



US00D815052S

(12) **United States Design Patent** (10) **Patent No.:** **US D815,052 S**
Schindler (45) **Date of Patent:** **** Apr. 10, 2018**

(54) **BUTTON BASED ACTUATOR**
(71) Applicant: **3p-d GmbH**, Ingolstadt (DE)
(72) Inventor: **Marc Schindler**, Ingolstadt (DE)
(73) Assignee: **nextLAP GmbH** (DE)
(**) Term: **15 Years**
(21) Appl. No.: **29/578,702**
(22) Filed: **Sep. 23, 2016**
(51) **LOC (11) Cl.** **13-03**
(52) **U.S. Cl.**
USPC **D13/162**
(58) **Field of Classification Search**
USPC D13/158, 162, 171; D14/188, 194, 214,
D14/226
CPC H05K 5/00; H05K 5/0017; H05K 5/02;
H05K 5/0247; H05K 5/03; H05K 5/06;
G06F 1/18; G06F 1/181
See application file for complete search history.

(56) **References Cited**
U.S. PATENT DOCUMENTS
D220,268 S * 3/1971 Kliewer D14/496
D513,737 S * 1/2006 Riley D13/162
D574,332 S * 8/2008 Filban D13/162
D597,529 S * 8/2009 Tan D14/214
D603,807 S * 11/2009 Mehnert D13/162
D630,193 S * 1/2011 Bennett D14/167
D720,303 S * 12/2014 Fischer D13/162
D721,350 S * 1/2015 Kim D14/188

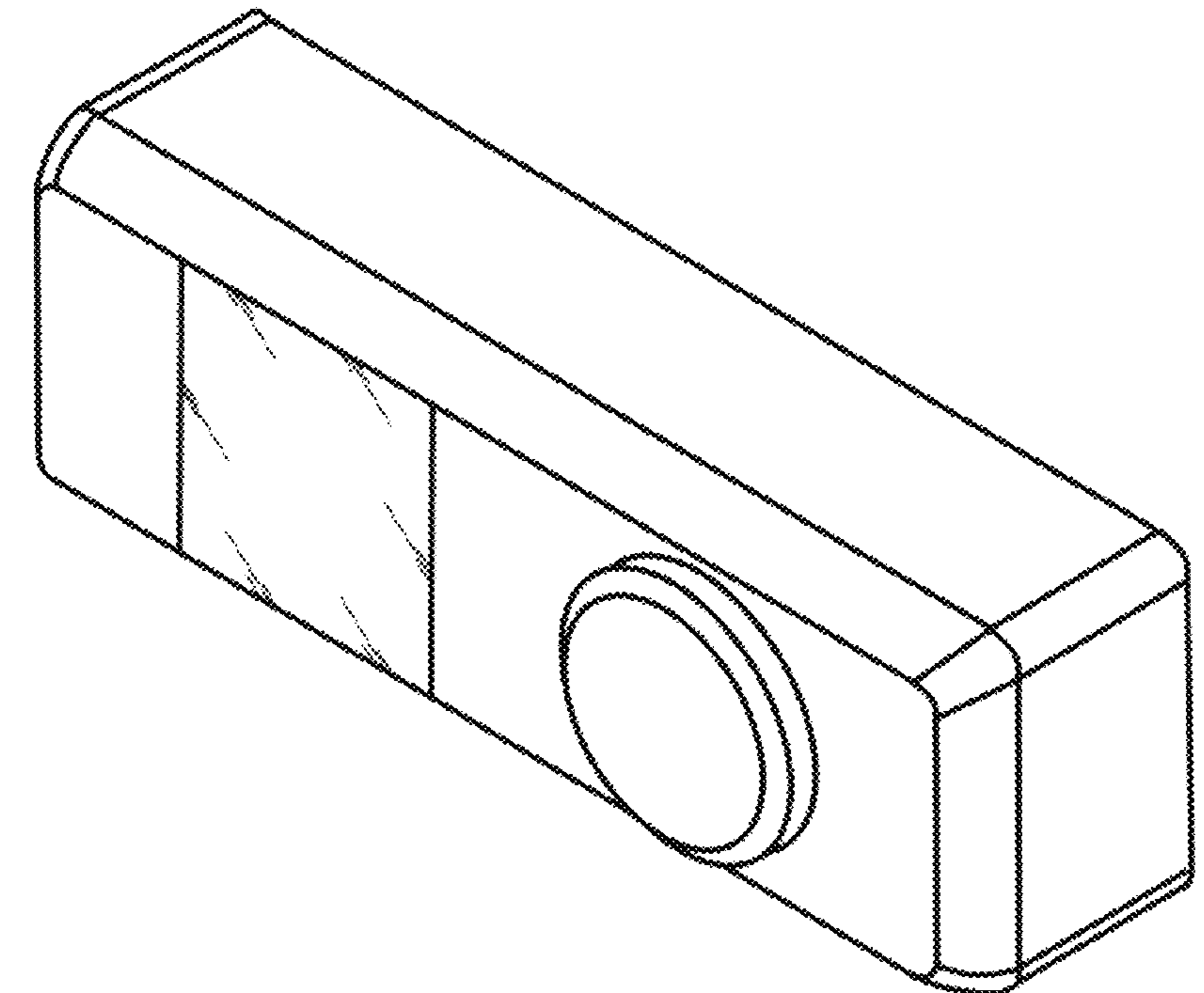
D741,268 S * 10/2015 Schmid D13/162
D742,851 S * 11/2015 Matthews D14/188
D784,296 S * 4/2017 Katsuno D14/218
2008/0259548 A1* 10/2008 Kim D06F 39/005
361/679.05
2015/0331441 A1* 11/2015 Ho H05K 5/0239
361/752
2016/0278219 A1* 9/2016 Ito H05K 5/0034
* cited by examiner

Primary Examiner — Selina Sikder
(74) *Attorney, Agent, or Firm* — Riverside Law LLP

(57) **CLAIM**
I claim the ornamental design for a button based actuator, as shown and described.

DESCRIPTION
FIG. 1 is a perspective view of a button based actuator.
FIG. 2 is a front view thereof;
FIG. 3 is a back view thereof;
FIG. 4 is top view thereof;
FIG. 5 is a bottom view thereof;
FIG. 6 is a right view thereof;
FIG. 7 is a left view thereof;
FIG. 8 is a perspective view thereof with broken lines showing holding clips attached to the button based actuator; and,
FIG. 9 is a perspective view thereof with broken lines showing a support rail to which the button based actuator is attached to.
The broken lines form no part of the claimed design.

1 Claim, 9 Drawing Sheets



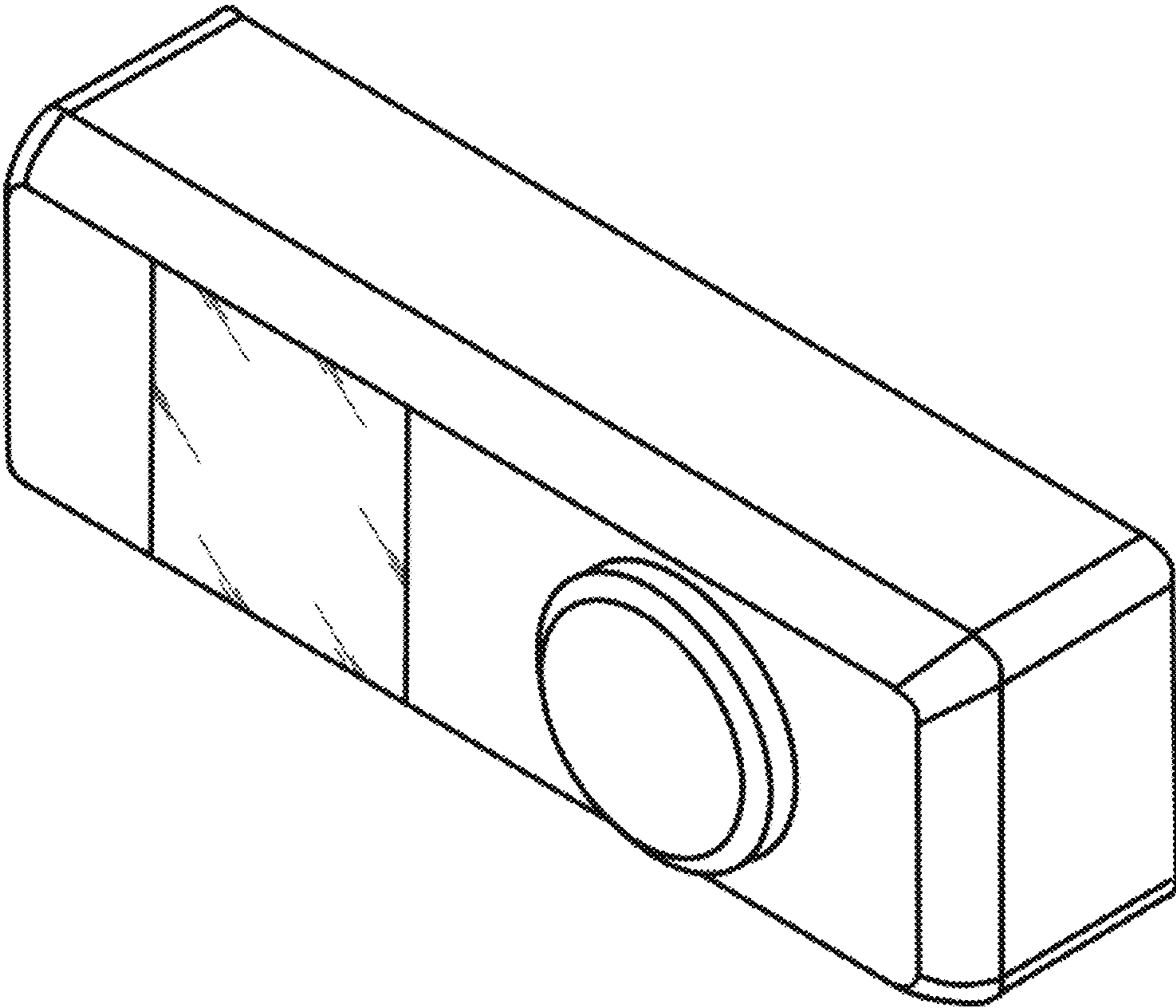


Figure 1

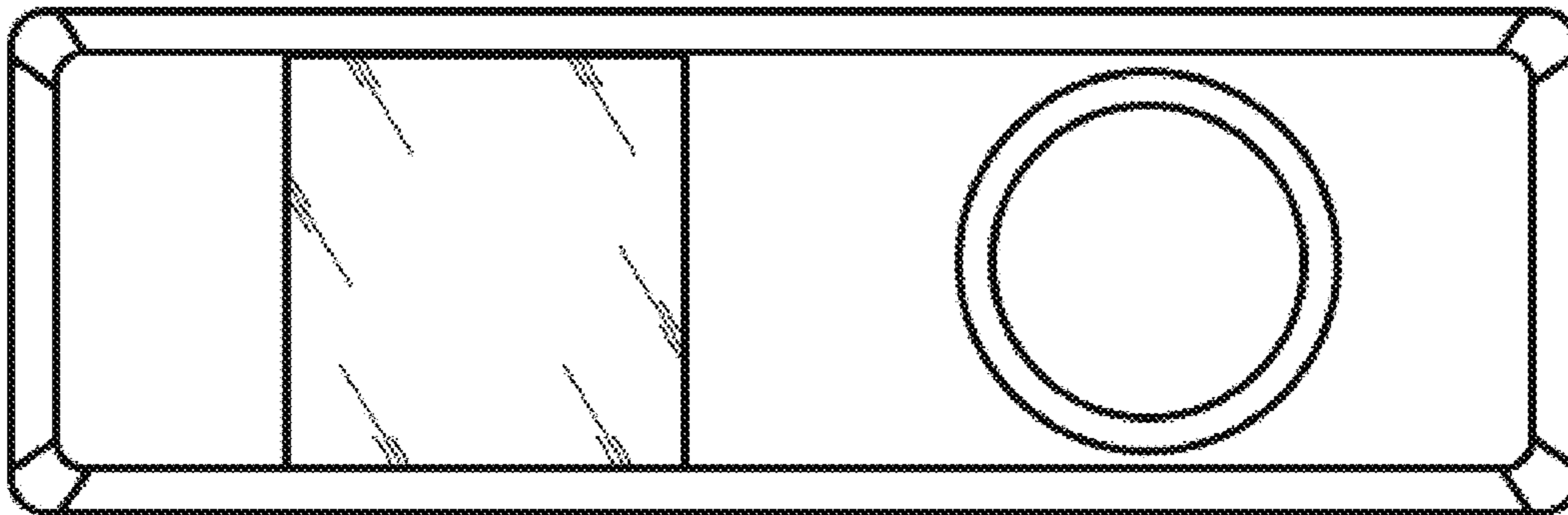


Figure 2

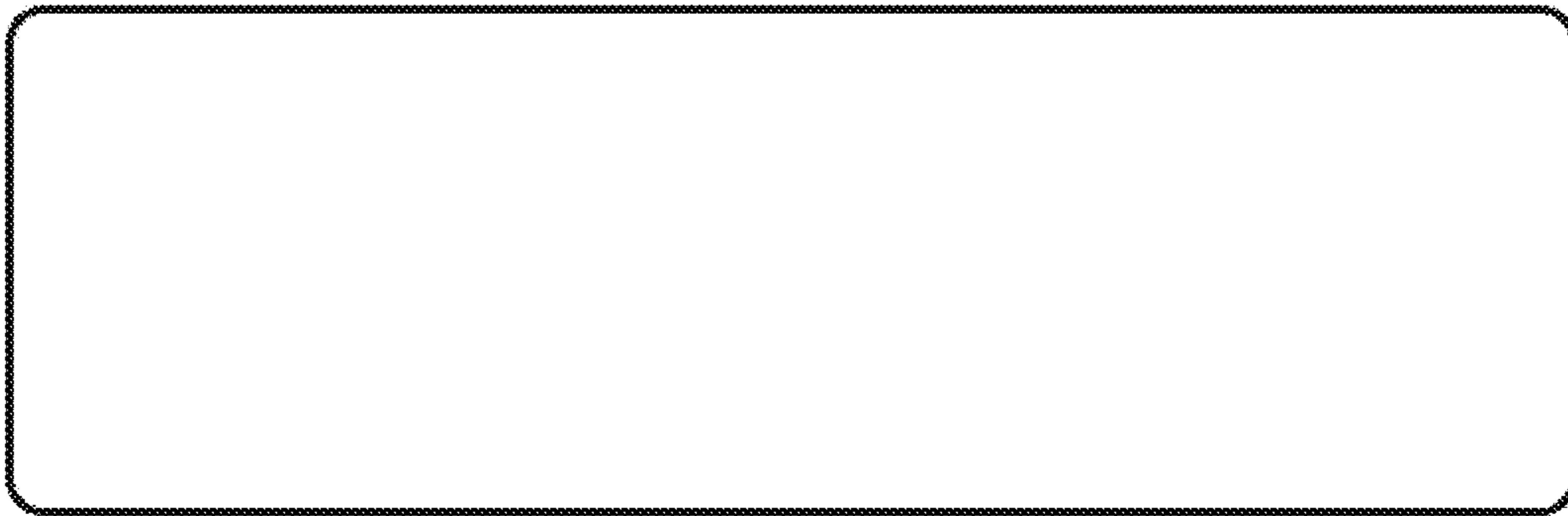


Figure 3

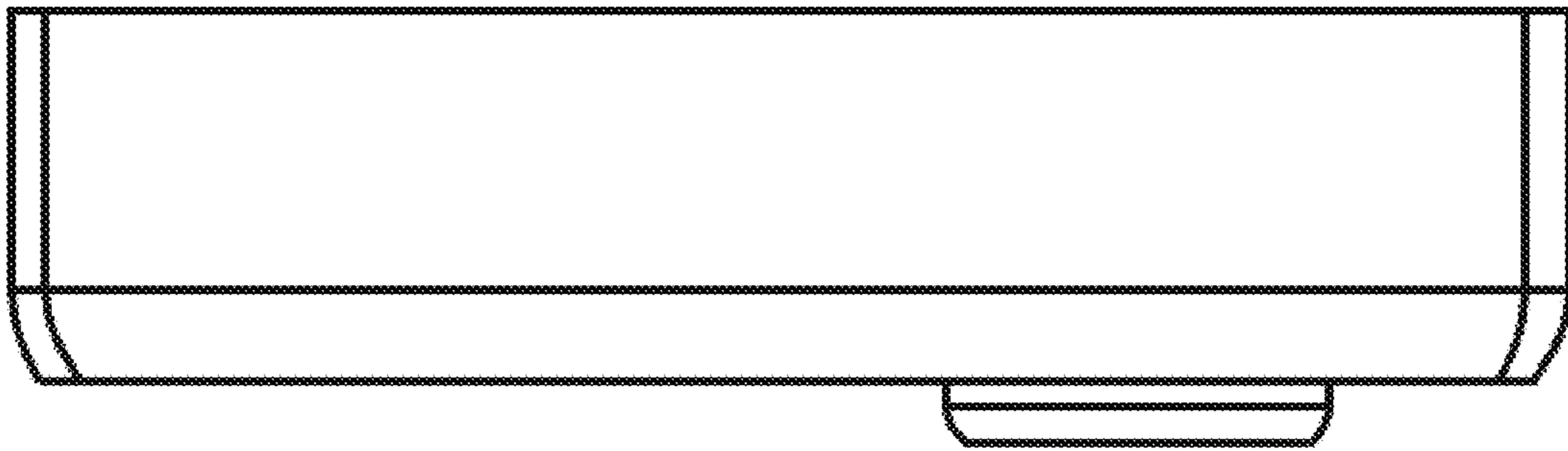


Figure 4

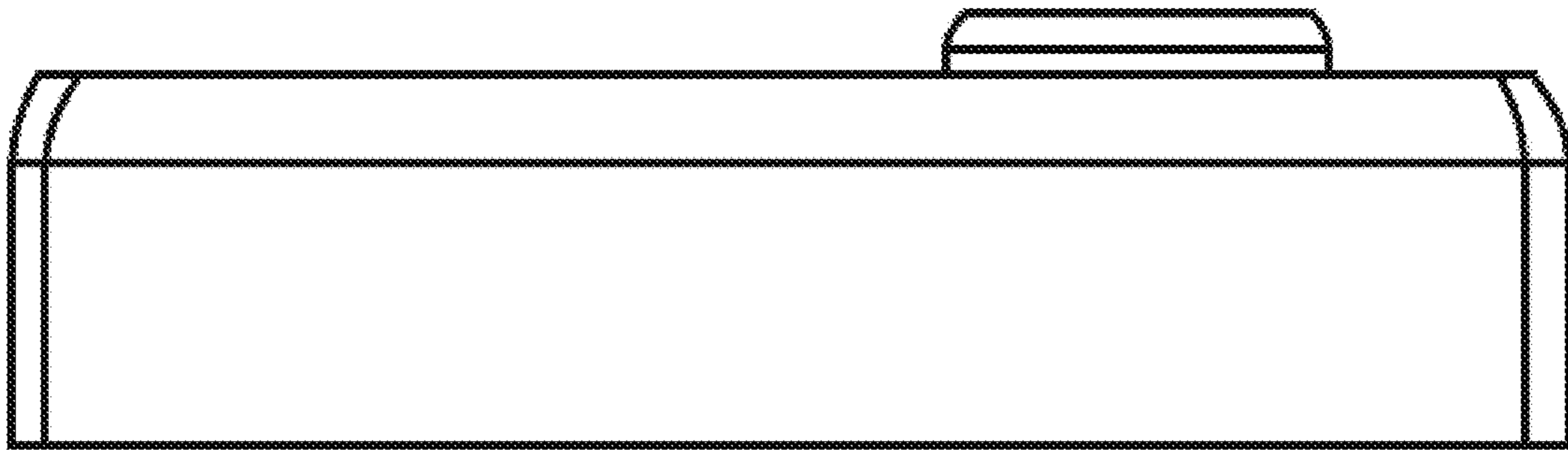


Figure 5

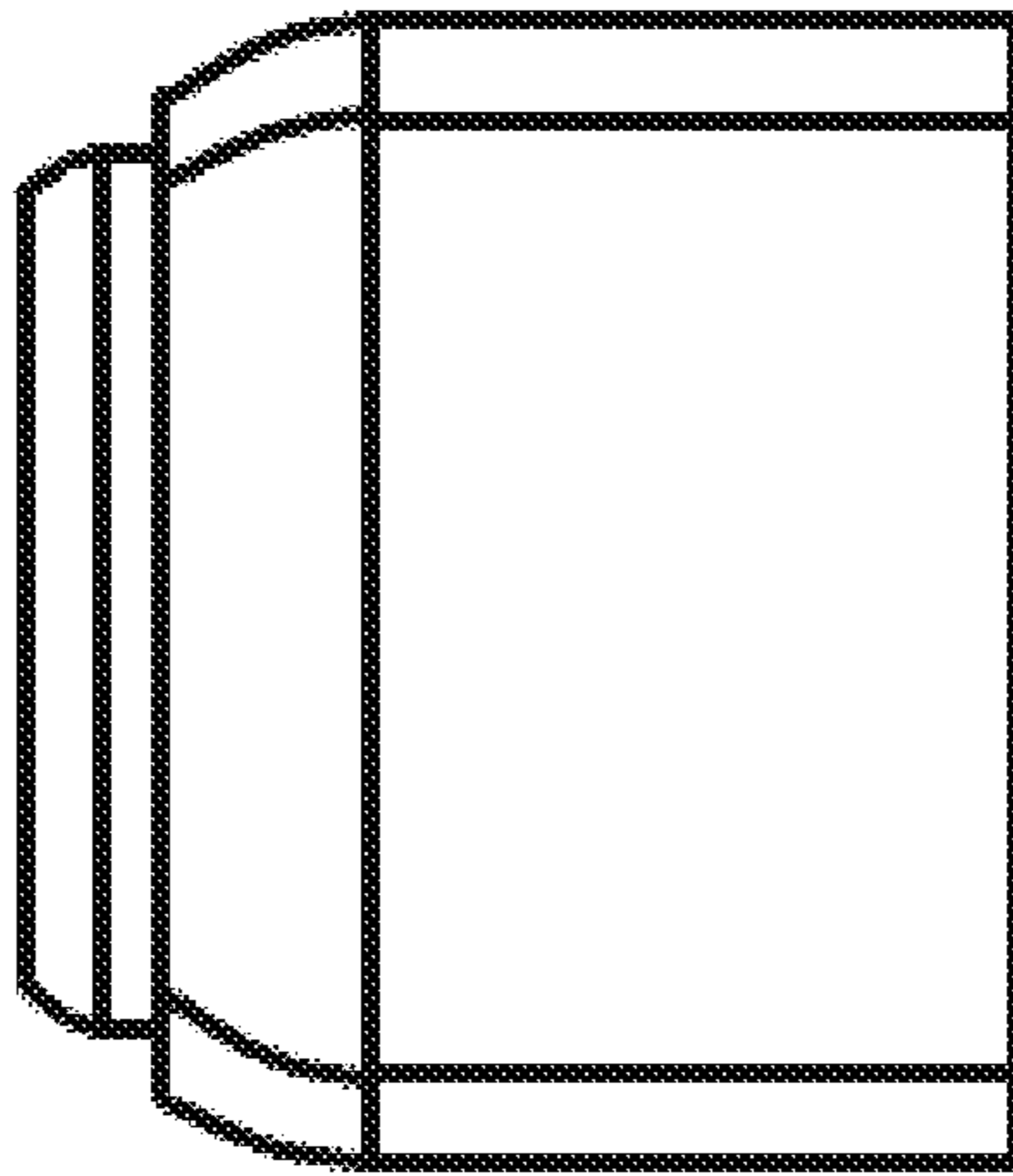


Figure 6

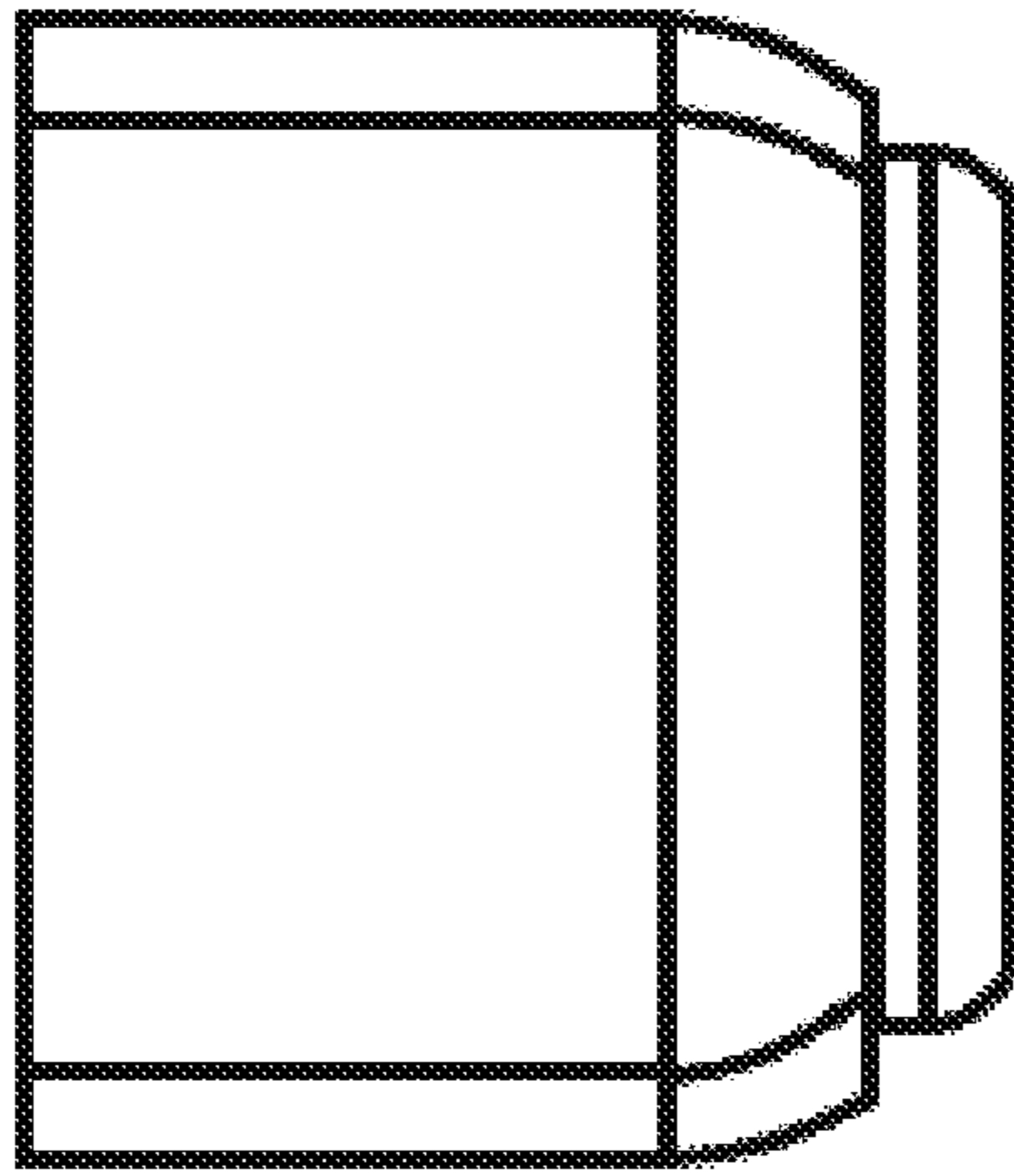


Figure 7

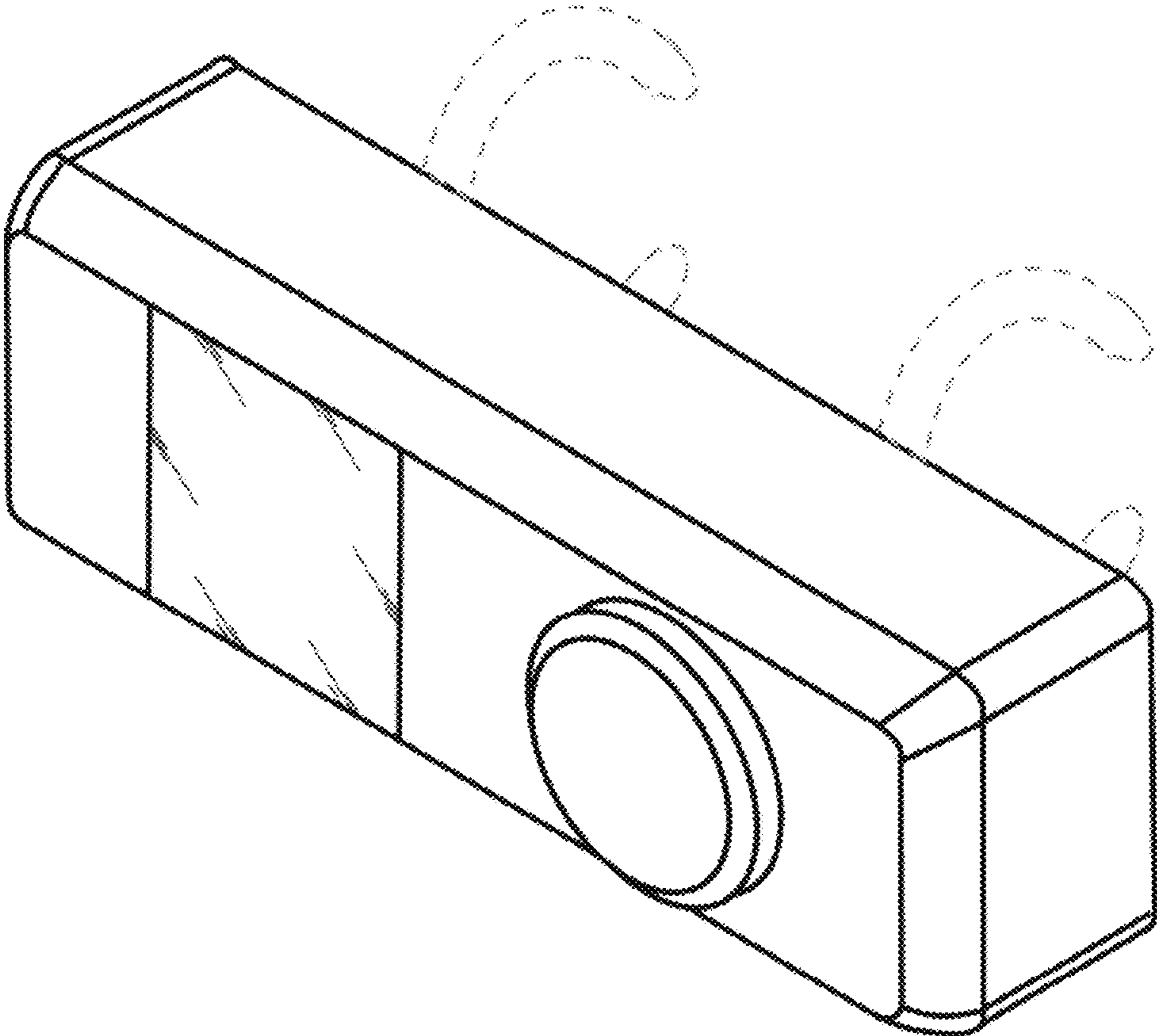


Figure 8

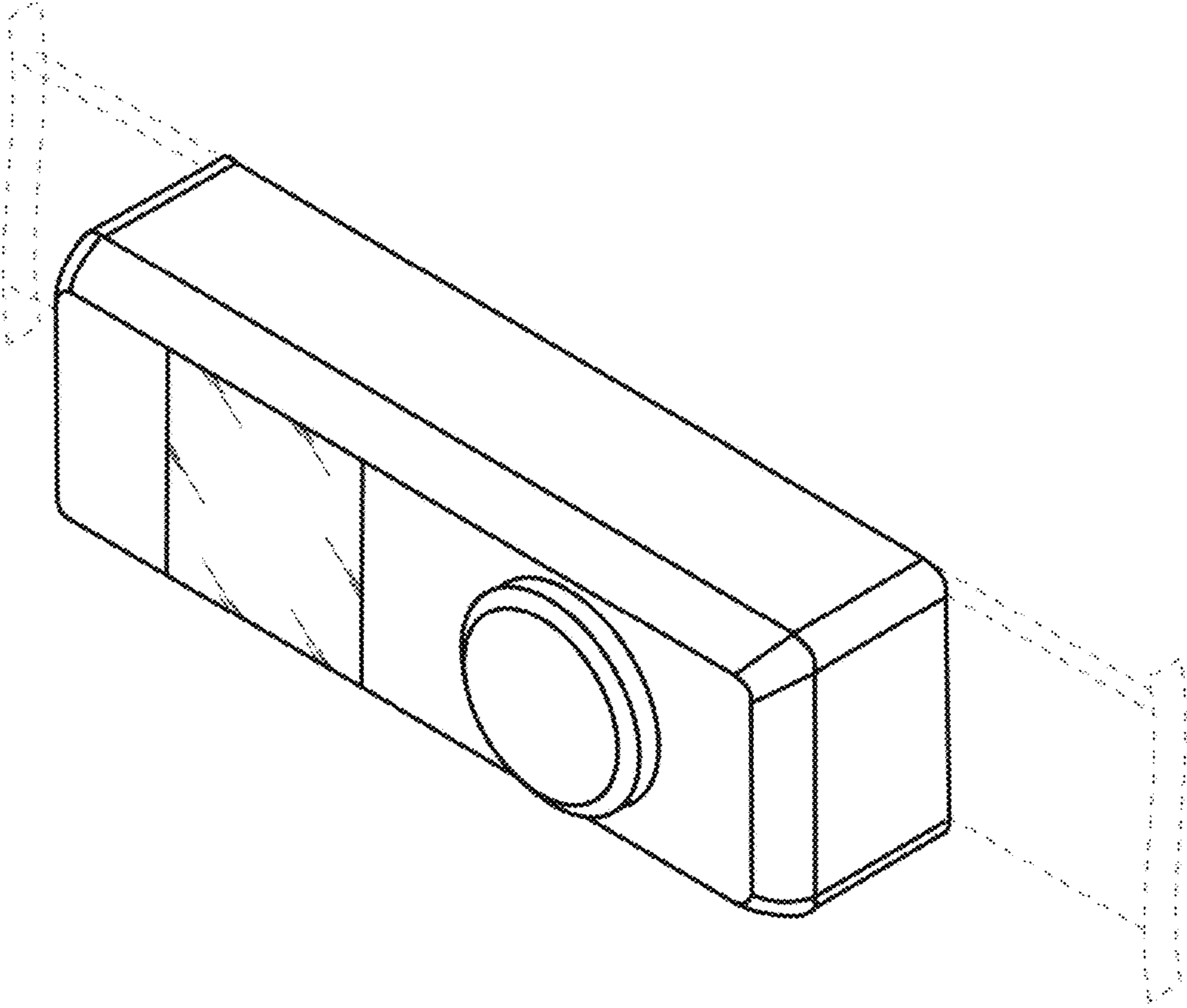


Figure 9