



US00D815049S

(12) **United States Design Patent** (10) **Patent No.:** **US D815,049 S**
Temblador et al. (45) **Date of Patent:** **** Apr. 10, 2018**

(54) **FLANGE WITH VERTICAL SLOT AND JACK**

364,434 A 6/1887 Pitmon
486,010 A 11/1892 Wirt
582,451 A 5/1897 Brandon
(Continued)

(71) Applicant: **SOUTHWIRE COMPANY, LLC**,
Carrollton, GA (US)

(72) Inventors: **Richard Mike Temblador**, Carrollton,
GA (US); **Myron Dale Deese**,
Carrollton, GA (US); **Harry William
Kent, Jr.**, Carrollton, GA (US); **Juan
Alberto Galindo Gonzalez**, Powder
Springs, GA (US); **James Philip
Tuggle**, Carrollton, GA (US); **Franklin
Clarence Calhoun**, Carrollton, GA
(US)

FOREIGN PATENT DOCUMENTS

CN 203922263 U 11/2014
FR 2425486 A1 12/1979
(Continued)

(73) Assignee: **Southwire Company, LLC**, Carrollton,
GA (US)

OTHER PUBLICATIONS

Non-Final Office Action dated Oct. 13, 2016 in U.S. Appl. No.
15/239,163, 13 pages.
(Continued)

(**) Term: **15 Years**

Primary Examiner — Daniel D Bui
(74) *Attorney, Agent, or Firm* — Shook, Hardy & Bacon
L.L.P.

(21) Appl. No.: **29/569,124**

(57) **CLAIM**
The ornamental design for a flange with vertical slot and
jack, as shown and described.

(22) Filed: **Jun. 23, 2016**

(51) **LOC (11) Cl.** **13-03**

(52) **U.S. Cl.**
USPC **D13/154; D13/155**

(58) **Field of Classification Search**
USPC D13/123, 133, 146, 147, 154, 155, 184,
D13/199
CPC B65H 16/02; B65H 23/06; H65H 49/26;
H65H 75/14; H65H 75/18; H65H 75/22;
H65H 75/30; H65H 75/40; H65H 75/44;
H65H 75/48

See application file for complete search history.

DESCRIPTION

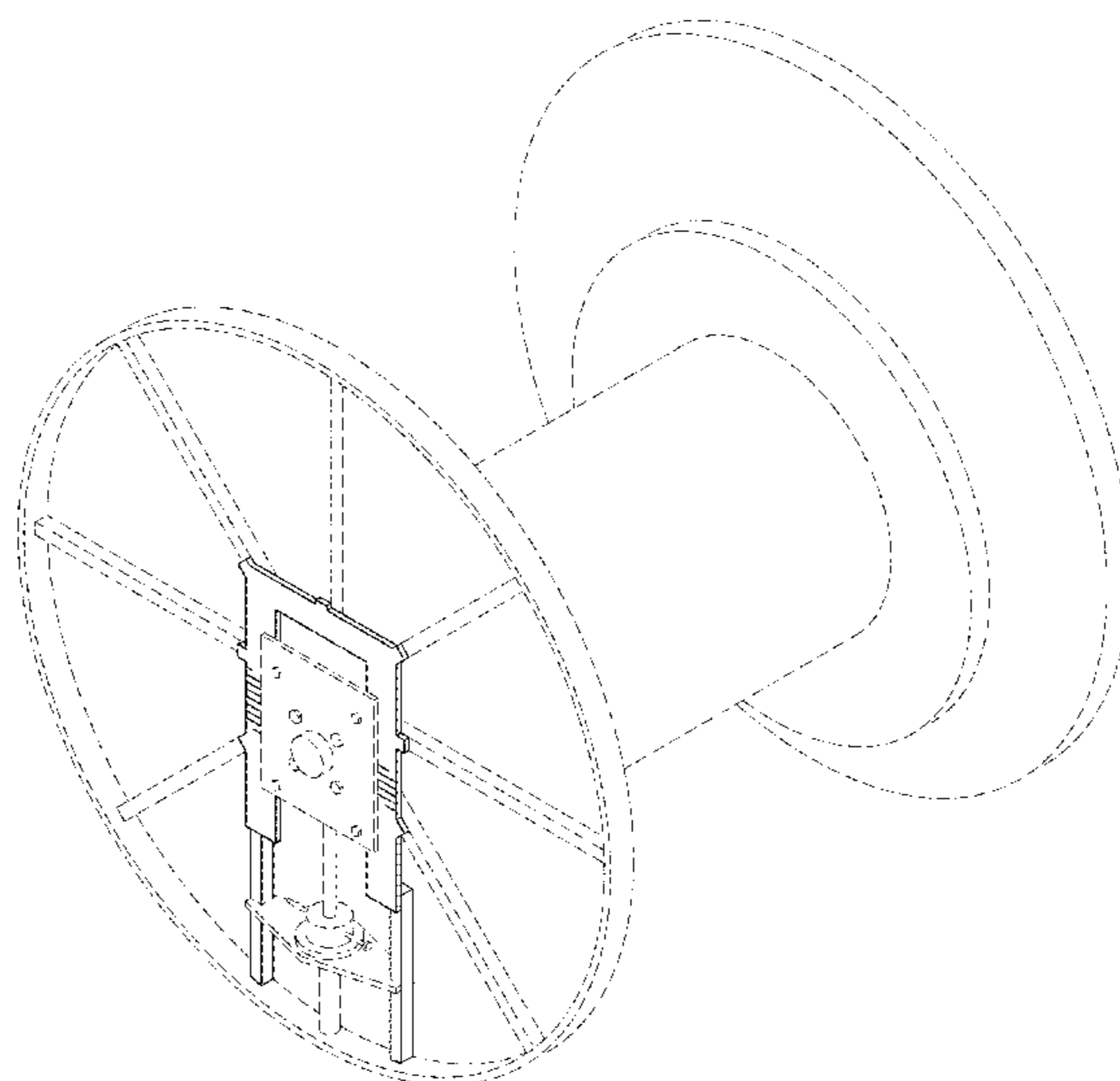
FIG. 1 is a top, front and right side perspective view of a
flange with vertical slot, in use condition showing our new
design;
FIG. 2 is a top, front and right side perspective view thereof;
FIG. 3 is a front elevational view thereof, and,
FIG. 4 is a back elevational view thereof.
The evenly spaced broken lines shown in the drawings are
directed to environment, are for informational purposes
only, and form no part of the claimed design.
The surface shading on the claimed portion is provided only
to indicate the character and/or any contour or curvature of
the surfaces. It does not indicate color, texture, markings that
actually exist thereon, indicia, graphic representations, sur-
face treatment, or any other ornamentation applied to the
article.

(56) **References Cited**

U.S. PATENT DOCUMENTS

220,460 A 10/1879 Yobk
308,411 A 11/1884 Harding

1 Claim, 3 Drawing Sheets



(56)

References Cited

U.S. PATENT DOCUMENTS

709,932 A 9/1902 Schooley
 1,353,541 A 9/1920 Retterer
 1,461,939 A 7/1923 Sager
 1,561,160 A 11/1925 Ingenthron
 1,661,991 A 3/1928 Benit
 1,726,137 A 8/1929 Bernal
 1,795,853 A 3/1931 Glass
 1,852,939 A 4/1932 Schmidt
 1,858,825 A 5/1932 Hescocock
 1,949,378 A 2/1934 Roehm
 1,961,376 A 6/1934 McIlvried
 2,132,043 A 10/1938 Oldham
 2,549,224 A 4/1951 Moldovan
 2,553,835 A 5/1951 Sachs
 2,707,599 A 5/1955 Snyder
 2,720,285 A 10/1955 Taylor
 2,960,857 A 11/1960 Winter
 3,009,667 A 11/1961 Browne
 3,152,772 A 10/1964 Schjervén
 3,207,456 A 9/1965 Hill
 3,298,667 A 1/1967 Grantham et al.
 3,393,790 A 7/1968 Dixon
 3,405,881 A 10/1968 Sanford et al.
 3,450,366 A 6/1969 Goldberg
 3,633,316 A 1/1972 Belser
 3,652,026 A 3/1972 Awebro
 3,762,100 A 10/1973 Kempel
 3,820,733 A 6/1974 Roederer
 3,822,841 A 7/1974 Campbell
 3,850,382 A 11/1974 Clingerman
 3,860,193 A 1/1975 Green et al.
 3,900,967 A 8/1975 Bursk et al.
 3,967,412 A 7/1976 Governale et al.
 3,976,260 A 8/1976 Irk
 3,997,127 A 12/1976 Kovaleski
 4,006,562 A 2/1977 Belanger et al.
 4,034,933 A 7/1977 Hara et al.
 4,047,751 A 9/1977 Koike et al.
 4,055,917 A 11/1977 Coller
 4,060,272 A 11/1977 Mori
 4,074,464 A 2/1978 McCay
 4,183,475 A 1/1980 Martija
 D254,595 S 4/1980 Hart
 4,224,766 A 9/1980 Procton
 4,226,383 A 10/1980 Douglas
 4,232,837 A 11/1980 Cutler et al.
 4,237,664 A 12/1980 Wilmes
 4,255,902 A 3/1981 Ruff
 4,287,684 A 9/1981 McKann
 4,290,233 A 9/1981 Hubbard
 4,298,174 A 11/1981 Kovaleski
 4,310,991 A 1/1982 Seely
 4,325,522 A 4/1982 Sauber
 4,352,258 A 10/1982 Bursk et al.
 4,447,012 A 5/1984 Woodruff
 4,492,405 A 1/1985 Chikaraishi et al.
 4,496,186 A 1/1985 Tuchiya et al.
 4,513,536 A 4/1985 Giguere et al.
 4,549,761 A 10/1985 Lee
 4,605,237 A 8/1986 Torgrimson
 4,626,026 A 12/1986 Hasegawa
 4,628,639 A 12/1986 Lownsdale
 4,686,793 A 8/1987 Mills
 4,716,683 A 1/1988 Minter
 4,726,147 A 2/1988 Beske et al.
 4,746,078 A 5/1988 Setzke
 4,747,561 A 5/1988 Sweeny et al.
 4,784,221 A 11/1988 Share et al.
 4,807,923 A 2/1989 Nakamura
 4,825,507 A 5/1989 Killingstad
 4,831,779 A 5/1989 Kehrli et al.
 4,919,471 A 4/1990 Seino et al.
 4,948,064 A 8/1990 Richard
 5,040,739 A 8/1991 Wolf et al.
 5,060,882 A 10/1991 Rousculp et al.

5,113,976 A 5/1992 Noakes
 D347,988 S 6/1994 Thorne
 D354,572 S 1/1995 Headrick
 5,490,805 A 2/1996 Bredesen
 5,611,173 A 3/1997 Headrick et al.
 D385,525 S 10/1997 Beavers et al.
 5,752,670 A 5/1998 Lasecki et al.
 6,105,604 A 8/2000 Furness
 6,122,864 A 9/2000 Martin
 6,138,413 A 10/2000 Fehr
 6,161,343 A 12/2000 Young
 6,193,185 B1 2/2001 Kim
 6,299,100 B1 10/2001 Cloud
 6,305,409 B1 10/2001 Furness
 6,318,665 B1 11/2001 King
 6,435,450 B1 8/2002 Shields et al.
 D488,243 S 4/2004 Babka
 6,978,960 B2 12/2005 Schaller
 7,594,771 B2 9/2009 Mindler
 D613,231 S 4/2010 Anderson et al.
 7,874,511 B2 1/2011 Chiorgno et al.
 8,016,267 B2 9/2011 Jordan et al.
 8,245,965 B2 8/2012 Andrea et al.
 8,403,345 B2 3/2013 Iossa et al.
 8,444,078 B1 5/2013 Brown et al.
 8,602,341 B2 12/2013 Land
 8,616,485 B2 12/2013 Iossa
 9,004,392 B1 4/2015 Bigbee, Jr. et al.
 9,016,607 B2 4/2015 Wong et al.
 9,027,908 B1 5/2015 Calhoun et al.
 D742,733 S * 11/2015 Galindo Gonzalez D8/396
 D787,024 S * 5/2017 Ball E03C 1/262
 D23/259
 2007/0114039 A1 5/2007 Hobdy et al.
 2007/0181739 A1 8/2007 Derendal
 2007/0257146 A1 11/2007 Fleming
 2008/0048063 A1 2/2008 Wells et al.
 2010/0044490 A1 2/2010 Fleming
 2011/0162916 A1 7/2011 Saliger et al.
 2012/0199683 A1 8/2012 Cox et al.
 2012/0223179 A1 * 9/2012 Galindo Gonzalez . B65H 49/32
 242/598.5
 2015/0291385 A1 10/2015 Watkins
 2015/0321876 A1 11/2015 Galindo Gonzalez et al.

FOREIGN PATENT DOCUMENTS

GB 711140 6/1954
 GB 719830 12/1954
 GB 1048101 A 11/1966
 JP 60052444 A 3/1985
 JP 5127317 A 5/1993
 WO 03035529 A1 5/2003

OTHER PUBLICATIONS

Non-Final Office Action dated Nov. 15, 2016 in U.S. Appl. No. 15/287,429, 16 pages.
 Notice of Allowance dated Dec. 2, 2016 in U.S. Appl. No. 15/239,163, 9 pages.
 International Search Report with Written Opinion dated Nov. 7, 2016 in PCT Application No. PCT/US16/47592, 12 pages.
 Corrected Notice of Allowability dated Feb. 27, 2017 in U.S. Appl. No. 15/239,163, 2 pages.
 Notice of Allowance dated Mar. 15, 2017 in U.S. Appl. No. 15/482,025, 9 pages.
 Encore Wire Corporation, Reel Payoff, Copyright 2013 Encore Wire Corporation, 1 page.
 Bchlumpf USA, SDE Pneumatic Core Chucks, 1 page. Last Accessed Sep. 17, 2015 <http://www.schlumpf-inc.com/products/chucks/pneumatic-core-chucks/>.
 Tidland Raptor Series Air Powered Lug Chucks, Copyright 2015 Maxcess International, Inc., 5 pages. Last Accessed Sep. 17, 2015 <http://www.maxcessintl.com/core-chucks/tidland-raptor-series-air-powered-lug-chucks>.

(56)

References Cited

OTHER PUBLICATIONS

Double E Company, Core Chucks, DF-2000 Torque Activated Core Chucks, Copyright 2015 Double E Company L.L.C., 5 pages. Last Accessed Sep. 17, 2015 <http://ee-co.com/products/torque-activated-shaffless-core-chucks>.

Double E Company, Core Chucks, PC-4000 Torque-Independent Core Chucks, Copyright 2015 Double E Company L.L.C., 2 pages. Last Accessed Sep. 17, 2015 <http://ee-co.com/produts/pc4000-torque-independent-core-chuck>.

Wire Wizard Dereeling Arms Specification Sheets, 2 pages. Last Accessed Sep. 17, 2015 http://www.wire-wizard.com/spec_sheets/DereelingArms_11-5-12.pdf.

Southwire Reel Data, Copyright 2014, Southwire Company, 5 pages.

PC-4000 Torque Independent Core Chuck, The DoubleECompany. <https://youtu.be/FdFTirmJ2SE> (:35-:60),

DF-2000 Torque Activated Shafless Core Chucks, The DoubleECompany https://youtu.be/X_LKv4iaiig (:40-:60).

Servicing Tidland Raptor Series Air Powered Chucks, Maxcess Webex, Fife, Tidland, MAGPOWR <https://youtu.be/JfRUJHOSE-U> (:40-:60).

MP J02 Maxis Pro-Jax Reel Stands, Southwire Company, LLC <http://www.southwiretools.com/tools/tools/MPJ02>.

Maxis ProJax, Southwire Company, LLC <https://www.youtube.com/watch?v=8f2VIYwfeeY> (2:00-2:07; 1:49-1:53; and 2:40-3:04).

Maxis Pro Jax Reel Stands, SchellCompany <https://www.youtube.com/watch?v=UZZHRy7Q9vs> (:19-:24).

DTS1 Drum Tip Stand, SEB International, Retrieved on Apr. 6, 2016 from: <http://www.sebinternational.com/shop.php?sec=prod&prod=75>.

Lever Action Cable Reel Jack, WCT Products, Retrieved on Apr. 6, 2016 from: <http://www.wctproducts.com/products/reels/lever-action-reel-jack.php>.

Cable Reel Trolley—Large, Brandon Tool Hire, Retrieved on Apr. 6, 2016 from: <http://www.brandontoolhire.co.uk/en/moving-and-winchng/672-cable-reel-trolley-large.html>.

McMaster-Carr Catalog, Ball Bearings, available at <http://www.mcmaster.com/#r6-ball-bearings/=12hbnve>.

Encore Wire Corporation YouTube.com video for Reel Payoff®, published on Feb. 6, 2013, retrieved on May 23, 2016 from <https://www.youtube.com/watch?v=KnXJGTtWY0E>.

Non-Final Office Action dated Dec. 12, 2011 in U.S. Appl. No. 12/604,883, 11 pages.

Notice of Allowance dated Apr. 16, 2012 in U.S. Appl. No. 12/604,883, 7 pages.

Non-Final Office Action dated Dec. 22, 2015 in U.S. Appl. No. 14/198,348, 10 pages.

Non-Final Office Action dated Apr. 25, 2016 in U.S. Appl. No. 14/193,348, 9 pages.

Notice of Allowance dated Jul. 8, 2015 in Design U.S. Appl. No. 29/488,243, 8 pages.

* cited by examiner

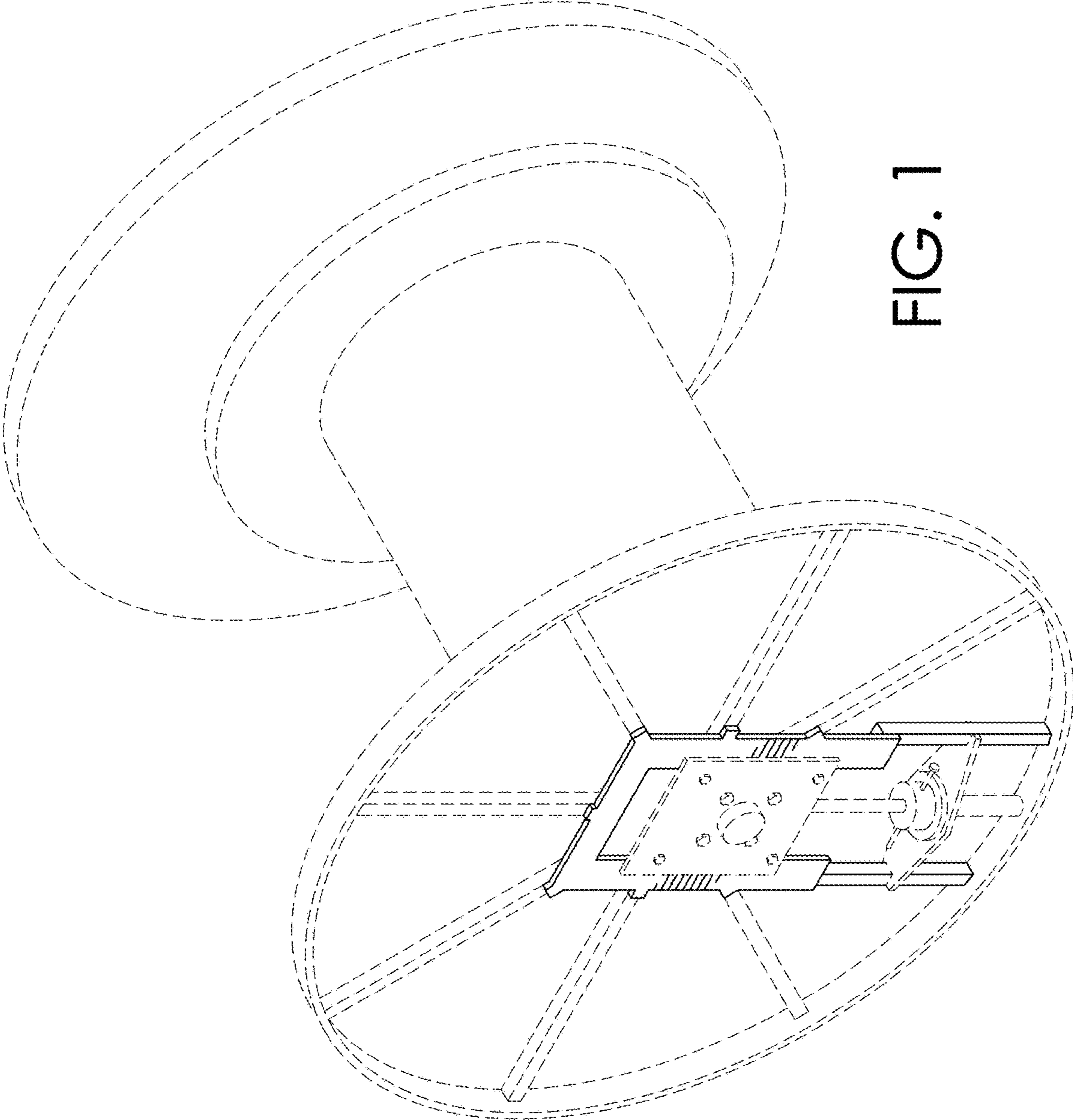


FIG. 1

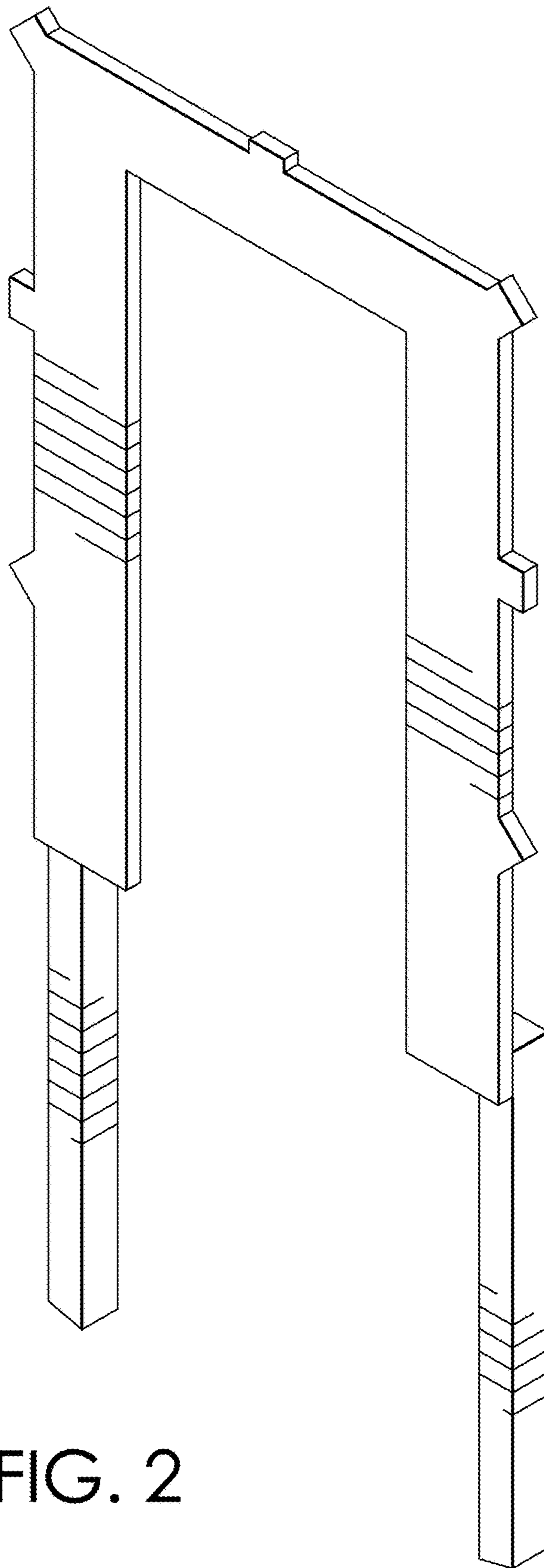


FIG. 2

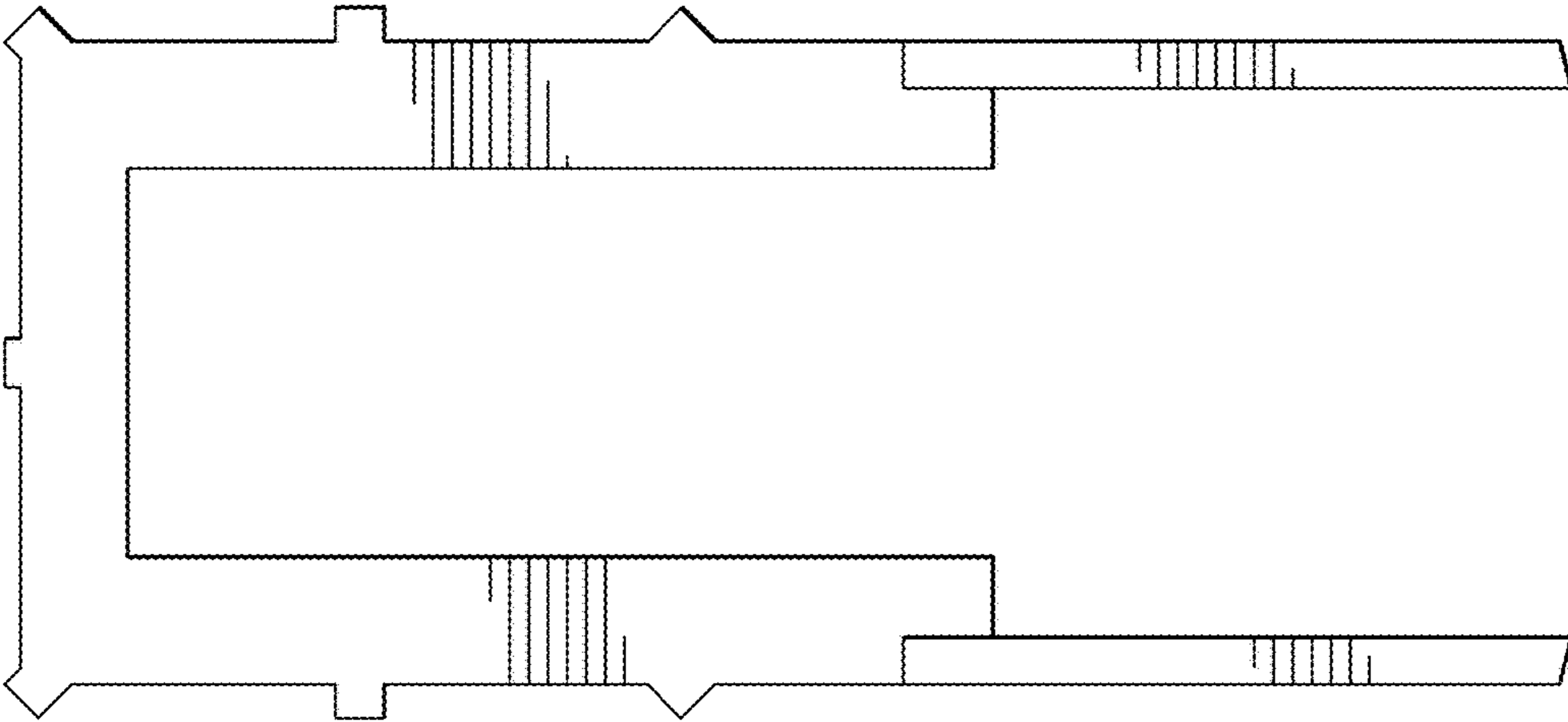


FIG. 4

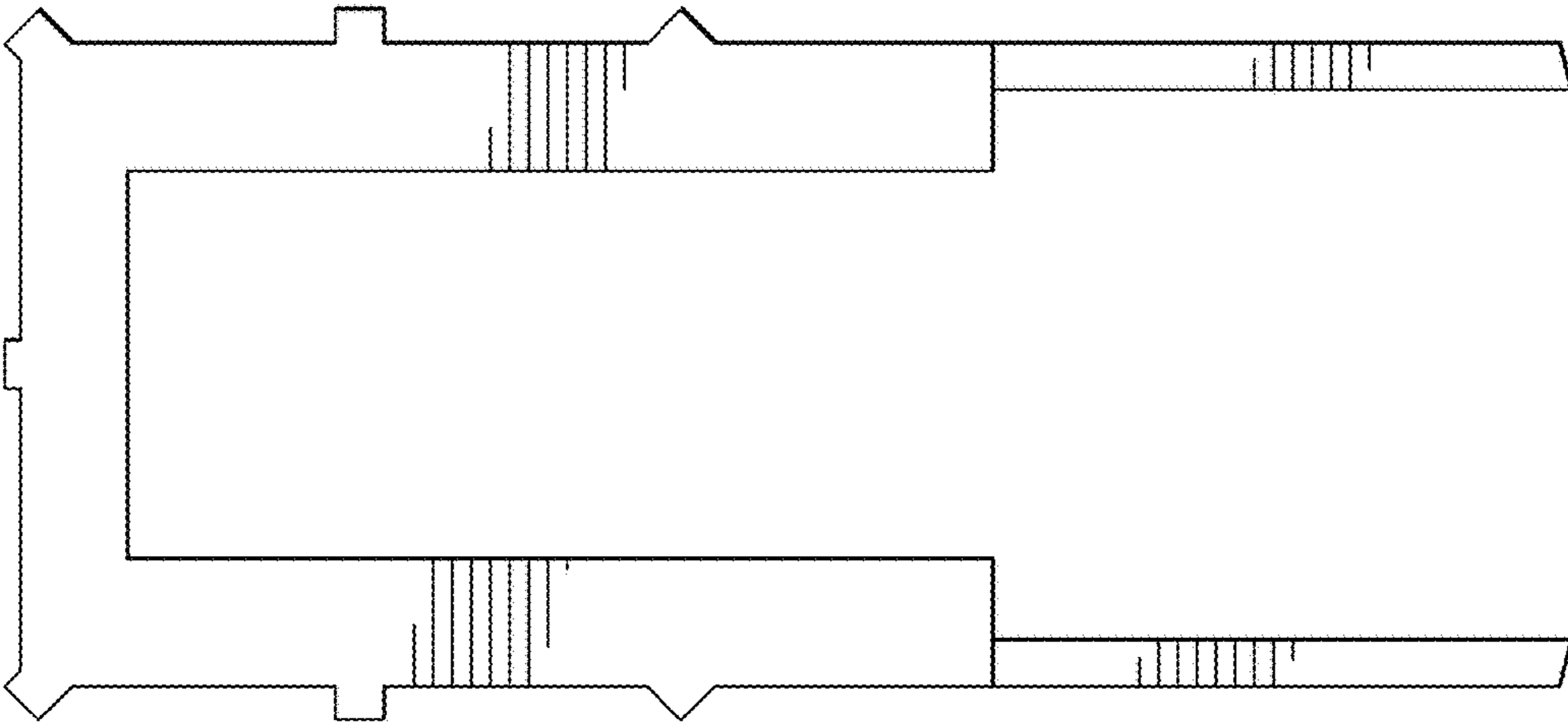


FIG. 3