



US00D815048S

(12) **United States Design Patent**
Lee

(10) **Patent No.:** **US D815,048 S**
(45) **Date of Patent:** **** Apr. 10, 2018**

(54) **ELECTRICAL CONNECTOR WITH METAL RINGS**

D522,462 S * 6/2006 Kondas D13/147
D736,712 S * 8/2015 Lee D13/147
D736,714 S * 8/2015 Mongold D13/147

(71) Applicant: **BELLWETHER ELECTRONIC CORP**, Taoyuan (TW)

* cited by examiner

(72) Inventor: **Hsing-Yu Lee**, Taoyuan (TW)

Primary Examiner — Daniel Bui

(73) Assignee: **BELLWETHER ELECTRONIC CORP**, Taoyuan (TW)

(74) *Attorney, Agent, or Firm* — Li & Cai Intellectual Property (USA) Office

(**) Term: **15 Years**

(57) **CLAIM**

(21) Appl. No.: **29/568,876**

The ornamental design for an “electrical connector with metal rings,” as shown and described.

(22) Filed: **Jun. 22, 2016**

(30) **Foreign Application Priority Data**

DESCRIPTION

May 30, 2016 (TW) 105303063

(51) **LOC (11) Cl.** **13-03**

(52) **U.S. Cl.**
USPC **D13/154**; D13/147; D13/156

(58) **Field of Classification Search**
USPC D13/147, 148, 149, 154, 155, 156, 184, D13/199

CPC H01R 7/08; H01R 12/71; H01R 12/77; H01R 13/6597; H01R 13/66; H01R 24/76; H01R 43/02; H01R 43/04; H01R 43/20

See application file for complete search history.

FIG. 1 is a perspective view of an electrical connector with metal rings showing our new design;
FIG. 2 is a front elevation view thereof;
FIG. 3 is a rear elevation view thereof;
FIG. 4 is a left side elevation view thereof;
FIG. 5 is a right side elevation view thereof;
FIG. 6 is a top plan view thereof;
FIG. 7 is a bottom plan view thereof; and
FIG. 8 is a perspective exploded view thereof; and,
FIG. 9 is a cross-sectional view along line IX-IX of FIG. 8 thereof.

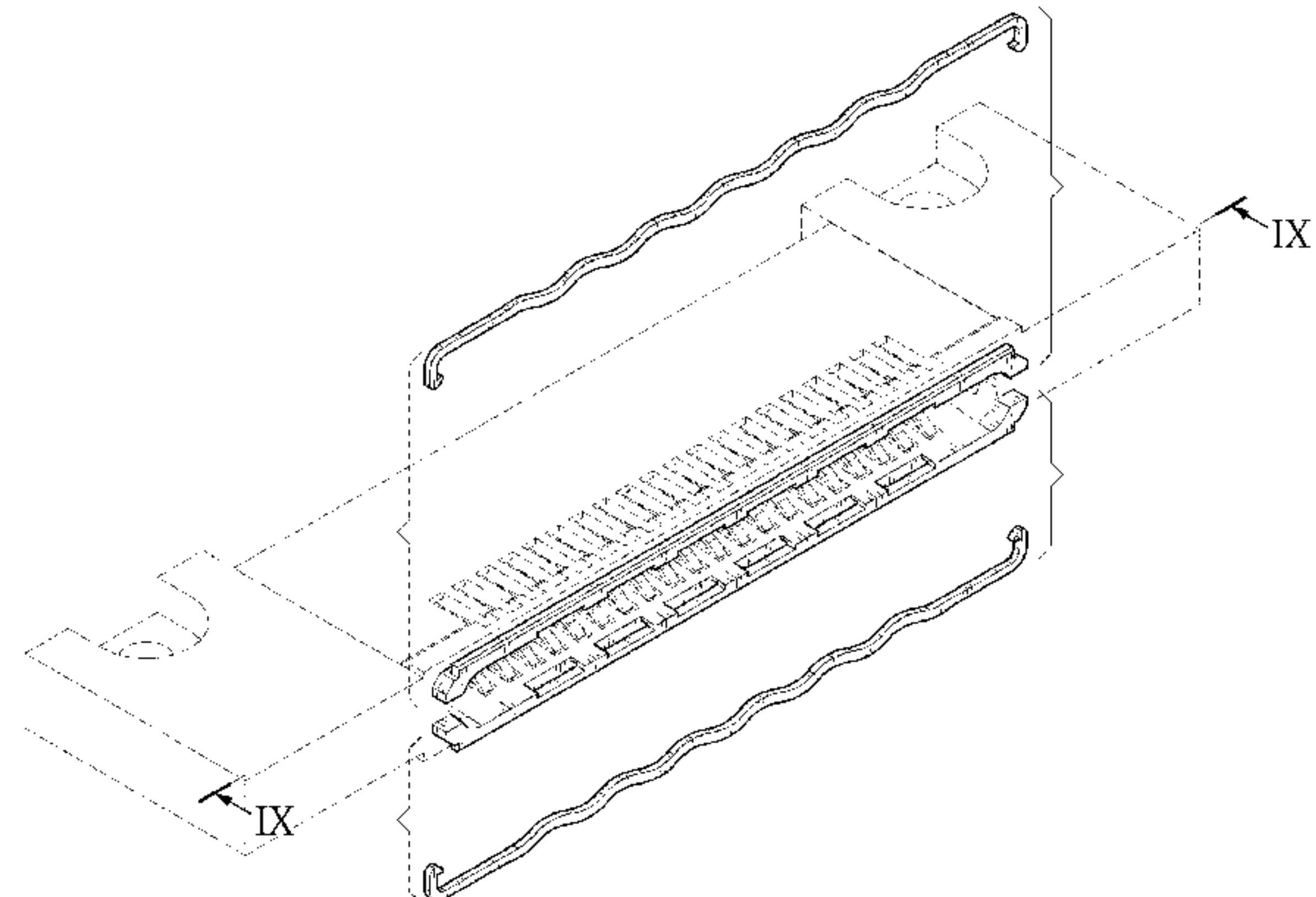
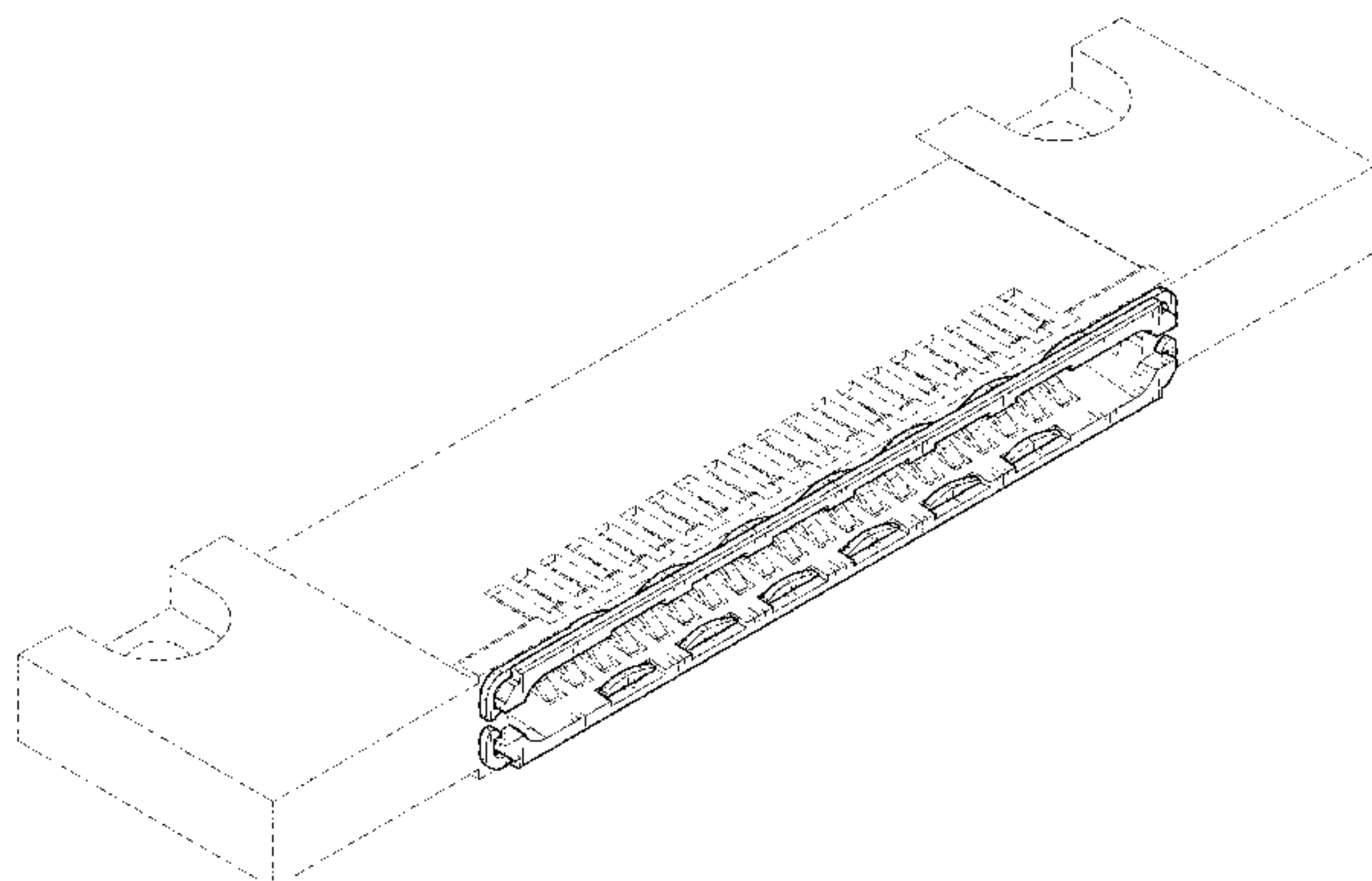
The broken line showing of the environment is for illustrative purposes only and forms no part of the claimed design.

(56) **References Cited**

U.S. PATENT DOCUMENTS

D238,178 S * 12/1975 Kinman 174/68.3
D336,284 S * 6/1993 Pruett D13/154

1 Claim, 6 Drawing Sheets



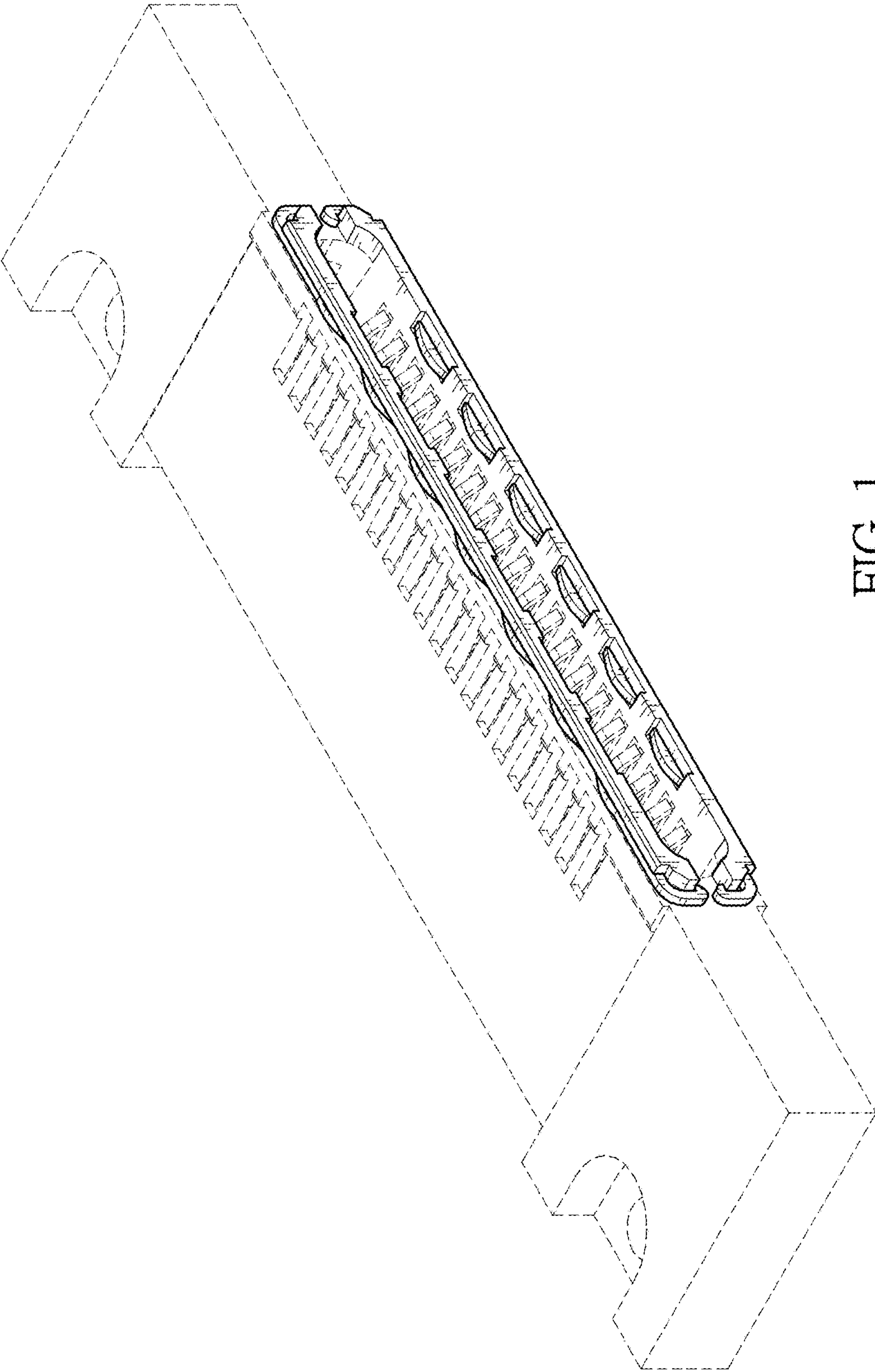


FIG. 1

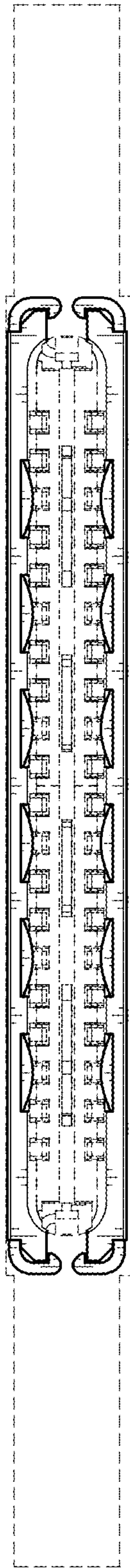


FIG. 2

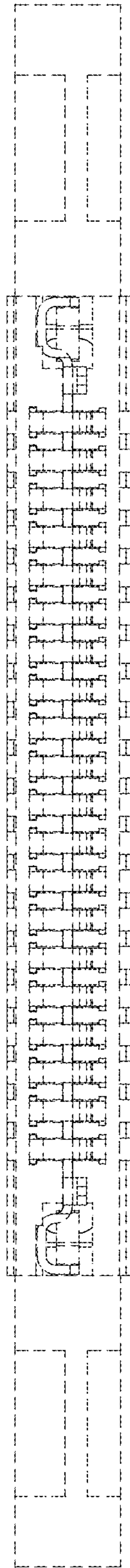


FIG. 3

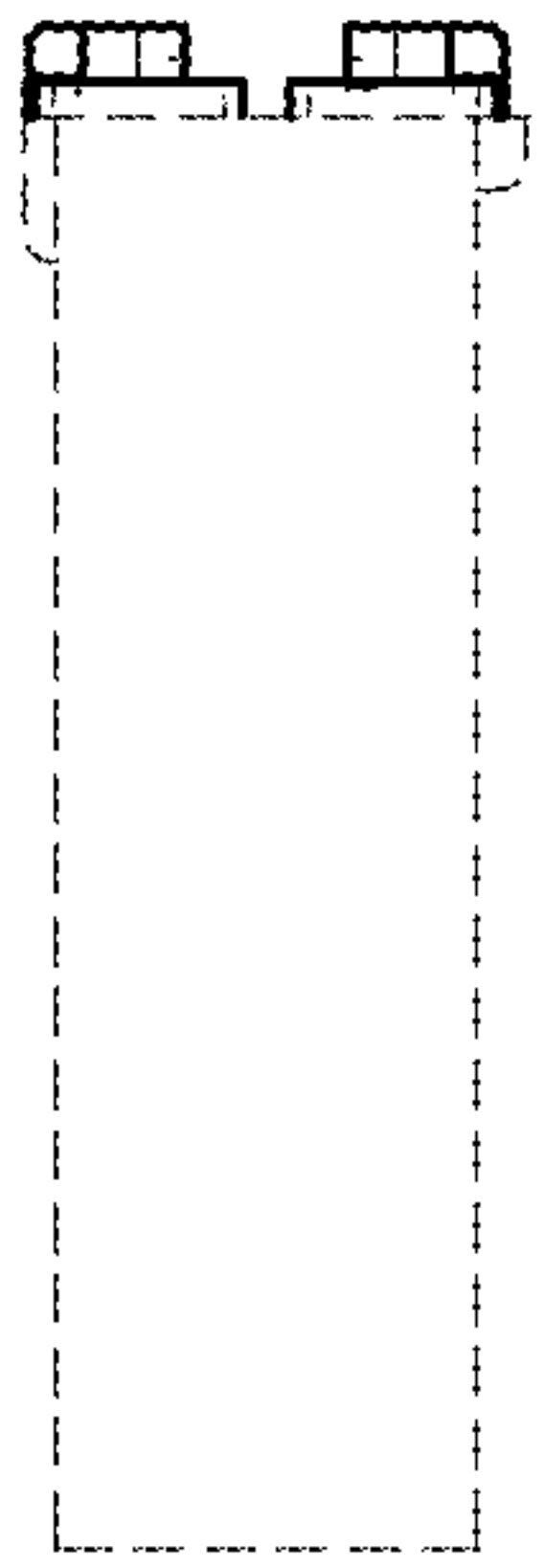


FIG. 4

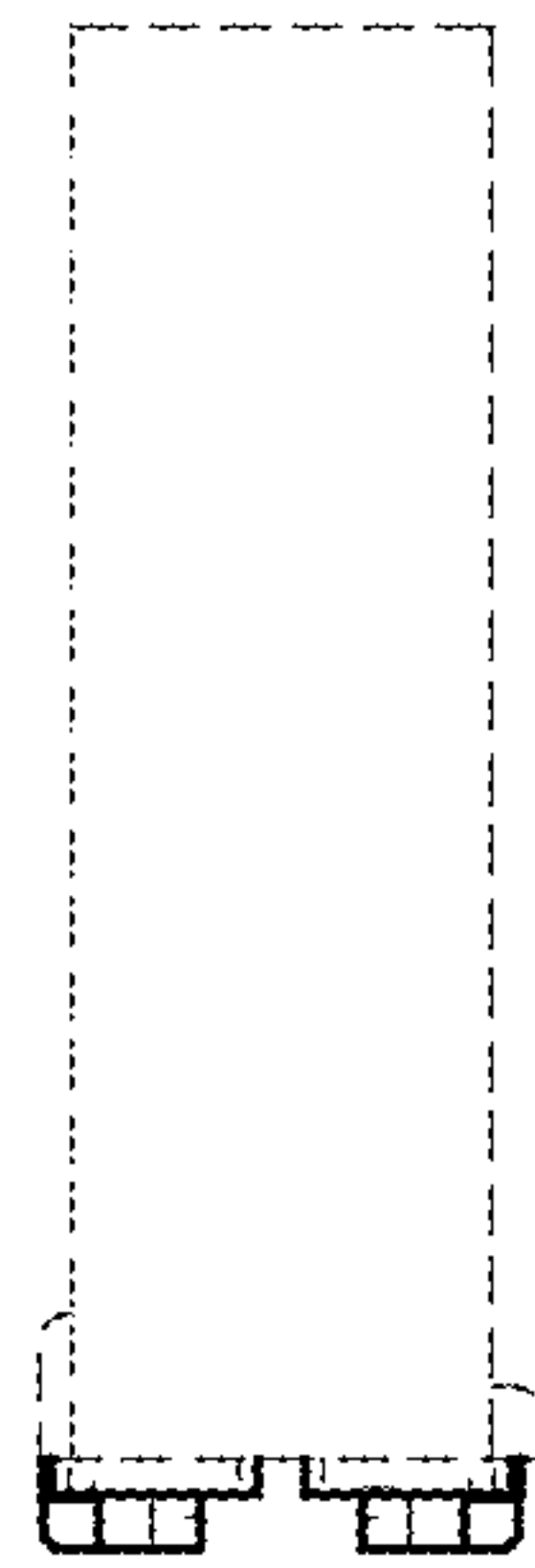


FIG. 5

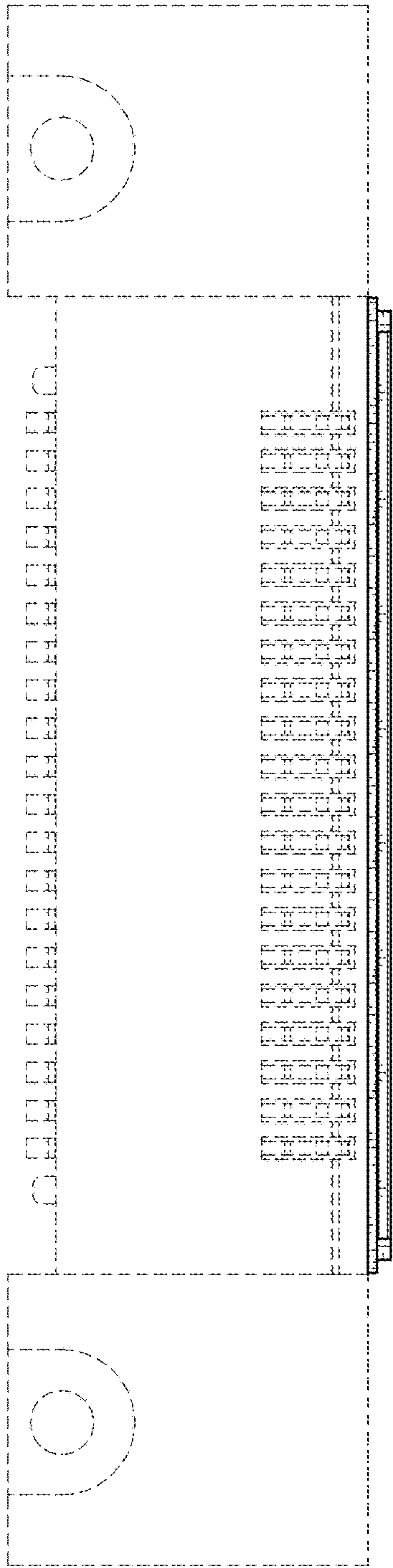


FIG. 6

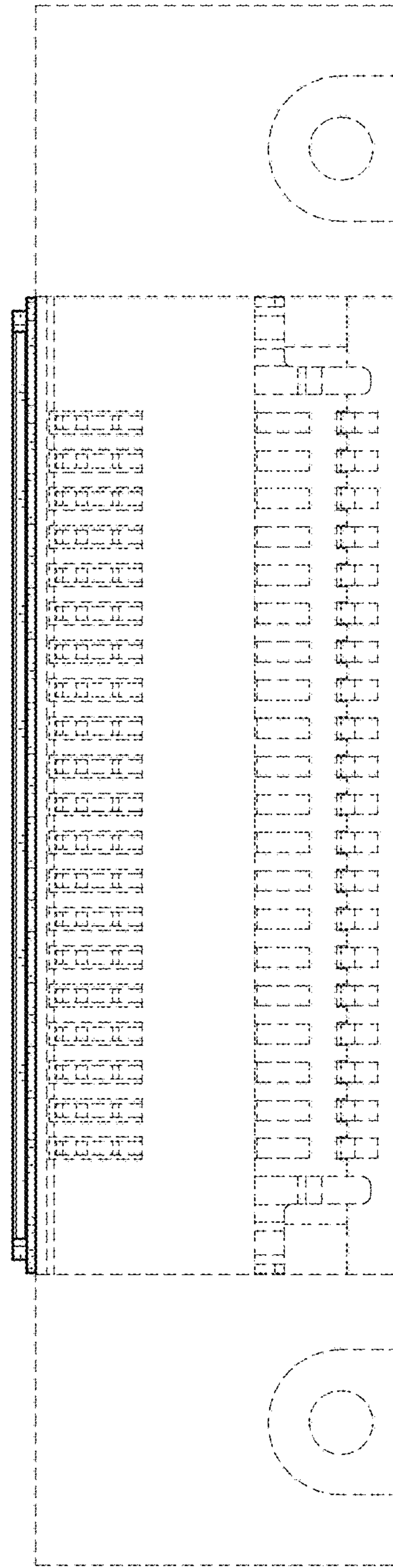


FIG. 7

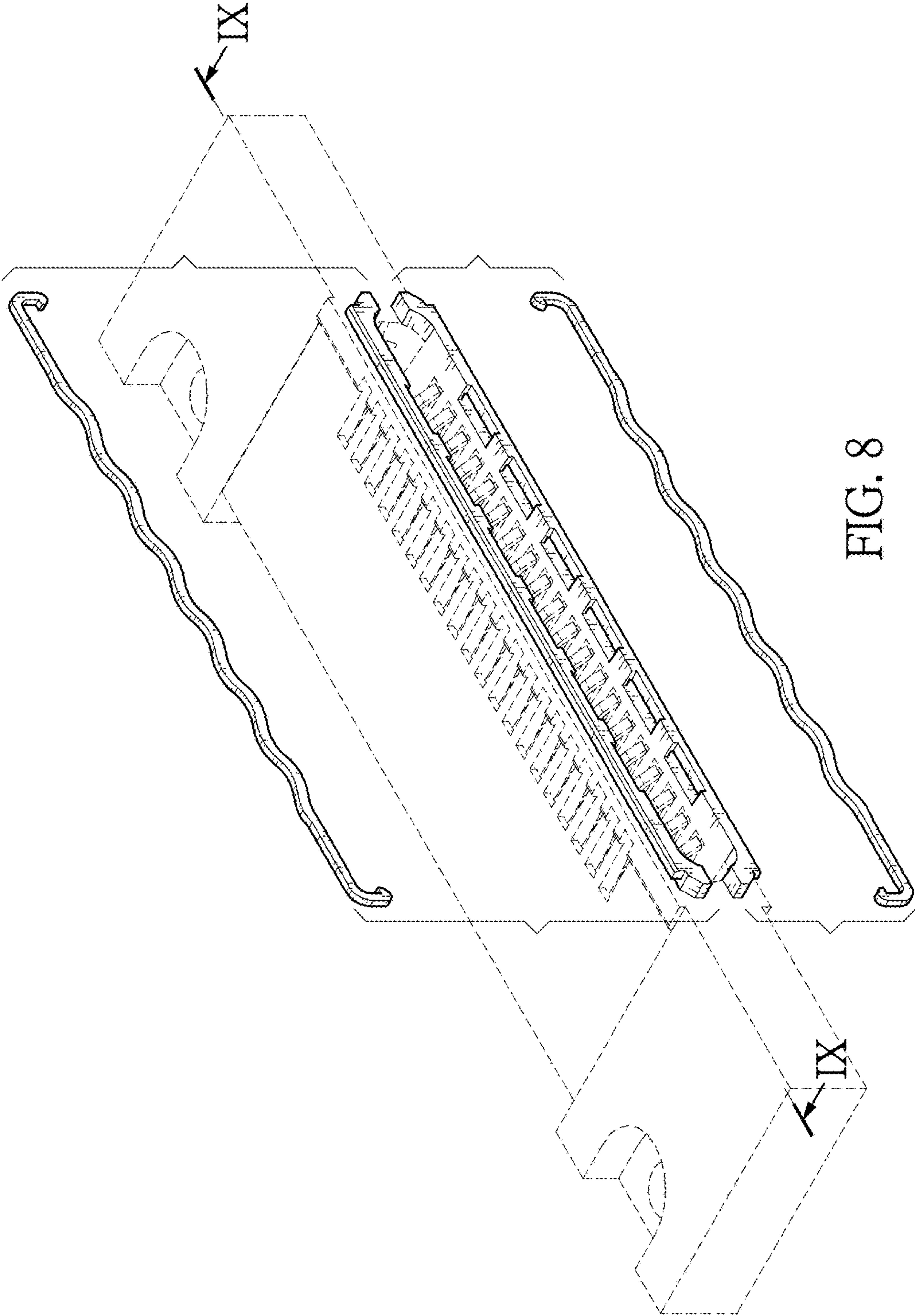


FIG. 8

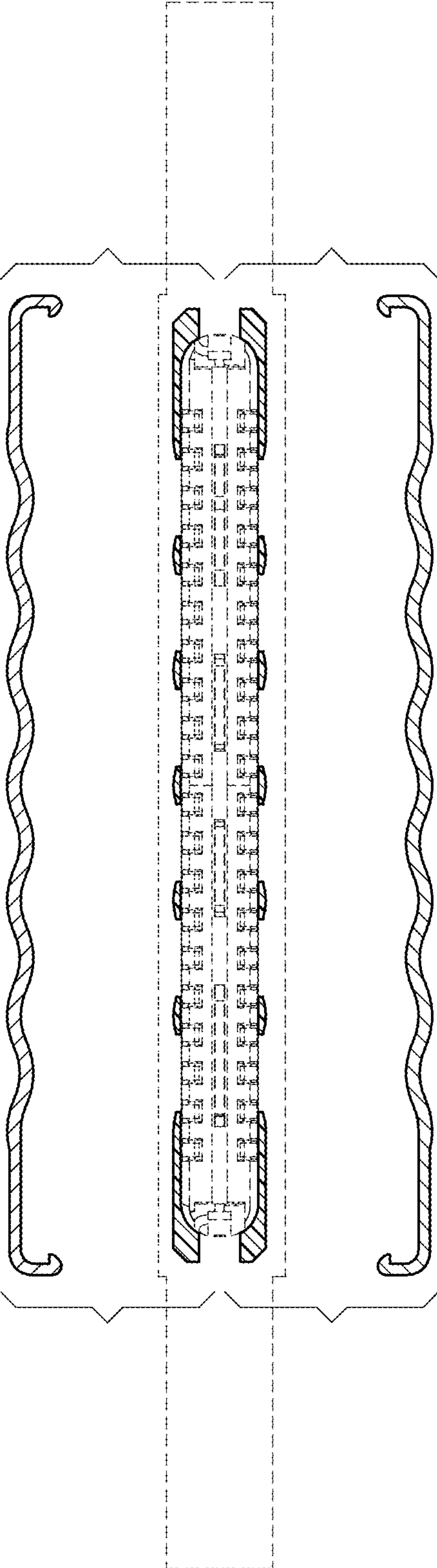


FIG. 9