



US00D815046S

(12) **United States Design Patent**  
**Blake et al.**

(10) **Patent No.:** **US D815,046 S**  
(45) **Date of Patent:** **\*\* Apr. 10, 2018**

(54) **SLEEVE FOR CABLE CONNECTOR**

(71) Applicant: **Steren Electronics International, LLC**, San Diego, CA (US)

(72) Inventors: **Joshua Blake**, San Diego, CA (US);  
**Brandon Clark**, San Diego, CA (US)

(73) Assignee: **STEREN ELECTRONICS INTERNATIONAL, LLC**, San Diego, CA (US)

(\*\*) Term: **15 Years**

(21) Appl. No.: **29/575,969**

(22) Filed: **Aug. 30, 2016**

(51) **LOC (11) Cl.** ..... **13-03**

(52) **U.S. Cl.**  
USPC ..... **D13/151; D8/29**

(58) **Field of Classification Search**  
USPC ..... D8/29; 81/60, 177.1, 177.85, 121.1,  
81/124.3, 165-170, 110.1, 176.2, 124.6,  
81/176.1, 176.15, 177.2; 16/110.1  
CPC ..... B25B 13/06  
See application file for complete search history.

(56) **References Cited**

**U.S. PATENT DOCUMENTS**

1,092,574 A	4/1914	Jansson
3,212,050 A	10/1965	Stark
4,662,703 A	5/1987	Forney et al.
4,730,385 A	3/1988	Ryan et al.
4,854,893 A	8/1989	Morris
5,297,458 A	3/1994	Smith et al.
5,316,348 A	5/1994	Franklin
5,367,925 A	11/1994	Gasparre et al.
5,435,745 A	7/1995	Booth
5,572,912 A	11/1996	Gasparre
5,857,711 A	1/1999	Dumong
6,034,325 A	3/2000	Nattel et al.

D460,739 S	7/2002	Fox
D460,740 S	7/2002	Montena
D460,946 S	7/2002	Montena
D460,947 S	7/2002	Montena
6,530,807 B2 *	3/2003	Rodrigues ..... H01R 9/0521 439/578
6,716,062 B1	4/2004	Palinkas et al.
6,767,247 B2	7/2004	Rodrigues
6,817,272 B2	11/2004	Holland
6,887,102 B1	5/2005	Burriss et al.
6,971,912 B2	12/2005	Montena
7,014,501 B2	3/2006	Montena
7,052,283 B2	5/2006	Pixley et al.

(Continued)

**OTHER PUBLICATIONS**

“EZT Installed”, Thomas & Betts Corporation, Apr. 2009, 1 page.

*Primary Examiner* — Randall H Gholson

(74) *Attorney, Agent, or Firm* — ARC IP Law, PC;  
Joseph J. Mayo

(57) **CLAIM**

The ornamental design for a sleeve for cable connector, as shown and described.

**DESCRIPTION**

FIG. 1 is an upper perspective view of a sleeve for cable connector.

FIG. 2 is a front view of the sleeve for cable connector.

FIG. 3 is a back view of the sleeve for cable connector.

FIG. 4 is a left side view of the sleeve for cable connector.

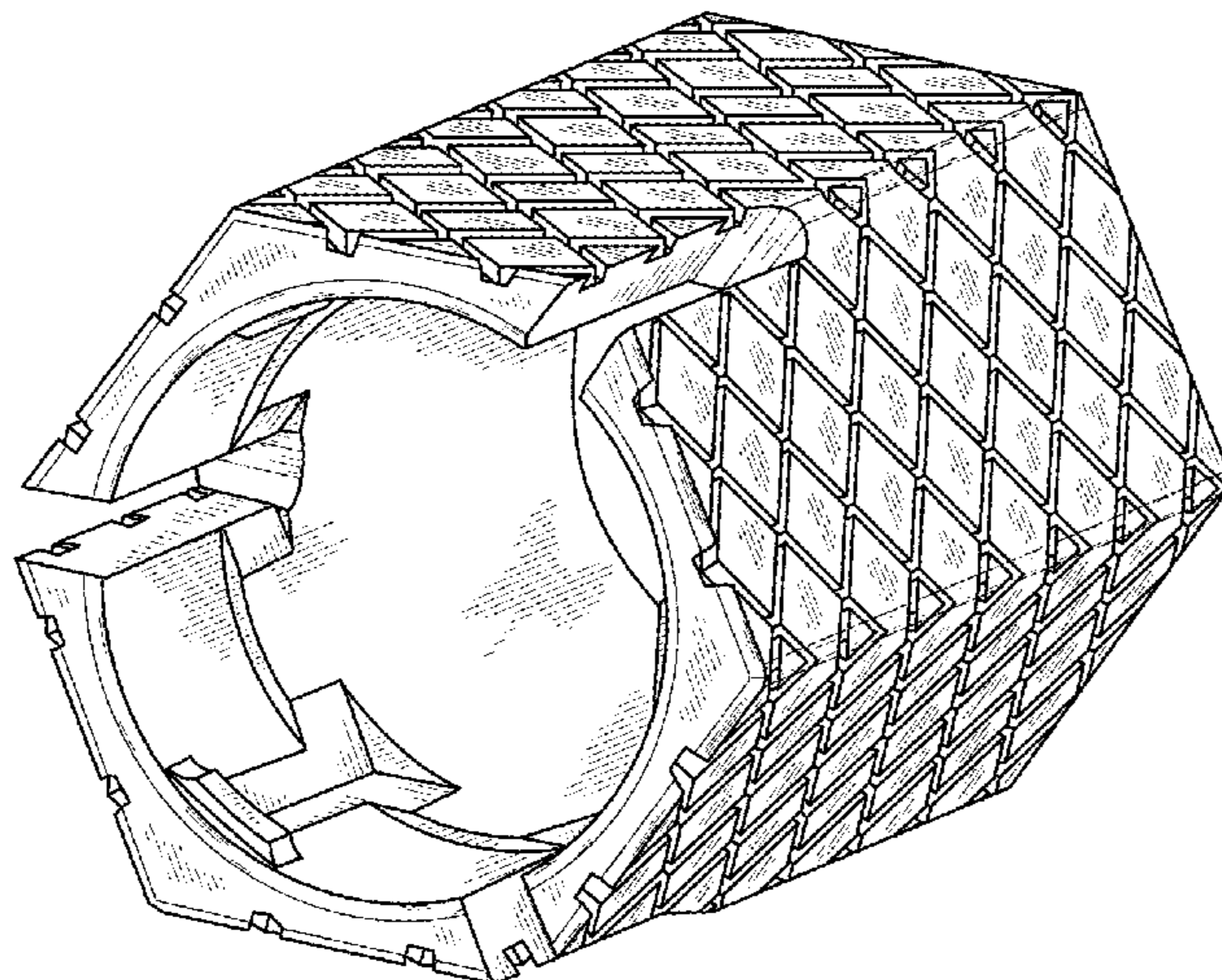
FIG. 5 is a right side view of the sleeve for cable connector.

FIG. 6 is a top view of the sleeve for cable connector; and,

FIG. 7 is a bottom view of the sleeve for cable connector.

The broken lines in the drawings show unclaimed features of the sleeve for cable connector and form no part of the claimed design.

**1 Claim, 7 Drawing Sheets**



(56)

**References Cited**

## U.S. PATENT DOCUMENTS

7,097,500	B2	8/2006	Montena	
7,128,603	B2	10/2006	Burris et al.	
7,147,509	B1	12/2006	Burris et al.	
7,219,582	B2	5/2007	Ito	
7,226,300	B2	6/2007	Khemakhem	
7,311,555	B1	12/2007	Burris et al.	
7,329,149	B2	2/2008	Montena	
7,347,129	B1	3/2008	Youtsey	
7,364,462	B2	4/2008	Holland	
7,413,693	B2	8/2008	Goacher	
7,452,237	B1	11/2008	Montena	
7,544,094	B1	6/2009	Paglia	
D600,210	S *	9/2009	Snyder	D13/133
D624,023	S *	9/2010	Rodrigues	D13/151
7,837,501	B2	11/2010	Youtsey	
8,029,316	B2 *	10/2011	Snyder	H01R 13/622 439/578
8,490,525	B2 *	7/2013	Wilson	B25B 13/06 81/467
D698,627	S *	2/2014	Chance	D13/156
D736,357	S *	8/2015	Melo	D23/262
9,240,636	B2 *	1/2016	Youtsey	H01R 13/622
9,362,634	B2 *	6/2016	Davidson, Jr.	H01R 9/0521
2004/0194585	A1	10/2004	Clark	
2006/0266166	A1	11/2006	Weber	
2008/0318469	A1	12/2008	Paglia et al.	
2009/0163076	A1	6/2009	Paglia et al.	
2011/0059650	A1	3/2011	Amidon	
2013/0005180	A1	1/2013	Malloy et al.	
2014/0027173	A1	1/2014	Clothier	

\* cited by examiner

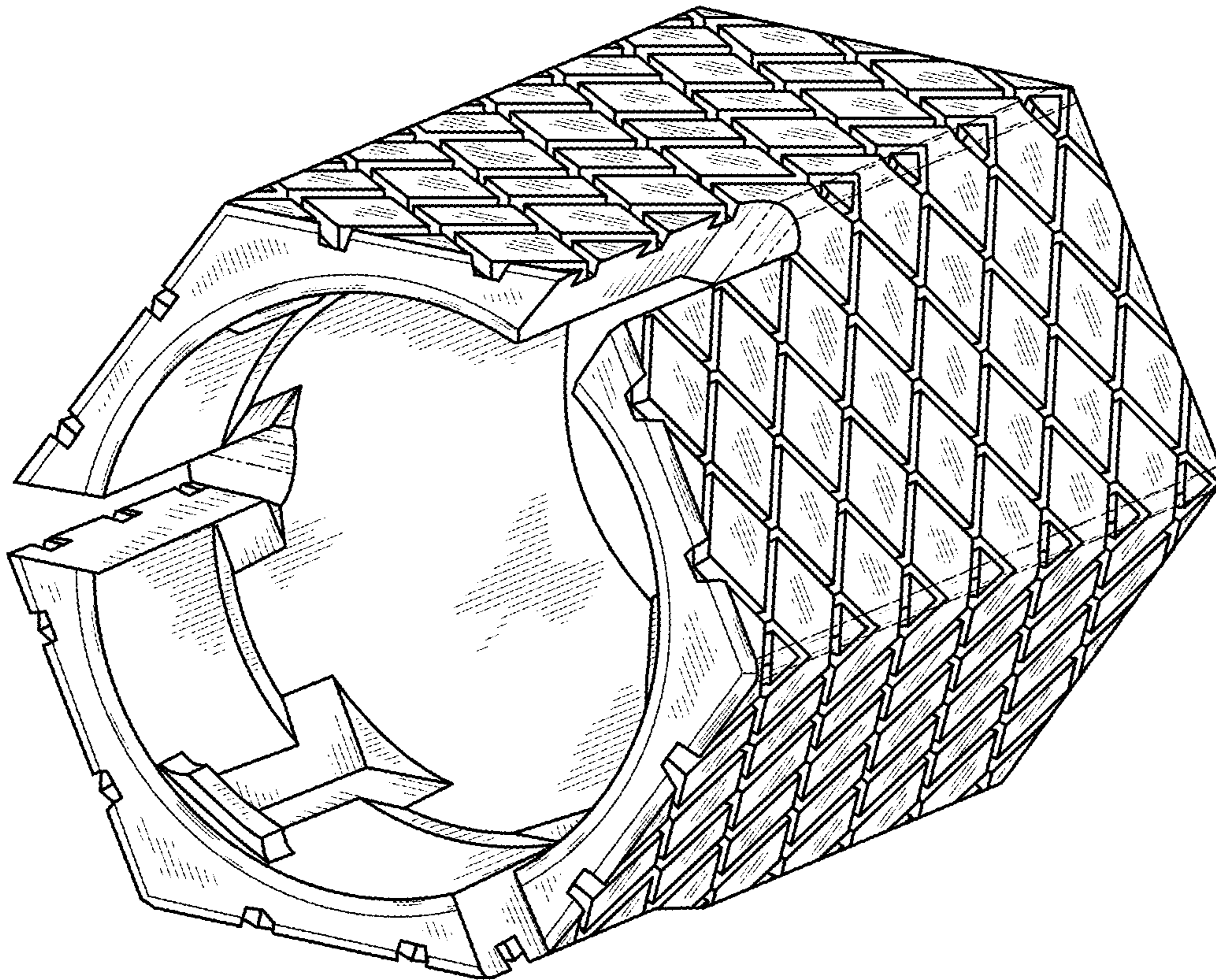


FIG. 1

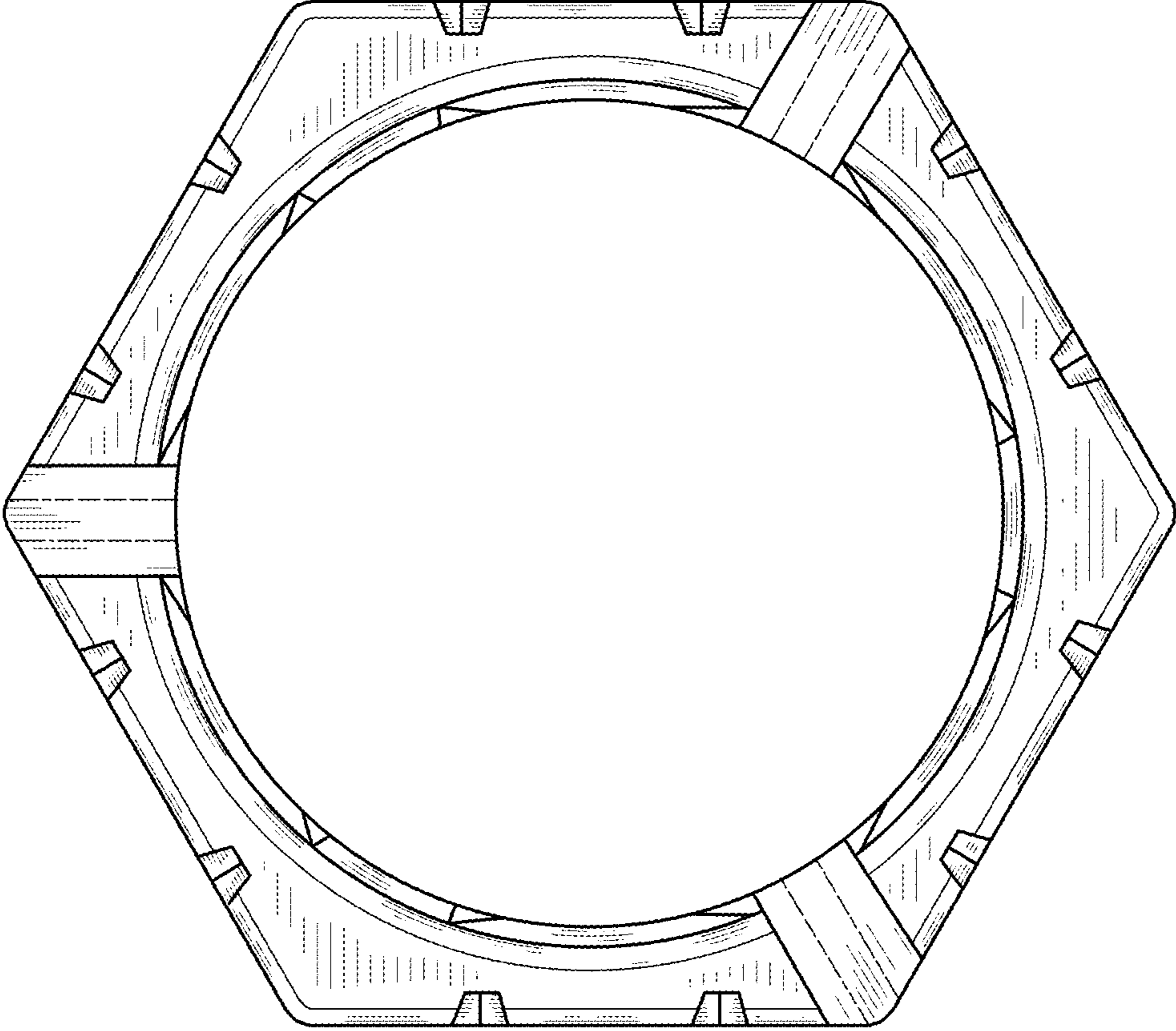


FIG. 2

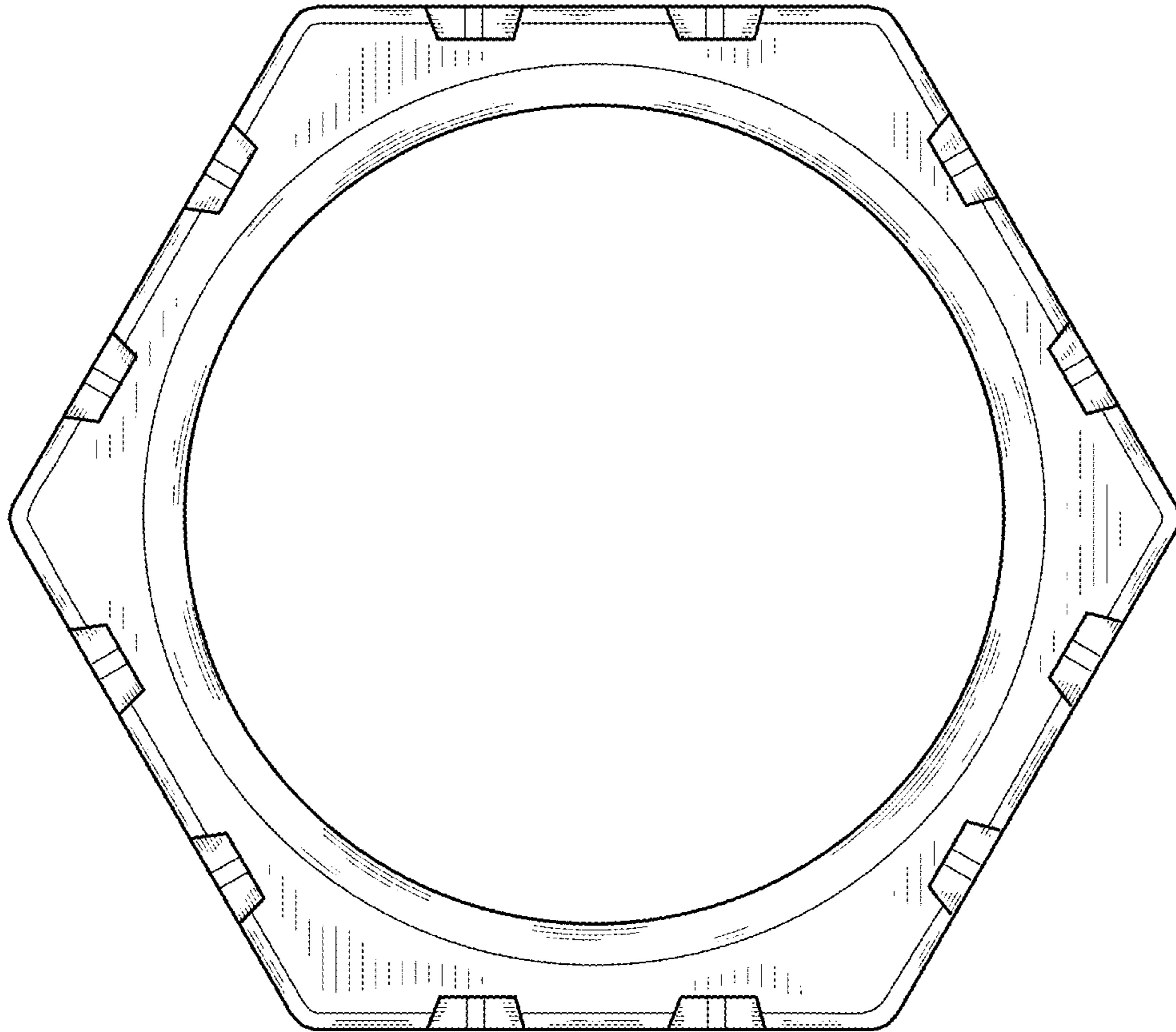


FIG. 3

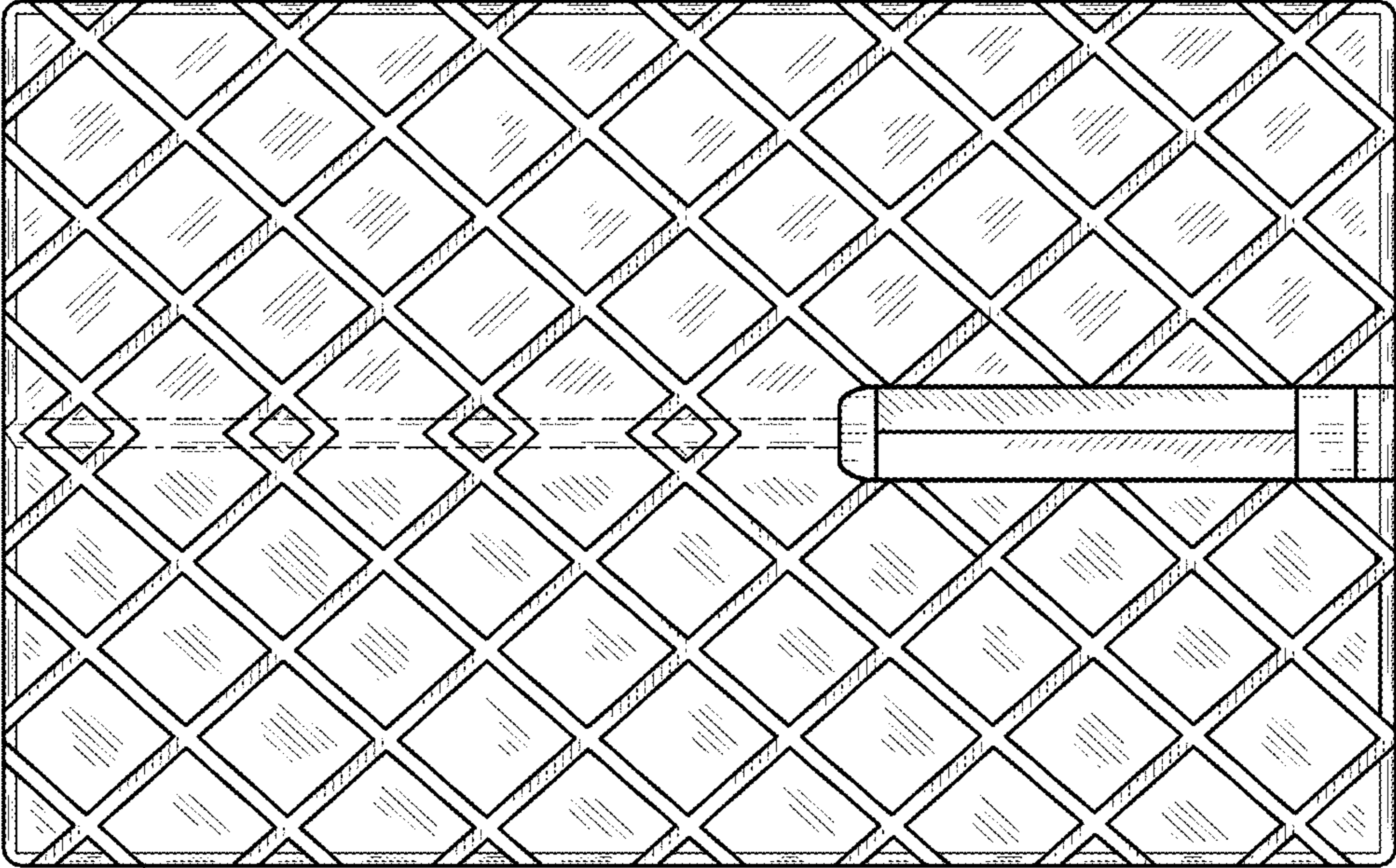


FIG. 4

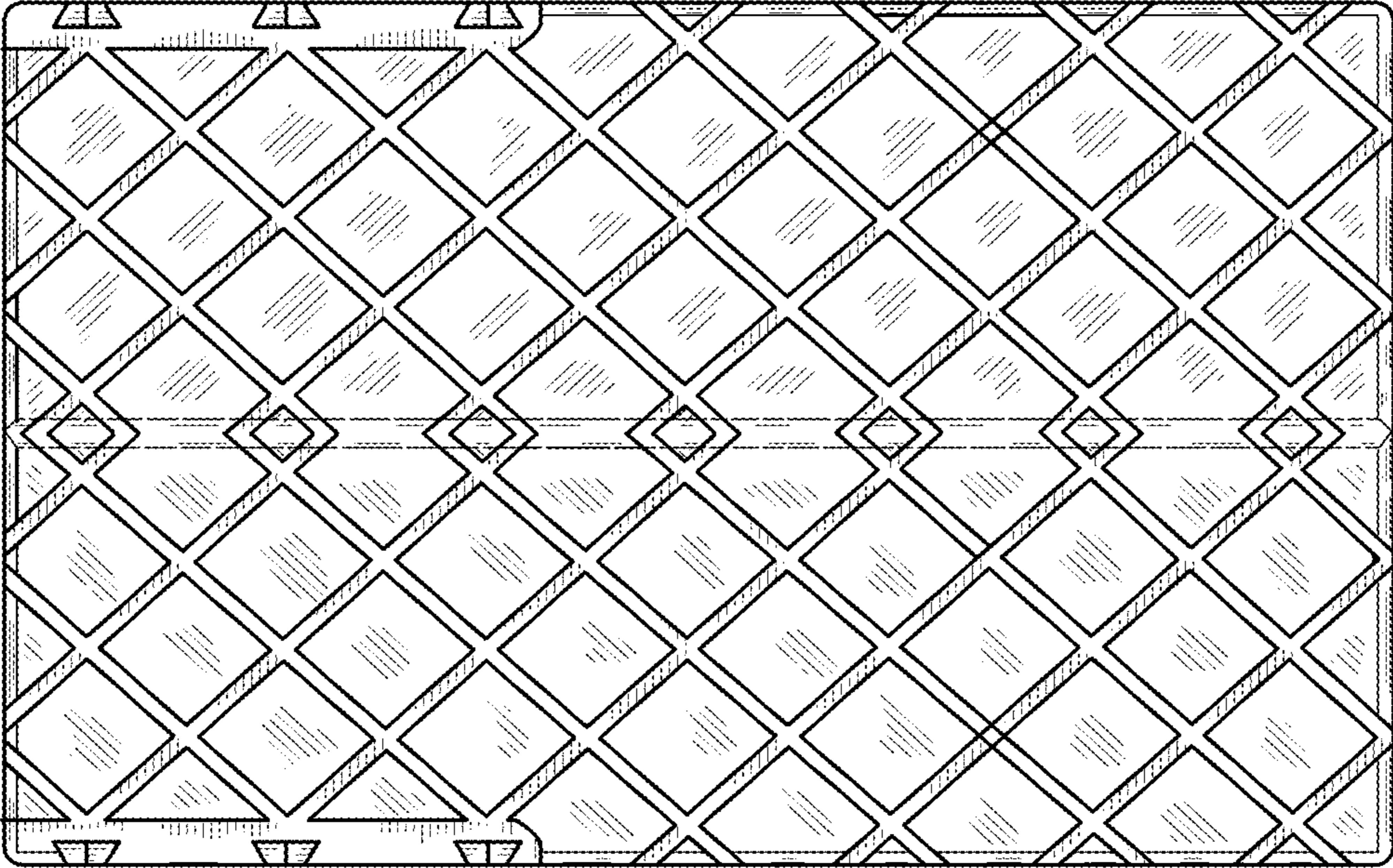


FIG. 5

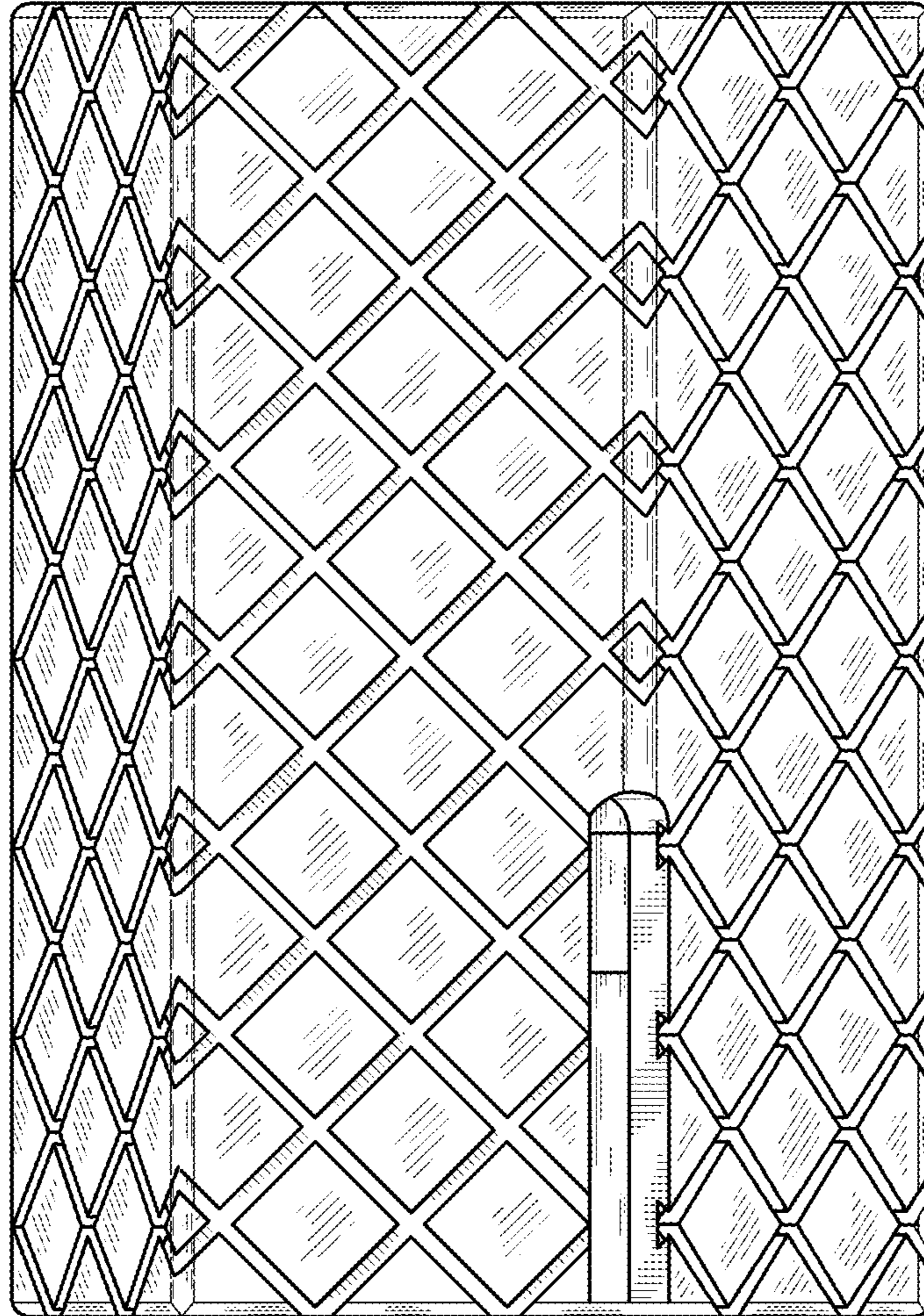


FIG. 6



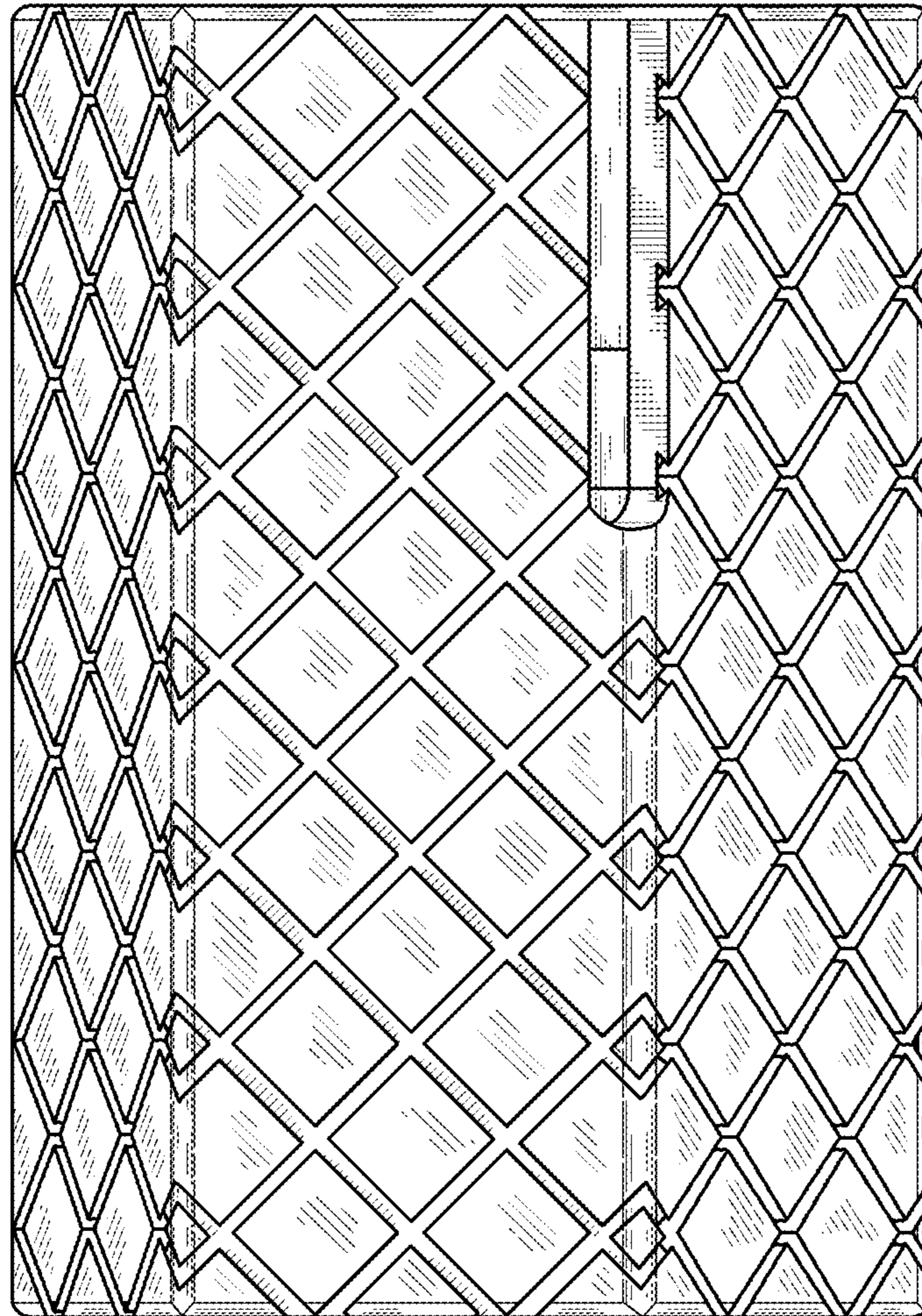


FIG. 7