



US00D815045S

(12) **United States Design Patent**
Horn et al.

(10) **Patent No.:** **US D815,045 S**
(45) **Date of Patent:** **** Apr. 10, 2018**

(54) **POWER ENTRY CONNECTOR**

(71) Applicants: **William A. Horn**, Chino Hills, CA
(US); **Juan Pablo Luna Gómez**,
Tijuana (MX)

(72) Inventors: **William A. Horn**, Chino Hills, CA
(US); **Juan Pablo Luna Gómez**,
Tijuana (MX)

(**) Term: **15 Years**

(21) Appl. No.: **29/585,473**

(22) Filed: **Nov. 23, 2016**

(51) **LOC (11) Cl.** **13-03**

(52) **U.S. Cl.**
USPC **D13/138.2**

(58) **Field of Classification Search**
USPC D13/108–110, 133, 137.1–137.4,
D13/138.1–138.2, 139.1–139.8, 152–154,
D13/156, 173, 177, 151, 146, 147, 107;
D14/433, 435.1, 432; D8/350–353, 331,
D8/396, 398, 399, 382, 383, 387, 393,
D8/343

CPC H01R 25/00; H01R 25/006; H01R 25/003;
H01R 9/00; H01R 11/00; H01R 13/46;
H01R 13/62; H01R 13/639; H01R
13/6392; H01R 4/64; H01R 4/66; H02J
2007/0062; H02G 3/14

See application file for complete search history.

(56) **References Cited**

U.S. PATENT DOCUMENTS

D555,097 S * 11/2007 Su D13/133
D627,731 S * 11/2010 Huang D13/146
D677,629 S * 3/2013 Corona D13/133
D687,778 S * 8/2013 Utz D13/133
D719,096 S * 12/2014 Decosta D13/137.2

D725,595 S * 3/2015 Decosta D13/146
D735,670 S * 8/2015 Decosta D13/146
D754,605 S * 4/2016 McMillan D13/133
D779,435 S * 2/2017 Callahan H02G 3/12
D13/139.4
2005/0250360 A1* 11/2005 Cantie H01R 13/74
439/100

* cited by examiner

Primary Examiner — Rosemary K Tarcza
Assistant Examiner — Christy Nemeth
(74) *Attorney, Agent, or Firm* — QuickPatents, LLC;
Kevin Prince

(57) **CLAIM**

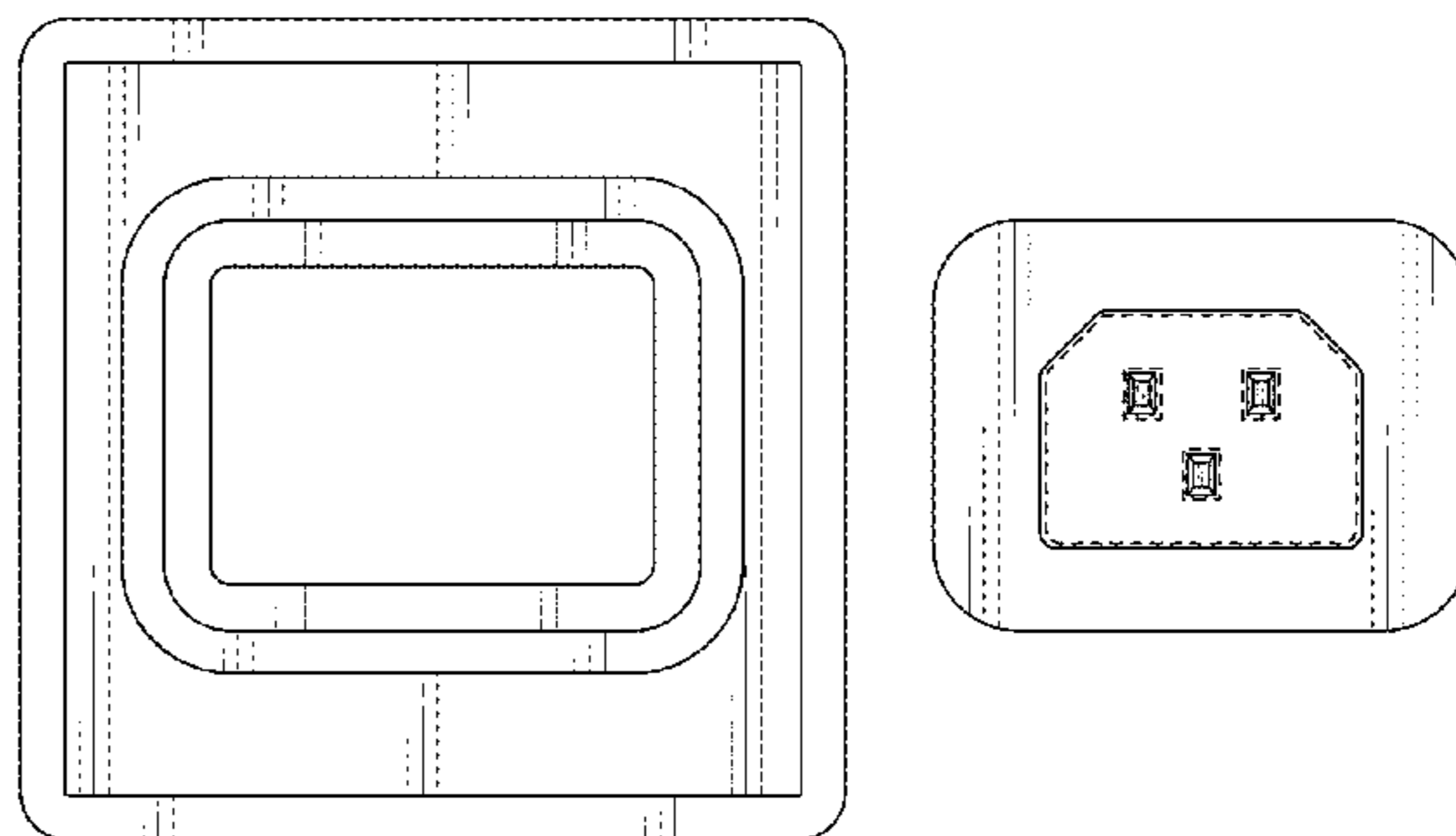
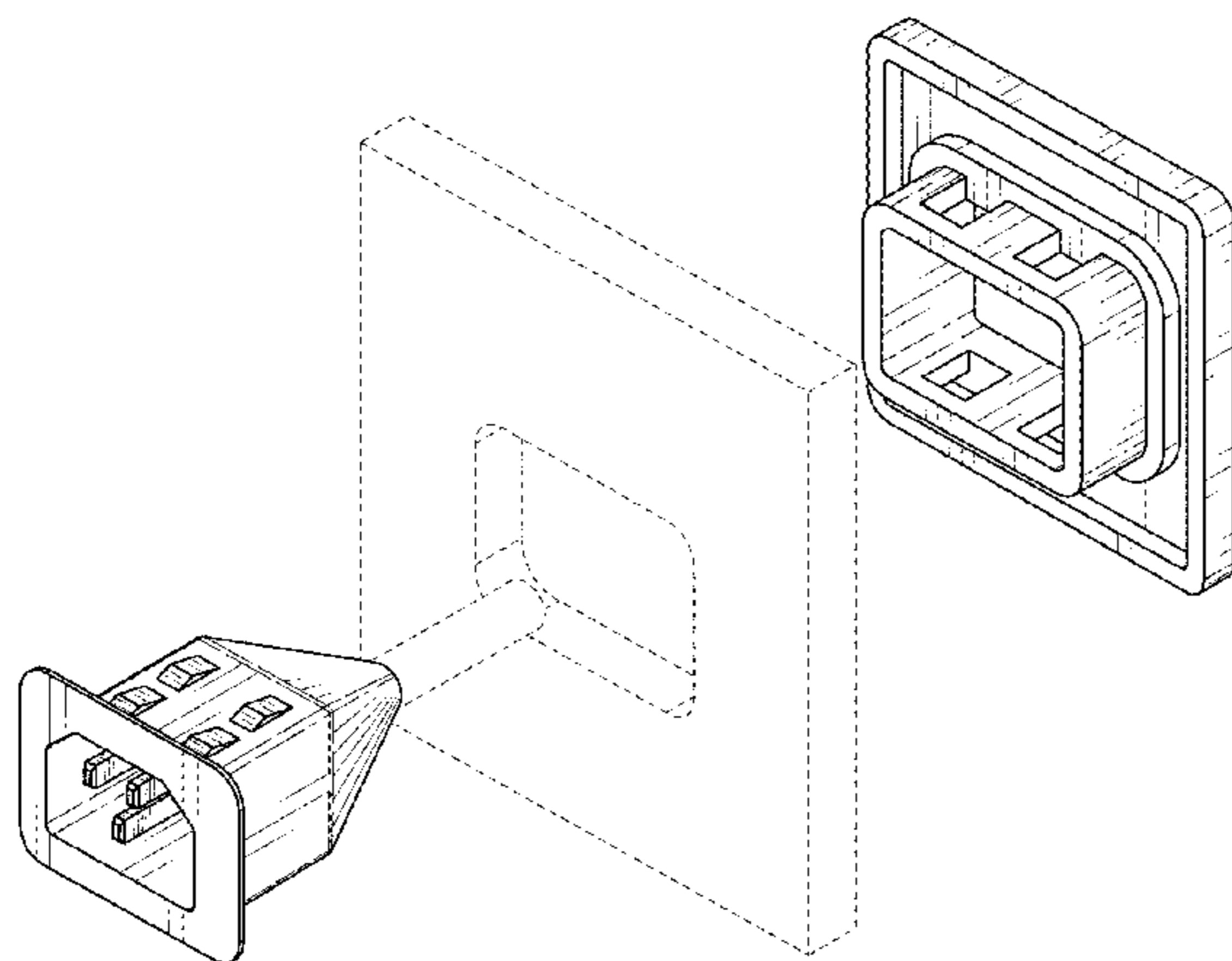
We claim the ornamental design for a power entry connector, as shown and described.

DESCRIPTION

FIG. 1 is an exploded perspective view of a power entry connector, showing our new design;
FIG. 2 is a perspective view thereof, in which the power entry connector is in an assembled configuration;
FIG. 3 is a front elevation view, in which the power entry connector is in a disassembled configuration;
FIG. 4 is a rear elevation view, in which the power entry connector is in a disassembled configuration;
FIG. 5 is an exploded left-side elevation view thereof;
FIG. 6 is an exploded right-side elevation view thereof;
FIG. 7 is an exploded top plan view thereof; and,
FIG. 8 is an exploded bottom plan view thereof.

The broken lines in the drawings are for the purpose of illustrating environmental subject matter and portions of the power entry connector that form no part of the claimed design.

1 Claim, 5 Drawing Sheets



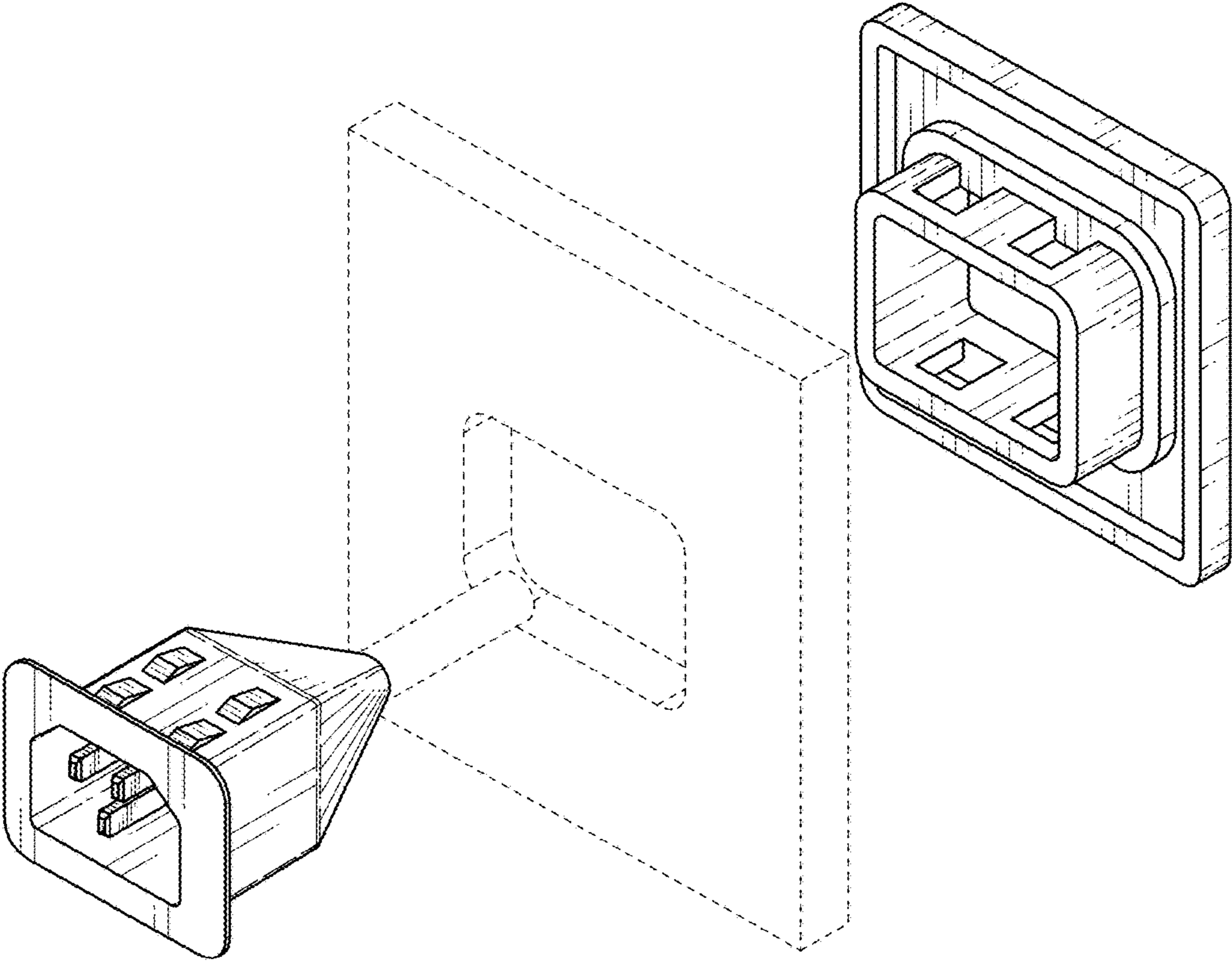


FIG. 1

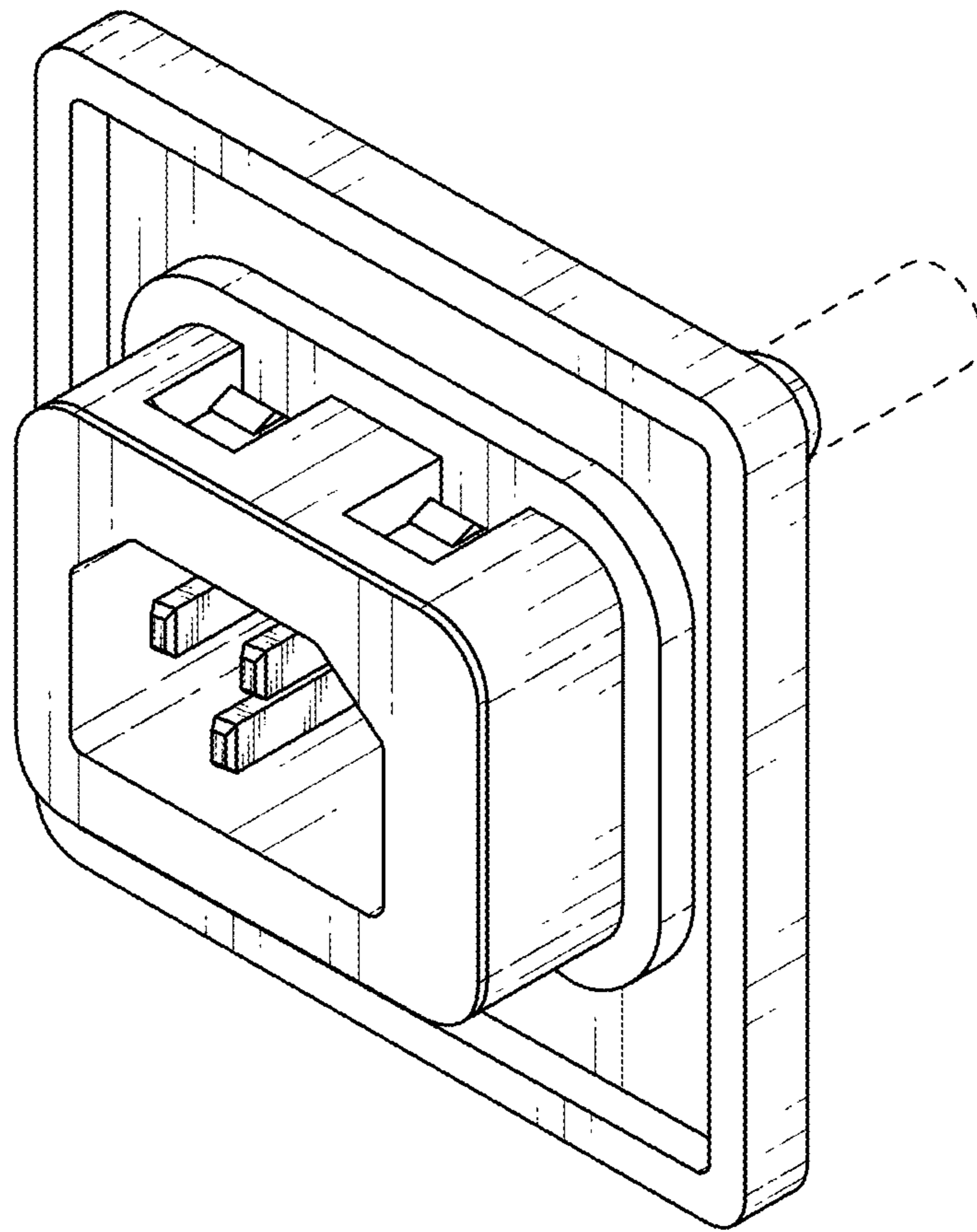


FIG. 2

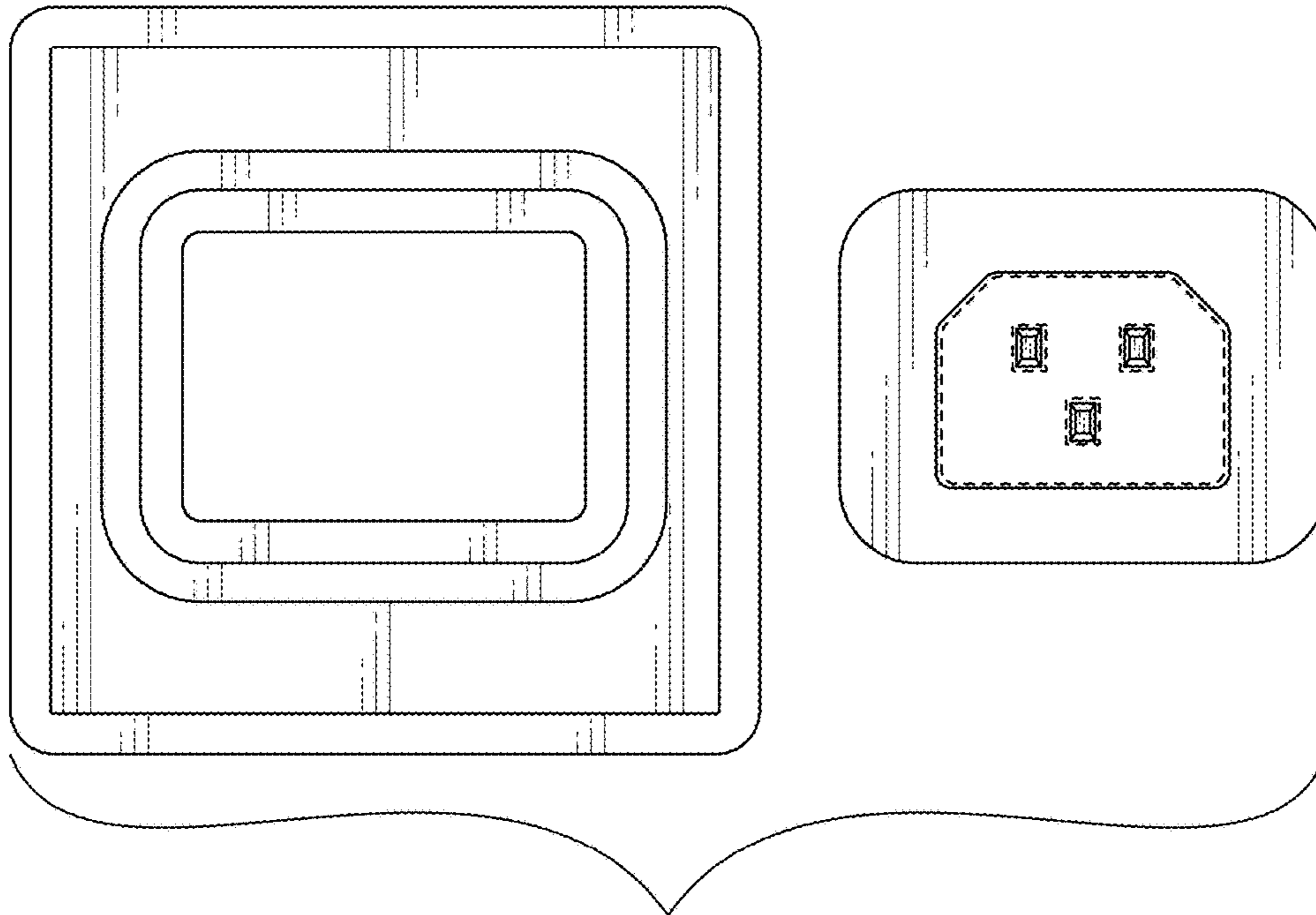


FIG. 3

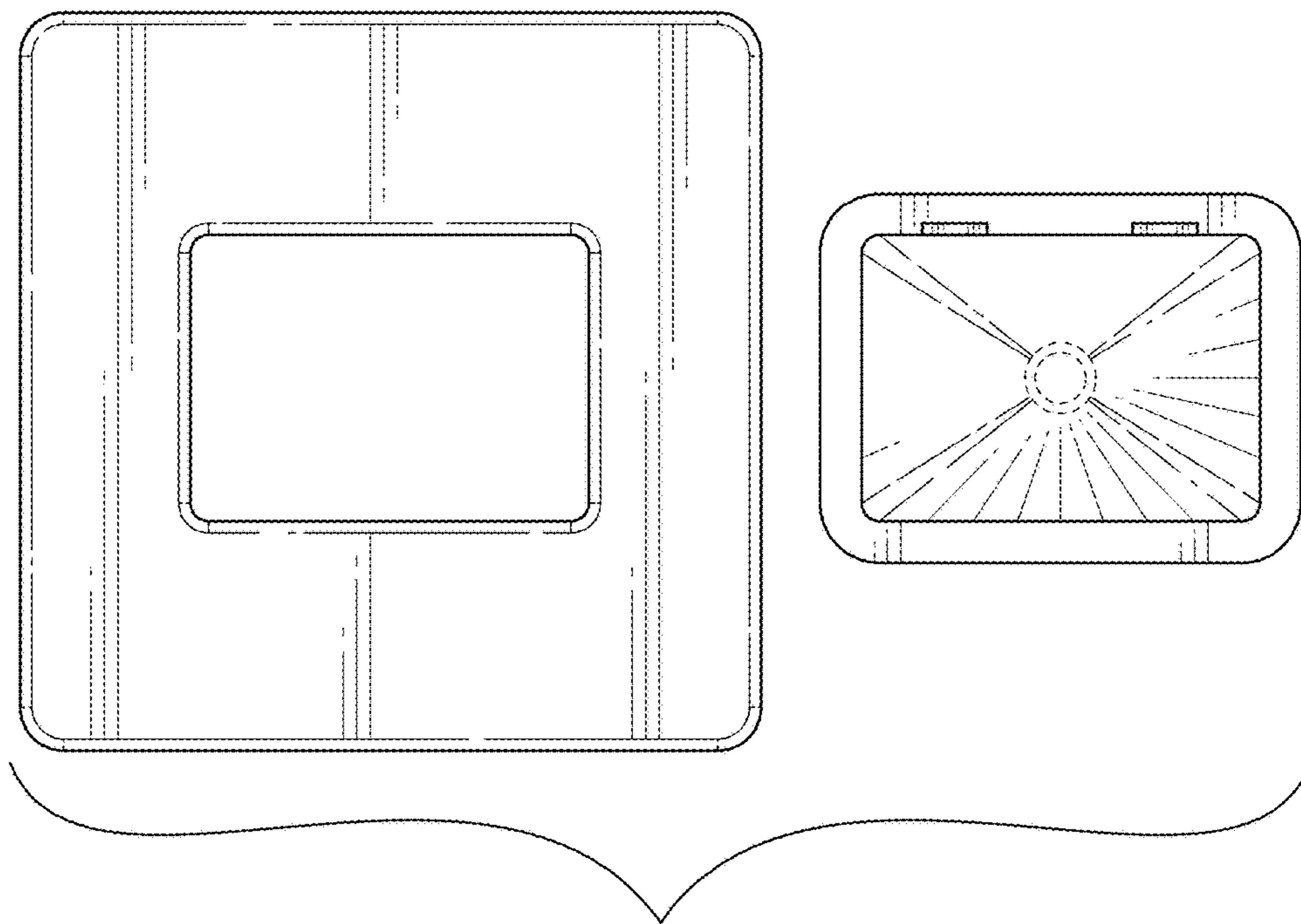


FIG. 4

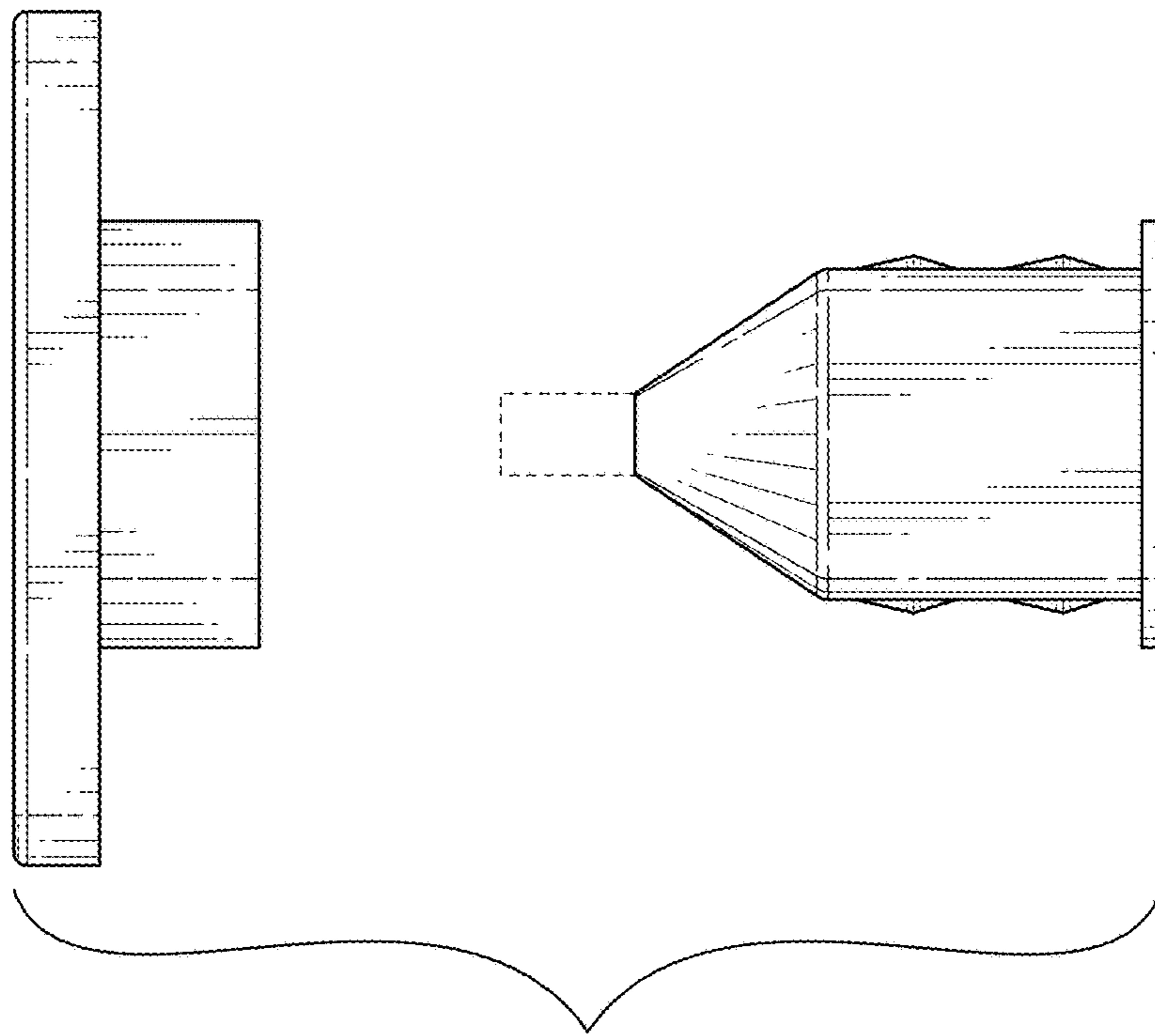


FIG. 5

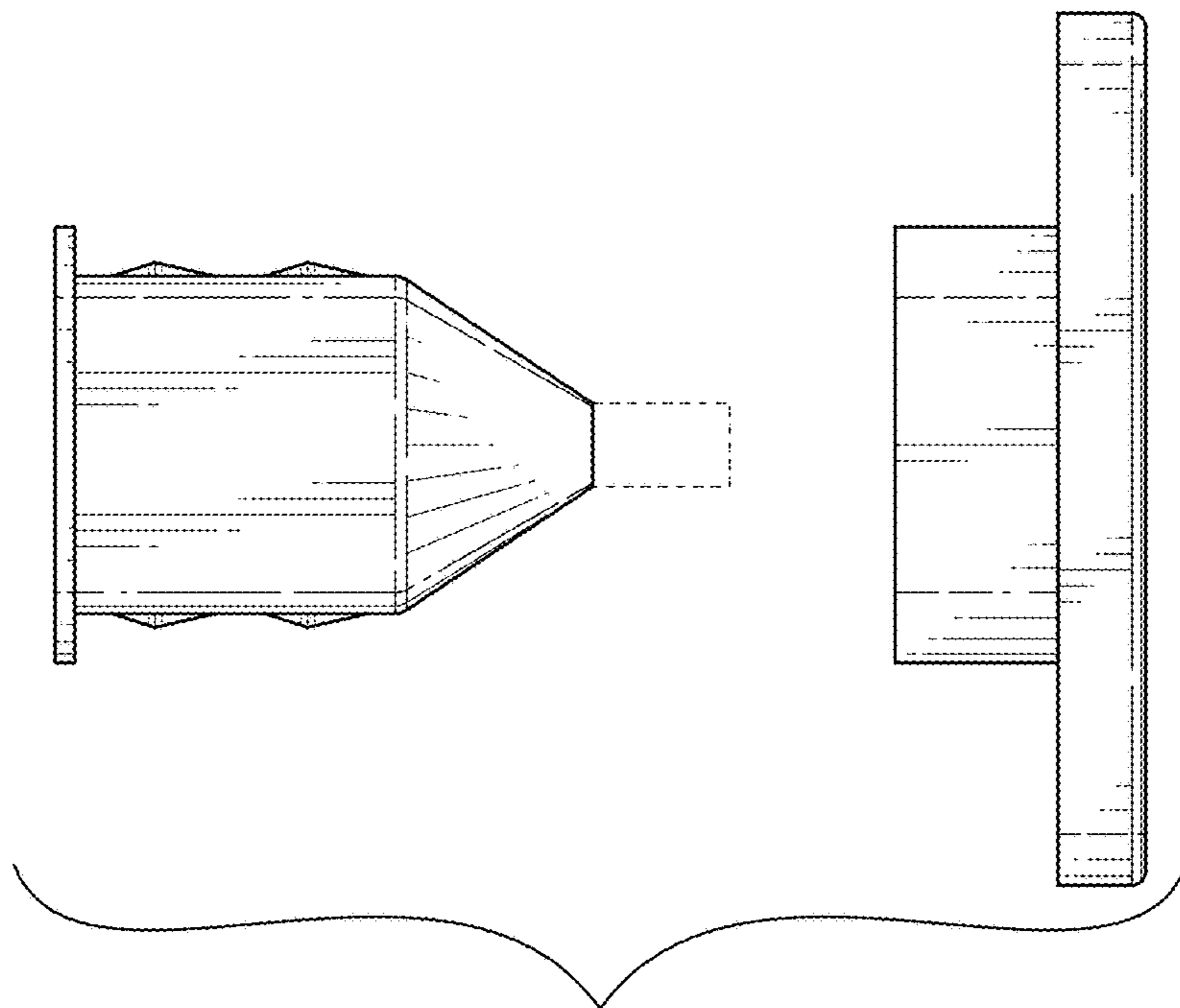


FIG. 6

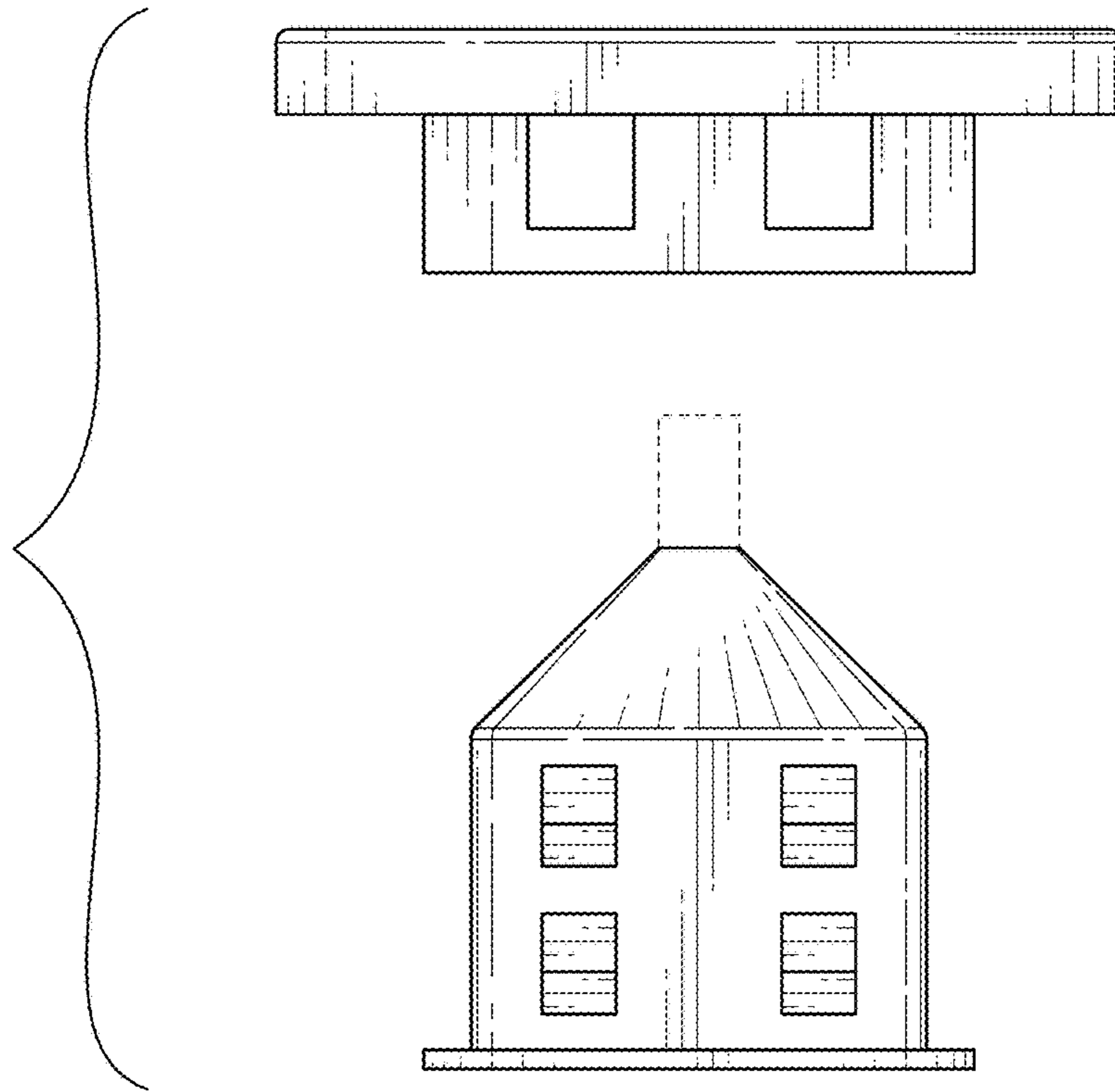


FIG. 7

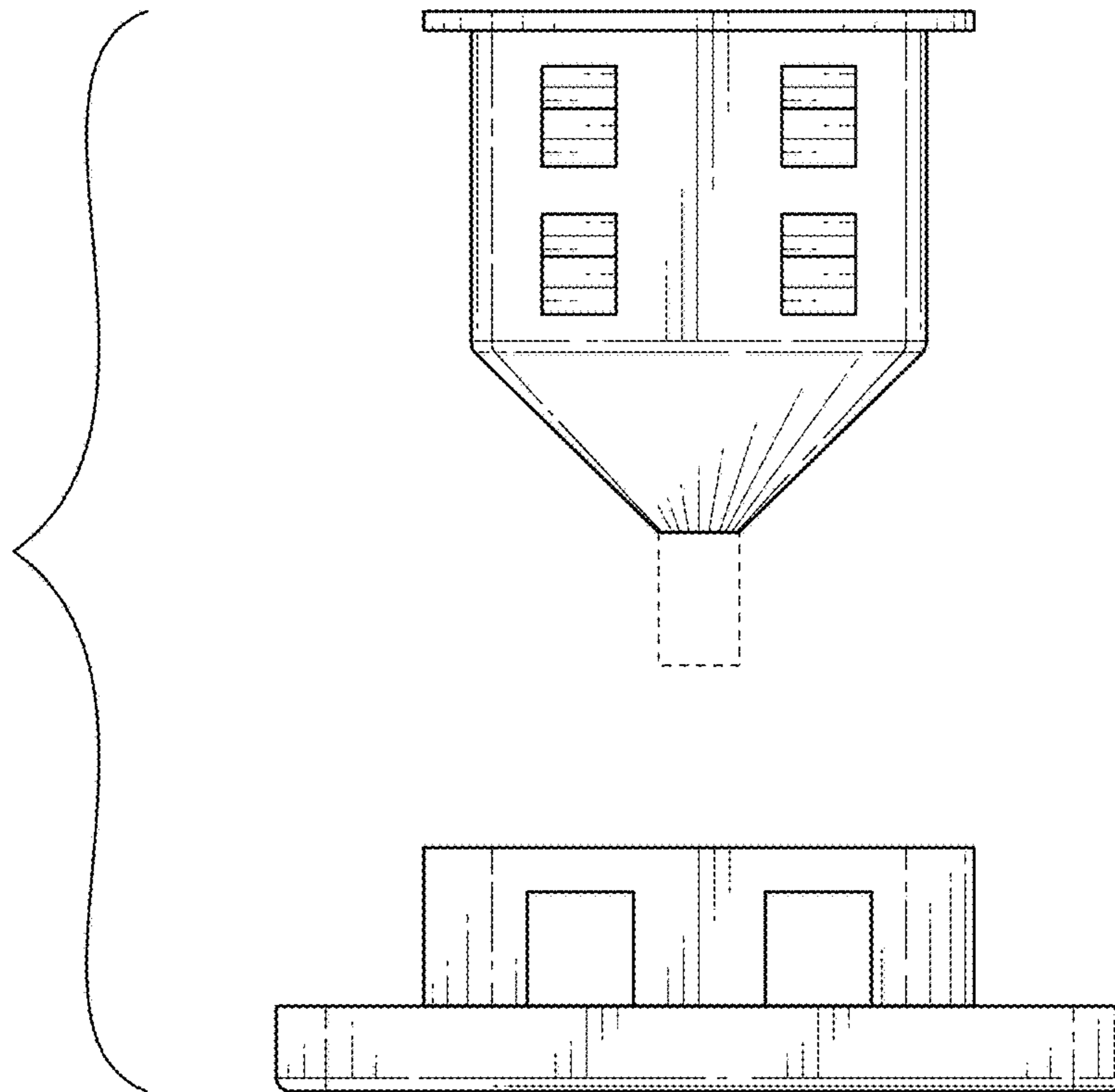


FIG. 8