



US00D815043S

(12) **United States Design Patent**
Wu et al.

(10) **Patent No.:** **US D815,043 S**
(45) **Date of Patent:** **** Apr. 10, 2018**

(54) **PART OF AN OPTICAL FIBER CONNECTOR**

(71) Applicant: **ADVANCED-CONNECTEK INC.**,
New Taipei (TW)

(72) Inventors: **Chun-Hsiung Wu**, New Taipei (TW);
Chin-Huang Chiu, New Taipei (TW)

(73) Assignee: **Advanced-Connectek Inc.**, New Taipei
(TW)

(**) Term: **15 Years**

(21) Appl. No.: **29/553,588**

(22) Filed: **Feb. 3, 2016**

(30) **Foreign Application Priority Data**

Aug. 12, 2015 (TW) 104304374

(51) **LOC (11) Cl.** **13-03**

(52) **U.S. Cl.**
USPC **D13/133**

(58) **Field of Classification Search**
USPC D13/107, 108, 110, 118, 123, 133, 134,
D13/137.2, 137.3, 139.1, 139.2, 147, 148,
D13/149, 150, 151, 152, 154, 156, 158,
D13/159, 162, 173, 179, 184, 199
CPC G02B 6/4442; G02B 6/42; G02B 6/40;
G02B 6/3897; G02B 6/38; G02B 6/36;
G02B 6/32; G02B 6/26; G02B 6/24;
G02B 6/00

See application file for complete search history.

(56) **References Cited**

U.S. PATENT DOCUMENTS

D434,376 S * 11/2000 Connelly D13/133
6,196,733 B1 * 3/2001 Wild G02B 6/3887
385/139
D481,680 S * 11/2003 Cheng D13/133
D523,396 S * 6/2006 Shiraiishi D13/133

8,070,367 B2 * 12/2011 Winberg G02B 6/3846
385/55
D676,384 S * 2/2013 Yang D13/133
2004/0202431 A1 * 10/2004 Bates, III G02B 6/3893
385/78
2010/0247057 A1 * 9/2010 Takamatsu G02B 6/3879
385/139

(Continued)

OTHER PUBLICATIONS

LC Fiber Connector Explained, posted at Youtube.com, posted on
Nov. 1, 2010, [online], [site visited Apr. 5, 2017]. Available from
Internet, <<https://www.youtube.com/watch?v=SJwbqjjo4BE>>.*

(Continued)

Primary Examiner — Mary Ann Calabrese

Assistant Examiner — Catherine Ho

(74) *Attorney, Agent, or Firm* — Muncy, Geissler, Olds &
Lowe, P.C.

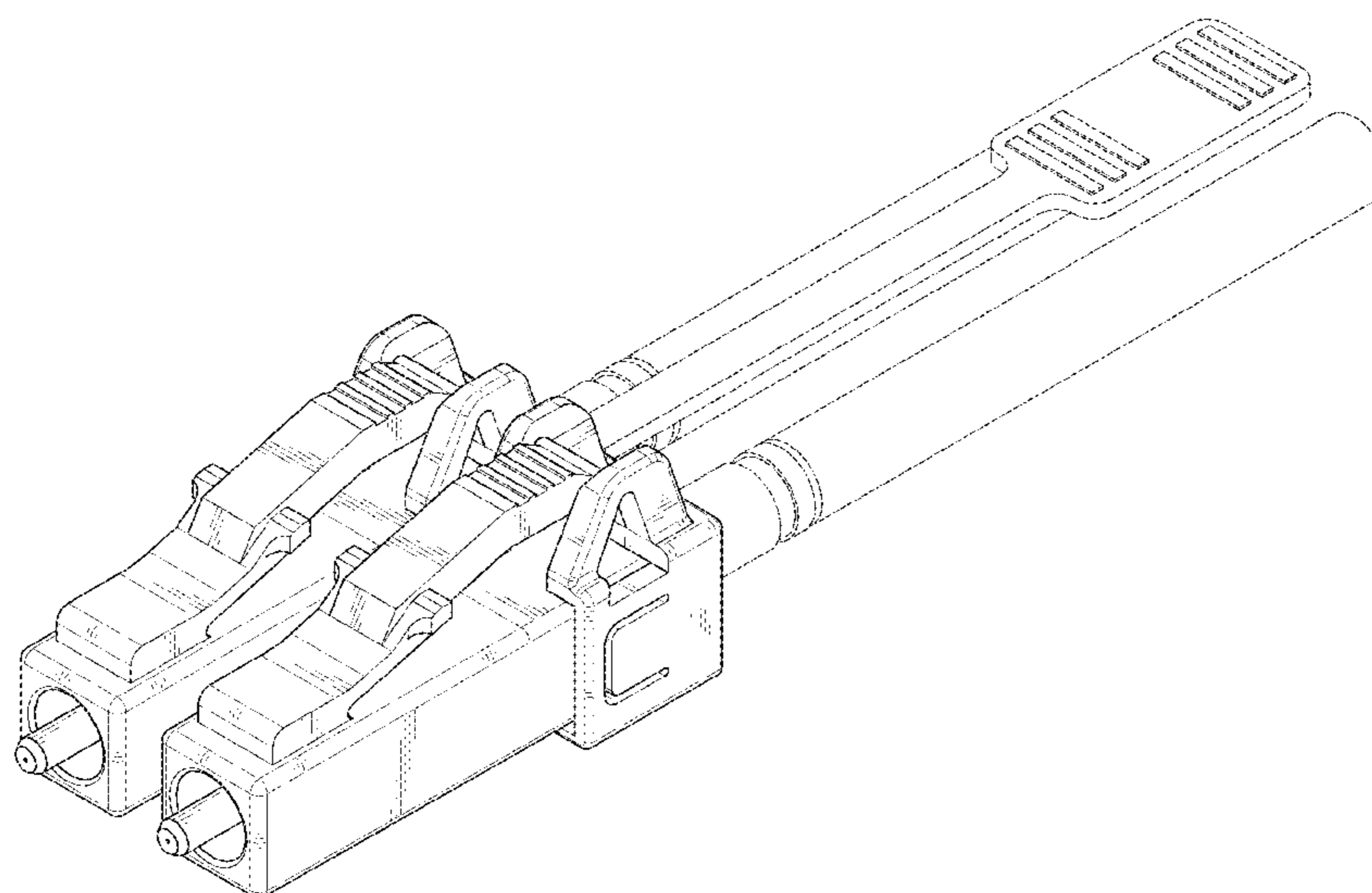
(57) **CLAIM**

The ornamental design for a part of an optical fiber connec-
tor, as shown and described.

DESCRIPTION

FIG. 1 is a top perspective view of a part of an optical fiber
connector showing my new design;
FIG. 2 is a front elevational view thereof, shown in an
enlarged scale;
FIG. 3 is a rear elevational view thereof, shown in an
enlarged scale;
FIG. 4 is a left side elevational view thereof;
FIG. 5 is a right side elevational view thereof;
FIG. 6 is a top plan view thereof;
FIG. 7 is a bottom plan view thereof; and,
FIG. 8 is another perspective view thereof.
The broken line portion of the figure drawings is included to
show portions of the article that form no part of the claimed
design.

1 Claim, 8 Drawing Sheets



(56)

References Cited

U.S. PATENT DOCUMENTS

2013/0051734 A1* 2/2013 Shen G02B 6/3869
385/78
2015/0177463 A1* 6/2015 Lee G02B 6/3897
385/76
2015/0212283 A1* 7/2015 Jiang G02B 6/3898
385/77

OTHER PUBLICATIONS

Number of sold LC connectors, posted at Hubersuhner.com, posted on Aug. 4, 2015, [online], [site visited Apr. 5, 2017]. Available from Internet, <<http://www.hubersuhner.com/en/Company/Connected-Stories/LC-sales-exceed-the-10-million-mark-for-the-first>>.*

Senkos intros LC-HD connector, posted at Cablinginstall.com, posted on Feb. 10, 2014, [online], [site visited Apr. 5, 2017]. Available from Internet, <<http://www.cablinginstall.com/articles/2014/02/senko-lc-hd.html>>.*

* cited by examiner

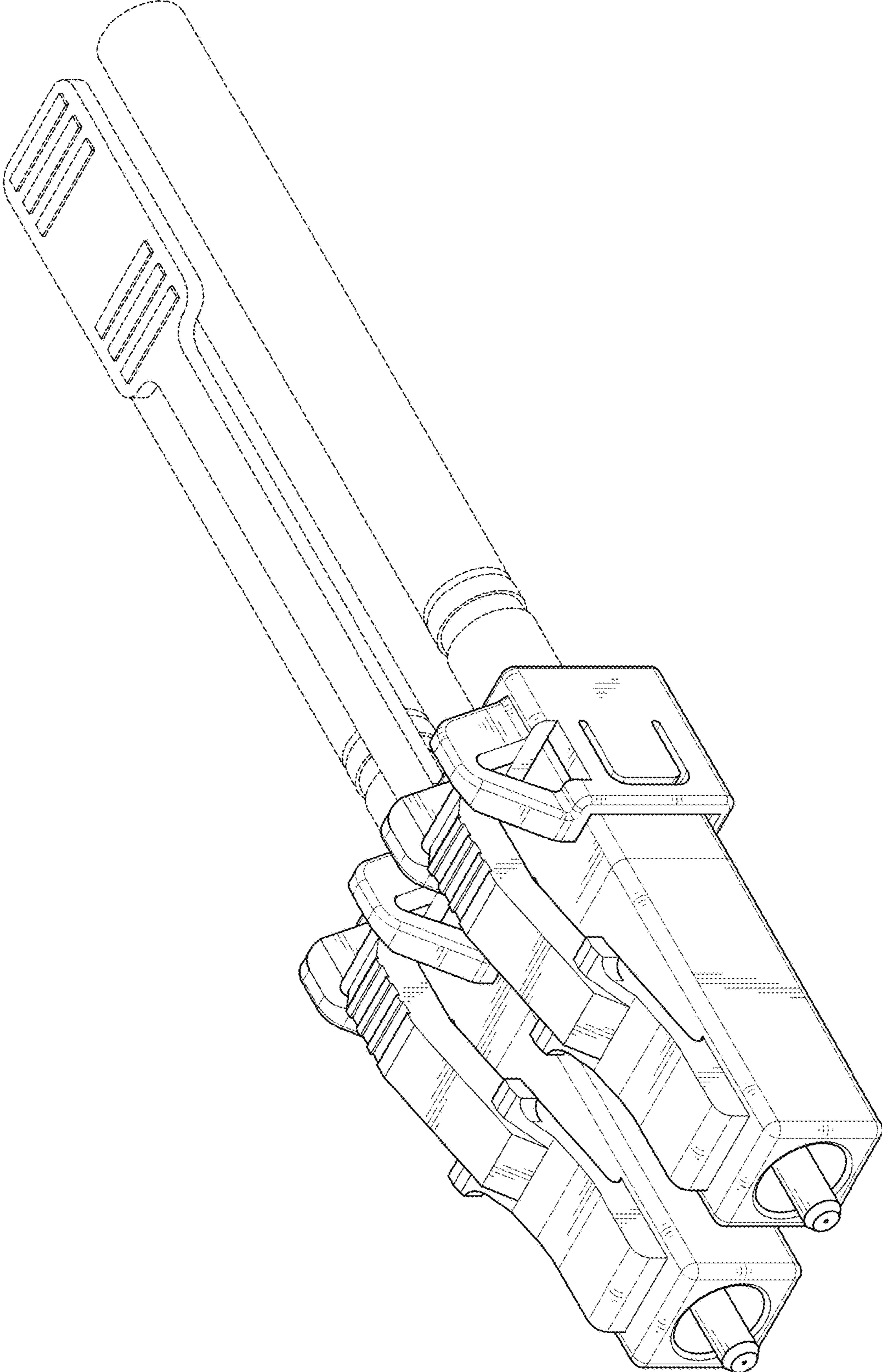


FIG. 1

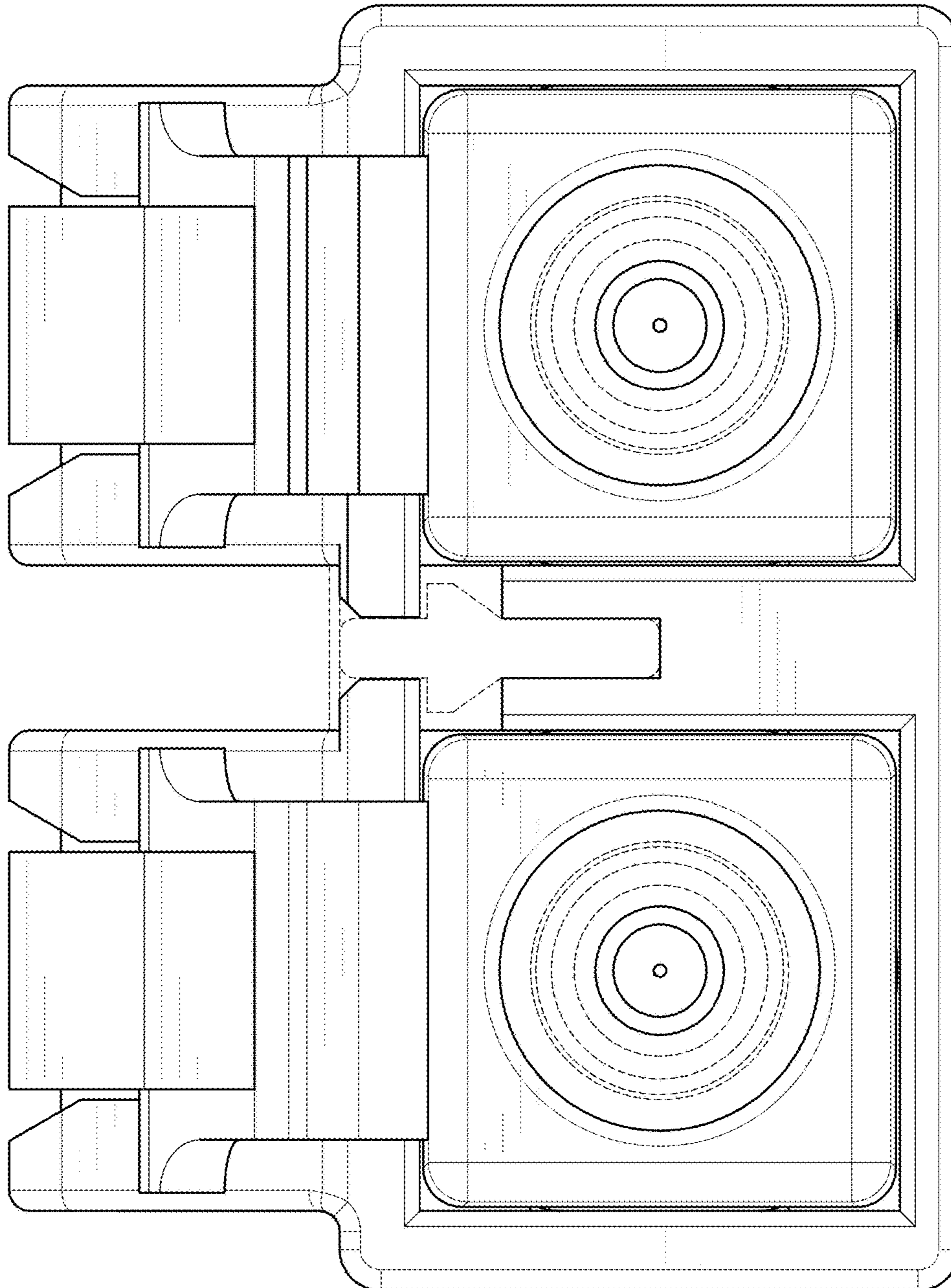


FIG. 2

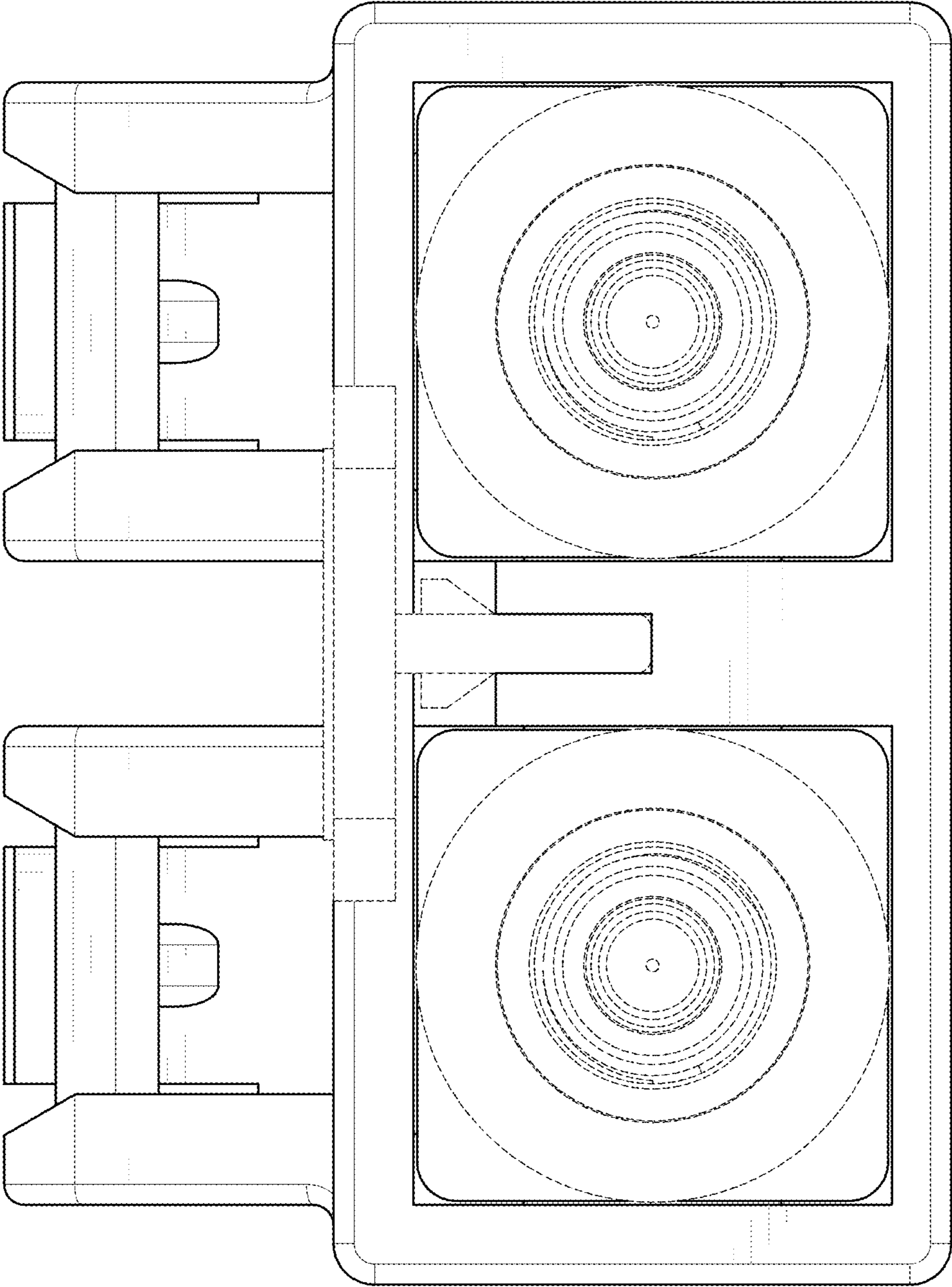


FIG. 3

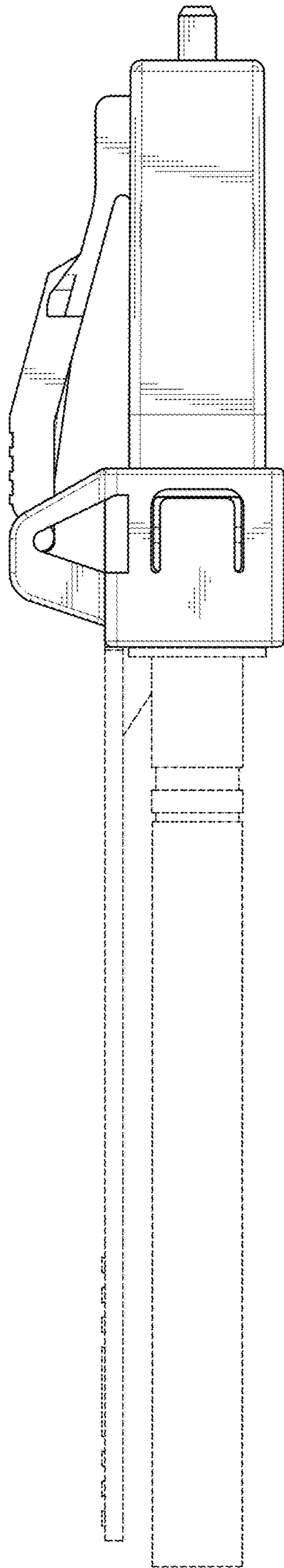


FIG. 4

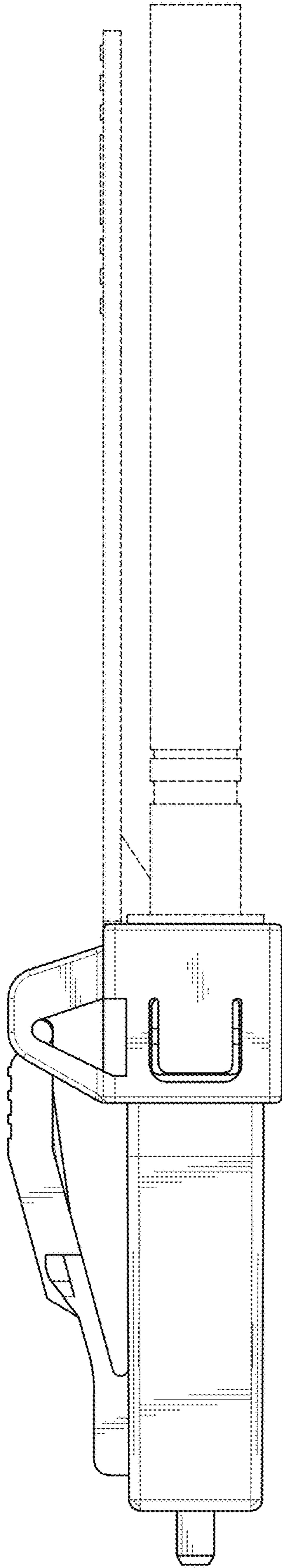


FIG. 5

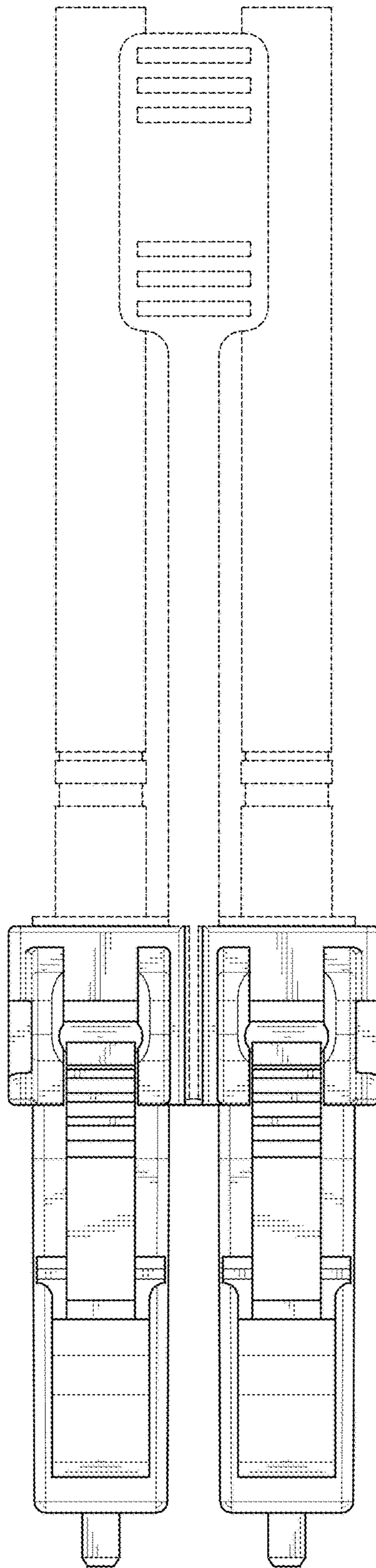


FIG. 6

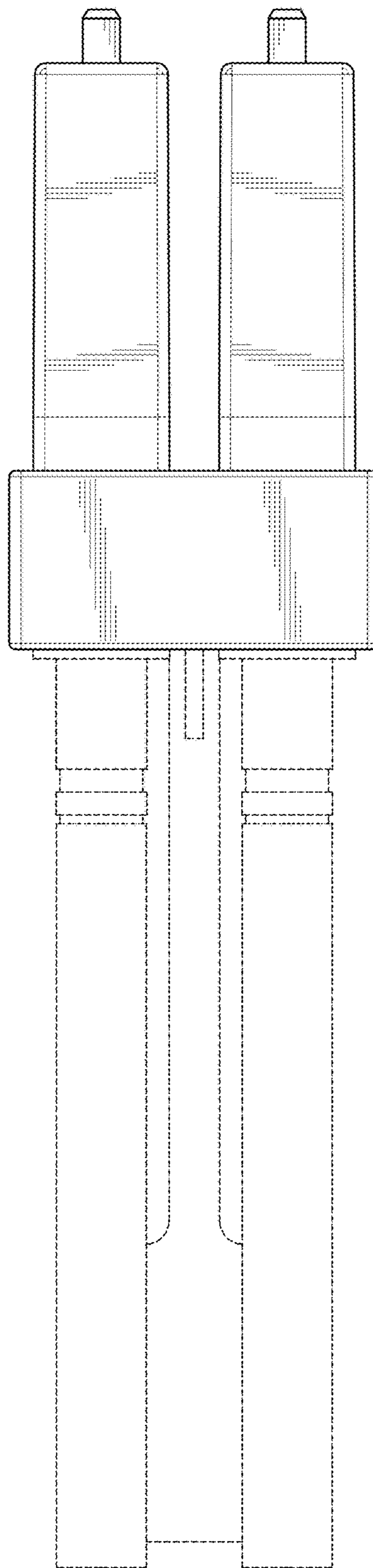


FIG. 7

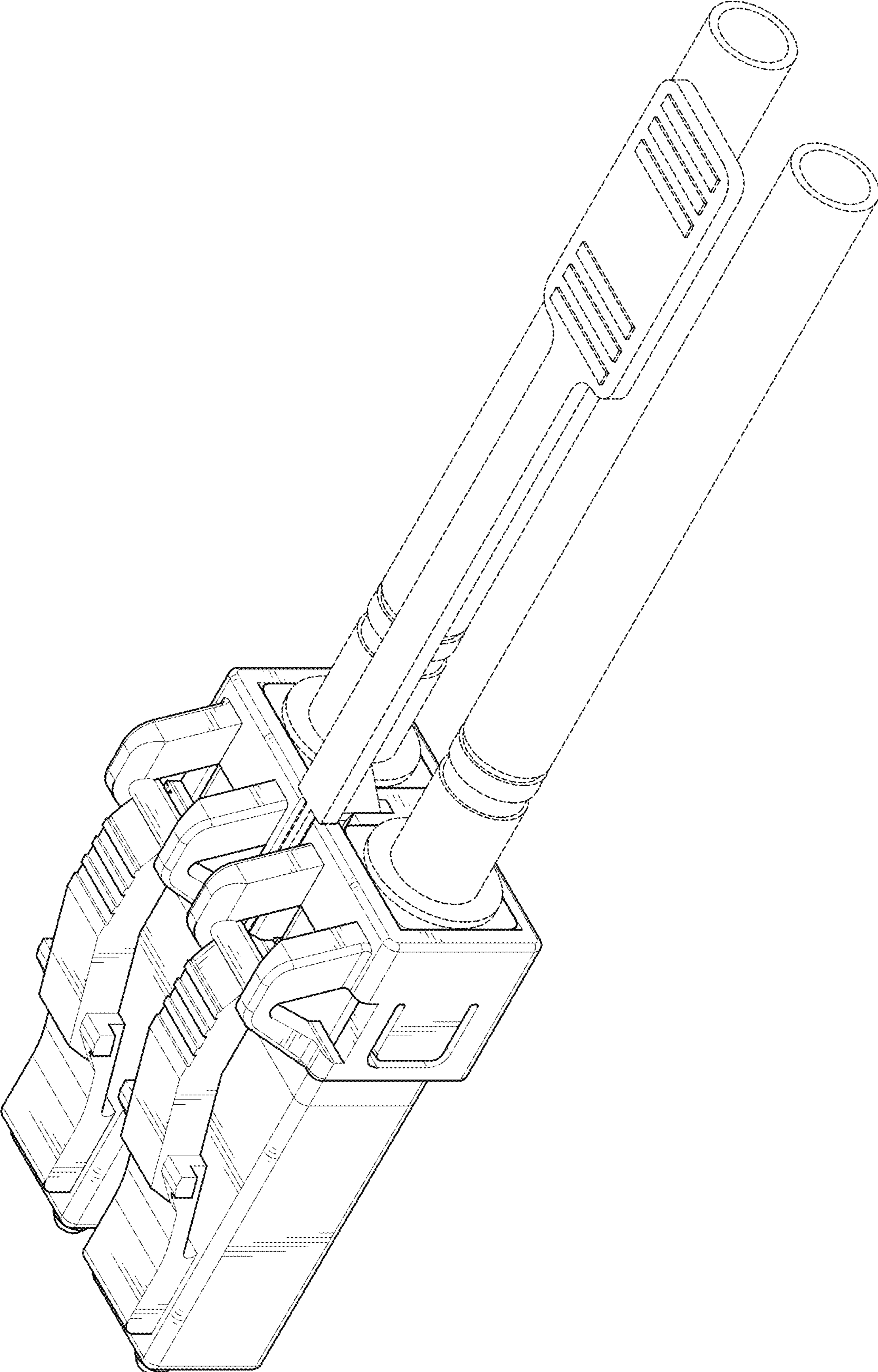


FIG. 8