



US00D815042S

(12) **United States Design Patent**
Jenrich

(10) **Patent No.:** **US D815,042 S**
(45) **Date of Patent:** **** Apr. 10, 2018**

- (54) **MOUNTING DEVICE**
- (71) Applicant: **FEW Fahrzeugelektrikwerk GmbH & Co. KG, Zwenkau (DE)**
- (72) Inventor: **André Jenrich, Leipzig (DE)**
- (73) Assignee: **FEW Fahrzeugelektrikwerk GmbH & Co. KG, Zwenkau (DE)**
- (**) Term: **15 Years**
- (21) Appl. No.: **29/539,522**
- (22) Filed: **Sep. 15, 2015**
- (30) **Foreign Application Priority Data**

Mar. 26, 2015 (EP) 002669614-0001

- (51) **LOC (11) Cl.** **13-03**
- (52) **U.S. Cl.**
USPC **D13/133; D8/349; D8/364**
- (58) **Field of Classification Search**
USPC D13/154, 133, 129, 199; D8/349, 354,
D8/364; 174/84 R, 650; 29/830, 831
CPC H05B 3/84; H05B 2203/016; H01R 4/62;
H01R 4/02; H01R 4/625; H01R 4/723;
H01R 12/59; Y10T 29/49128
See application file for complete search history.

(56) **References Cited**

U.S. PATENT DOCUMENTS

- 3,813,519 A * 5/1974 Jochim B41F 15/08
101/126
- 4,199,214 A * 4/1980 Pearce, Jr. H01H 85/044
439/620.26
- 4,415,116 A * 11/1983 Norton B23K 3/02
219/230
- 5,738,554 A * 4/1998 Borger H01R 4/02
219/203

- 6,095,405 A * 8/2000 Kim B23K 1/005
228/180.21
 - 6,267,630 B1 * 7/2001 Machado H01R 4/02
228/114.5
 - 6,730,848 B1 * 5/2004 Antaya B23K 1/0008
174/117 F
 - 6,870,134 B2 * 3/2005 Sol B32B 17/10036
219/203
 - 7,134,201 B2 * 11/2006 Ackerman H01R 43/0207
219/203
 - 7,270,548 B2 * 9/2007 Jenrich H01R 4/023
439/34
 - 7,301,126 B2 * 11/2007 Mann B32B 17/10018
219/202
 - 8,278,609 B2 10/2012 Reul 219/617
 - 8,853,533 B2 * 10/2014 Jenrich H01R 4/04
174/50
 - D718,253 S * 11/2014 Zerebilov D13/154
- (Continued)

FOREIGN PATENT DOCUMENTS

- DE 102004057630 3/2006
- WO WO2012/152542 11/2012
- WO WO2016/038144 3/2016

Primary Examiner — Mark Goodwin

(74) *Attorney, Agent, or Firm* — Bodner & O'Rourke, LLP; Gerald T. Bodner; Christian P. Bodner

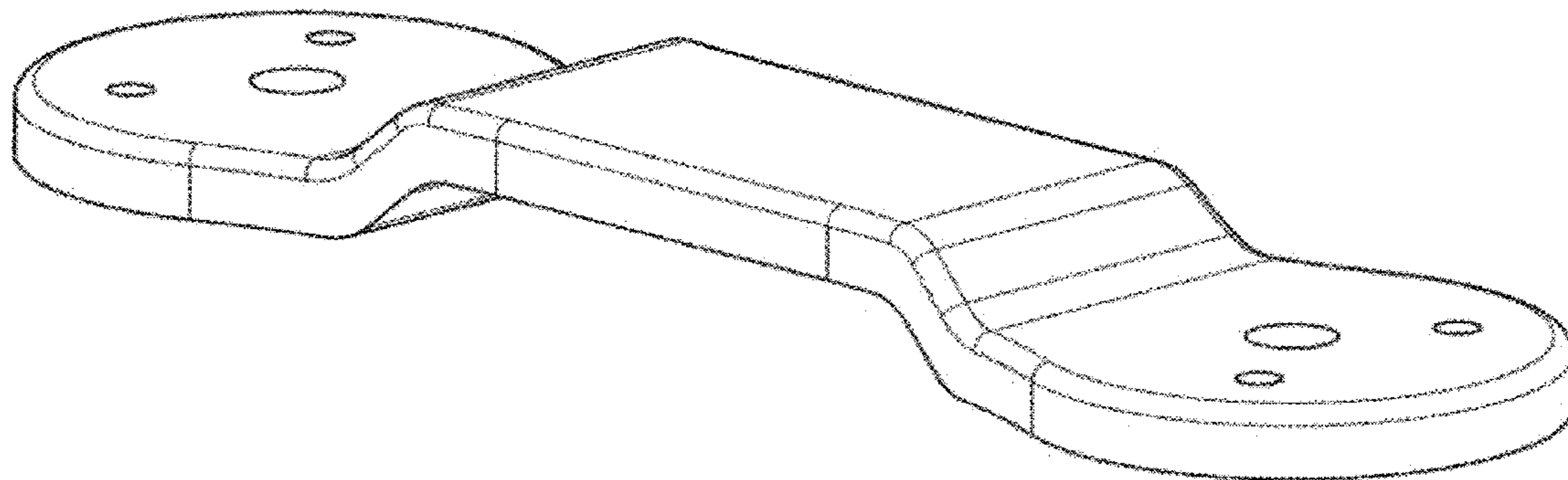
(57) **CLAIM**

The ornamental design of mounting device, substantially as shown and described.

DESCRIPTION

FIG. 1 is a top right perspective view of a mounting device showing my new design, a top left perspective view thereof being the same as the top right perspective view shown in FIG. 1; and, FIG. 2 is a bottom left perspective view thereof, a bottom right perspective view thereof being the same as the bottom left perspective view shown in FIG. 2.

1 Claim, 2 Drawing Sheets



(56)

References Cited

U.S. PATENT DOCUMENTS

8,905,778 B2 * 12/2014 Jenrich H05B 3/86
 439/371
 8,932,074 B2 * 1/2015 Jenrich B32B 17/061
 439/371
 D727,268 S * 4/2015 Buck D13/154
 D727,852 S * 4/2015 Buck D13/154
 9,155,206 B2 * 10/2015 Rateiczak H05B 3/84
 D748,063 S * 1/2016 Buck D13/154
 D750,030 S * 2/2016 Zerebilov D13/154
 9,379,458 B2 * 6/2016 Jenrich H01R 4/023
 D790,471 S * 6/2017 Buck D13/147
 2006/0102610 A1 * 5/2006 Hoepfner H05B 3/84
 219/203
 2009/0170380 A1 * 7/2009 Lyon B32B 17/10036
 439/874
 2009/0277671 A1 * 11/2009 Hahn B32B 17/10036
 174/257
 2011/0104958 A1 * 5/2011 Kwon H01M 2/105
 439/816
 2012/0305311 A1 * 12/2012 Jenrich H01R 4/023
 174/75 R
 2012/0318566 A1 * 12/2012 Reul H05B 3/84
 174/255
 2013/0043066 A1 * 2/2013 Cholewa H01R 4/023
 174/257
 2014/0110166 A1 4/2014 Degen et al. 174/84 R
 2014/0158424 A1 * 6/2014 Schlarb B23K 1/0008
 174/94 R
 2014/0182932 A1 * 7/2014 Cholewa H05B 3/84
 174/84 R
 2015/0236431 A1 * 8/2015 Schmalbuch H01R 4/187
 174/252

* cited by examiner

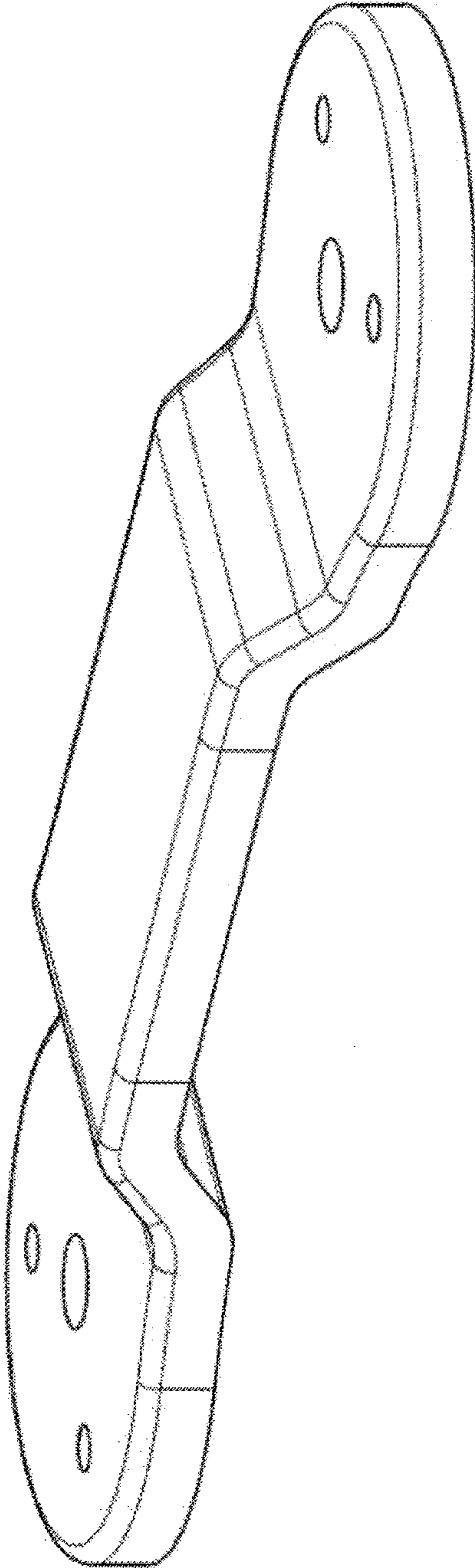


FIG. 1

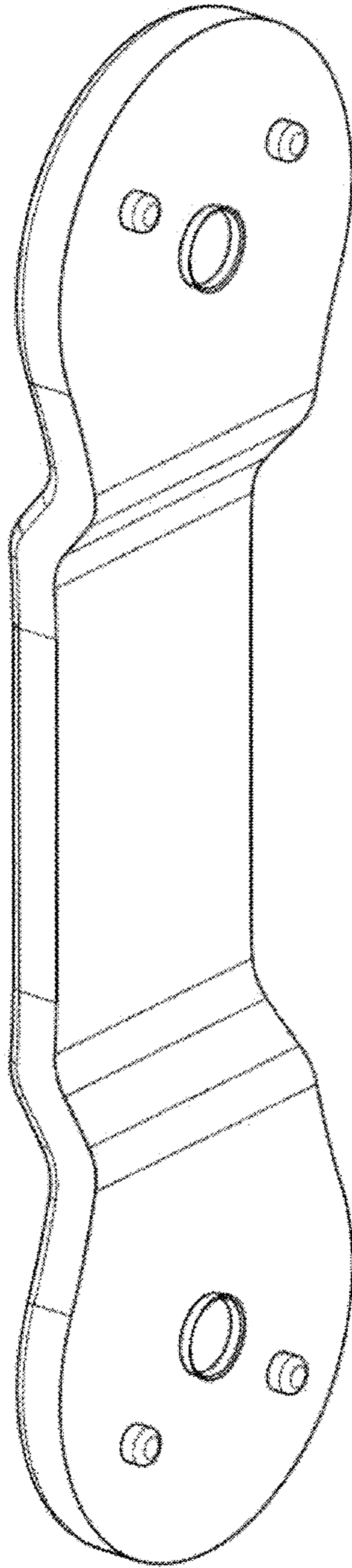


FIG. 2