



US00D815035S

(12) **United States Design Patent**
Xu

(10) **Patent No.:** **US D815,035 S**
(45) **Date of Patent:** **** Apr. 10, 2018**

(54) **CHARGER**

(71) Applicant: **Guangdong BESTEK E-commerce Co., Ltd.**, Shenzhen (CN)

(72) Inventor: **Xinhua Xu**, Shenzhen (CN)

(73) Assignee: **Guangdong BESTEK E-commerce Co., Ltd.**, Shenzhen (CN)

(**) Term: **15 Years**

(21) Appl. No.: **29/603,757**

(22) Filed: **May 12, 2017**

(51) **LOC (11) Cl.** **13-02**

(52) **U.S. Cl.**
USPC **D13/107**

(58) **Field of Classification Search**
USPC D13/107, 108, 109, 110, 118, 119, 184,
D13/103; D14/251, 253, 432, 434
CPC Y02E 60/12; Y02T 90/14; Y02T 90/122;
Y02T 90/128; Y02T 90/163; H02J 7/025;
H02J 7/0042; H02J 7/0044; H02J 7/0045;
H02J 7/0003; H02J 2001/008; H02J 3/32;
H02J 3/008; H02J 7/0027; H02J 7/0013;
H02J 7/0054; H02J 7/00; H01F 38/14;
H01R 13/6675; H01M 2/1022; H01M
2/1055; H01M 10/44; H01M 10/46;
H01M 10/425; B60L 11/182; B60L
11/1809; B60L 11/1861; B60R 16/03
See application file for complete search history.

(56) **References Cited**

U.S. PATENT DOCUMENTS

- 5,019,767 A * 5/1991 Shirai H01M 2/105
224/902
- D643,807 S * 8/2011 Jiang D13/103
- D678,187 S * 3/2013 Huang D13/103

- D687,768 S * 8/2013 Minamikawa D13/107
- D749,506 S * 2/2016 Morgan D13/108
- D756,943 S * 5/2016 Epstein D13/184
- D760,645 S * 7/2016 Chen D13/103
- D768,068 S * 10/2016 Chen D13/103
- D770,376 S * 11/2016 Baum D13/103
- D780,116 S * 2/2017 Bing D13/107
- D806,017 S * 12/2017 Roberts D13/103

OTHER PUBLICATIONS

Amazon.com: RAVPower USB Charger. Published Dec. 24, 2015. Retrieved from the internet at <<https://www.amazon.com/Charger-RAVPower-Desktop-Charging-Station/dp/B018S6X8N8>>, Jan. 15, 2018. 1 page.*

* cited by examiner

Primary Examiner — Rosemary K Tarcza
Assistant Examiner — Christy Nemeth

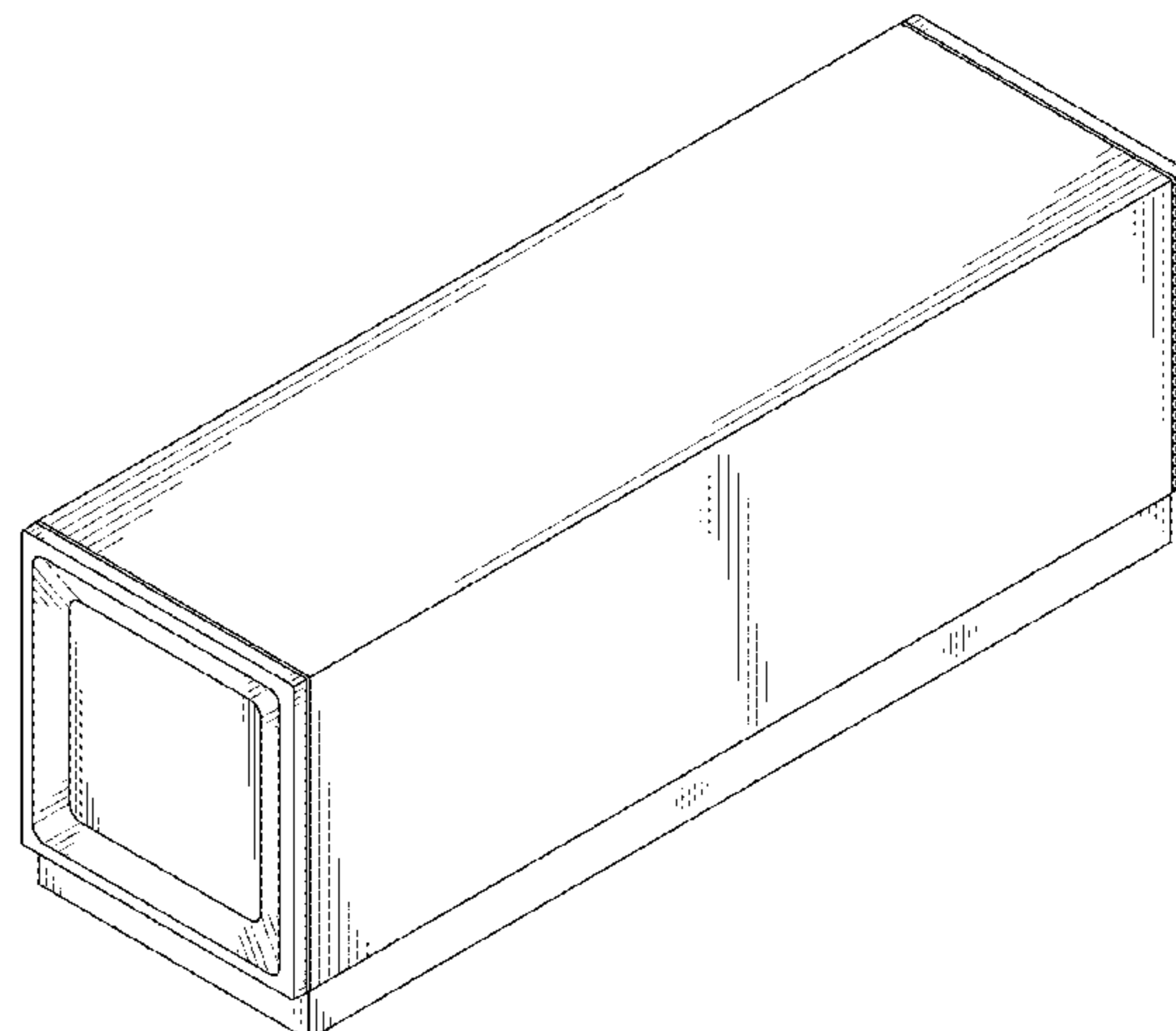
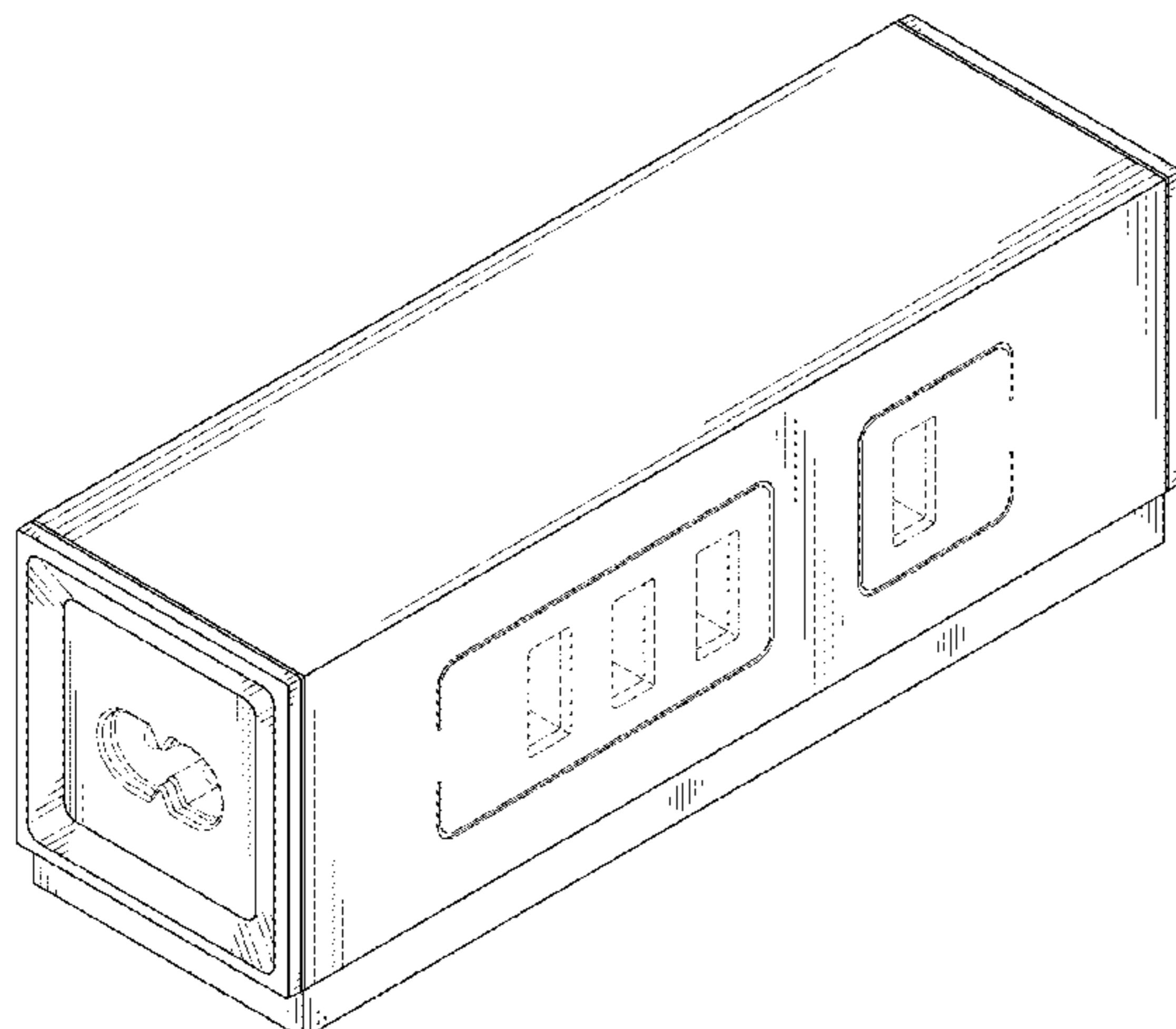
(57) **CLAIM**

The ornamental design for a charger, as shown and described.

DESCRIPTION

FIG. 1 is a front, top, left side perspective view of a charger of my new design;
FIG. 2 is a rear, top, right side perspective view thereof;
FIG. 3 is a front elevation view thereof;
FIG. 4 is a rear elevation view thereof;
FIG. 5 is a left side elevation view thereof;
FIG. 6 is a right side elevation view thereof;
FIG. 7 is a top plan view thereof; and,
FIG. 8 is a bottom plan view thereof.
The broken lines in the drawings are for the purpose of illustrating portions of the charger that form no part of the claimed design.

1 Claim, 8 Drawing Sheets



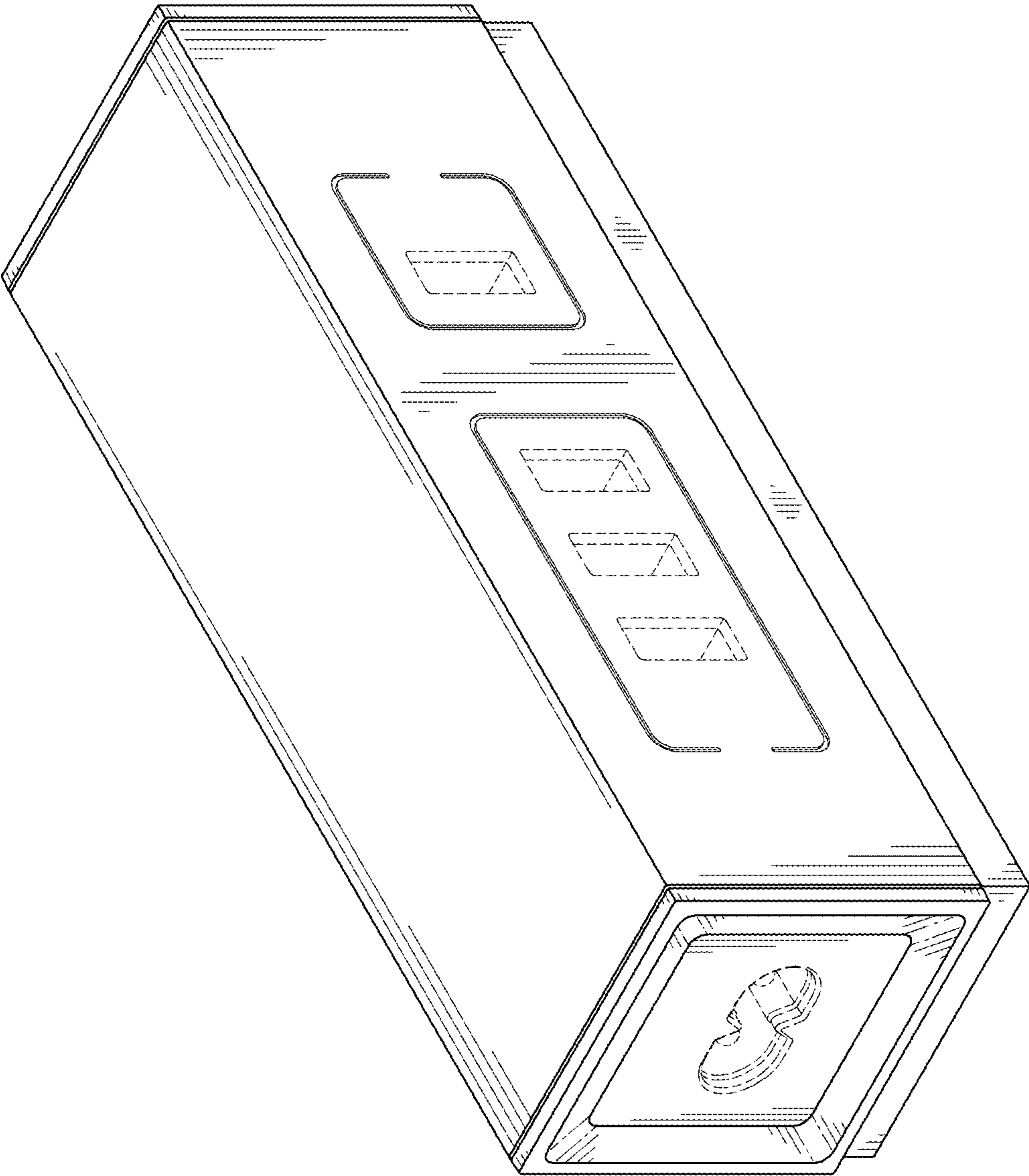


FIG. 1

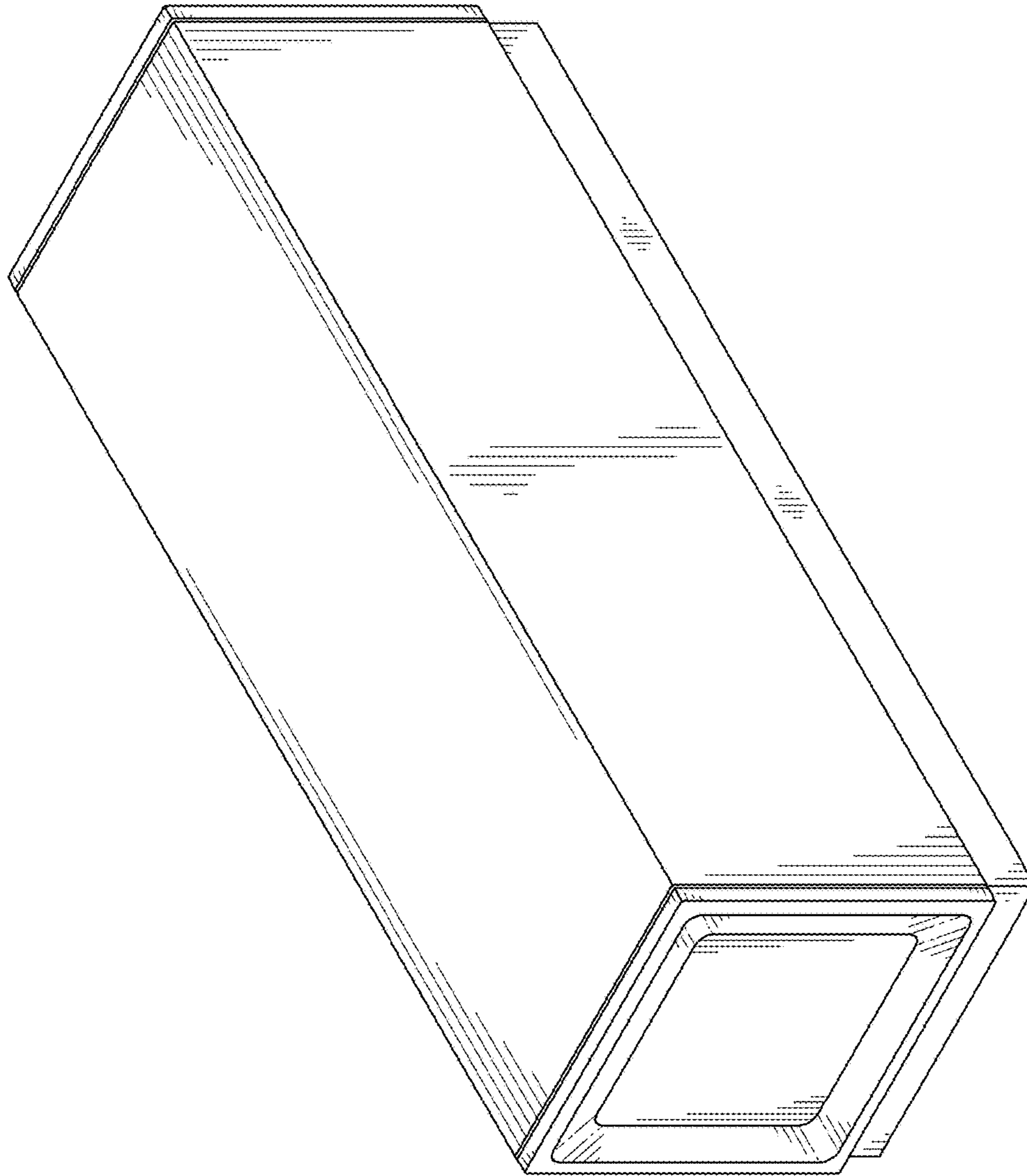


FIG. 2

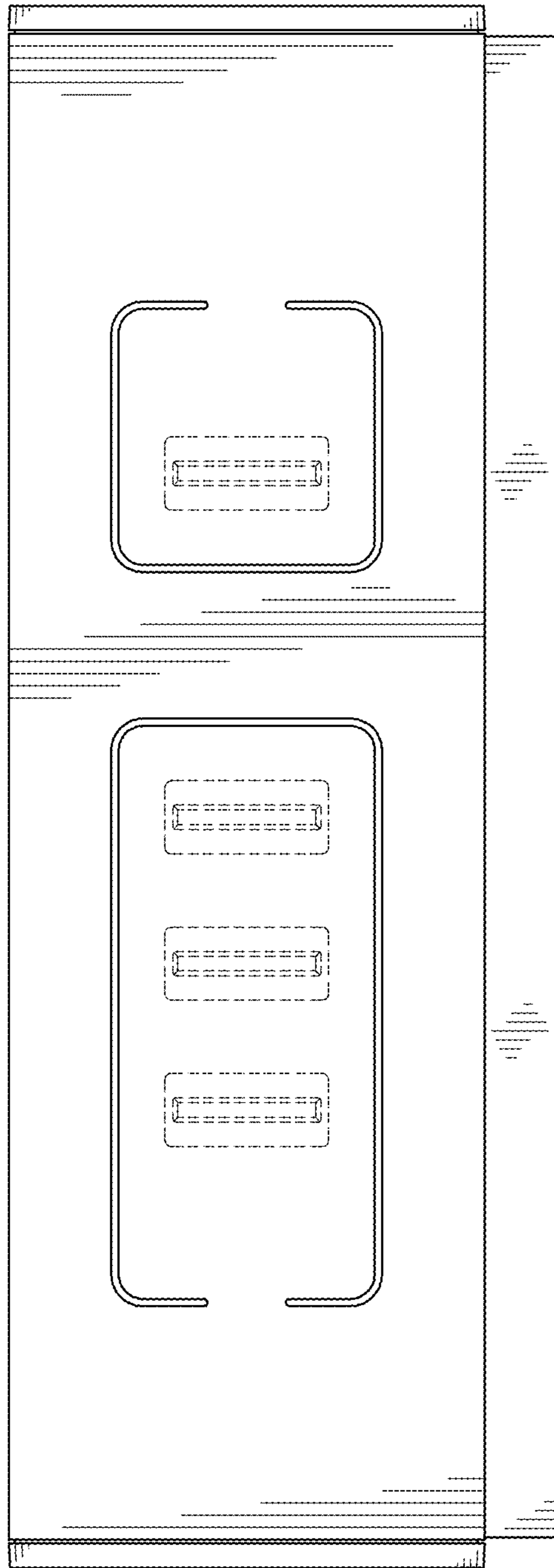


FIG. 3

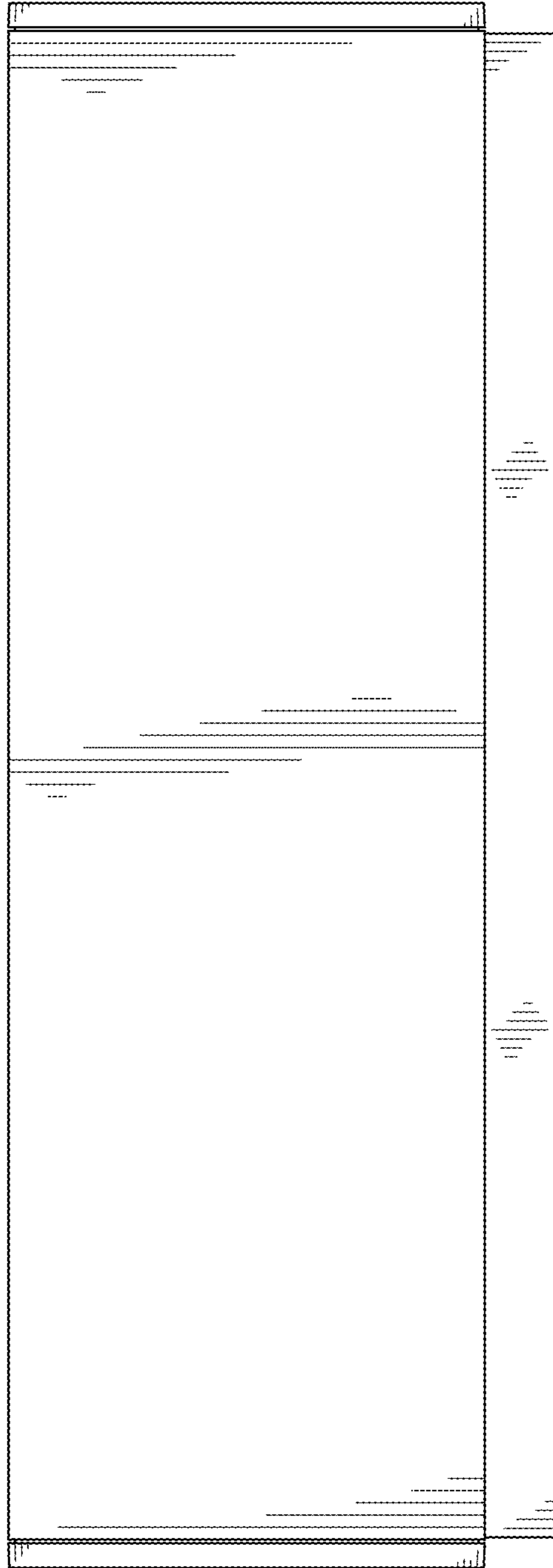


FIG. 4

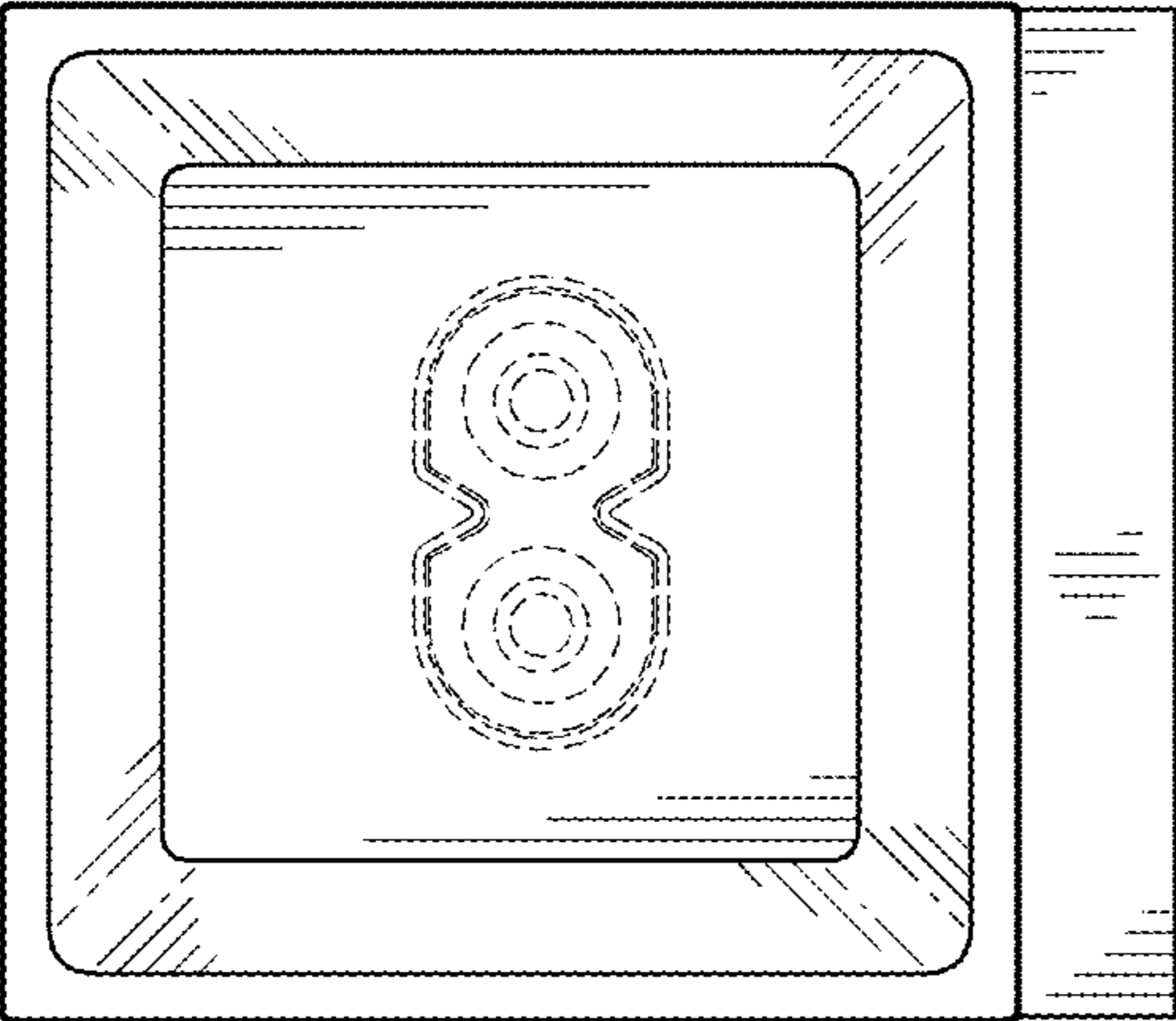


FIG. 5

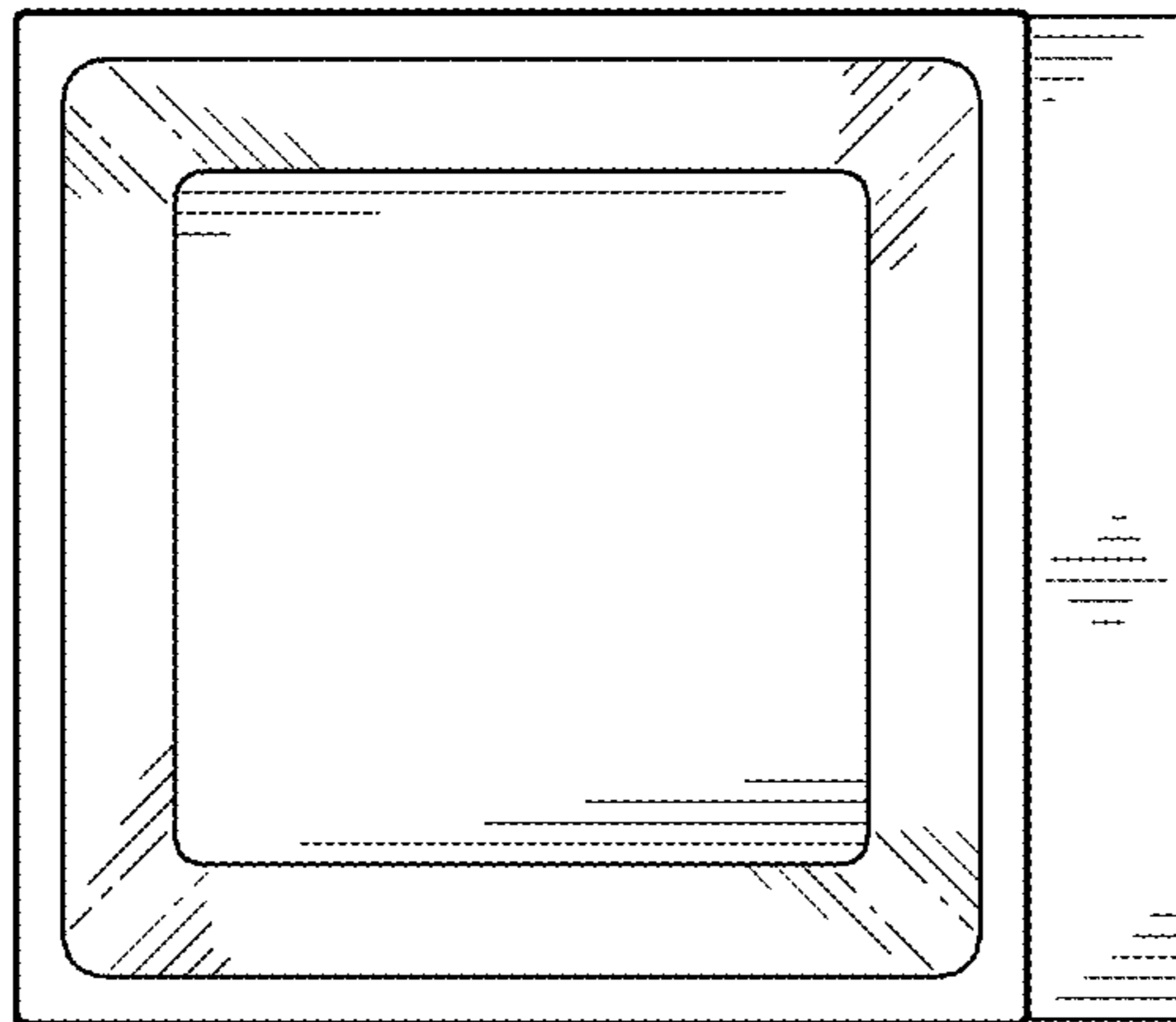


FIG. 6

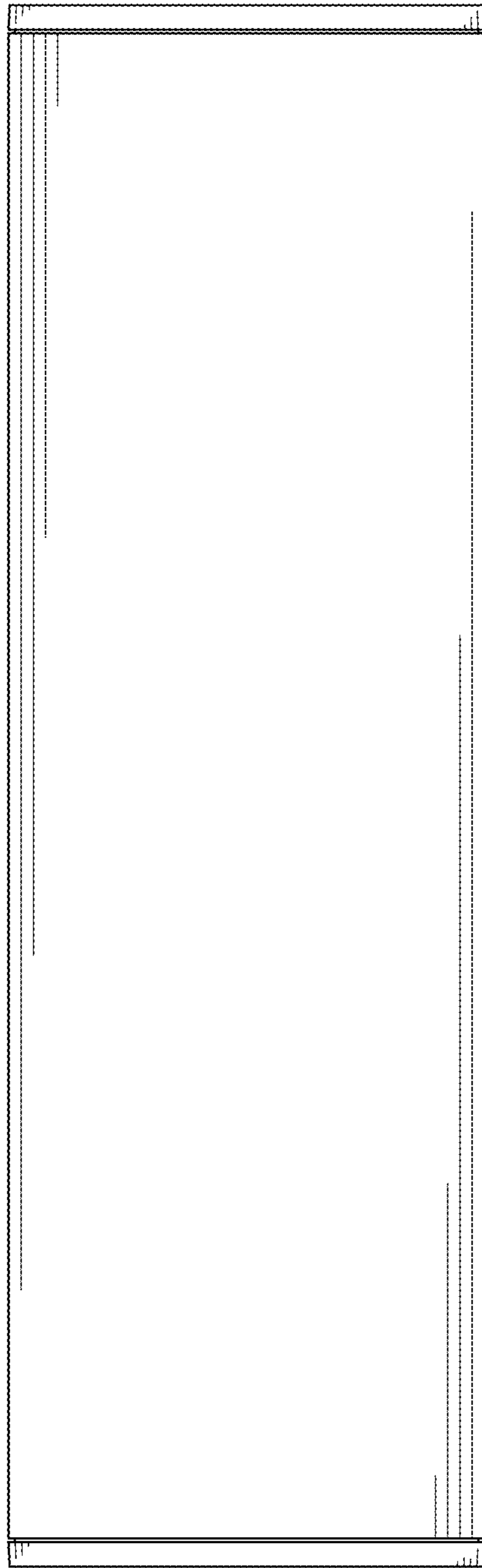


FIG. 7

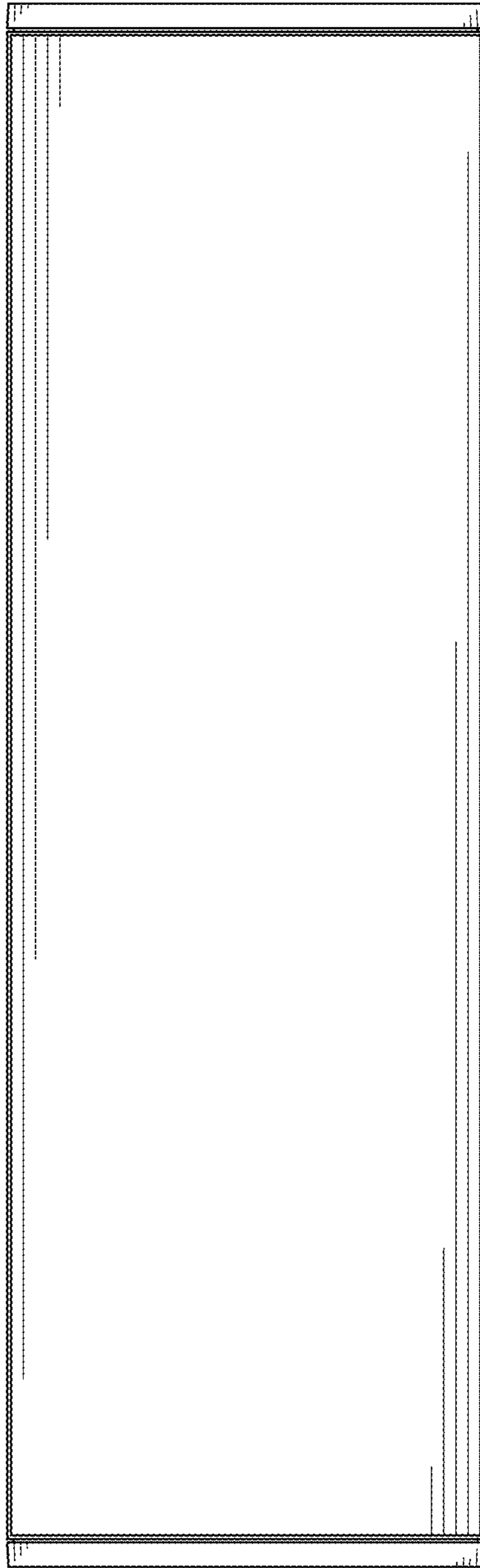


FIG. 8