



US00D815034S

(12) **United States Design Patent**
Zhao et al.

(10) **Patent No.:** **US D815,034 S**
(45) **Date of Patent:** **** Apr. 10, 2018**

(54) **BATTERY CHARGER**

(71) Applicant: **SZ DJI Technology Co., Ltd.**,
Shenzhen (CN)

(72) Inventors: **Tao Zhao**, Shenzhen (CN); **Kenan Li**,
Shenzhen (CN); **Yun Zhao**, Shenzhen
(CN)

(73) Assignee: **SZ DJI Technology Co., Ltd.**,
Shenzhen (CN)

(**) Term: **15 Years**

(21) Appl. No.: **29/579,395**

(22) Filed: **Sep. 29, 2016**

(51) **LOC (11) Cl.** **13-02**

(52) **U.S. Cl.**
USPC **D13/107**

(58) **Field of Classification Search**
USPC D13/102–110, 118–119, 184, 199;
D14/251, 253, 432, 434
CPC Y02E 60/12; Y02T 90/14; Y02T 90/122;
Y02T 90/128; Y02T 90/163; H02J 7/025;
H02J 7/0042; H02J 7/0044; H02J 7/0045;
H02J 7/0003; H01F 38/14; H01R
13/6675; H01M 2/1022; H01M 2/1055;
H01M 10/44; H01M 10/46; H01M
10/425; B60L 11/182
See application file for complete search history.

(56) **References Cited**

U.S. PATENT DOCUMENTS

D364,165 S * 11/1995 Esslinger D14/213
D509,825 S * 9/2005 Chen D14/300

D588,579 S * 3/2009 Ross D14/217
D664,920 S * 8/2012 Huang D13/107
D687,017 S * 7/2013 Ashcraft D14/216
D694,746 S * 12/2013 Akana D14/314
D737,789 S * 9/2015 Leung D14/125
D744,541 S * 12/2015 Langhammer D14/203.1
D758,304 S * 6/2016 Wright D13/107
D763,210 S * 8/2016 Park D14/125
D780,115 S * 2/2017 Huang D13/107
D784,271 S * 4/2017 Burke D13/168
D792,397 S * 7/2017 Ma D14/358

* cited by examiner

Primary Examiner — Rosemary K Tarca

Assistant Examiner — Alison M Ofstun

(74) *Attorney, Agent, or Firm* — Sterne, Kessler,
Goldstein & Fox P.L.L.C.

(57) **CLAIM**

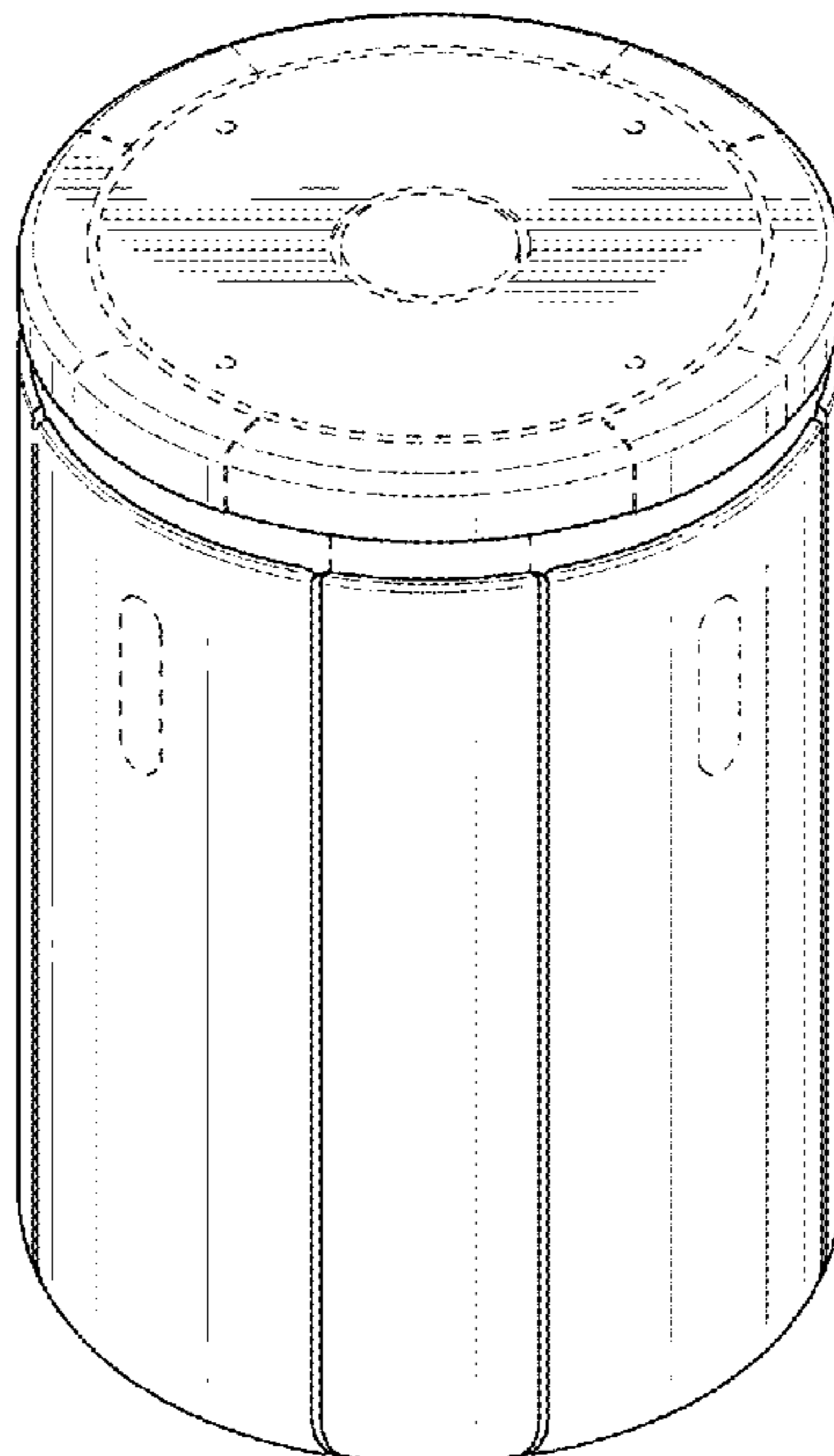
The ornamental design for a battery charger, as shown and described.

DESCRIPTION

FIG. 1 is a top front perspective view of a battery charger showing the claimed design;
FIG. 2 is a front view thereof;
FIG. 3 is a rear view thereof;
FIG. 4 is a left side view thereof;
FIG. 5 is a right side view thereof;
FIG. 6 is a top view thereof; and,
FIG. 7 is a bottom view thereof.

The broken lines in the figures show portions of the battery charger that form no part of the claimed design.

1 Claim, 3 Drawing Sheets



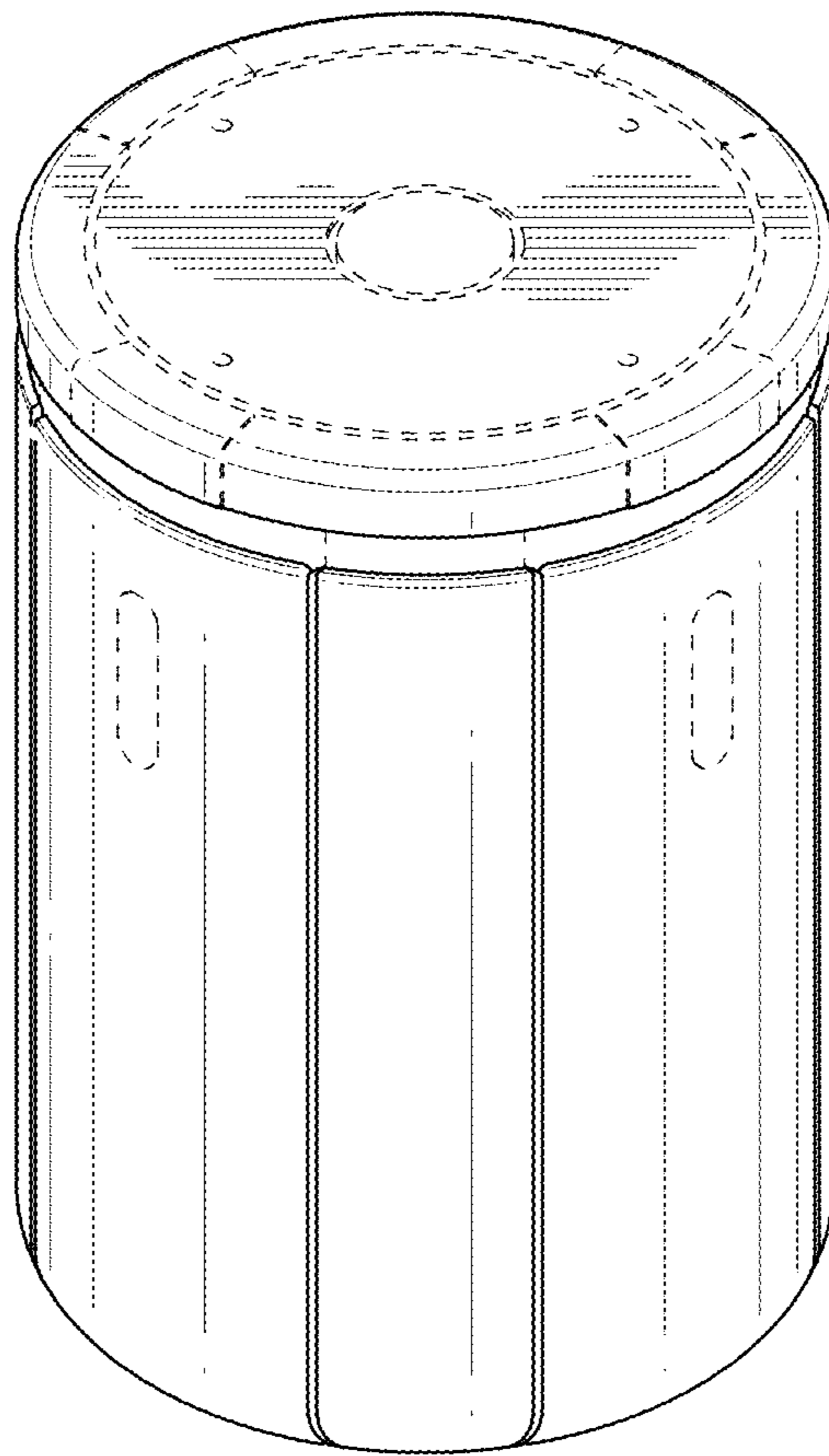


FIG. 1

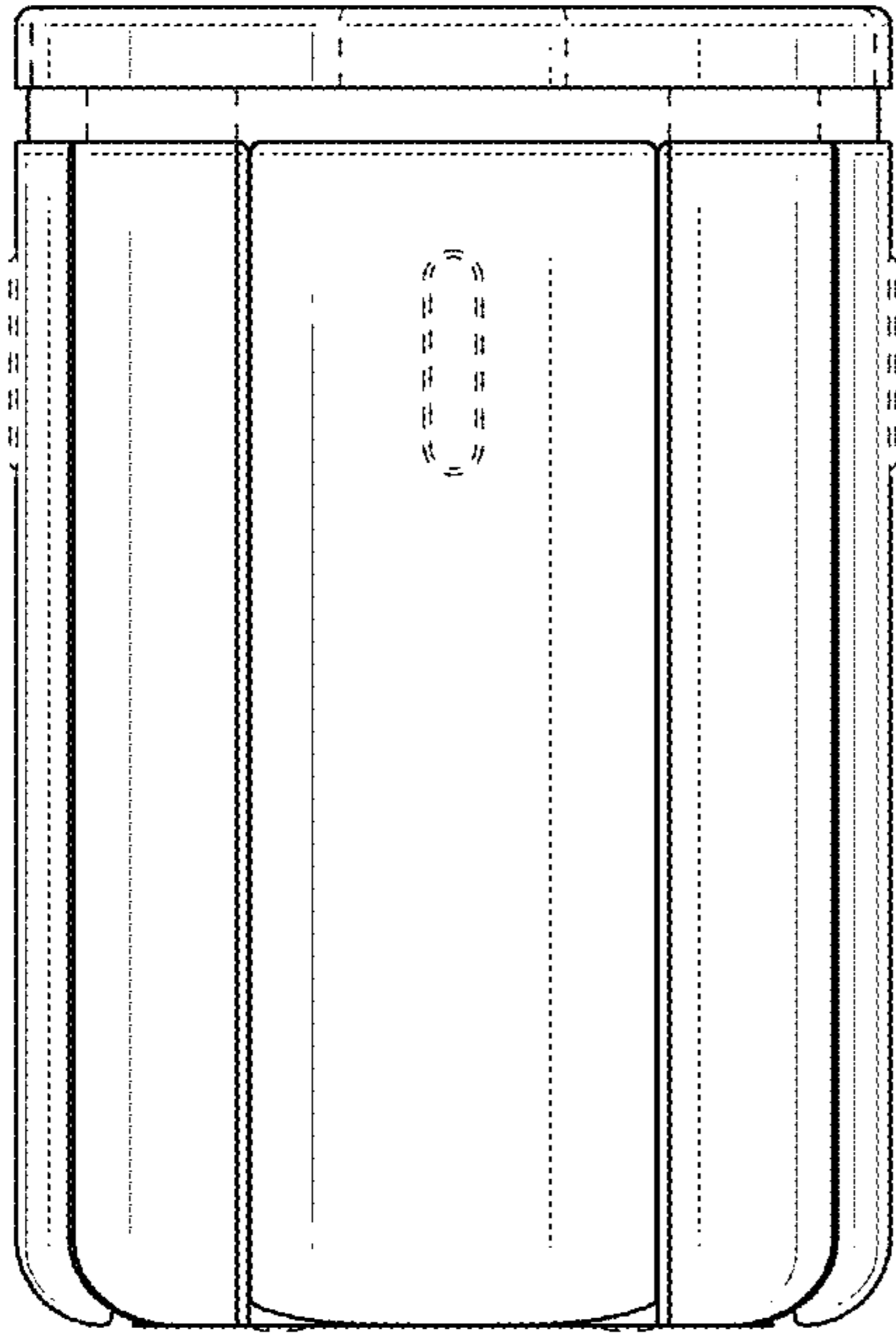


FIG. 2

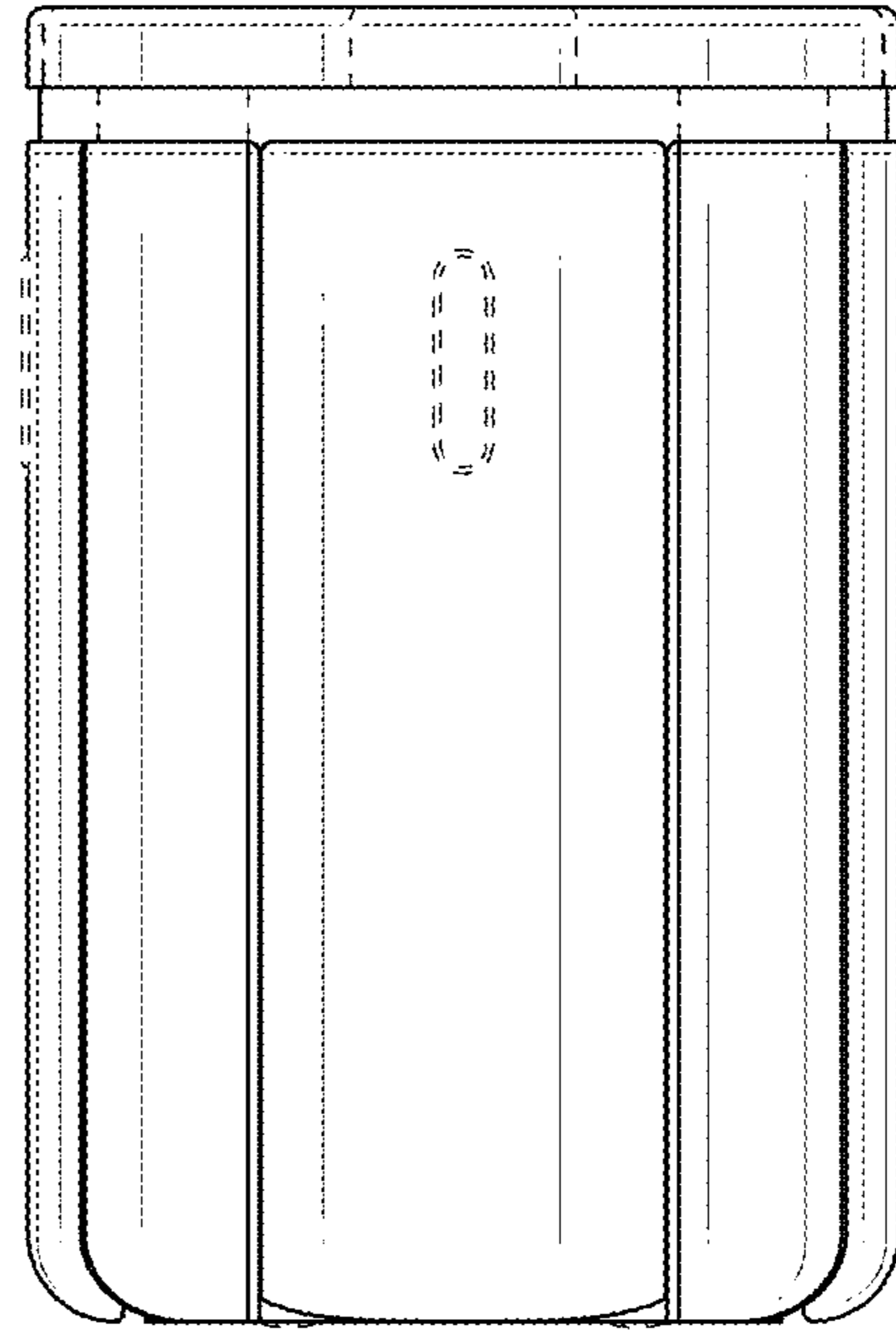


FIG. 3

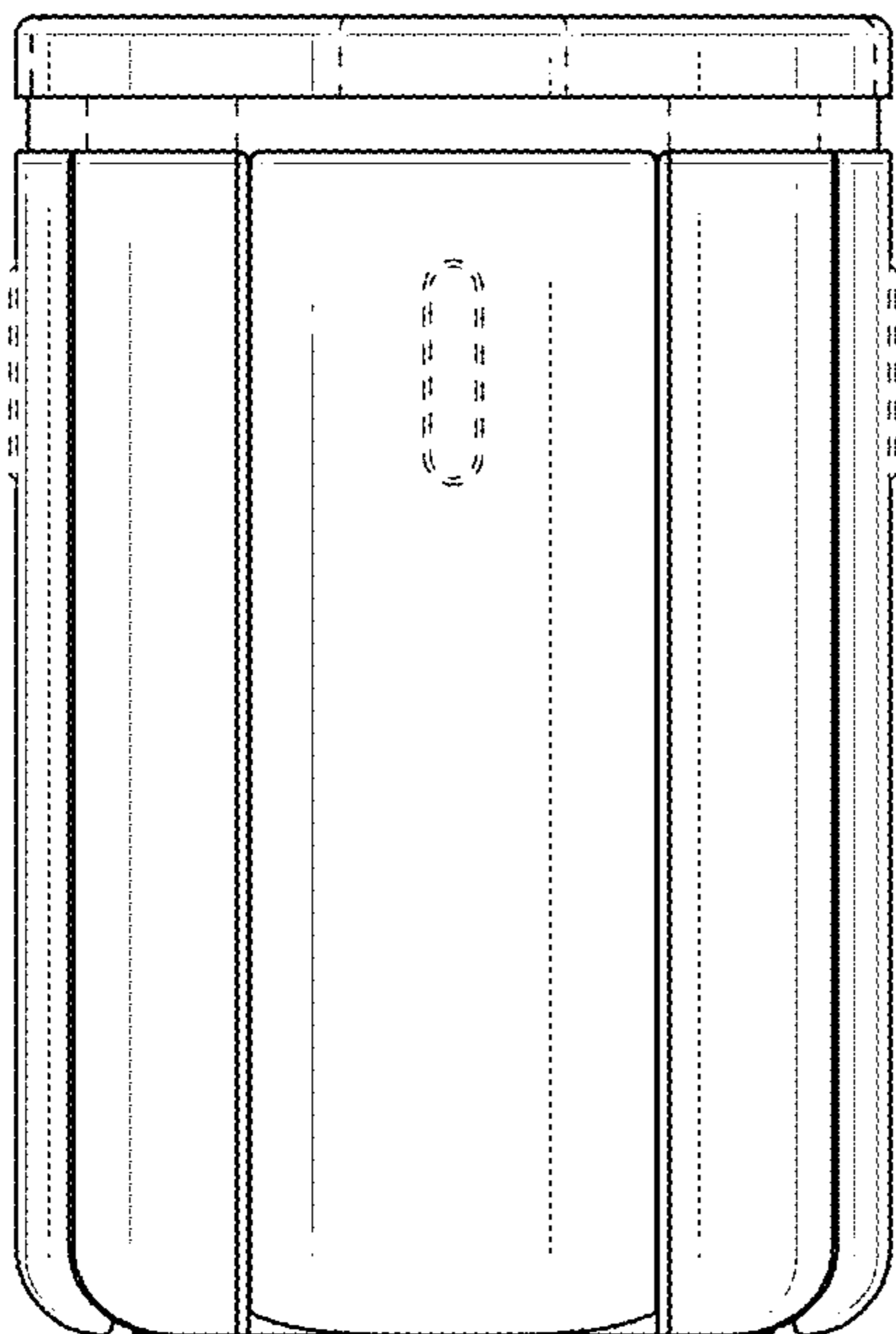


FIG. 4

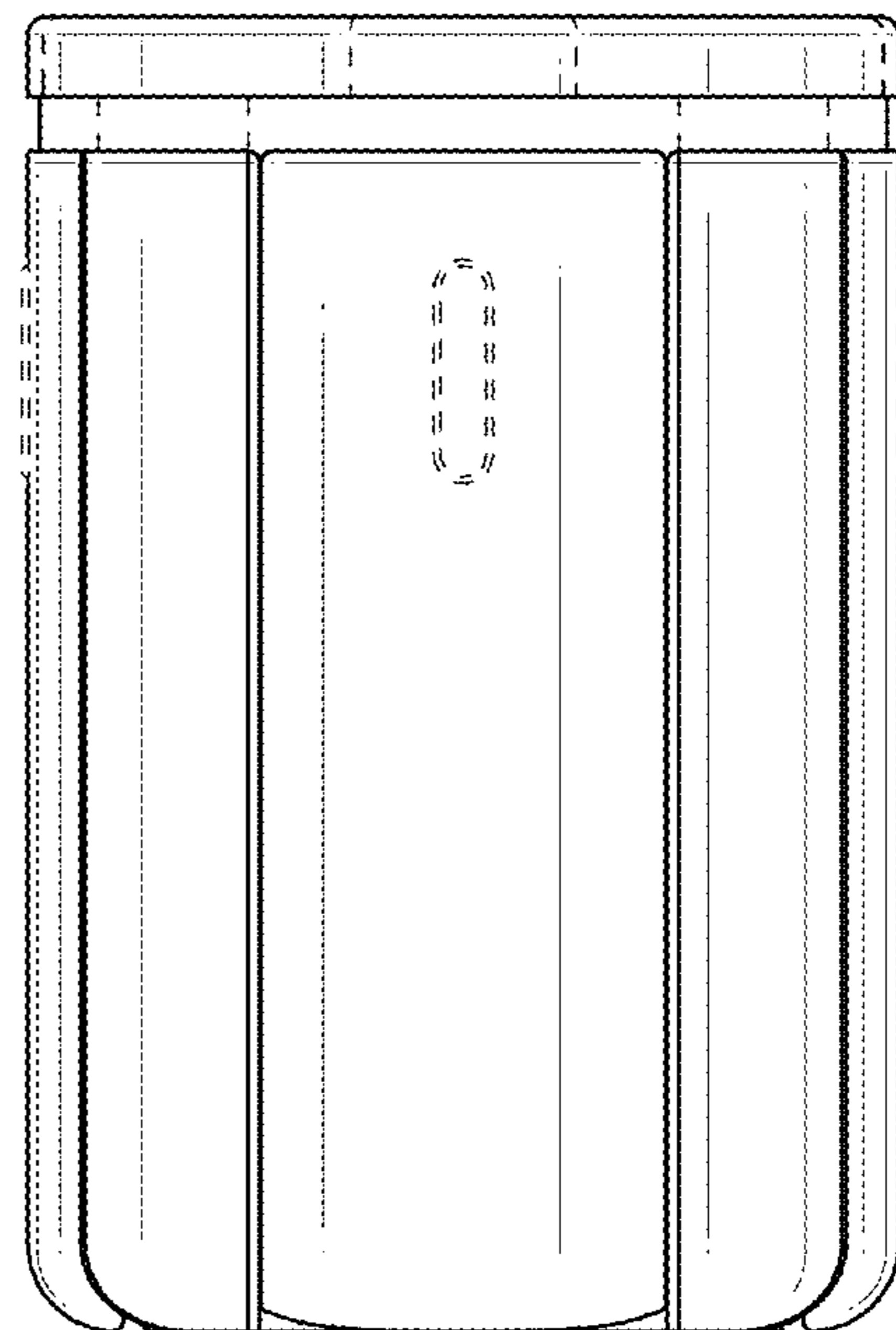


FIG. 5

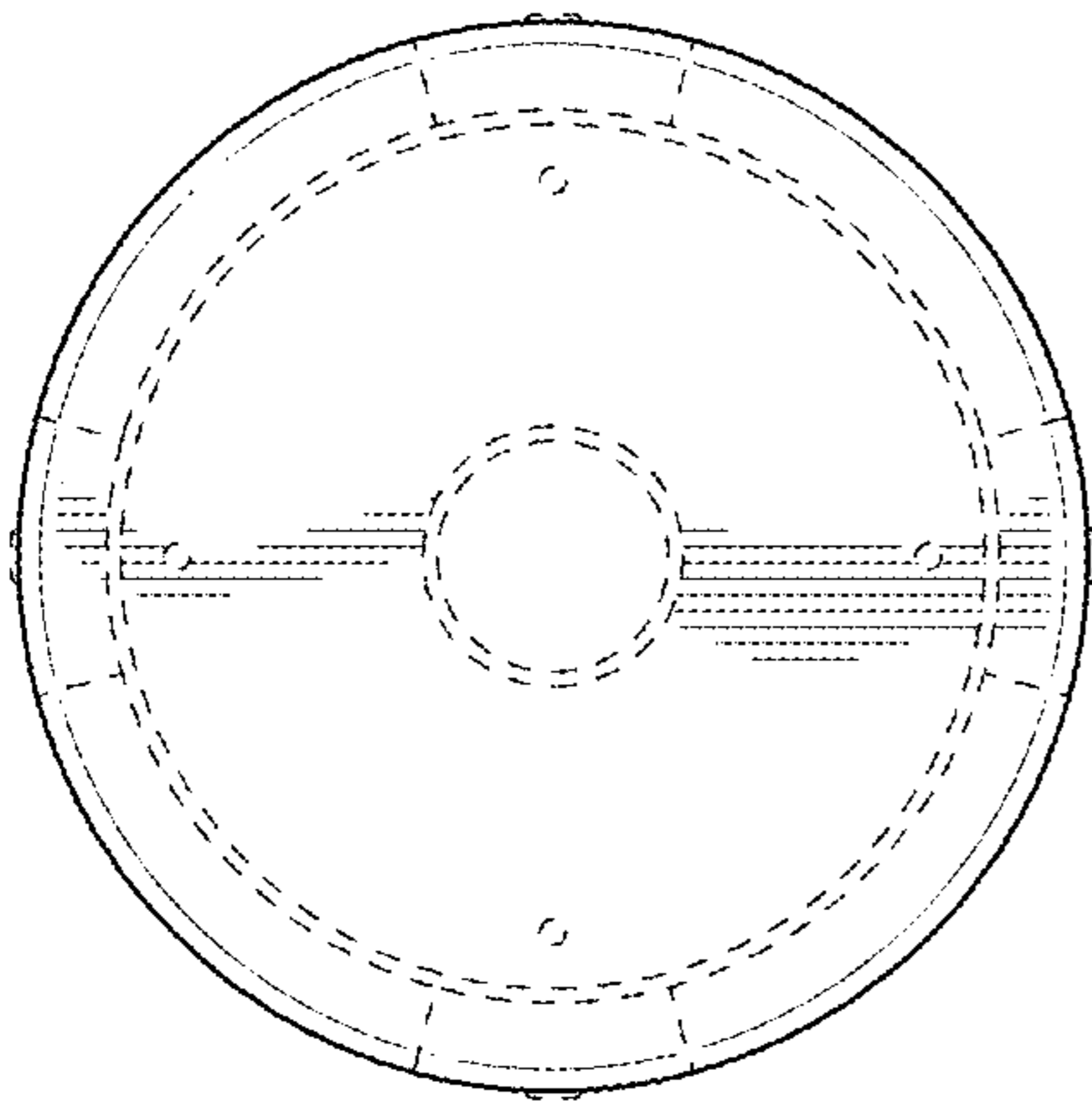


FIG. 6

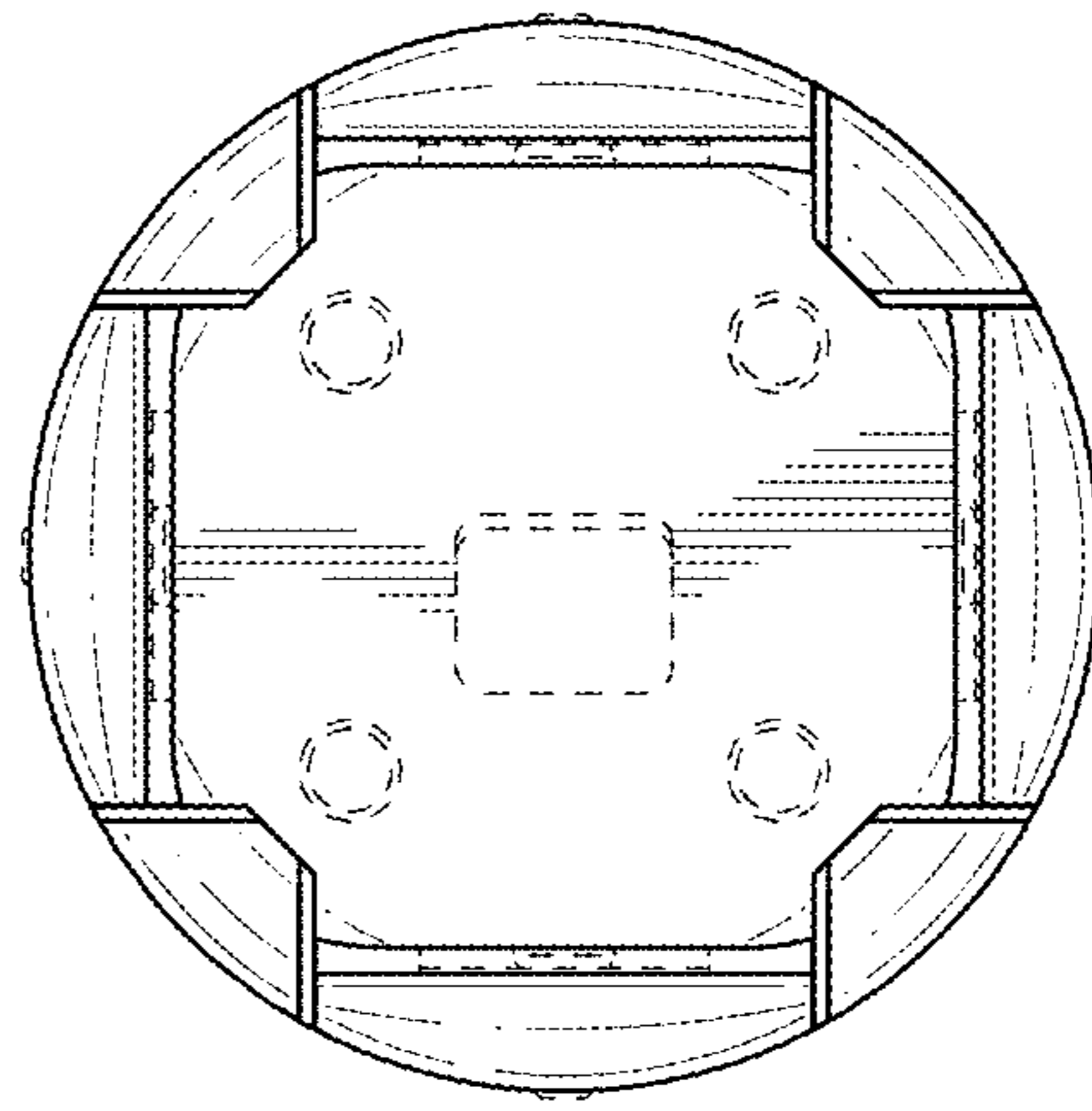


FIG. 7