



US00D815032S

(12) **United States Design Patent** (10) **Patent No.:** **US D815,032 S**  
**Lin** (45) **Date of Patent:** **\*\* Apr. 10, 2018**

(54) **RECHARGEABLE BATTERY DEVICE**

(71) Applicant: **Limefuel, LLC**, Boulder, CO (US)

(72) Inventor: **Paul Lin**, Boulder, CO (US)

(73) Assignee: **LIMEFUEL, LLC**, Boulder, CO (US)

(\*\*) Term: **14 Years**

(21) Appl. No.: **29/518,222**

(22) Filed: **Feb. 20, 2015**

(51) **LOC (11) Cl.** ..... **13-02**

(52) **U.S. Cl.**  
USPC ..... **D13/103**

(58) **Field of Classification Search**

USPC ..... D13/102-104, 110, 118-121, 184, 199;  
429/96-100, 163, 176  
CPC ..... Y02E 60/12; Y02E 60/122; Y02E 60/124;  
Y02E 60/50; H01M 2/02; H01M 2/022;  
H01M 2/0202; H01M 2/0207; H01M  
2/0212; H01M 2/1061; H01M 2/1022;  
H01M 2/1055; H01M 2/1066; H01M  
2/105; H01M 2/204; H01M 10/4257;  
H01M 10/0436; H01M 10/48

See application file for complete search history.

(56) **References Cited**

**U.S. PATENT DOCUMENTS**

D311,373 S	10/1990	Morisse et al.	
D320,212 S	9/1991	Someya	
D357,896 S *	5/1995	Berry	D13/103
D363,056 S	10/1995	Vinciarelli et al.	
D375,933 S *	11/1996	Kao	D13/103
D382,536 S	8/1997	Amero, Jr.	
D383,725 S	9/1997	Settsu	
D409,136 S *	5/1999	Sumita	D13/103
D409,623 S	5/1999	Bianco	

(Continued)

**OTHER PUBLICATIONS**

U.S. Appl. No. 29/479,883, filed Jan. 21, 2014, Lin.

(Continued)

*Primary Examiner* — Rosemary K Tarcza

(74) *Attorney, Agent, or Firm* — Sheridan Ross PC

(57) **CLAIM**

The ornamental design for a rechargeable battery device, as shown and described.

**DESCRIPTION**

FIG. 1 is a rear perspective view of a rechargeable battery device;

FIG. 2 is a front perspective view thereof;

FIG. 3 is a bottom plan view thereof;

FIG. 4 is a top plan view thereof;

FIG. 5 is a front elevation view thereof;

FIG. 6 is a rear elevation view thereof;

FIG. 7 is a left elevation view thereof;

FIG. 8 is a right elevation view thereof;

FIG. 9 is a rear perspective view of a rechargeable battery device according to another embodiment;

FIG. 10 is a front perspective view of the embodiment of FIG. 9;

FIG. 11 is a bottom plan view of the embodiment of FIG. 9;

FIG. 12 is a top plan view of the embodiment of FIG. 9;

FIG. 13 is a front elevation view of the embodiment of FIG. 9;

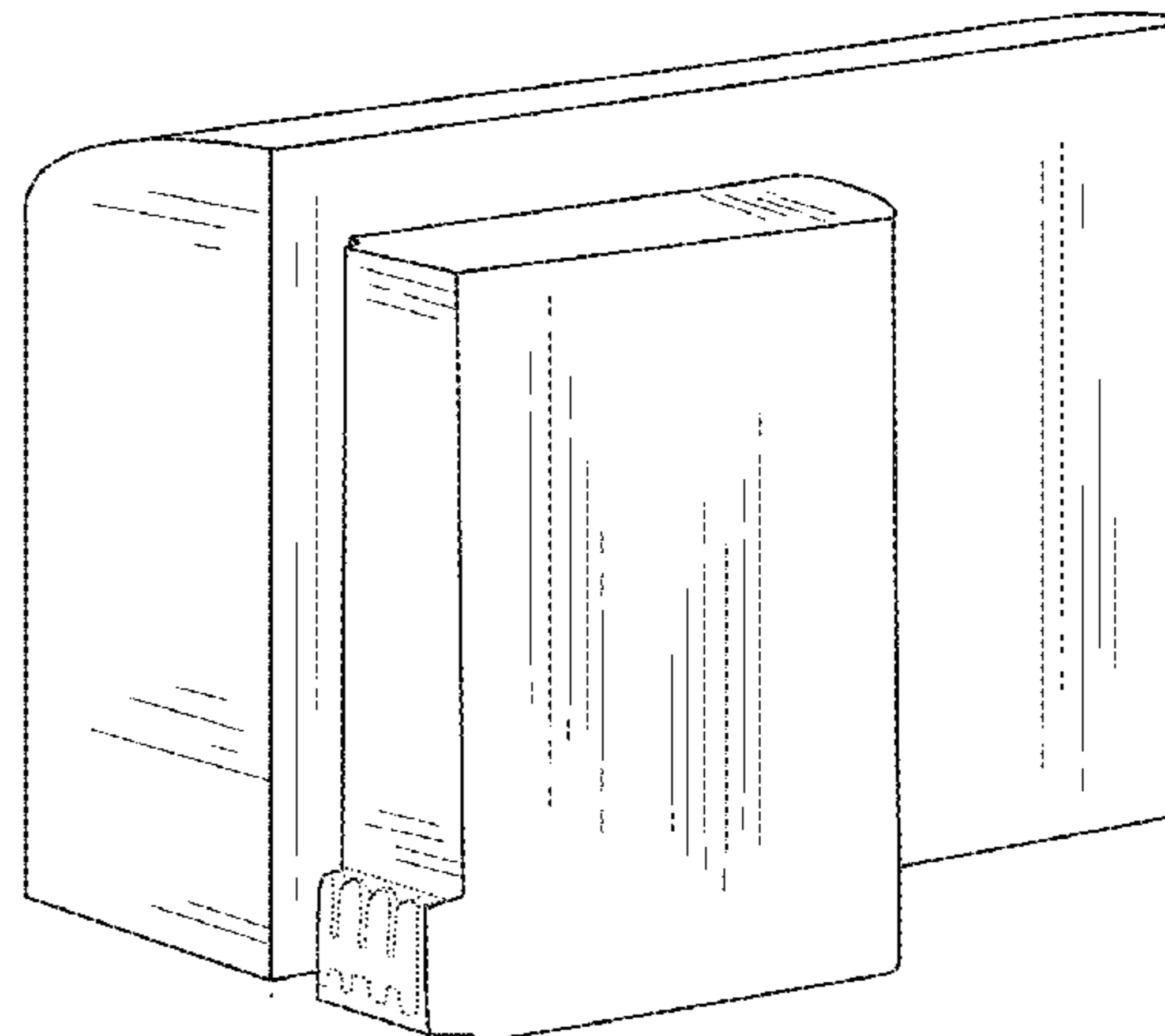
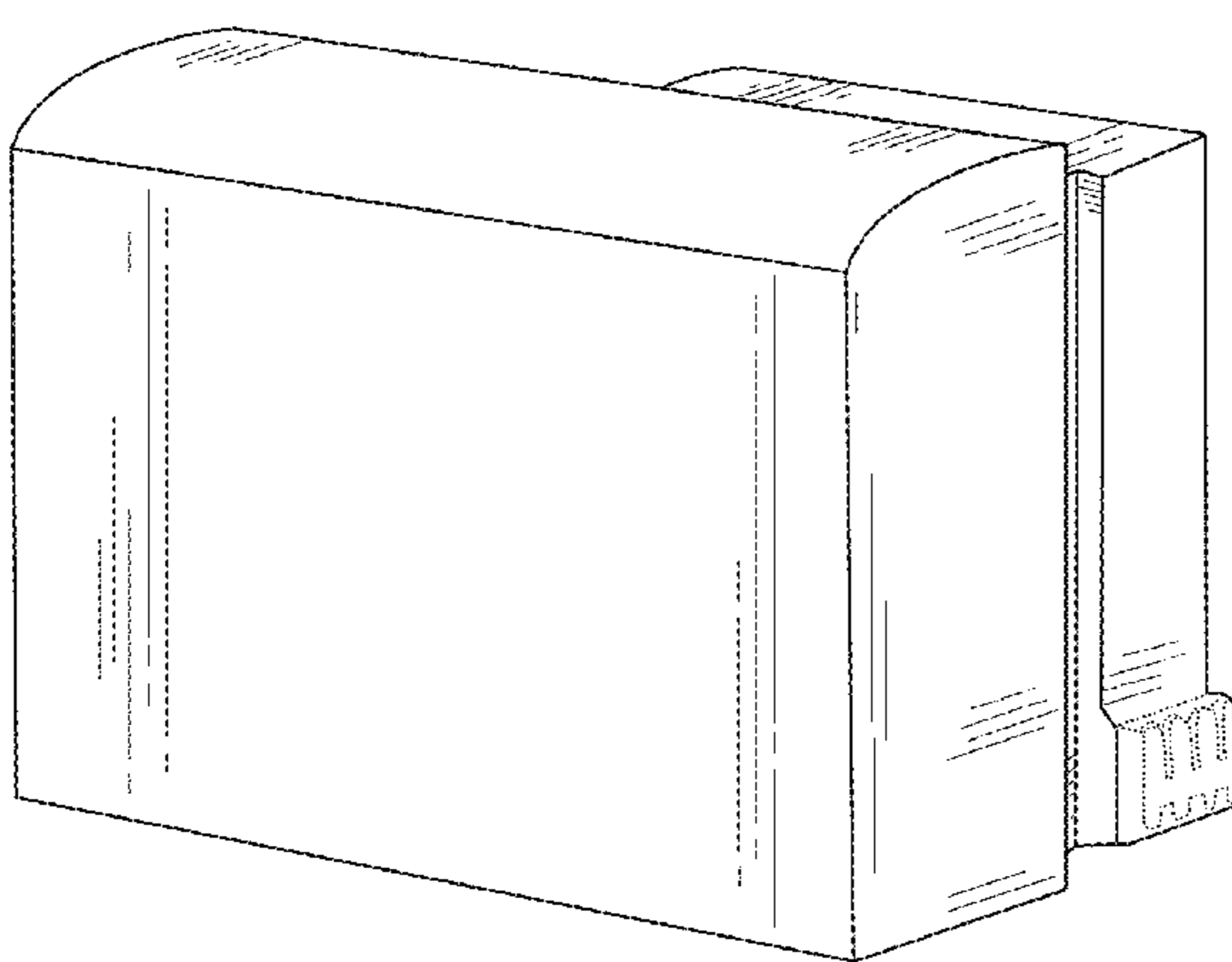
FIG. 14 is a rear elevation view of the embodiment of FIG. 9;

FIG. 15 is a left elevation view of the embodiment of FIG. 9; and,

FIG. 16 is a right elevation view of the embodiment of FIG. 9.

The broken lines shown in the drawings are included for the purpose of illustrating unclaimed portions of the rechargeable battery device, and form no part of the claimed design.

**1 Claim, 8 Drawing Sheets**



(56)

## References Cited

## U.S. PATENT DOCUMENTS

- D417,861 S 12/1999 Maeyama  
D418,107 S 12/1999 Murray et al.  
D419,131 S \* 1/2000 Andrews ..... D13/103  
6,153,834 A 11/2000 Cole et al.  
D438,169 S \* 2/2001 Minagawa ..... D13/103  
6,394,343 B1 5/2002 Berg et al.  
6,406,811 B1 6/2002 Hall et al.  
6,499,190 B2 12/2002 Ruiz Rodriguez  
D468,720 S 1/2003 Birkholz  
6,617,063 B1 \* 9/2003 Ohnishi ..... G06F 1/1616  
429/122  
D496,906 S \* 10/2004 Vinciarelli ..... D13/110  
D506,438 S 6/2005 Vinciarelli et al.  
D509,472 S 9/2005 Vinciarelli et al.  
D517,476 S 3/2006 Green  
D524,242 S 7/2006 Adams et al.  
D531,134 S 10/2006 Nielsen et al.  
D580,953 S 11/2008 Andre et al.  
D593,489 S 6/2009 Yang  
D593,940 S 6/2009 Nomi et al.  
D601,490 S 10/2009 Zhu et al.  
D601,494 S 10/2009 Otani et al.  
D608,276 S 1/2010 Takeshita et al.  
D611,407 S 3/2010 Webb  
D622,213 S 8/2010 Nomi et al.  
D629,365 S 12/2010 Garcia De Vicuna  
D637,552 S 5/2011 Inman et al.  
D642,517 S 8/2011 Inman et al.  
D644,988 S 9/2011 Finney et al.  
D645,814 S 9/2011 Otani et al.  
D646,222 S 10/2011 Tatehata et al.  
D662,044 S 6/2012 Lemelman et al.  
D669,427 S 10/2012 Ignor et al.  
8,361,645 B2 \* 1/2013 Kim ..... H01M 2/0404  
429/121  
D678,187 S \* 3/2013 Huang ..... D13/103  
D682,778 S 5/2013 Baumgartner et al.  
D684,926 S 6/2013 Murchison  
D685,319 S 7/2013 Ignor et al.  
D689,019 S \* 9/2013 Sato ..... D13/103  
D700,139 S \* 2/2014 Chan ..... D13/103  
8,658,294 B2 \* 2/2014 Jang ..... H01M 2/1061  
429/61  
D705,782 S 5/2014 McParland et al.  
D708,571 S \* 7/2014 Ji ..... D13/103  
D709,440 S \* 7/2014 Kwon ..... D13/103  
D709,441 S \* 7/2014 Kwon ..... D13/103  
D709,442 S \* 7/2014 Kwon ..... D13/103  
D709,443 S \* 7/2014 Kwon ..... D13/103  
D711,311 S 8/2014 Corbin et al.  
D712,346 S \* 9/2014 Kwon ..... D13/103  
D712,825 S \* 9/2014 Kwon ..... D13/103  
D715,219 S 10/2014 Ceyress et al.  
D716,221 S \* 10/2014 Kwon ..... D13/103  
D716,222 S \* 10/2014 Kwon ..... D13/103  
D716,722 S \* 11/2014 Kwon ..... D13/103  
D719,087 S 12/2014 Bataillou et al.  
D724,013 S 3/2015 Zsolcsak et al.  
D724,019 S \* 3/2015 Kwon ..... D13/103  
D724,020 S 3/2015 Kwon et al.  
D724,528 S 3/2015 Kwon et al.  
D724,529 S \* 3/2015 Kwon ..... D13/103  
D724,530 S \* 3/2015 Kwon ..... D13/103  
D724,533 S 3/2015 Kwon et al.  
D724,538 S 3/2015 Baumgartner et al.  
D725,590 S 3/2015 Clyne et al.  
D727,254 S \* 4/2015 Kinoshita ..... D13/103  
8,999,536 B2 \* 4/2015 Kwag ..... H01M 2/204  
429/7  
D729,727 S \* 5/2015 Lin ..... D13/103  
D731,419 S 6/2015 Kao et al.  
D733,051 S 6/2015 Wang  
D742,312 S 11/2015 Gupta et al.  
D743,329 S 11/2015 Aiken et al.  
D743,333 S 11/2015 Nomi  
9,214,651 B1 12/2015 Ahn et al.  
9,214,671 B2 12/2015 Saruwatari et al.  
9,219,257 B2 12/2015 Yamaguchi et al.  
9,224,516 B2 12/2015 Nelson et al.  
9,231,236 B2 1/2016 Koh  
9,231,238 B2 1/2016 Noda et al.  
9,263,744 B2 2/2016 Yamamoto et al.  
D751,499 S \* 3/2016 Phillips ..... D13/103  
D751,981 S \* 3/2016 Lin ..... D13/103  
D751,982 S \* 3/2016 Lin ..... D13/103  
D751,983 S \* 3/2016 Lin ..... D13/103  
D751,984 S \* 3/2016 Lin ..... D13/103  
D752,509 S \* 3/2016 Lin ..... D13/103  
D752,510 S \* 3/2016 Lin ..... D13/103  
2009/0098443 A1 4/2009 Yamamoto et al.  
2011/0117418 A1 5/2011 Meintschel  
2013/0202932 A1 8/2013 Song et al.  
2014/0072850 A1 3/2014 Kwon  
2015/0288021 A1 10/2015 Kwon  
2015/0318579 A1 11/2015 Kwon  
2015/0380715 A1 12/2015 Ahn  
2016/0013680 A1 1/2016 Liang  
2016/0036012 A1 2/2016 Kreitman  
2016/0072154 A1 3/2016 Kim  
2016/0079635 A1 3/2016 Niwa  
2016/0093837 A1 3/2016 Bushnell  
2016/0104919 A1 4/2016 Arishima

## OTHER PUBLICATIONS

- U.S. Appl. No. 29/491,238, filed May 19, 2014, Lin.  
U.S. Appl. No. 29/502,977, filed Sep. 22, 2014, Lin.  
U.S. Appl. No. 29/502,983, filed Sep. 22, 2014, Lin.  
U.S. Appl. No. 29/502,985, filed Sep. 22, 2014, Lin.  
U.S. Appl. No. 29/502,986, filed Sep. 22, 2014, Lin.  
U.S. Appl. No. 29/502,988, filed Sep. 22, 2014, Lin.  
U.S. Appl. No. 29/502,990, filed Sep. 22, 2014, Lin.  
U.S. Appl. No. 29/514,954, filed Jan. 19, 2015, Lin.  
U.S. Appl. No. 29/517,938, filed Feb. 18, 2015, Lin.  
U.S. Appl. No. 29/517,939, filed Feb. 18, 2015, Lin.  
Notice of Allowance for U.S. Appl. No. 29/491,238, dated Jan. 5, 2015, 8 pages.  
Notice of Allowance for U.S. Appl. No. 29/479,883, dated Jan. 21, 2015, 6 pages.  
Notice of Allowance for U.S. Appl. No. 29/548,448, dated Jun. 27, 2016 9 pages.  
Notice of Allowance for U.S. Appl. No. 29/548,450, dated Jun. 28, 2016 9 pages.  
Notice of Allowance for U.S. Appl. No. 29/548,453, dated Jun. 17, 2016 9 pages.  
Notice of Allowance for U.S. Appl. No. 29/548,457, dated Jun. 16, 2016 9 pages.  
Notice of Allowance for U.S. Appl. No. 29/548,458, dated Jun. 28, 2016 9 pages.  
Notice of Allowance for U.S. Appl. No. 29/548,459, dated Jun. 20, 2016 9 pages.  
Notice of Allowance for U.S. Appl. No. 29/548,461, dated Jun. 20, 2016 9 pages.  
Notice of Allowance for U.S. Appl. No. 29/548,460, dated Jun. 27, 2016 9 pages.  
Notice of Allowance for U.S. Appl. No. 29/548,463, dated Jun. 20, 2016 9 pages.  
U.S. Appl. No. 29/548,448, filed Dec. 14, 2015, Lin.  
U.S. Appl. No. 29/548,450, filed Dec. 14, 2015, Lin.  
U.S. Appl. No. 29/548,453, filed Dec. 14, 2015, Lin.  
U.S. Appl. No. 29/548,457, filed Dec. 14, 2015, Lin.  
U.S. Appl. No. 29/548,458, filed Dec. 14, 2015, Lin.  
U.S. Appl. No. 29/548,459, filed Dec. 14, 2015, Lin.  
U.S. Appl. No. 29/548,460, filed Dec. 14, 2015, Lin.  
U.S. Appl. No. 29/548,461, filed Dec. 14, 2015, Lin.  
U.S. Appl. No. 29/548,463, filed Dec. 14, 2015, Lin.  
Notice of Allowance for U.S. Appl. No. 29/502,977, dated Nov. 2, 2015 11 pages.



(56)

**References Cited**

OTHER PUBLICATIONS

Notice of Allowance for U.S. Appl. No. 29/502,983, dated Nov. 13, 2015 8 pages.

Notice of Allowance for U.S. Appl. No. 29/502,985, dated Nov. 10, 2015 11 pages.

Notice of Allowance for U.S. Appl. No. 29/502,986, dated Nov. 4, 2015 12 pages.

Notice of Allowance for U.S. Appl. No. 29/502,988, dated Nov. 18, 2015 12 pages.

Notice of Allowance for U.S. Appl. No. 29/502,990, dated Nov. 2, 2015 11 pages.

Official Action for U.S. Appl. No. 29/514,954, dated Oct. 6, 2016 8 pages.

Notice of Allowance for U.S. Appl. No. 29/517,938, dated Oct. 6, 2016 8 pages.

Notice of Allowance for U.S. Appl. No. 29/517,939, dated Oct. 12, 2016 8 pages.

\* cited by examiner

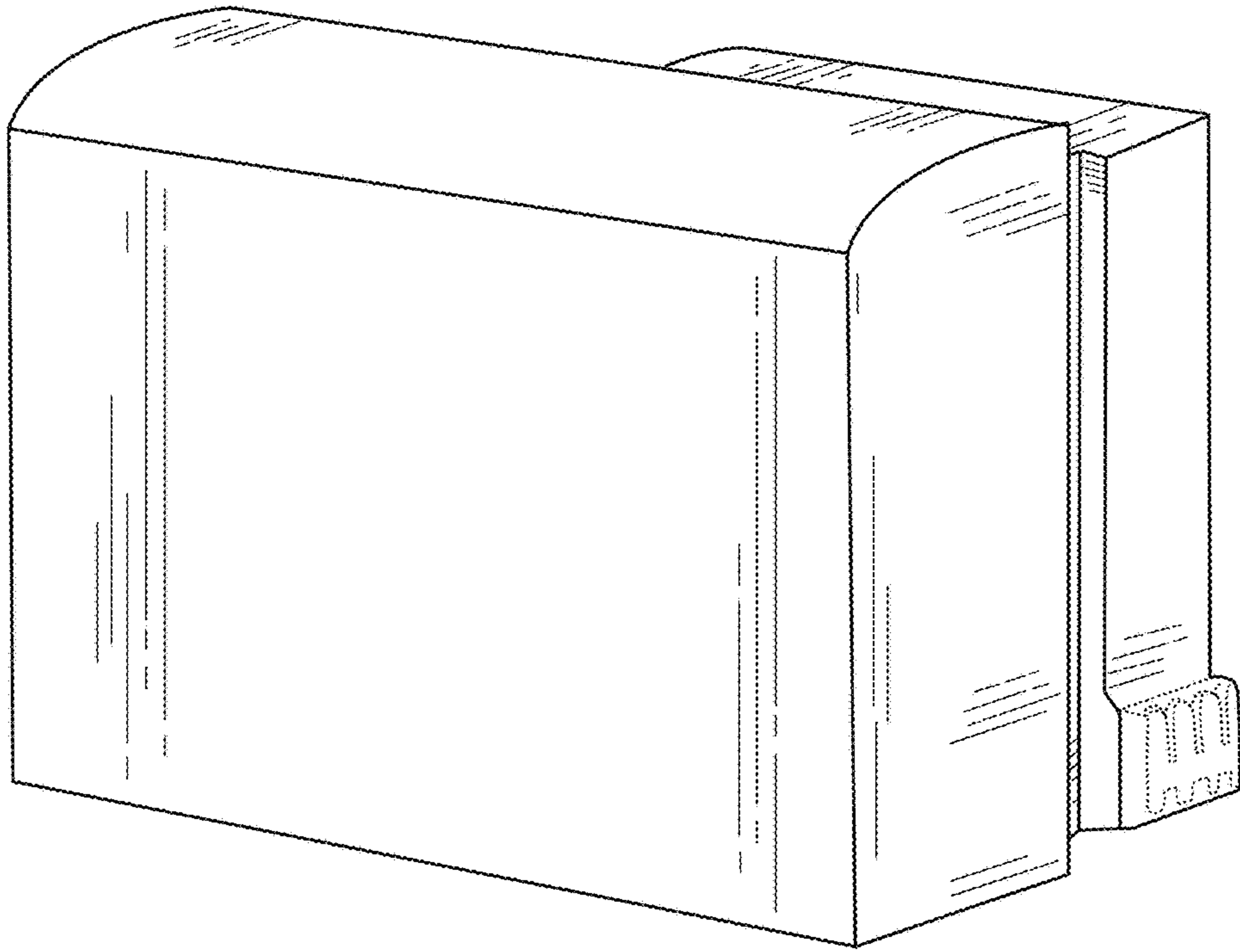


FIG. 1

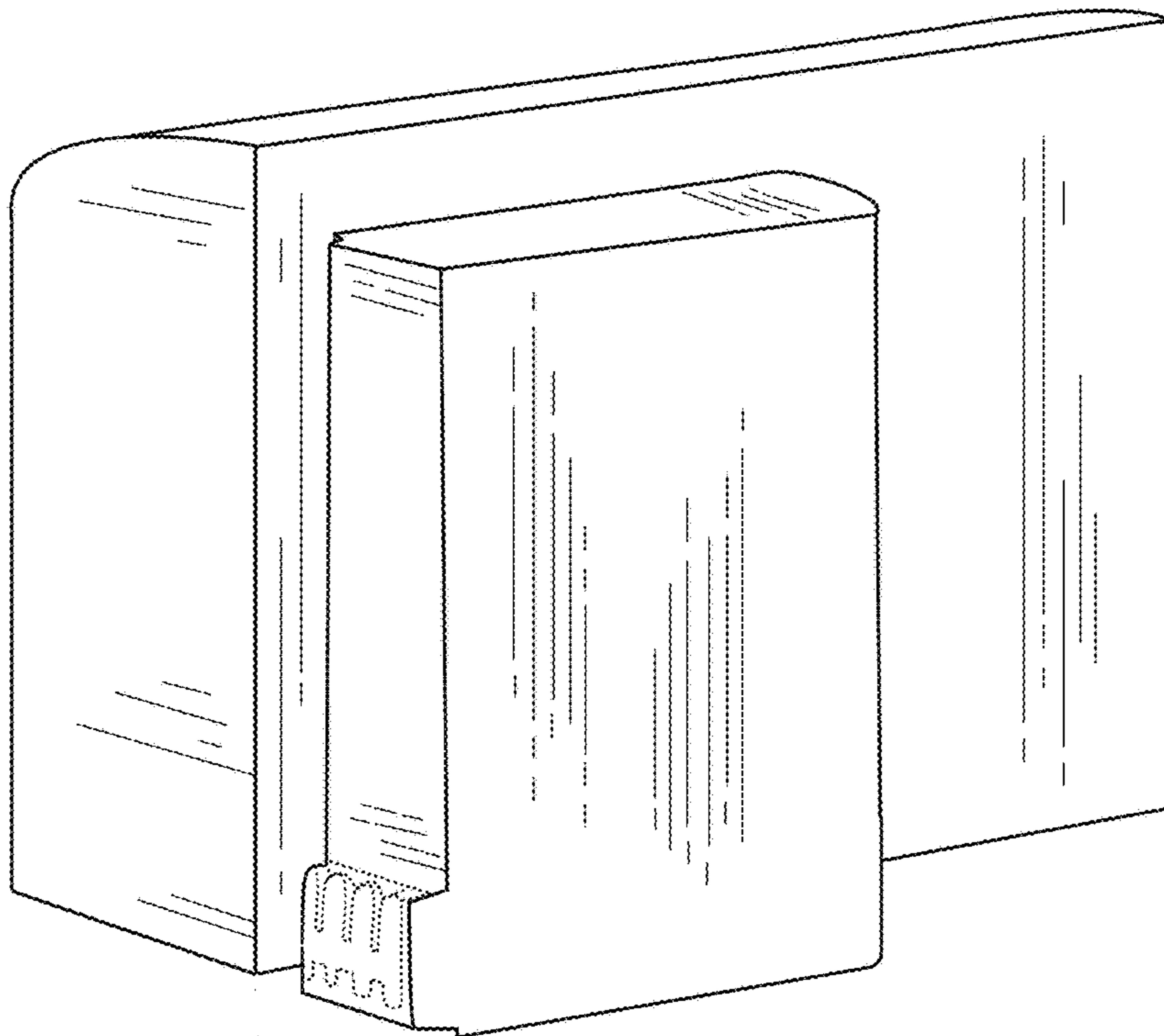


FIG. 2

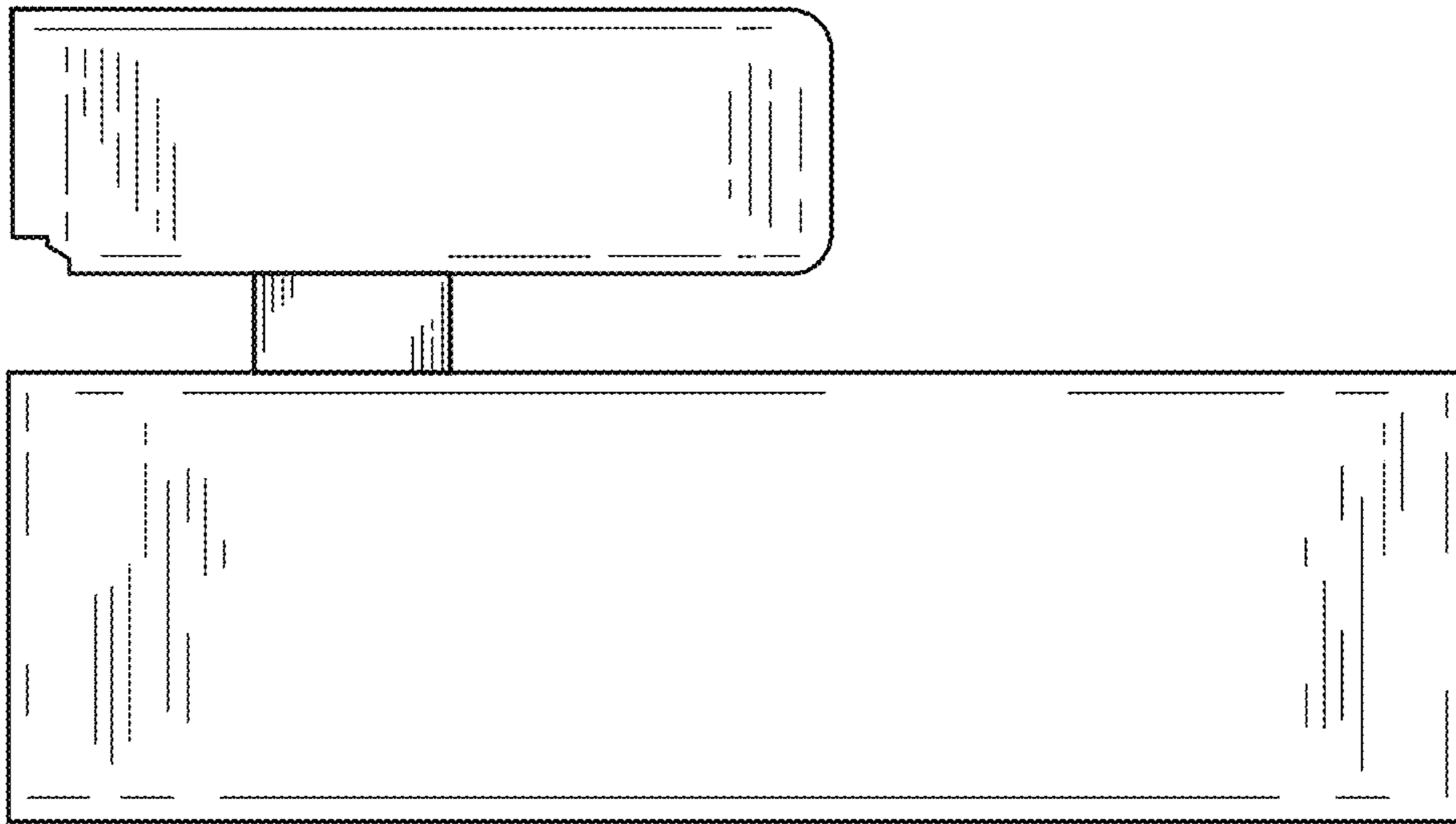


FIG. 3

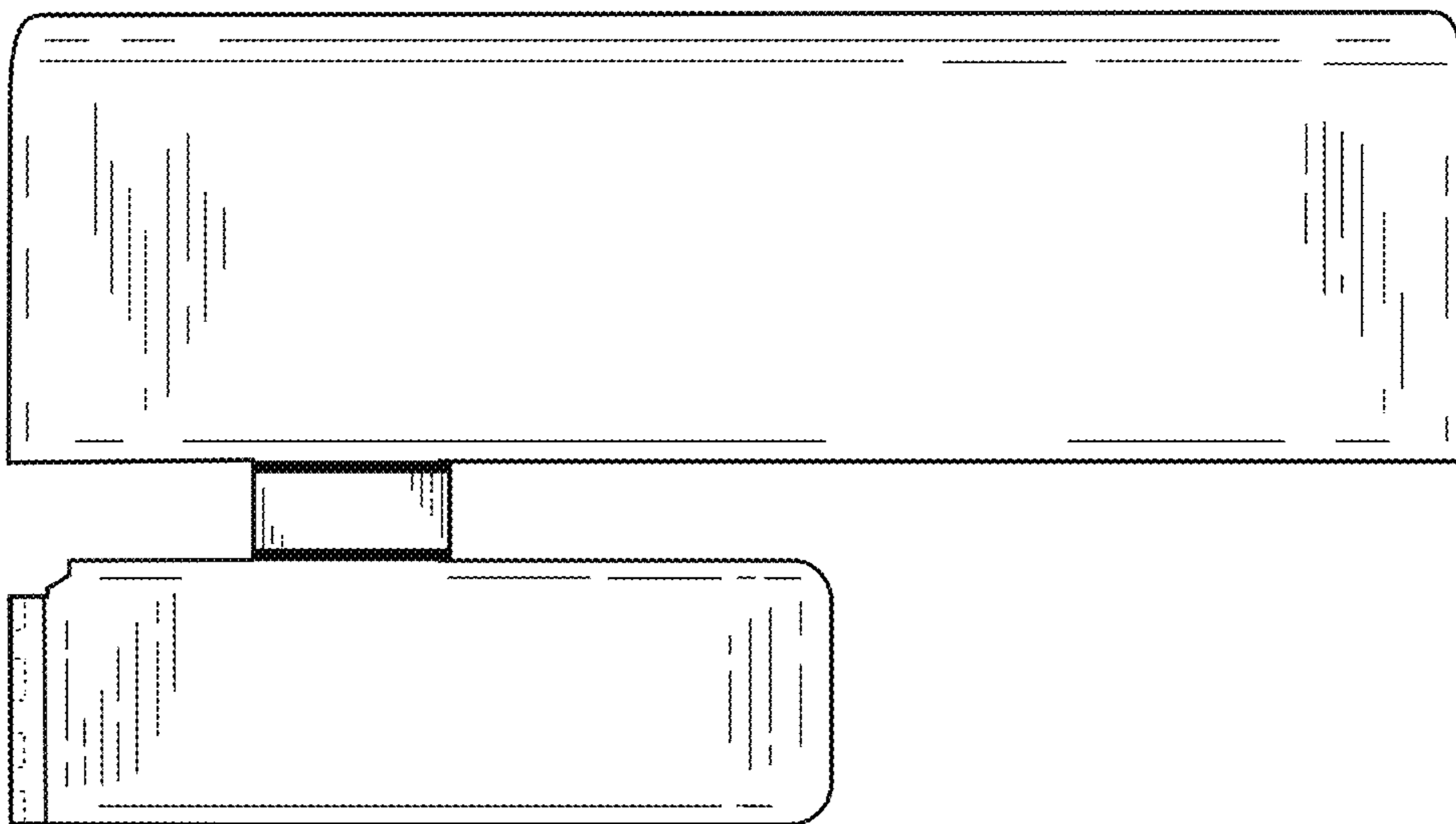


FIG. 4

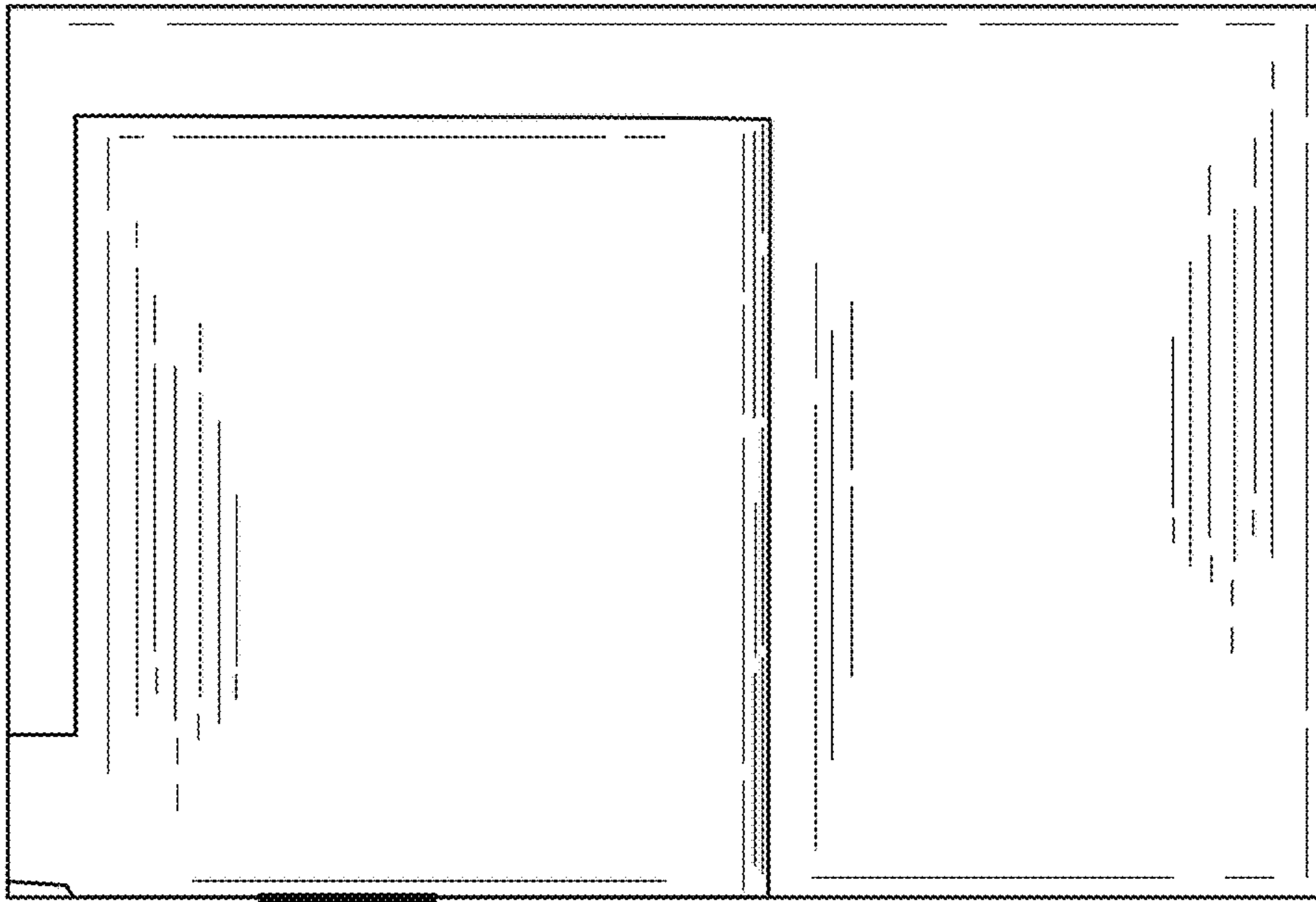


FIG. 5

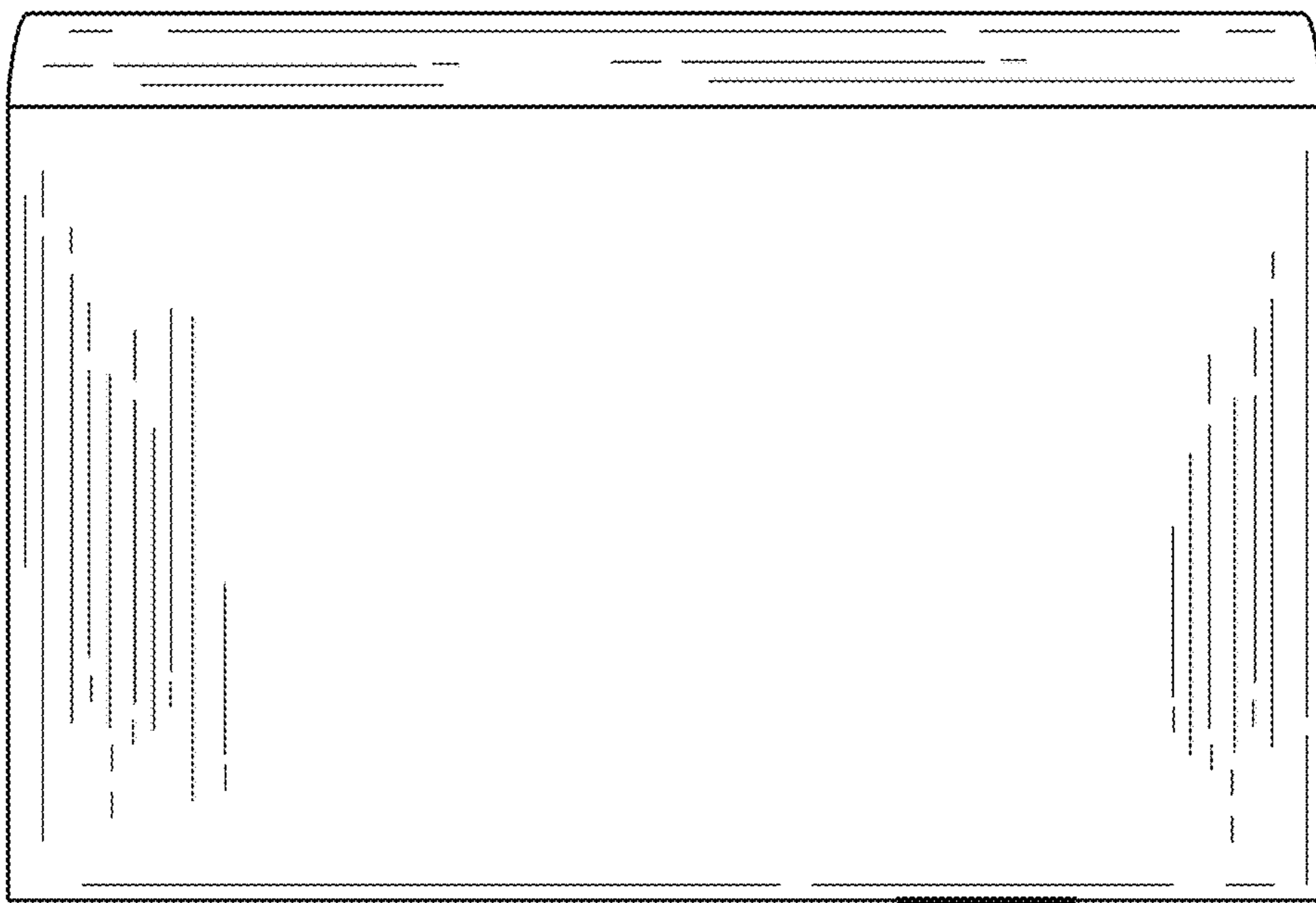


FIG. 6

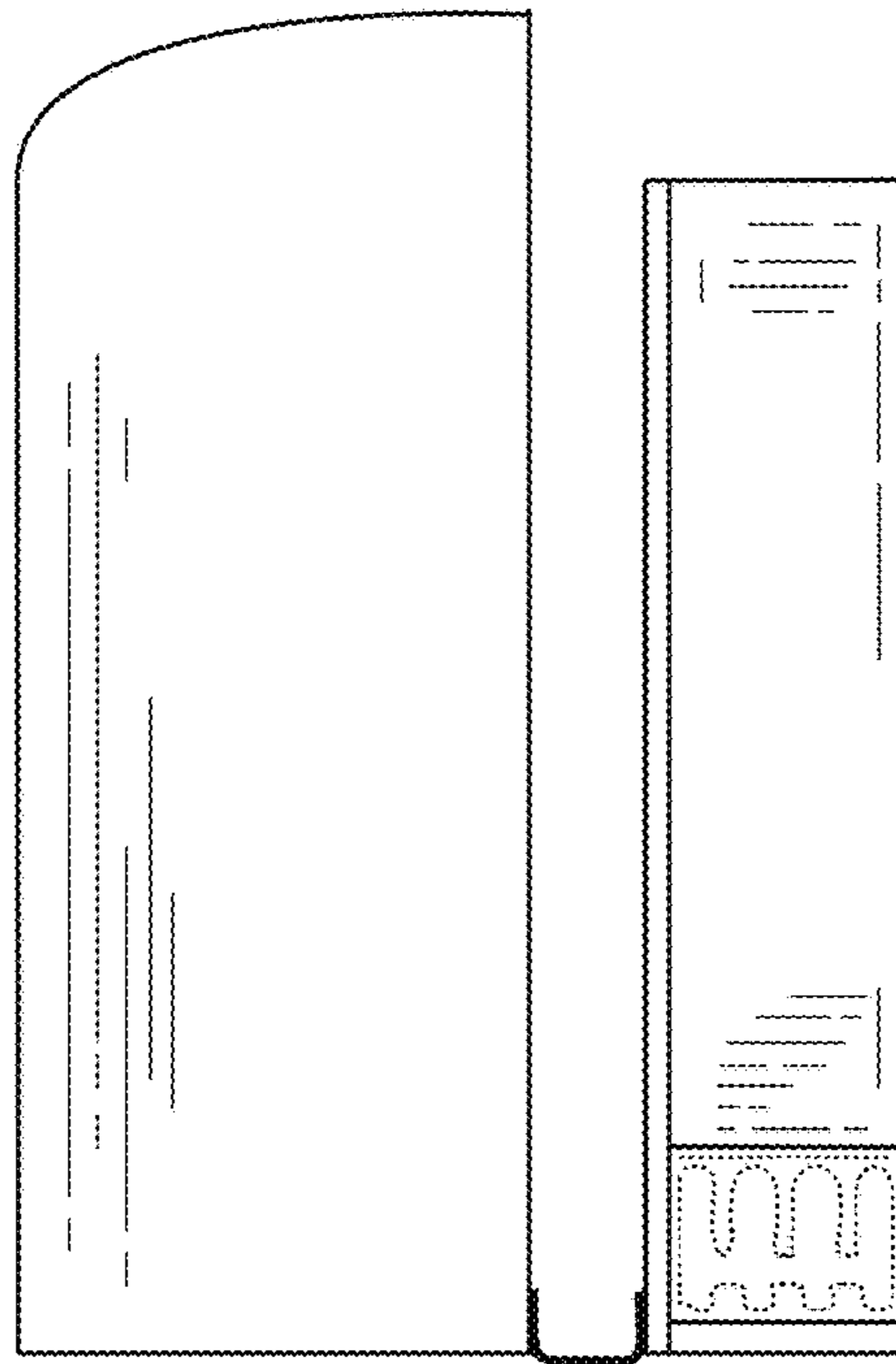


FIG. 7

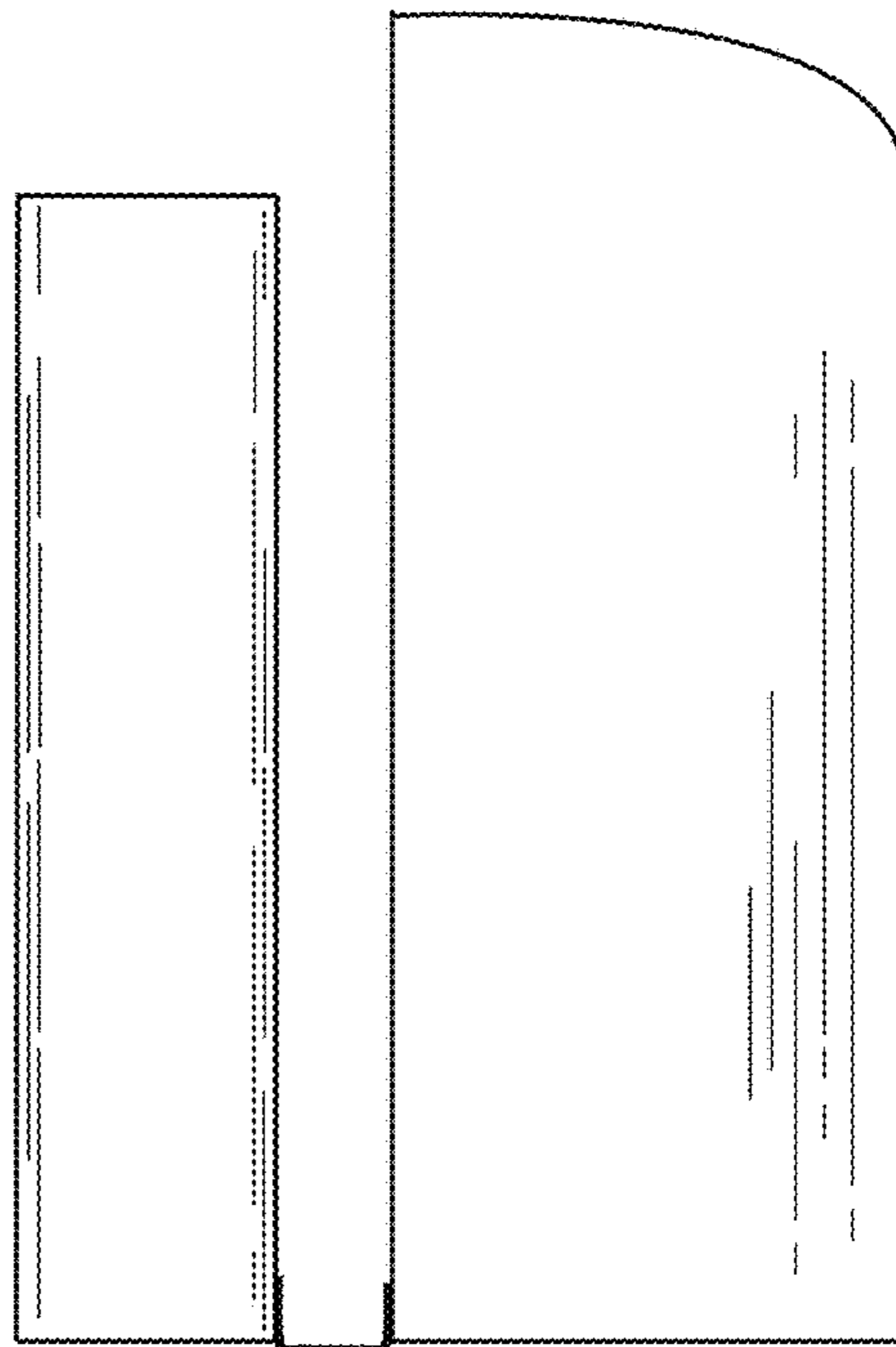


FIG. 8

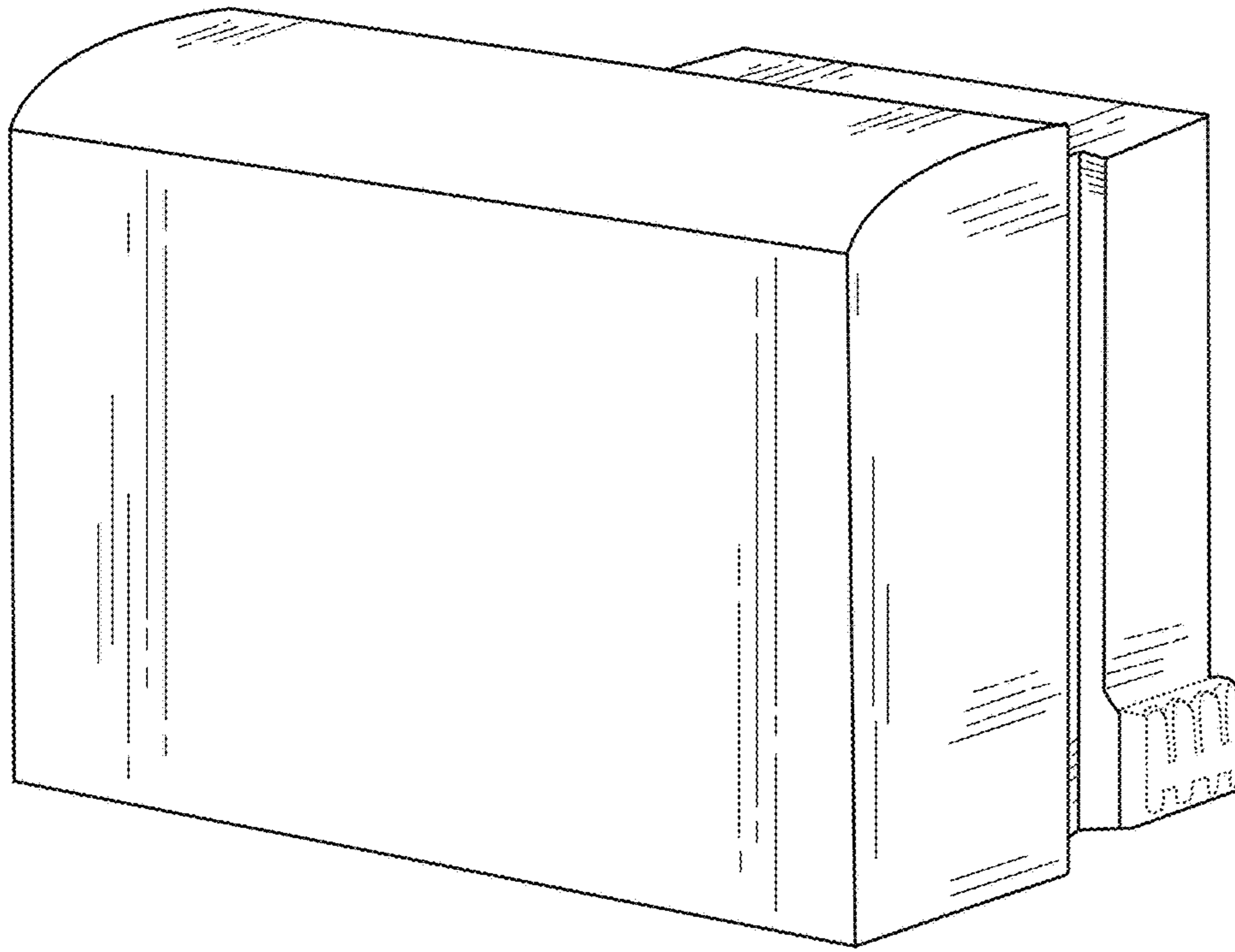


FIG. 9

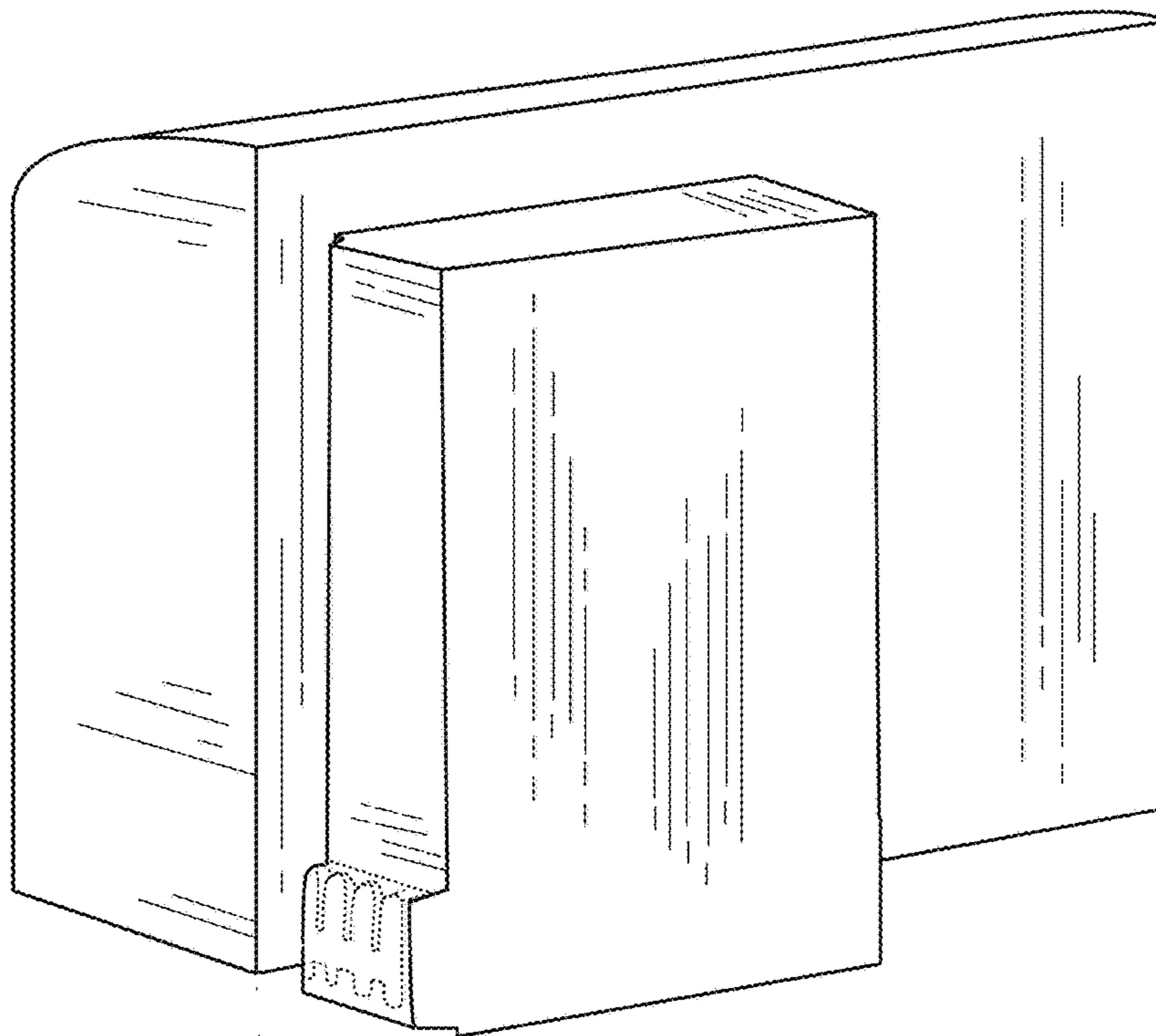


FIG. 10



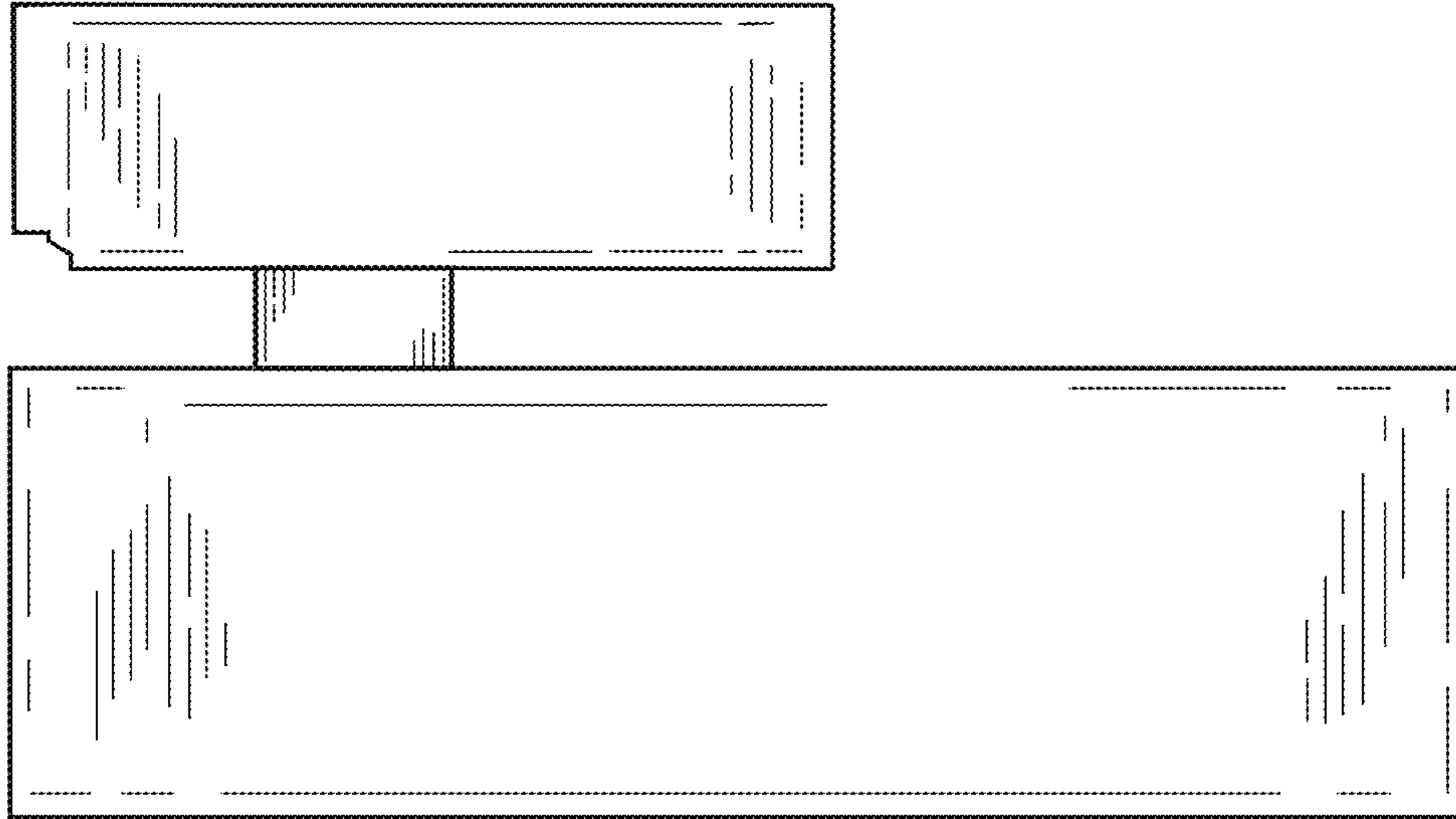


FIG. 11

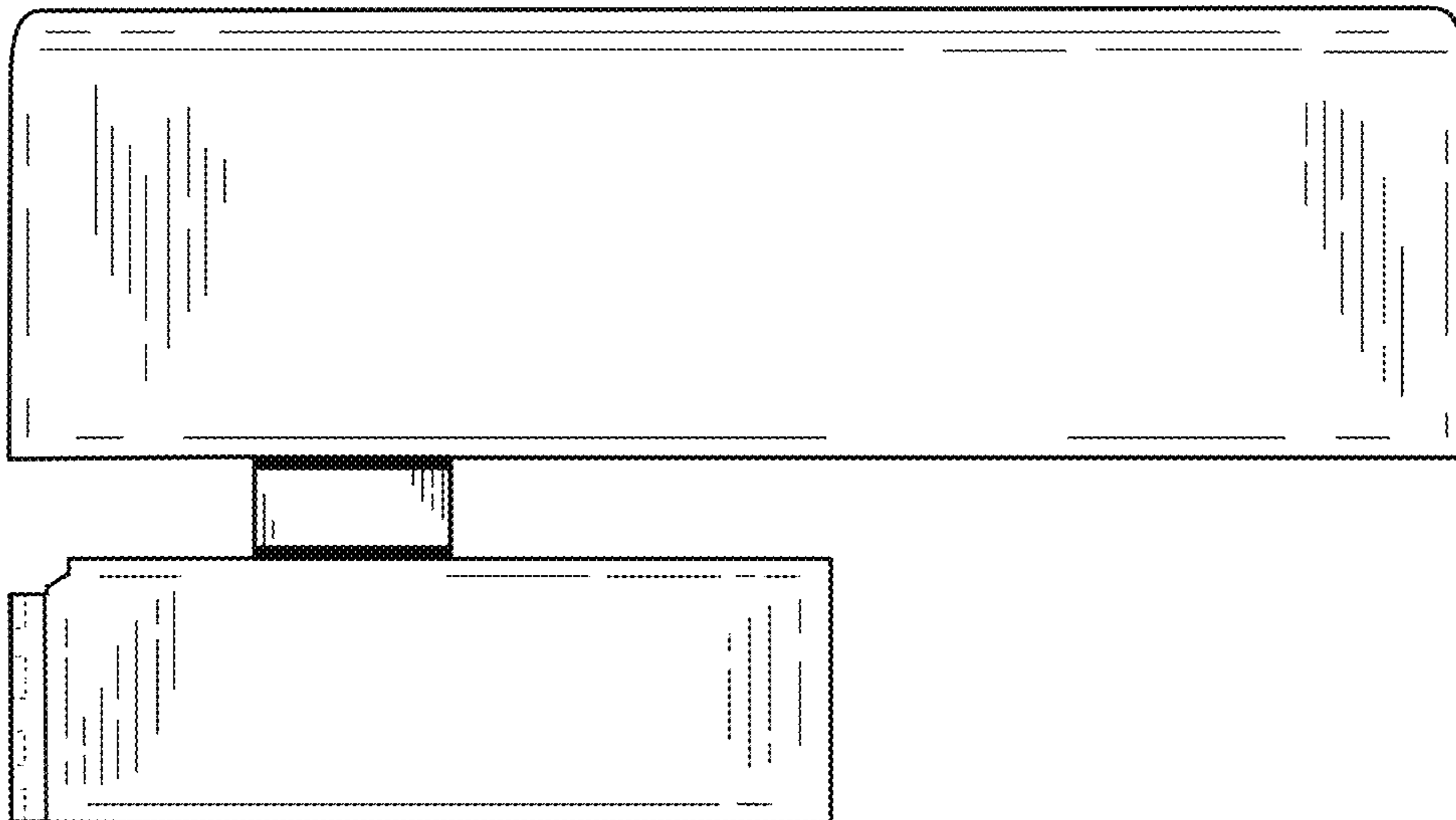


FIG. 12

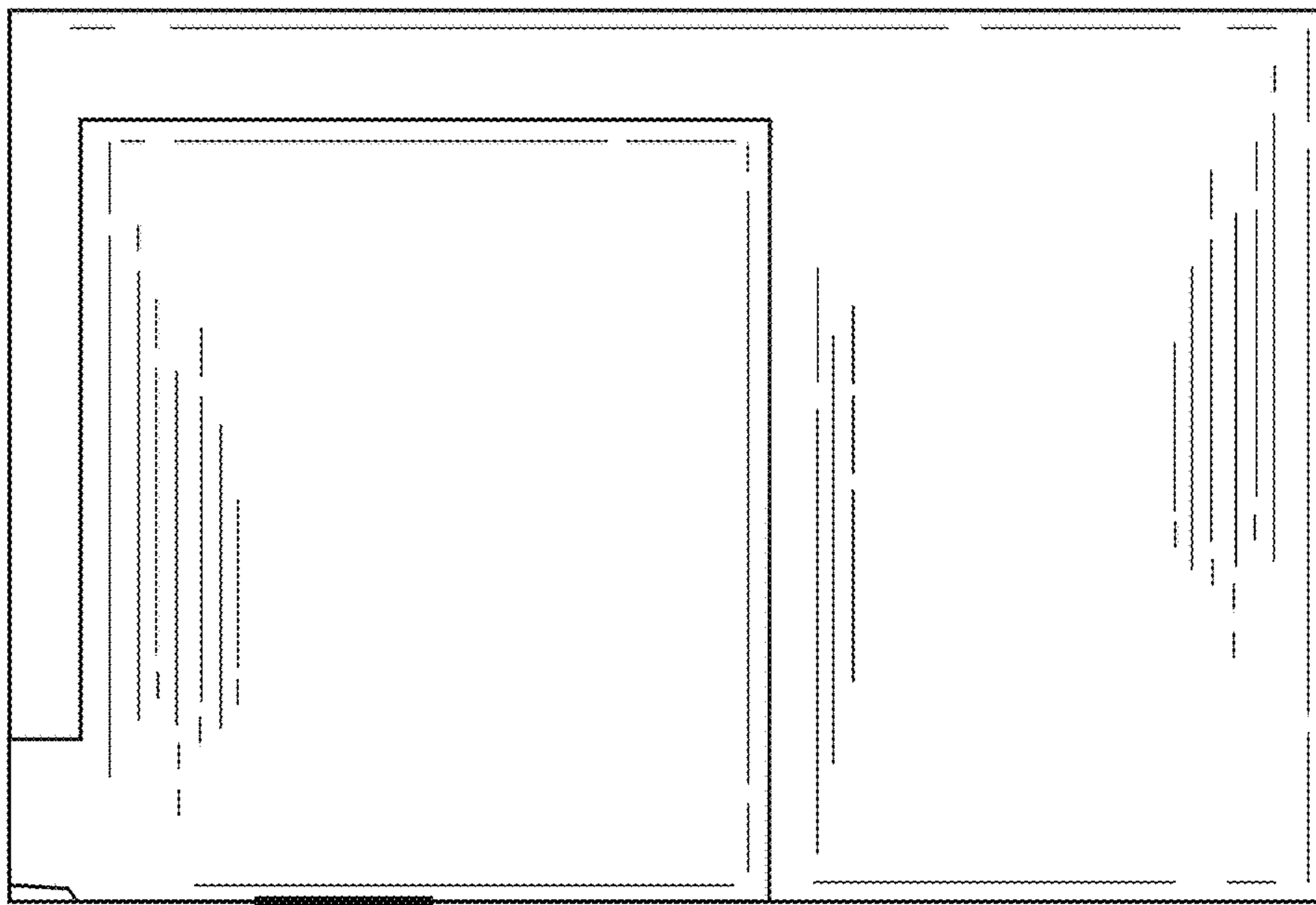


FIG. 13

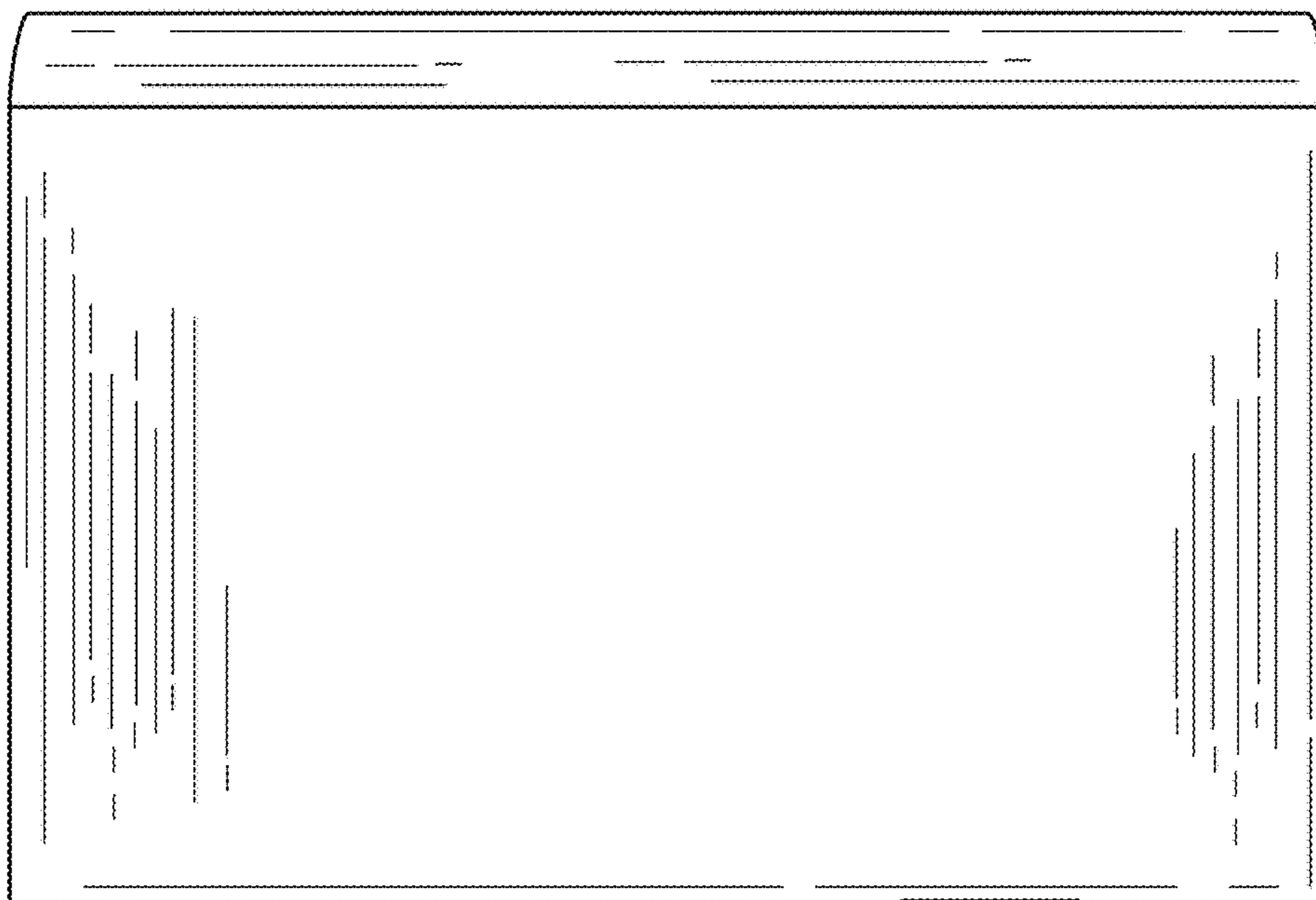


FIG. 14

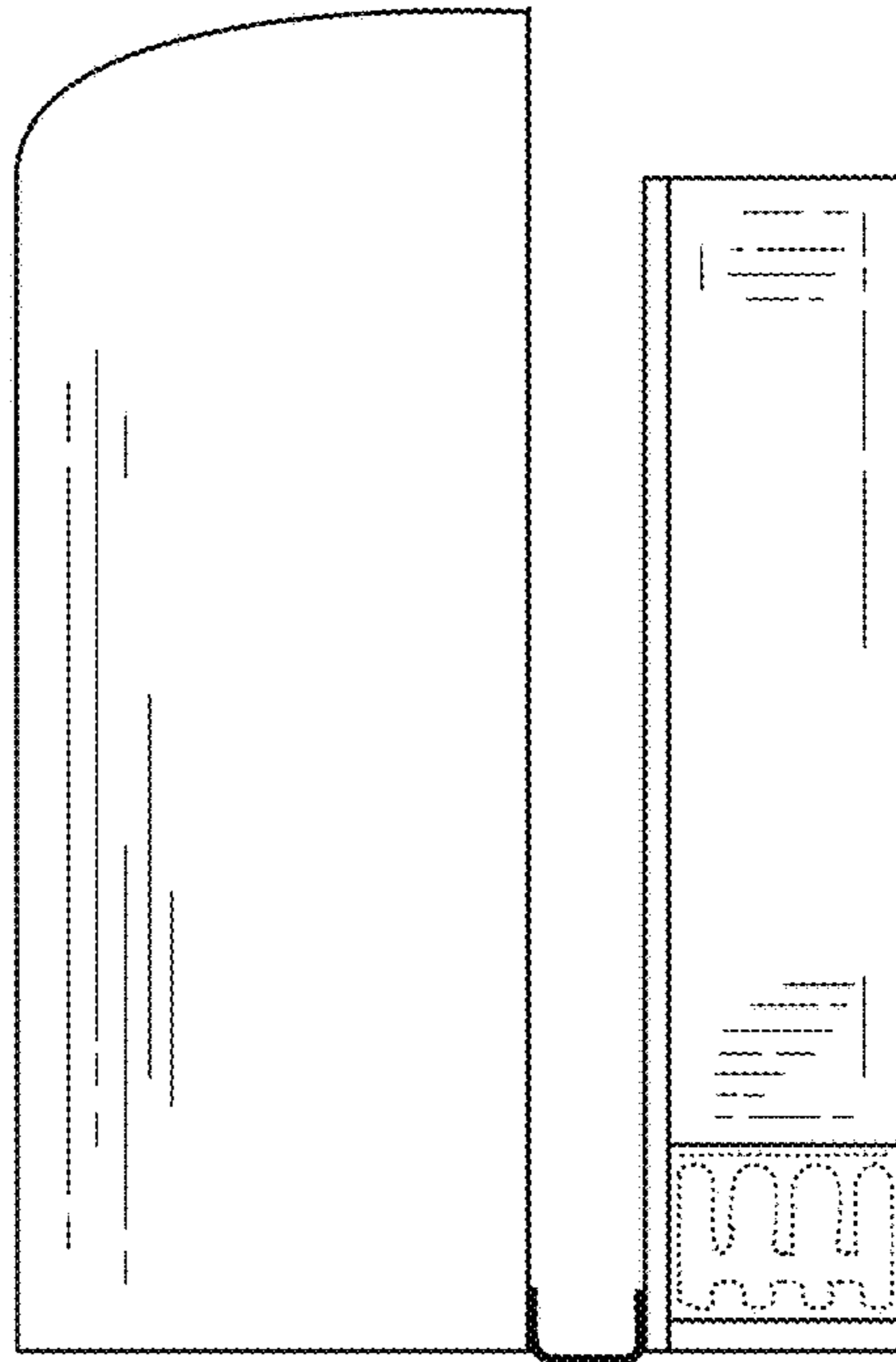


FIG. 15

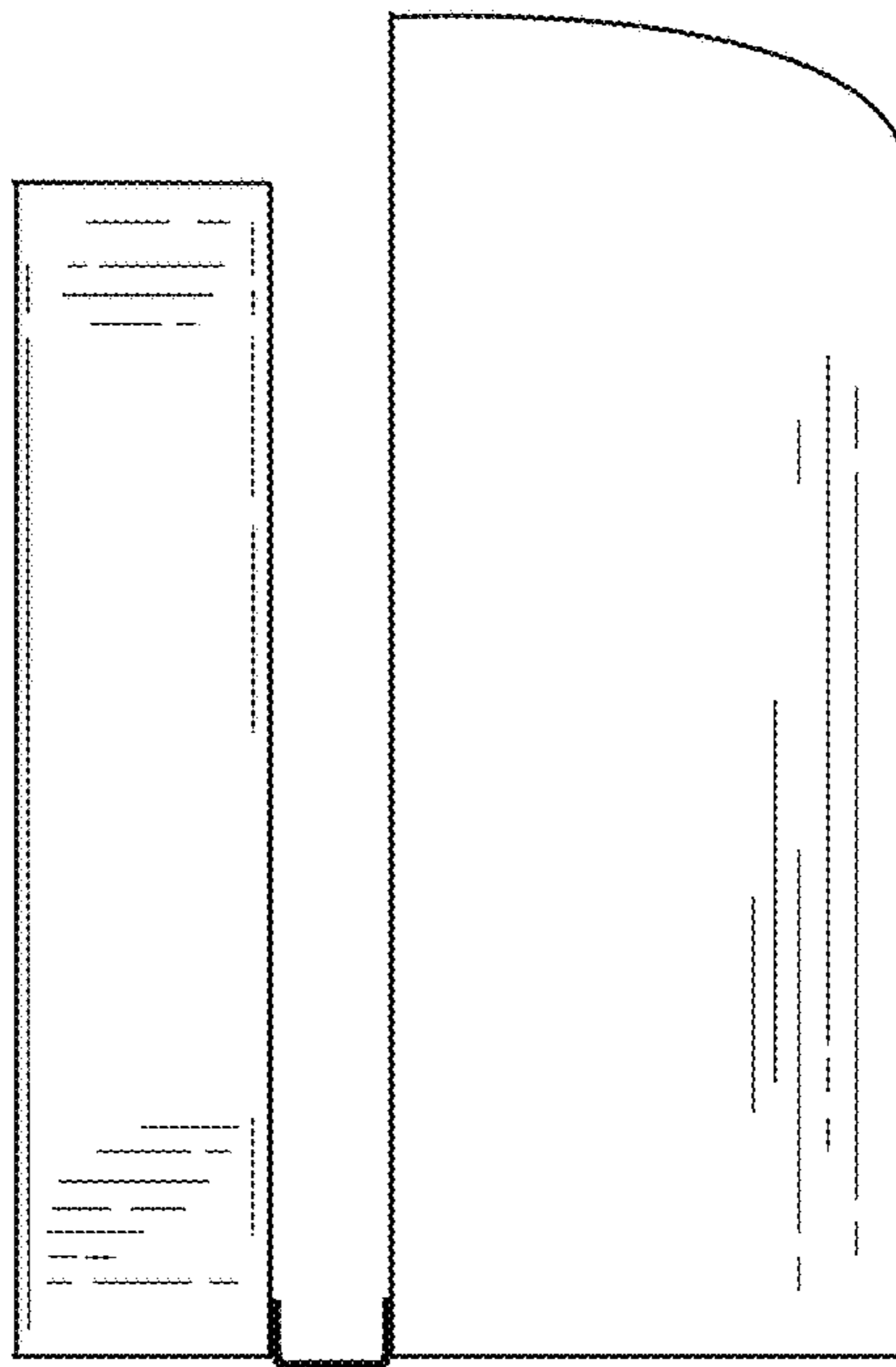


FIG. 16