



US00D815029S

(12) **United States Design Patent**
Detrick et al.

(10) **Patent No.: US D815,029 S**
(45) **Date of Patent: ** *Apr. 10, 2018**

- (54) **SOLAR CELL ARTICLE**
- (71) Applicant: **SOLARIA CORPORATION**, Fremont, CA (US)
- (72) Inventors: **Adam Detrick**, Fremont, CA (US);
Kevin R. Gibson, Redwood City, CA (US)
- (73) Assignee: **SOLARIA CORPORATION**, Fremont, CA (US)
- (*) Notice: This patent is subject to a terminal disclaimer.
- (**) Term: **15 Years**
- (21) Appl. No.: **29/574,244**
- (22) Filed: **Aug. 12, 2016**
- (51) **LOC (11) Cl.** **13-02**
- (52) **U.S. Cl.**
USPC **D13/102**
- (58) **Field of Classification Search**
USPC D3/5; D6/302, 405, 407, 675, 691.8, D6/705, 706; D12/183, 345; D13/101, D13/102, 103, 107, 118, 119, 184, 187, D13/199; D25/30, 47.1, 48.7, 48.8, 60, D25/119, 122, 124, 125, 138, 140, 144, D25/153, 156, 167
CPC . H01L 31/00; H01L 31/042; H01L 31/02021; H01L 31/02008; H01L 31/043; H01L 31/0508; H02S 10/00; H02S 20/00; Y02B 10/00; Y02E 10/00; Y02E 10/40; Y02E 10/41; Y02E 10/42; Y02E 10/43; Y02E 10/44; Y02E 10/45; Y02E 10/46; Y02E 10/47; Y02E 10/50; Y02E 10/51; Y02E 10/52; Y02E 10/544; Y10S 136/292; B64G 1/443
See application file for complete search history.

(56) **References Cited**

U.S. PATENT DOCUMENTS

- 5,800,631 A * 9/1998 Yamada H01L 31/048 136/251
- D442,139 S * 5/2001 Sasaoka D13/102
- 8,951,825 B1 * 2/2015 Limb H01L 31/18 438/71

D762,163 S * 7/2016 Parilla D13/102
(Continued)

OTHER PUBLICATIONS

Imec demonstrates highly efficient bifacial solar cells, posted at Phys.org, posted on Jun. 20, 2016, [online], [site visited Aug. 29, 2017]. Available from Internet, <<https://phys.org/news/2016-06-imec-highly-efficient-bifacial-solar.html>>.*
(Continued)

Primary Examiner — Mary Ann Calabrese
Assistant Examiner — Catherine Ho

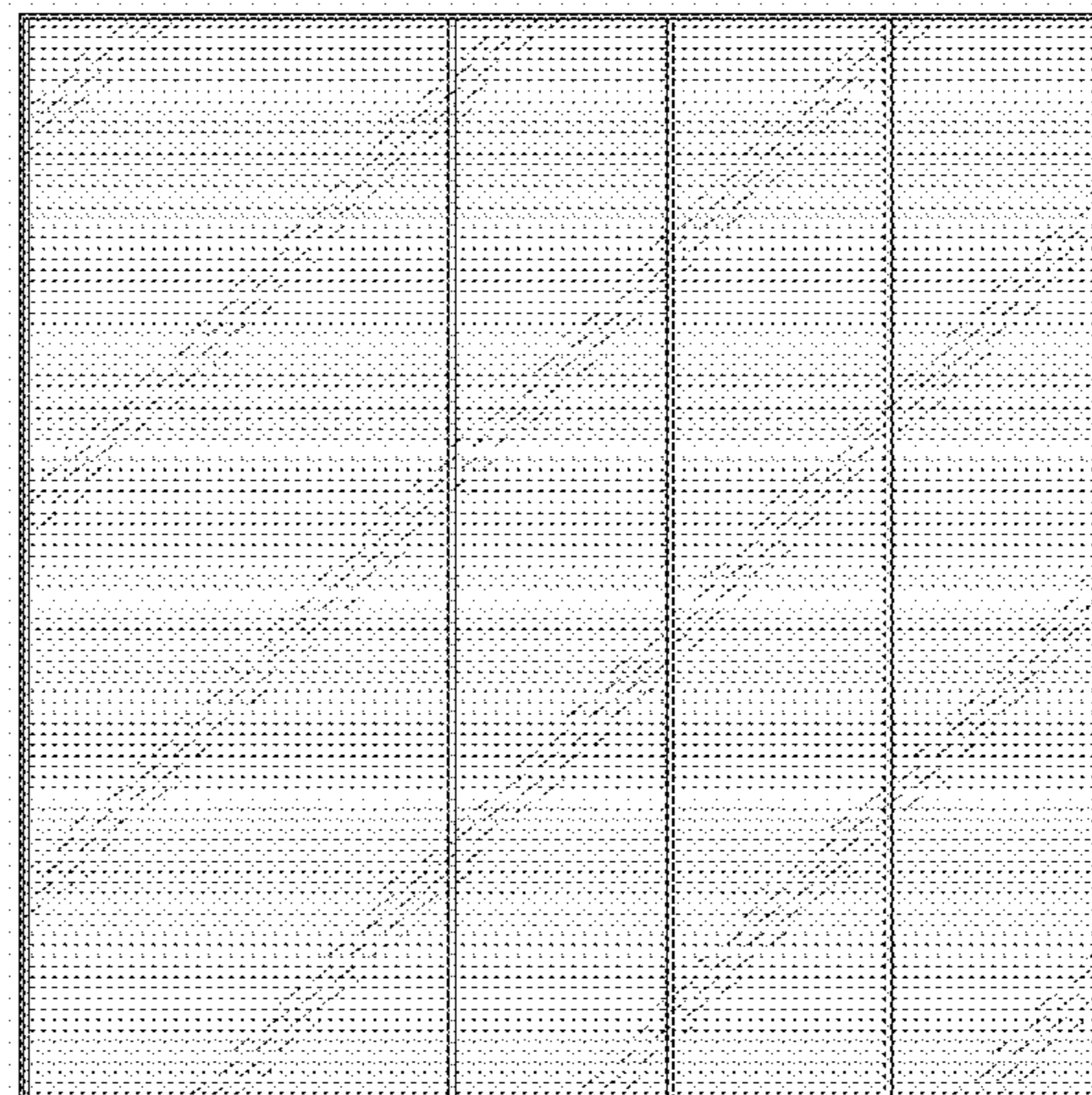
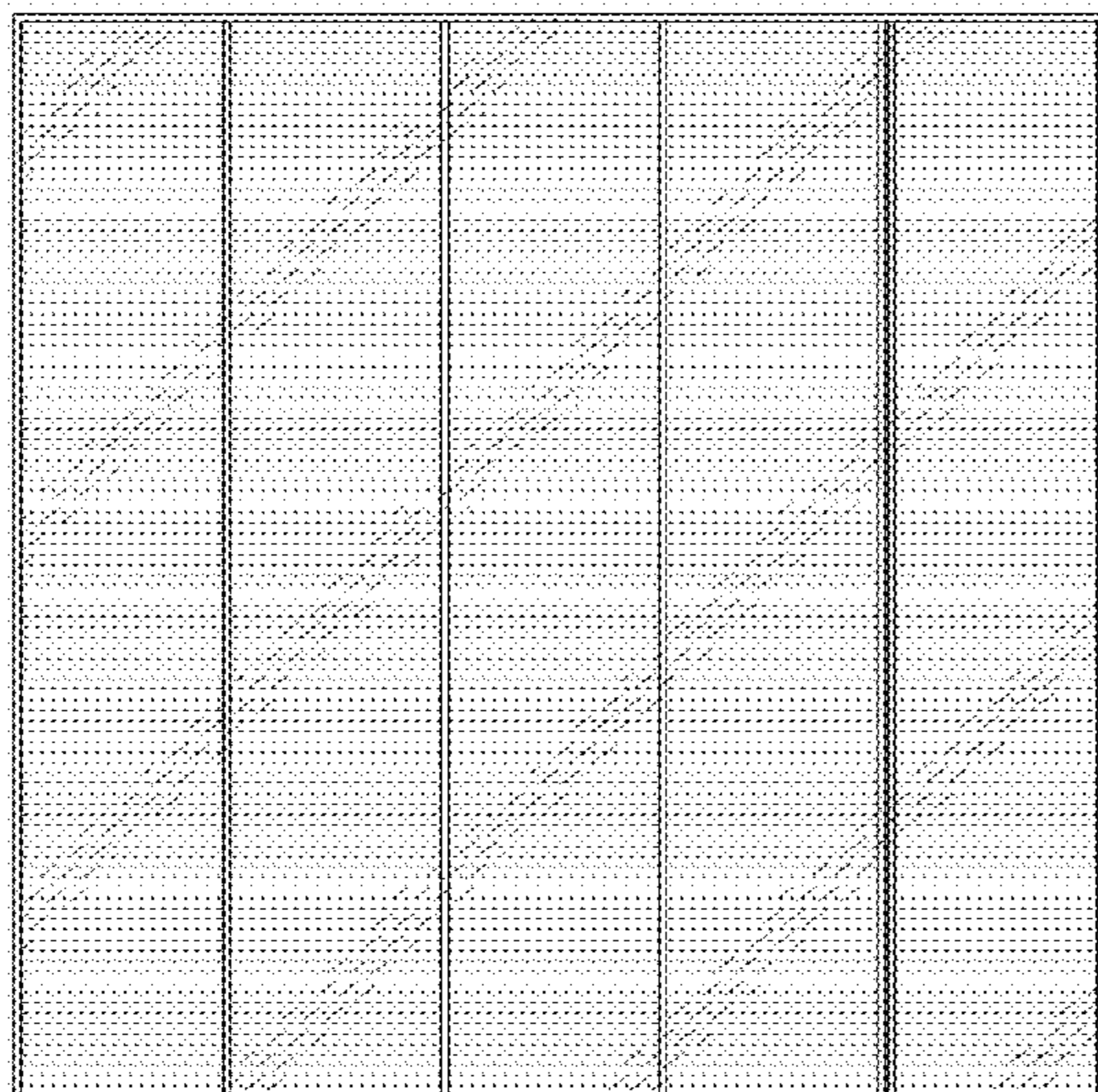
(57) **CLAIM**

We claim the ornamental design for a solar cell article, as shown and described.

DESCRIPTION

FIG. 1 is a front perspective view of a solar cell article showing our new design;
FIG. 2 is back perspective view thereof;
FIG. 3 front view thereof;
FIG. 4 back view thereof;
FIG. 5 is top view thereof;
FIG. 6 is a bottom view thereof;
FIG. 7 is a first side view thereof;
FIG. 8 is a second side view thereof;
FIG. 9 is an enlarged detailed view of the off-set bus bar strips indicated by the encircled area 9 in FIG. 5; and,
FIG. 10 is an enlarged detailed view of a pair of adjacent bus bar strips indicated by the encircled area 10 in FIG. 5.
The broken line portion of the figure drawings is included to show portions of the article that form no part of the claimed design.

1 Claim, 6 Drawing Sheets



(56)

References Cited

U.S. PATENT DOCUMENTS

D763,787	S *	8/2016	Parilla	D13/102
D784,254	S *	4/2017	Parilla	D13/102
2006/0213548	A1 *	9/2006	Bachrach	H01L 31/048 136/251
2009/0025710	A1 *	1/2009	Hogan	F24J 2/045 126/652
2010/0126554	A1 *	5/2010	Morgan	H02S 20/00 136/246
2010/0243040	A1 *	9/2010	Kim	H01L 31/02245 136/255
2011/0279544	A1 *	11/2011	Dovrat	B41J 3/543 347/40
2012/0125396	A1 *	5/2012	Taira	H01L 31/02243 136/244
2012/0247532	A1 *	10/2012	Liu	H02S 40/22 136/246
2013/0152994	A1 *	6/2013	Schaarschmidt	...	H01L 31/0508 136/244
2014/0124013	A1 *	5/2014	Morad	H01L 31/0504 136/246
2014/0124014	A1 *	5/2014	Morad	H01L 31/042 136/246
2015/0075613	A1 *	3/2015	Narita	H01L 31/022483 136/258
2016/0093758	A1 *	3/2016	Fujishima	H01L 31/0516 136/244
2016/0111573	A1 *	4/2016	Meyer	H01L 31/049 136/251
2016/0126375	A1 *	5/2016	Morikawa	H01L 31/022425 136/244
2016/0247950	A1 *	8/2016	Kobamoto	H01L 31/0224
2017/0033243	A1 *	2/2017	Lee	H01L 31/022425
2017/0077343	A1 *	3/2017	Morad	H01L 31/186
2017/0148942	A1 *	5/2017	Van Roosmalen	.	H01L 31/0547
2017/0170338	A1 *	6/2017	Matsuo	H01L 31/0201
2017/0179323	A1 *	6/2017	Hishida	H01L 31/05

OTHER PUBLICATIONS

Improved Efficiency for Black Silicon Solar Cells, posted at Prescouter.com, posted on Apr. 5, 2013, [online], [site visited Aug. 29, 2017]. Available from Internet, <<https://prescouter.com/2013/04/improved-efficiency-for-black-silicon-solar-cells-by-18-7/>>.*

File:Silicon solar cell (PERC), posted at Commons.Wikimedia.org, posted on Apr. 17, 2014, [online], [site visited Aug. 29, 2017]. Available from Internet, <[https://commons.wikimedia.org/wiki/File:Silicon_solar_cell_\(PERC\)_front_and_back.jpg](https://commons.wikimedia.org/wiki/File:Silicon_solar_cell_(PERC)_front_and_back.jpg)>.*

Image analysis of polycrystalline solar cells, posted at Sciencedirect.com, posted on Sep. 2014, [online], [site visited Aug. 29, 2017]. Available from Internet, <<http://www.sciencedirect.com/science/article/pii/S0955221914000260>>.*

ECEEN Folding Solar Panel Phone Charger, posted at Amazon.com, posted on Feb. 17, 2016, [online], [site visited Aug. 29, 2017]. Available from Internet, <<https://www.amazon.com/ECEEN-Folding-Charger-Smartphones-USB-Charging/dp/B01BBCVIAQ/>>.*

Mono poly multi crystalline 125x125mm, posted at Alibaba.com, posted on Mar. 13, 2015, [online], [site visited Aug. 29, 2017]. Available from Internet, <https://www.alibaba.com/product-detail/Mono-poly-multi-crystalline-125x125mm-156x156mm_60489803181.html>.*

A Grade 4.3W Monocrystalline Silicon Solar Cells, posted at Marsrock.com.cn, posted on Jul. 7, 2013, [online], [site visited Aug. 29, 2017]. Available from Internet, <http://www.marsrock.com.cn/product/523735512-220292227/A_Grade_4_3W_Monocrystalline_Silicon_Solar_Cells_156_x_156_for_Solar_Panels.html>.*

bSolar Introduces High-Efficiency Bifacial Silicon Solar Cells, posted at Greenbuildingelements.com, posted on Sep. 11, 2012, [online], [site visited Aug. 29, 2017]. Available from Internet, <<https://greenbuildingelements.com/2012/09/11/bsolar-introduces-high-efficiency-bifacial-silicon-solar-cells-and-modules-in-the-us/>>.*

* cited by examiner

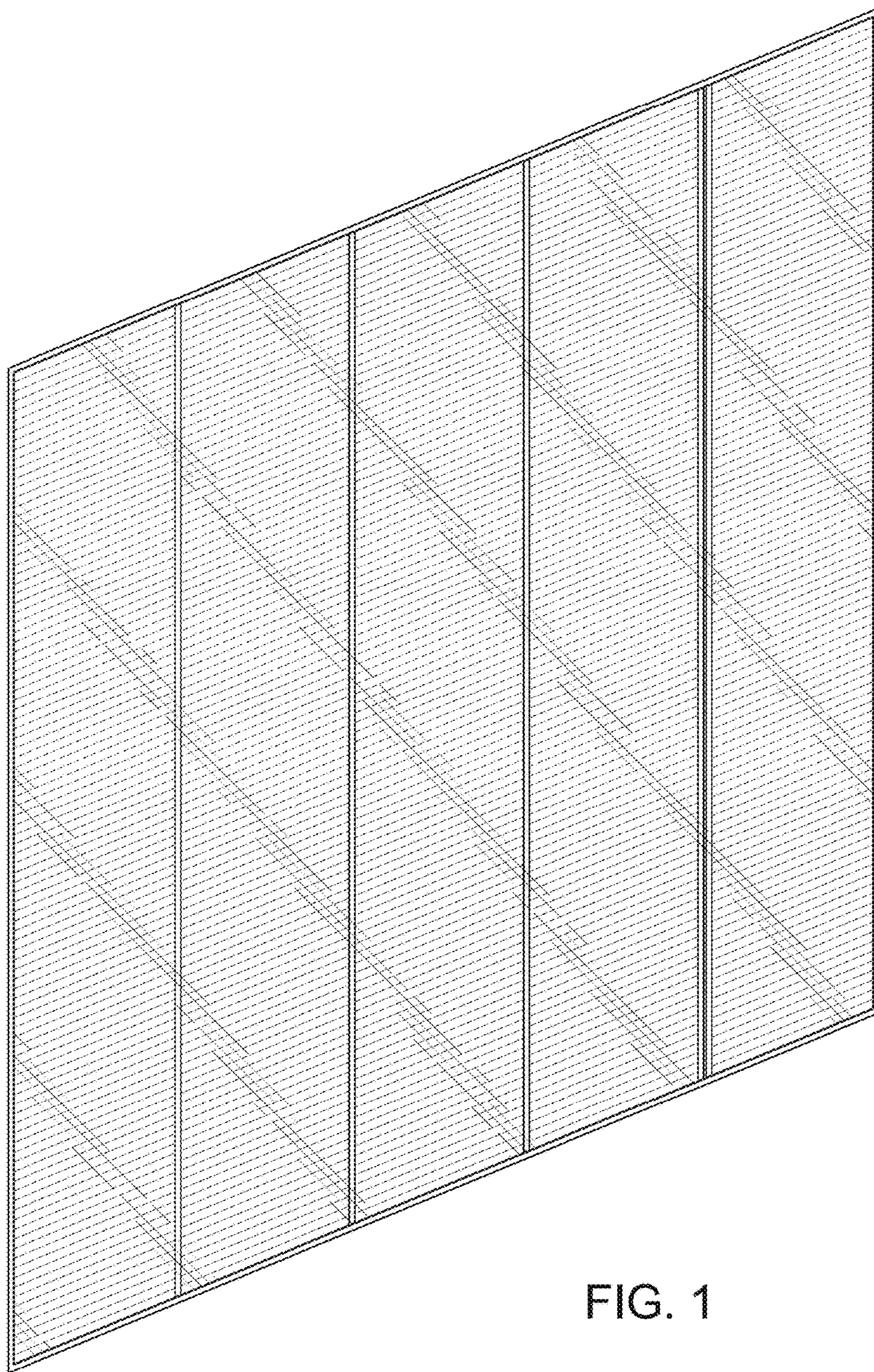


FIG. 1

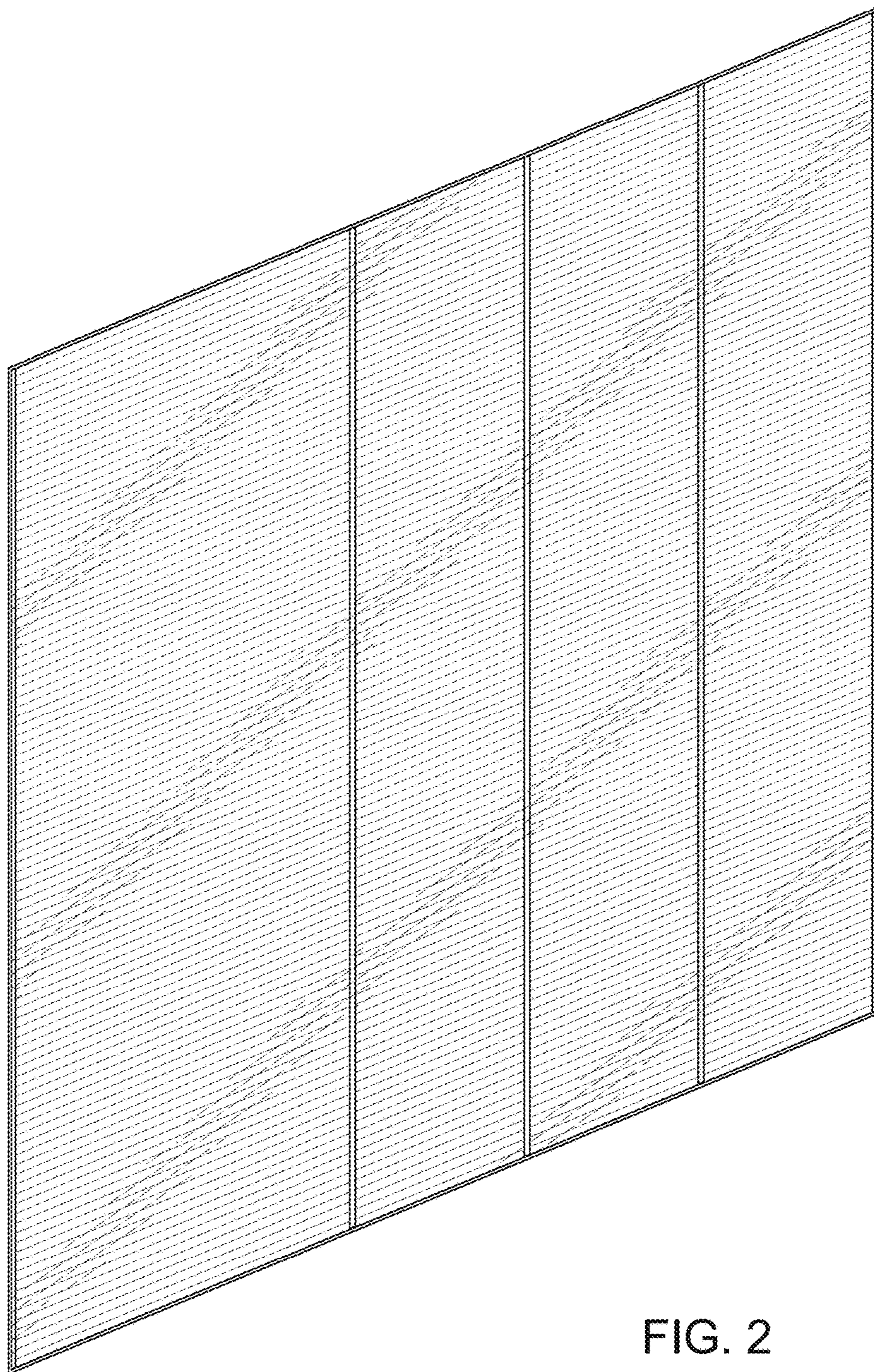


FIG. 2

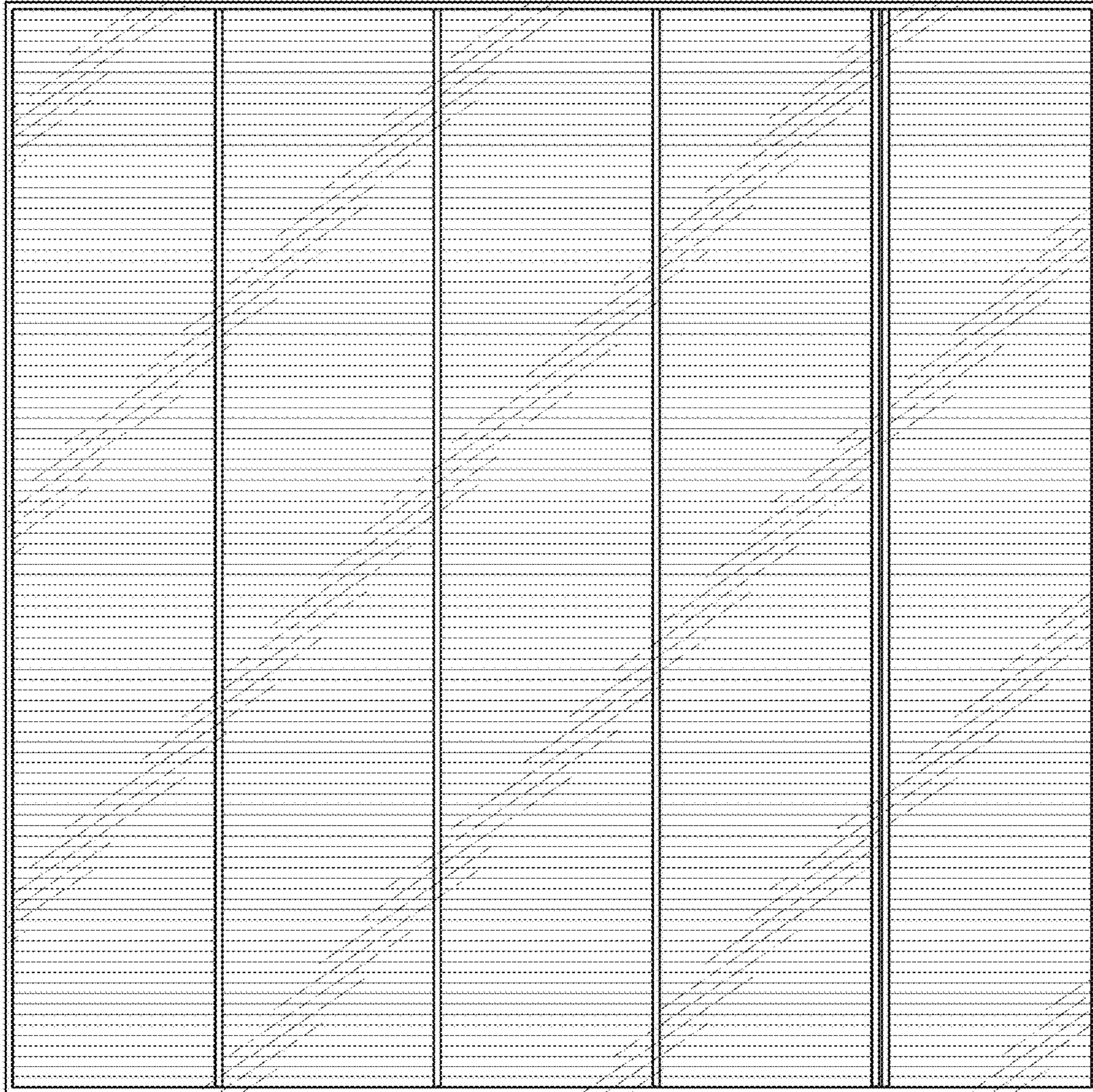


FIG. 3

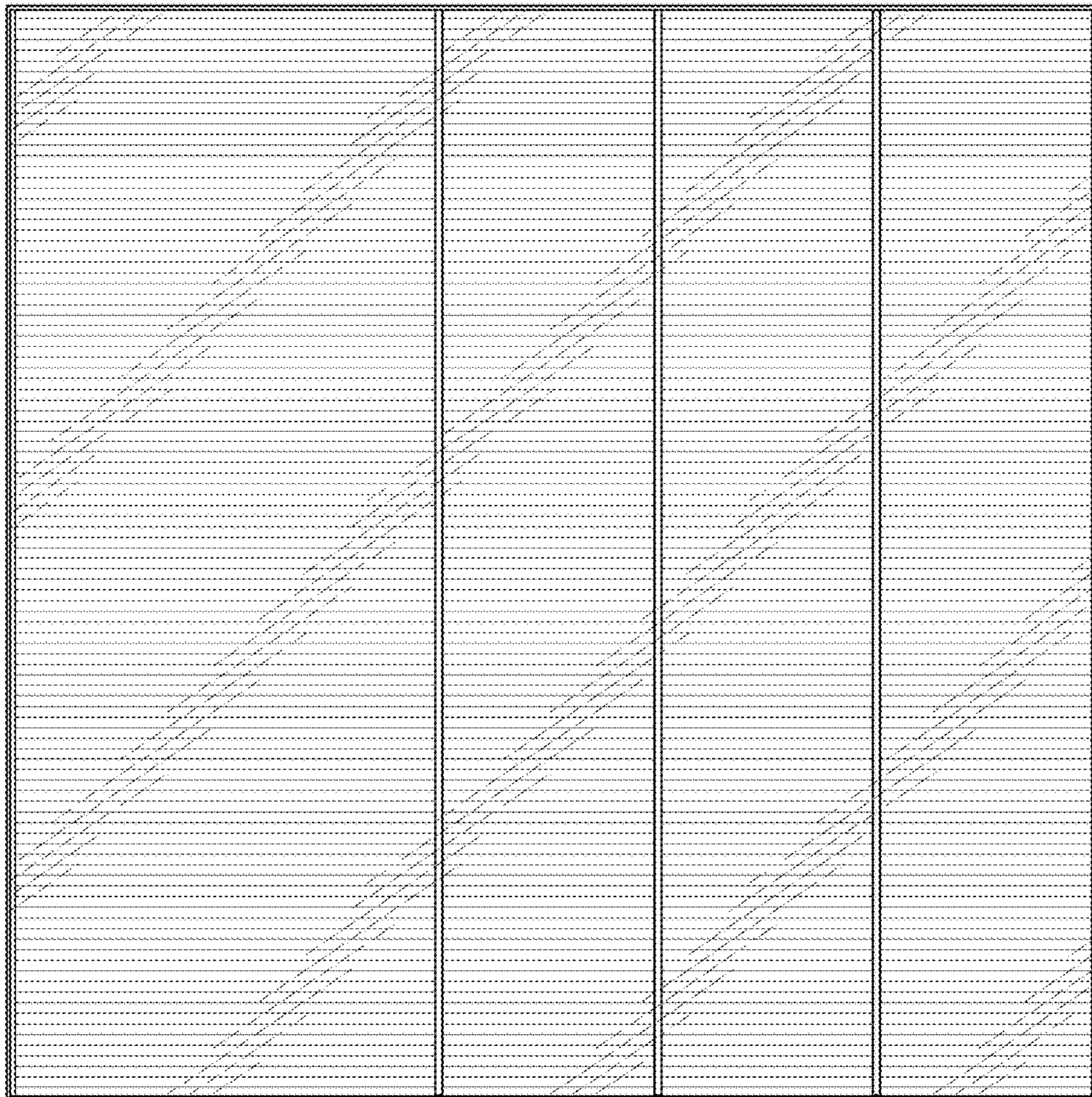
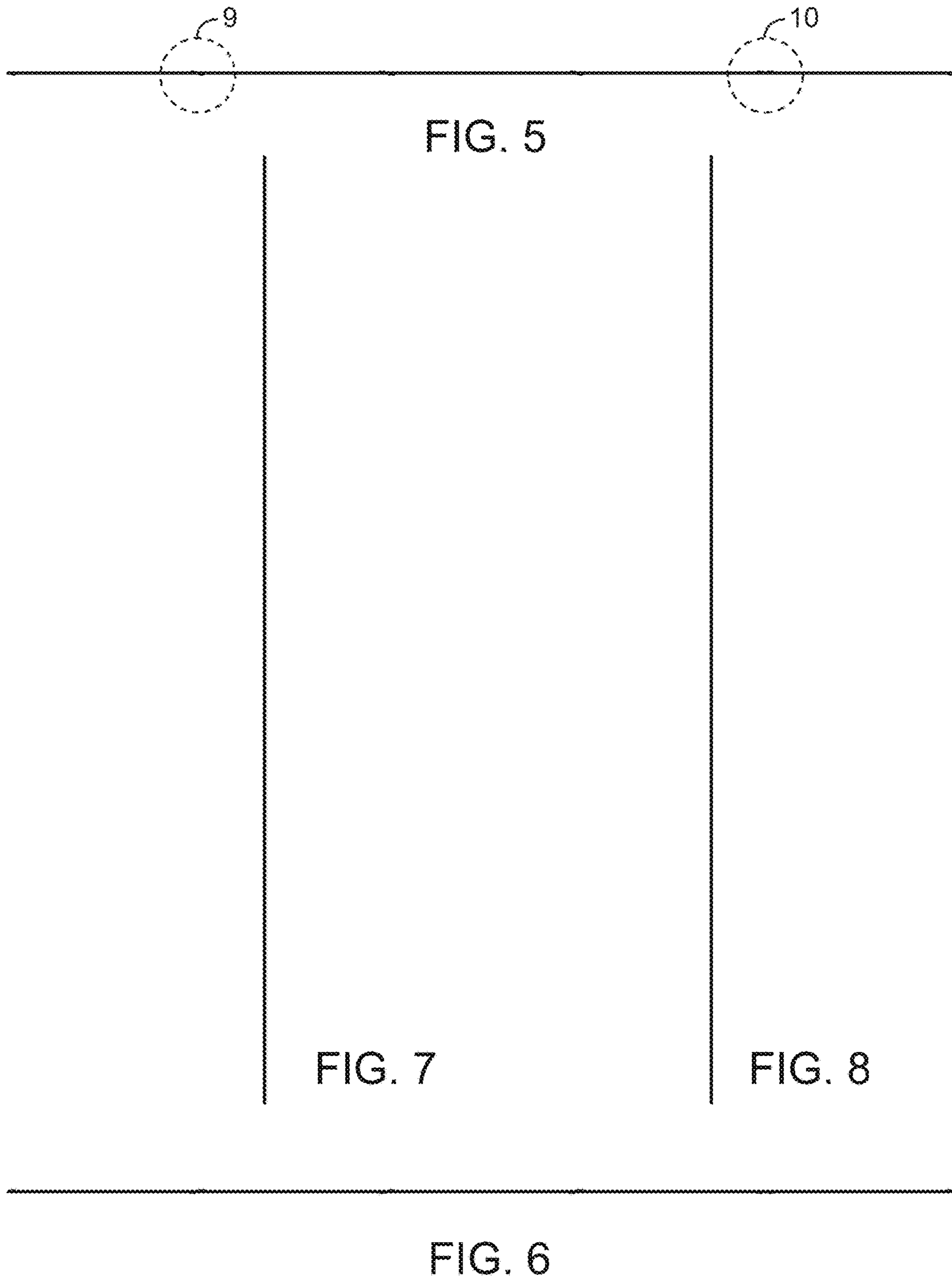


FIG. 4



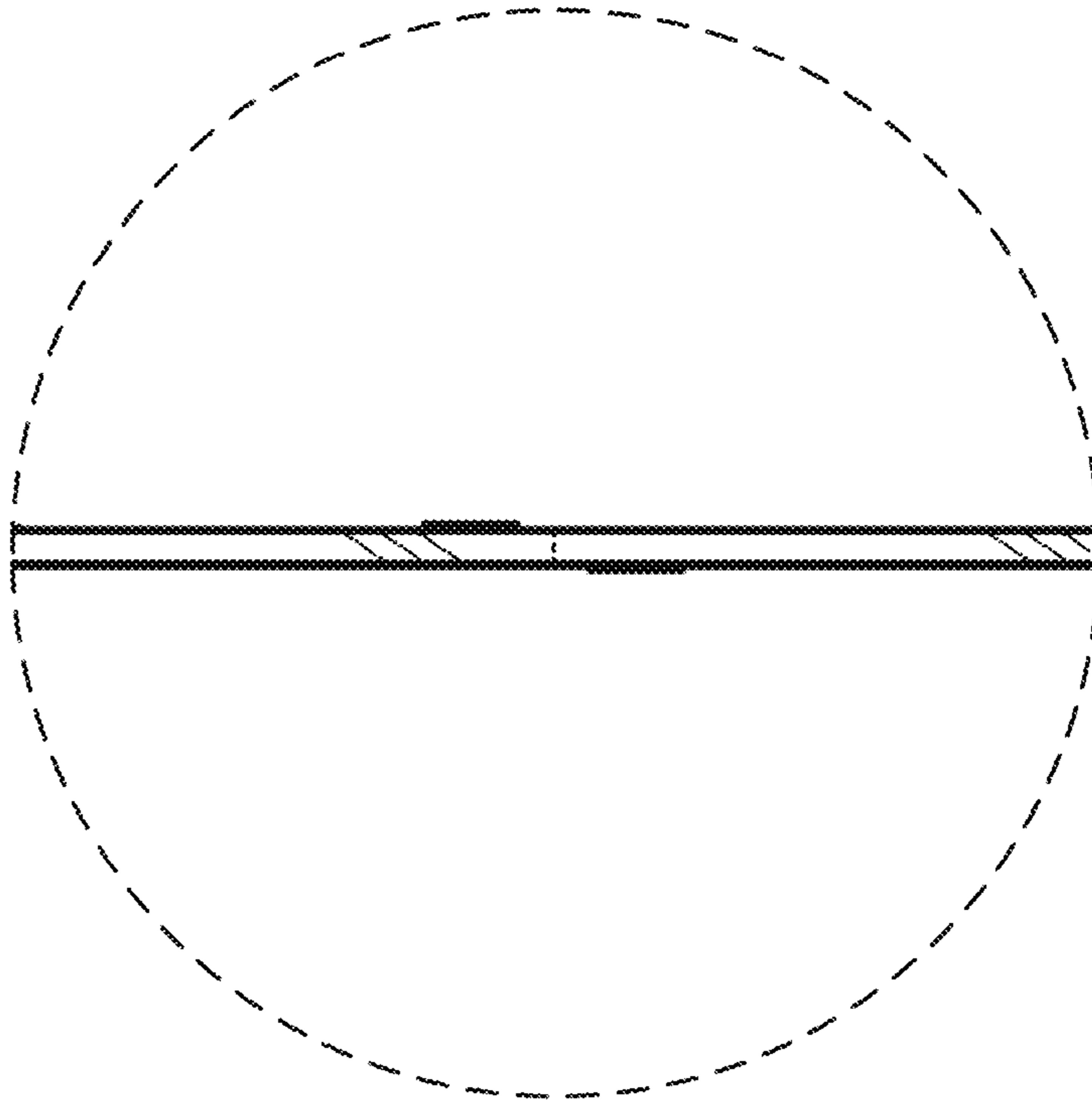


FIG. 9

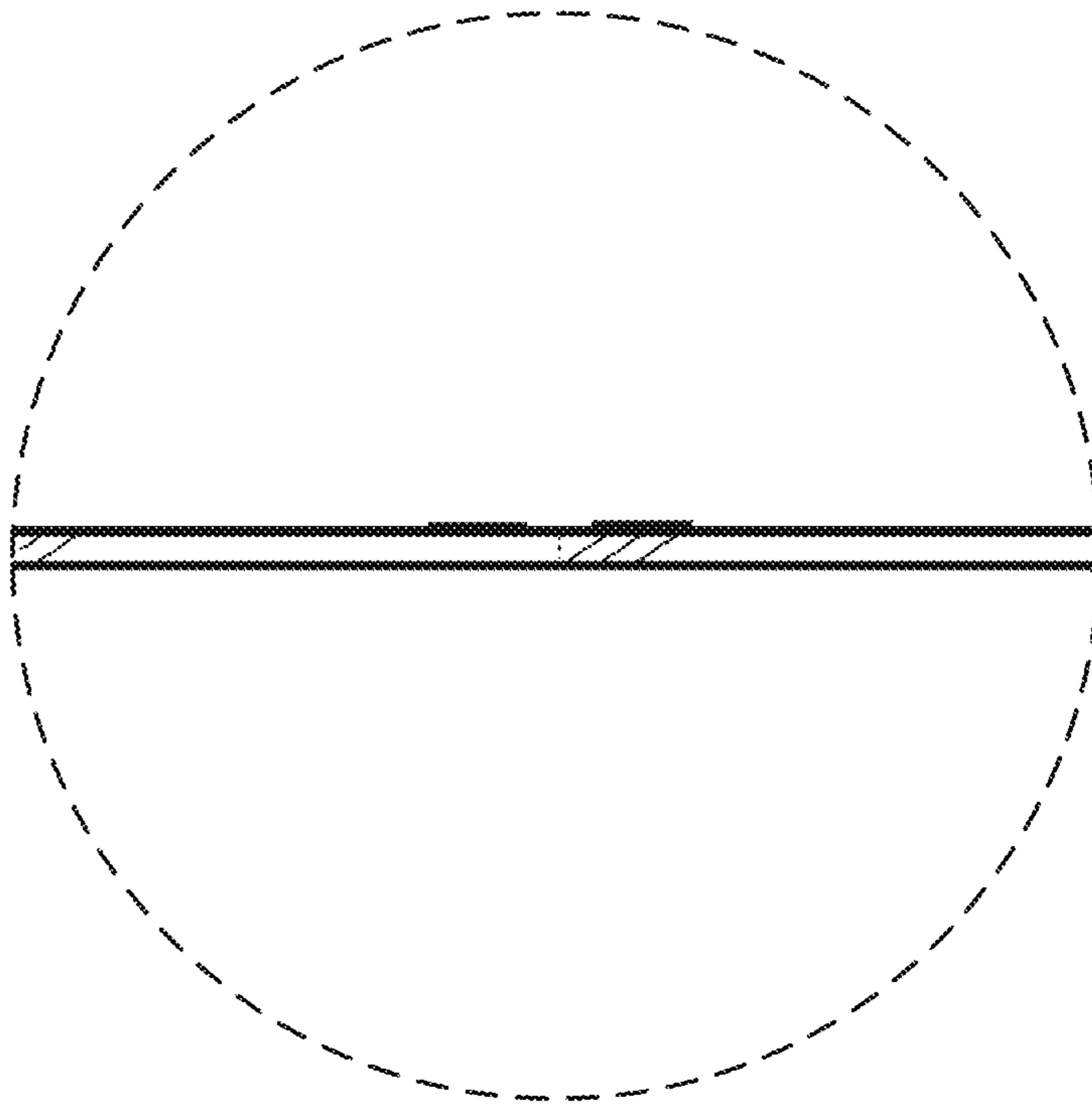


FIG. 10