



US00D815015S

(12) **United States Design Patent**
Le et al.

(10) **Patent No.:** **US D815,015 S**
(45) **Date of Patent:** **** Apr. 10, 2018**

(54) **TIRE**
(71) Applicant: **The Goodyear Tire & Rubber Company, Akron, OH (US)**
(72) Inventors: **Phuoc Thuan Le, Attert (BE); Laurent Nicolas Guy Dominique Van Miegroet, Sprimont (BE); Joel Patrice Schmitt, Villers-la-Chevre (FR); Agnes Nathalie Iwana Enschede, Arlon (BE); Didier Winkin, Bastogne (BE); Michel Pierre Charles Robert, Sibret (BE); Franck Reygrobellet, Howald (LU); Philippe Jean-Marie Cotton, Habay (BE)**

D599,281 S 9/2009 Scheuren D12/553
D601,085 S 9/2009 Janesh et al. D12/600
D604,226 S 11/2009 Scheuren D12/553
D604,228 S 11/2009 Le et al. D12/582
D604,229 S 11/2009 Le et al. D12/582
D609,169 S 2/2010 Feider D12/588
D619,081 S 7/2010 Nicolas et al. D12/571

(Continued)

Primary Examiner — Robert M. Spear
(74) *Attorney, Agent, or Firm* — Robert N. Lipsik

(73) Assignee: **The Goodyear Tire & Rubber Company, Akron, OH (US)**

(**) Term: **15 Years**

(21) Appl. No.: **29/599,130**

(22) Filed: **Mar. 31, 2017**

(51) **LOC (11) Cl.** **12-15**

(52) **U.S. Cl.**
USPC **D12/521**

(58) **Field of Classification Search**
USPC D12/515, 516, 517, 518, 519, 520, 521,
D12/522, 523, 531, 532, 900
See application file for complete search history.

(56) **References Cited**

U.S. PATENT DOCUMENTS

D448,707 S 10/2001 Maziarka et al. D12/147
D534,858 S 1/2007 Le et al. D12/553
D579,855 S * 11/2008 Fontaine D12/521
D584,679 S 1/2009 Radulescu D12/553
D592,590 S 5/2009 Janesh et al. D12/600

(57) **CLAIM**

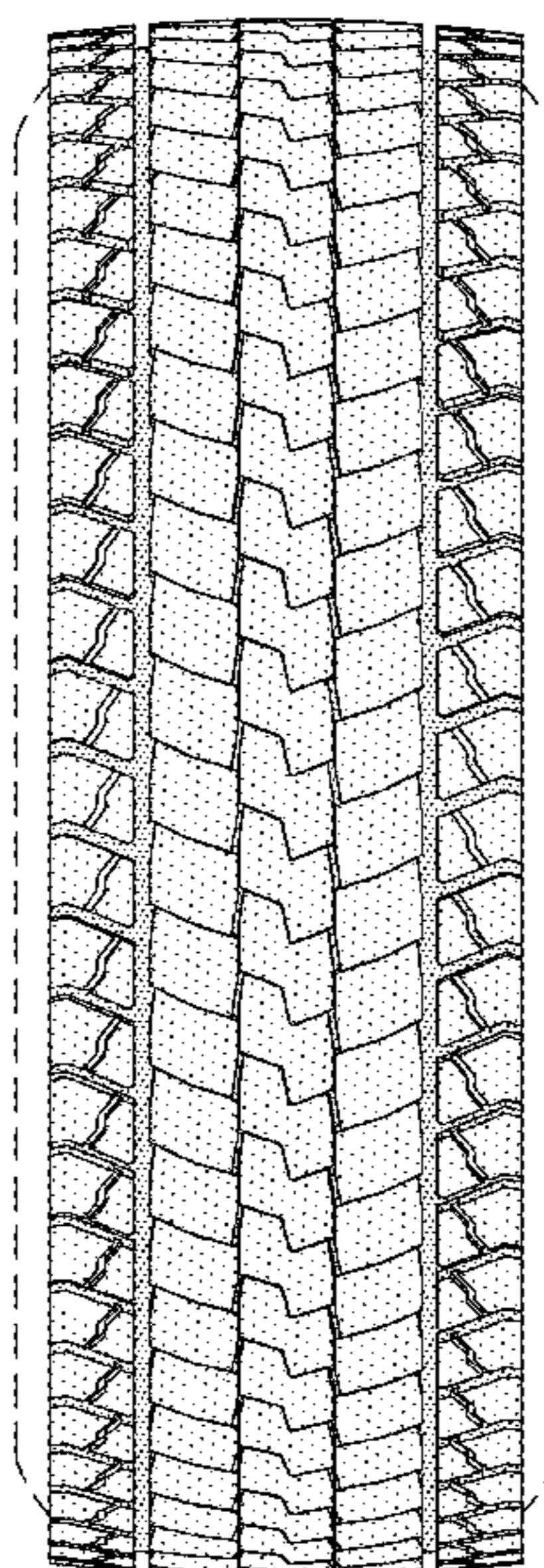
The ornamental design for a tire, as shown and described.

DESCRIPTION

FIG. 1 is a perspective view of a tire showing our new design, it being understood that the pattern repeats uniformly throughout the circumference of the tread;
FIG. 2 is a front elevational view thereof;
FIG. 3 is a right side elevational view thereof; the left side elevational view being identical thereto;
FIG. 4 is an enlarged fragmentary front elevational view thereof;
FIG. 5 is a perspective view of a second embodiment of a tire showing our new design, it being understood that the interior of the tire forms no part of the claim, that the pattern repeats uniformly throughout the circumference of the tread and that the opposite side view is identical thereto; and,
FIG. 6 is a front elevational view of a second embodiment, it being understood that an enlarged fragmentary view thereof would be substantially identical to that shown in FIG. 4, with the exception of the inclusion of the sidewall in the claim.

In the drawings, the broken lines immediately adjacent to the outer edges of the tire shoulder represent boundaries of the claim, and the broken lines depict environmental subject matter only and form no part of the claimed design.

1 Claim, 6 Drawing Sheets



(56)

References Cited

U.S. PATENT DOCUMENTS

D627,710 S	11/2010	Rodicq et al.	D12/583
D648,264 S	11/2011	Le et al.	D12/588
D666,965 S	9/2012	Aoki	D12/553
D668,202 S *	10/2012	Bonnamour	D12/517
D674,741 S	1/2013	Mathonet et al.	D12/588
D700,885 S	3/2014	Le et al.	D12/588
D702,180 S	4/2014	Le et al.	D12/588
D764,397 S	8/2016	Dixon et al.	D12/601
D770,371 S	11/2016	Mathonet et al.	D12/601
D789,277 S *	6/2017	Dixon	D12/518

* cited by examiner

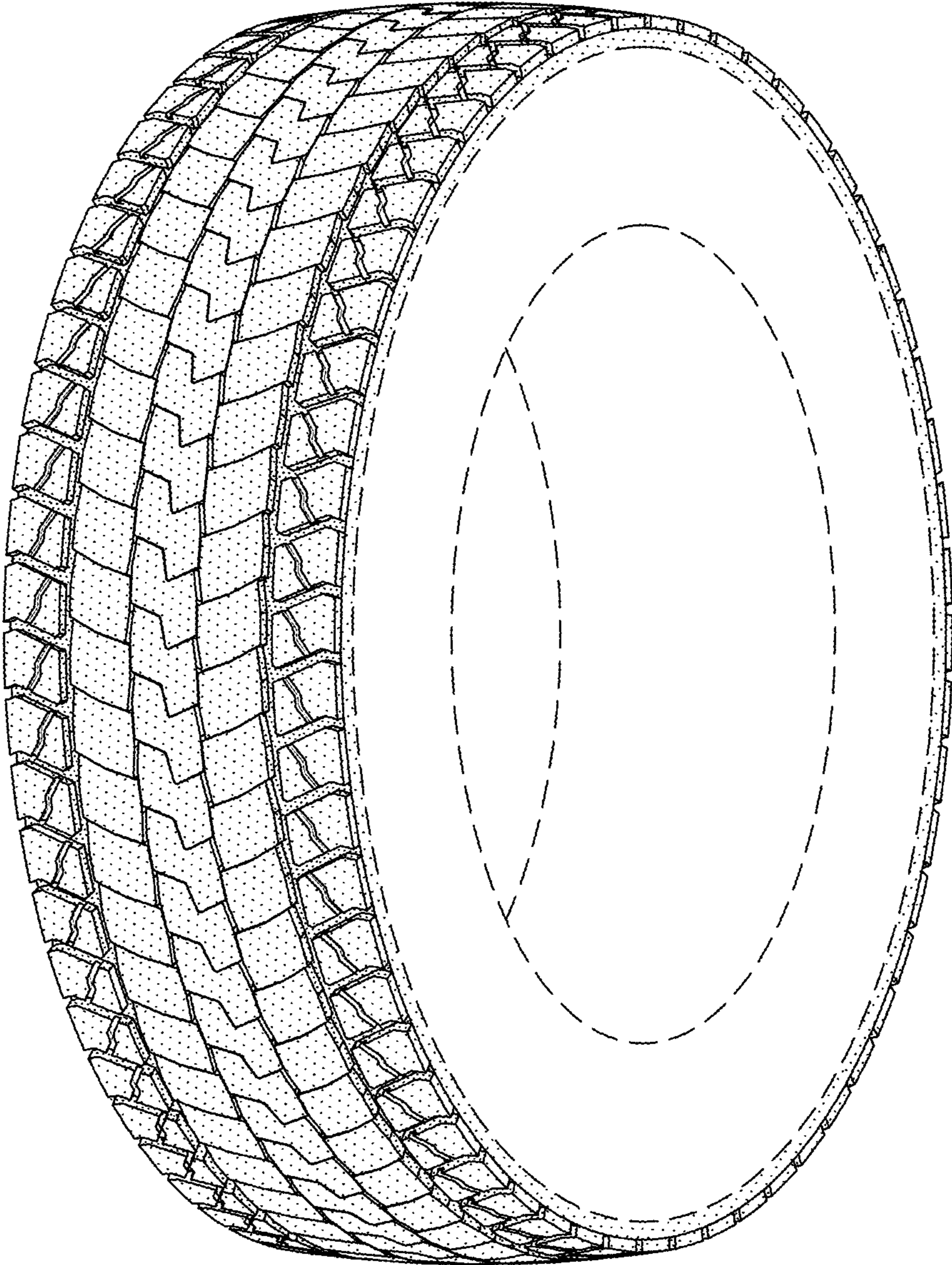


FIG. 1

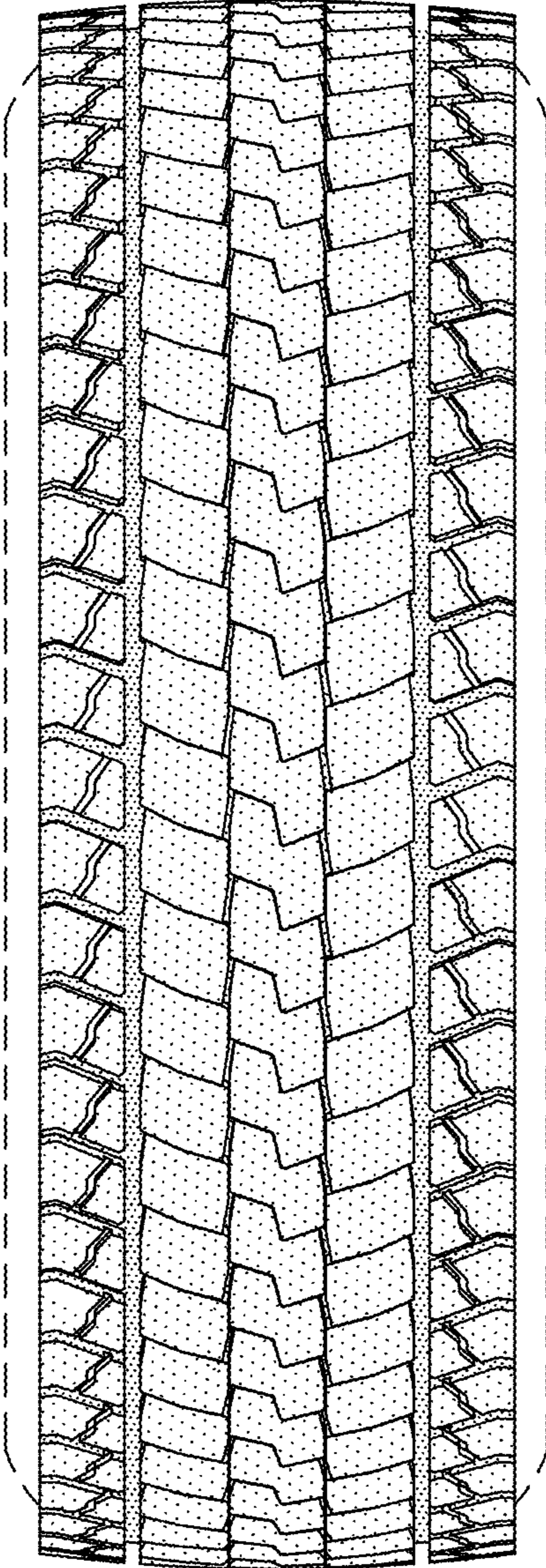


FIG. 2

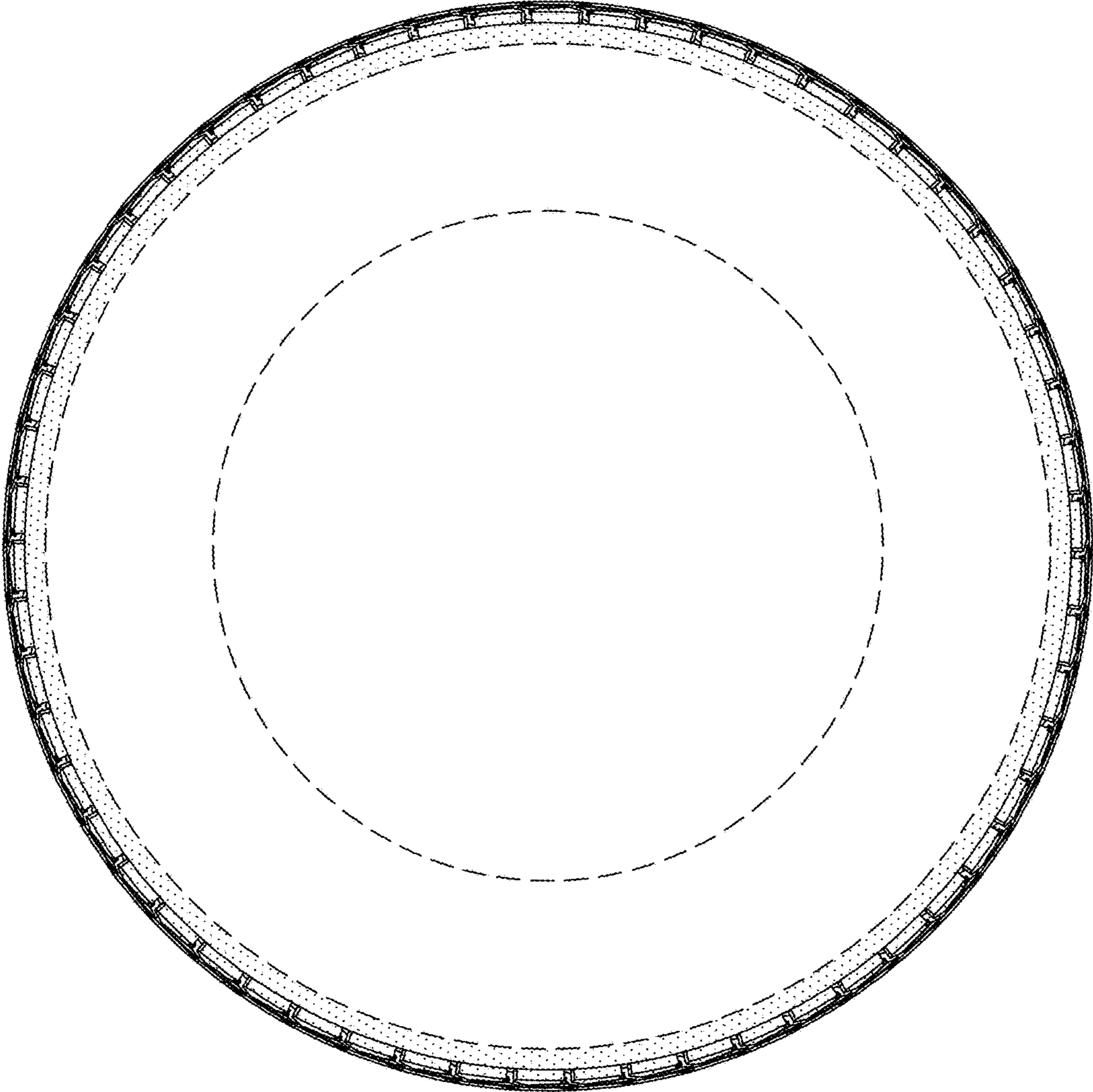


FIG. 3

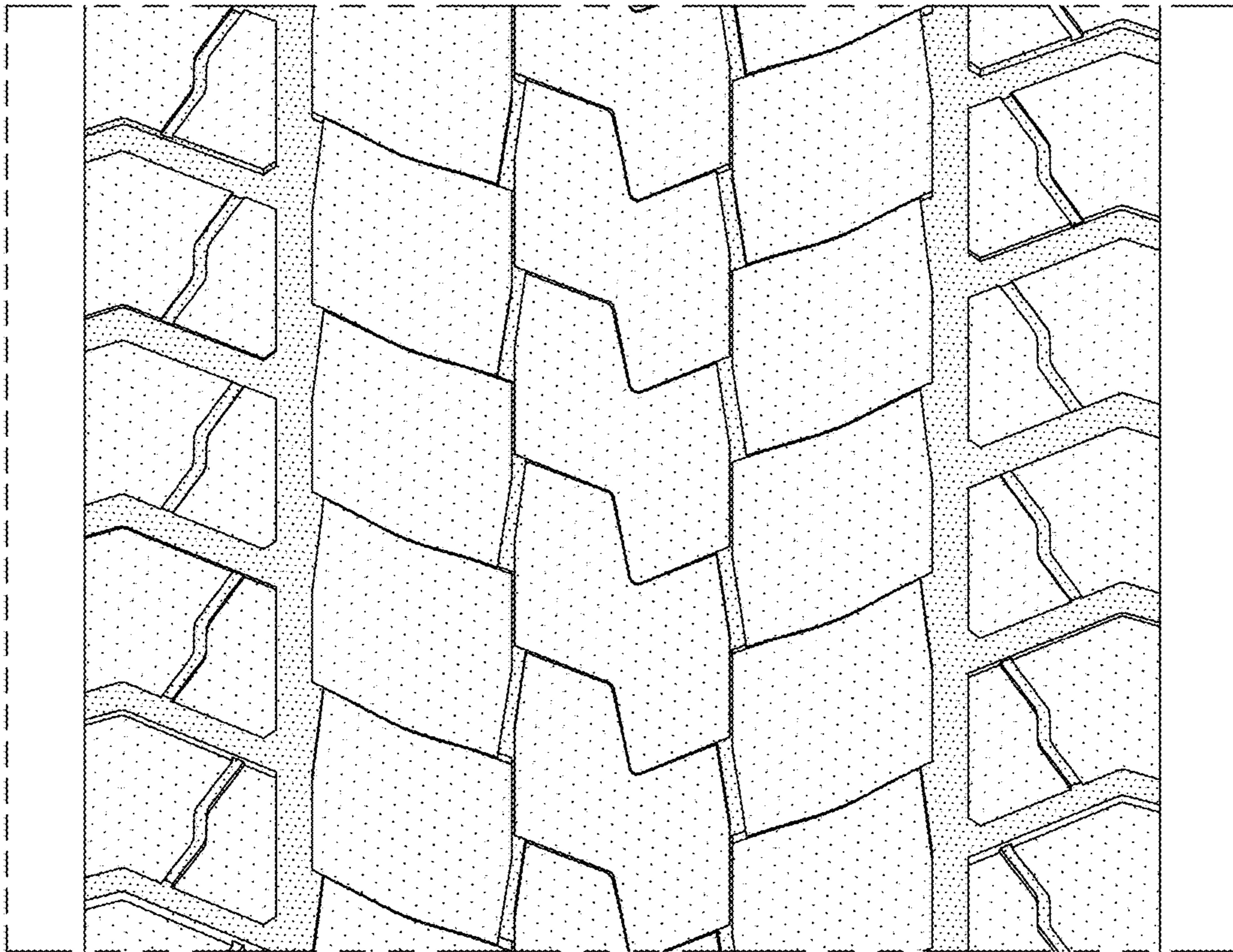


FIG. 4

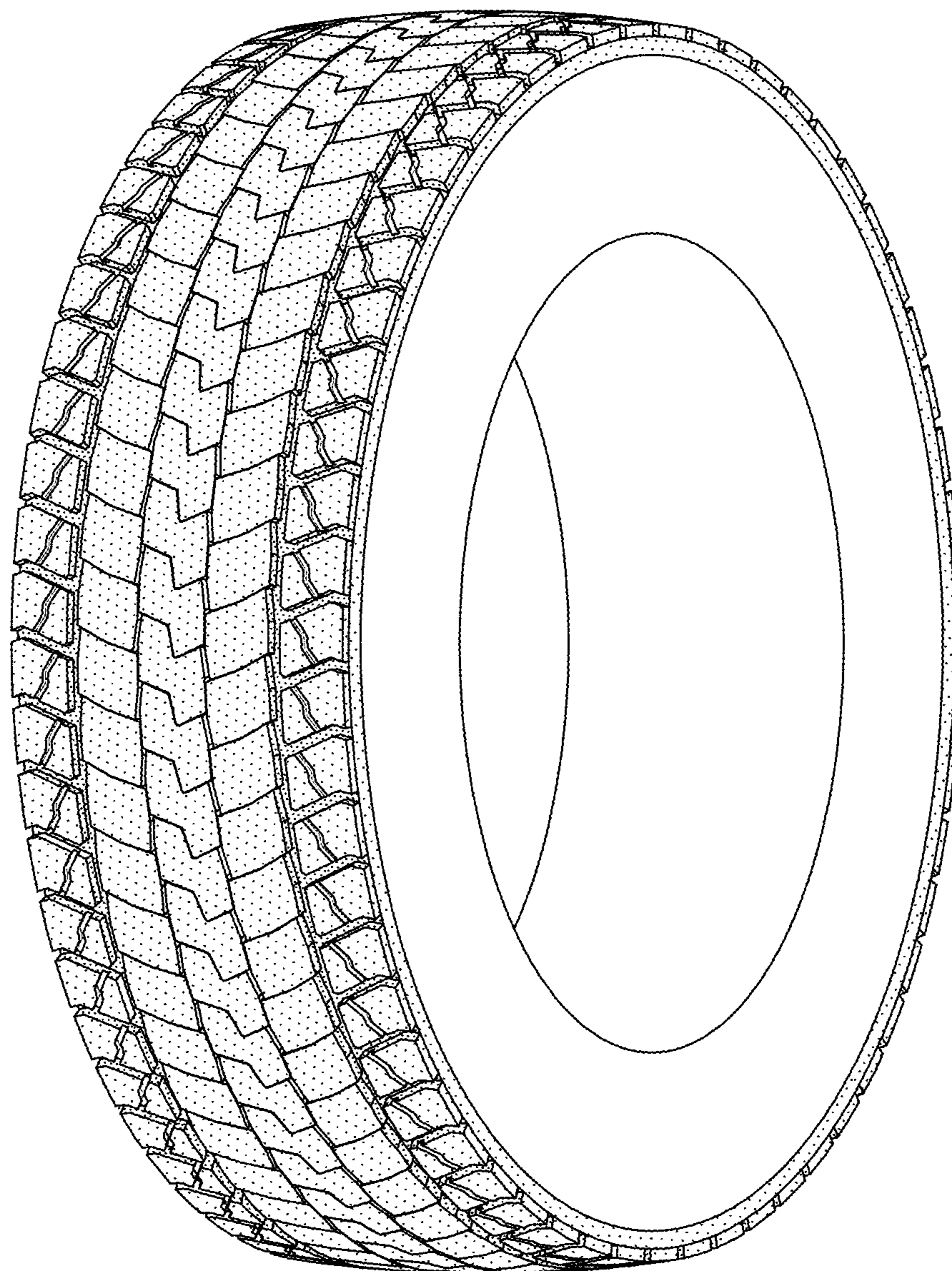


FIG. 5

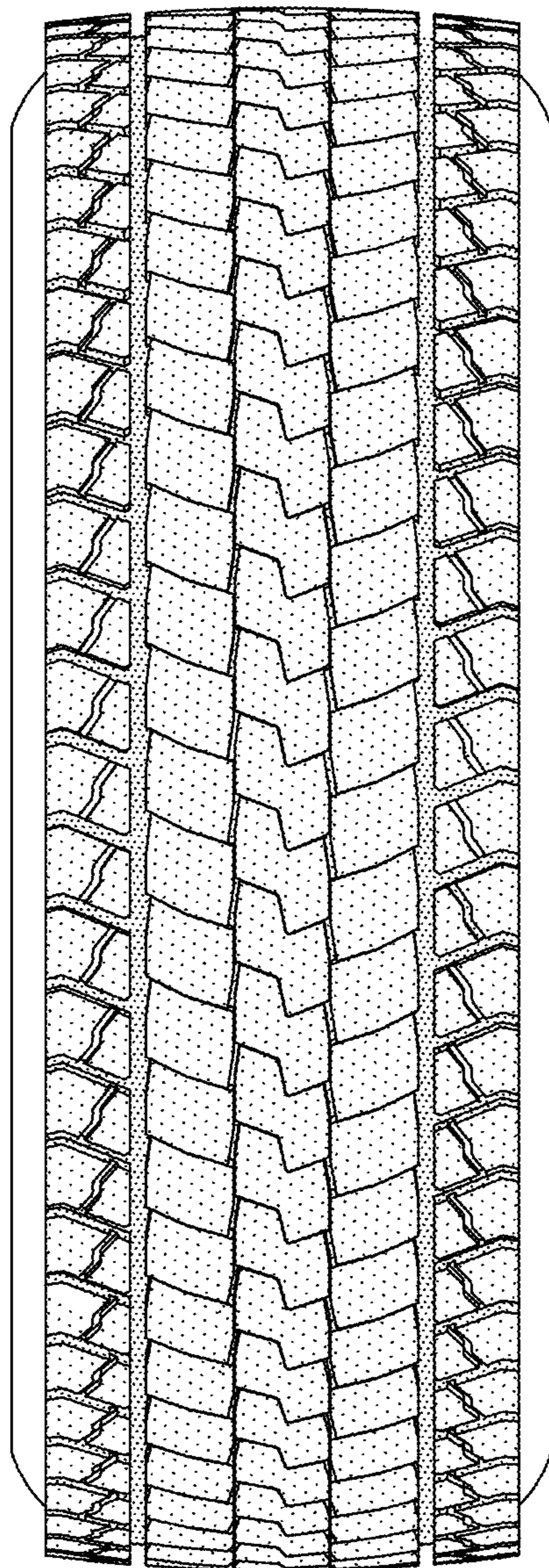


FIG. 6