



US00D815013S

(12) **United States Design Patent** (10) **Patent No.:** **US D815,013 S**  
**Cunningham** (45) **Date of Patent:** **\*\* Apr. 10, 2018**

(54) **PERSONAL COMPUTING DEVICE HOLDER**

(56) **References Cited**

(71) Applicant: **Kelly W. Cunningham**, Los Angeles, CA (US)

U.S. PATENT DOCUMENTS

(72) Inventor: **Kelly W. Cunningham**, Los Angeles, CA (US)

5,357,680 A 10/1994 Monistere  
2009/0270050 A1 10/2009 Brown  
2012/0031937 A1 2/2012 Baker  
2015/0084356 A1 3/2015 Dinh

(\*\*) Term: **15 Years**

OTHER PUBLICATIONS

(21) Appl. No.: **29/586,123**

<https://images-na.ssl-images-amazon.com/images/I/51agreJRm9L.jpg> (1 page).

(22) Filed: **Dec. 1, 2016**

[https://images-na.ssl-images-amazon.com/images/I/61UX1zNISSL\\_SL1100\\_.jpg](https://images-na.ssl-images-amazon.com/images/I/61UX1zNISSL_SL1100_.jpg) (1 page).

**Related U.S. Application Data**

*Primary Examiner* — Catherine R Oliver-Garcia

(60) Continuation of application No. 29/546,519, filed on Nov. 23, 2015, now Pat. No. Des. 805,021, which is a division of application No. 29/529,975, filed on Jun. 11, 2015, now Pat. No. Des. 805,020.

(74) *Attorney, Agent, or Firm* — Cisko & Thomas, LLP; Kelly W. Cunningham

(51) **LOC (11) Cl.** ..... **12-16**

(57) **CLAIM**

(52) **U.S. Cl.**

The ornamental design for a personal computing device holder, as shown and described herein.

USPC ..... **D12/415**

(58) **Field of Classification Search**

**DESCRIPTION**

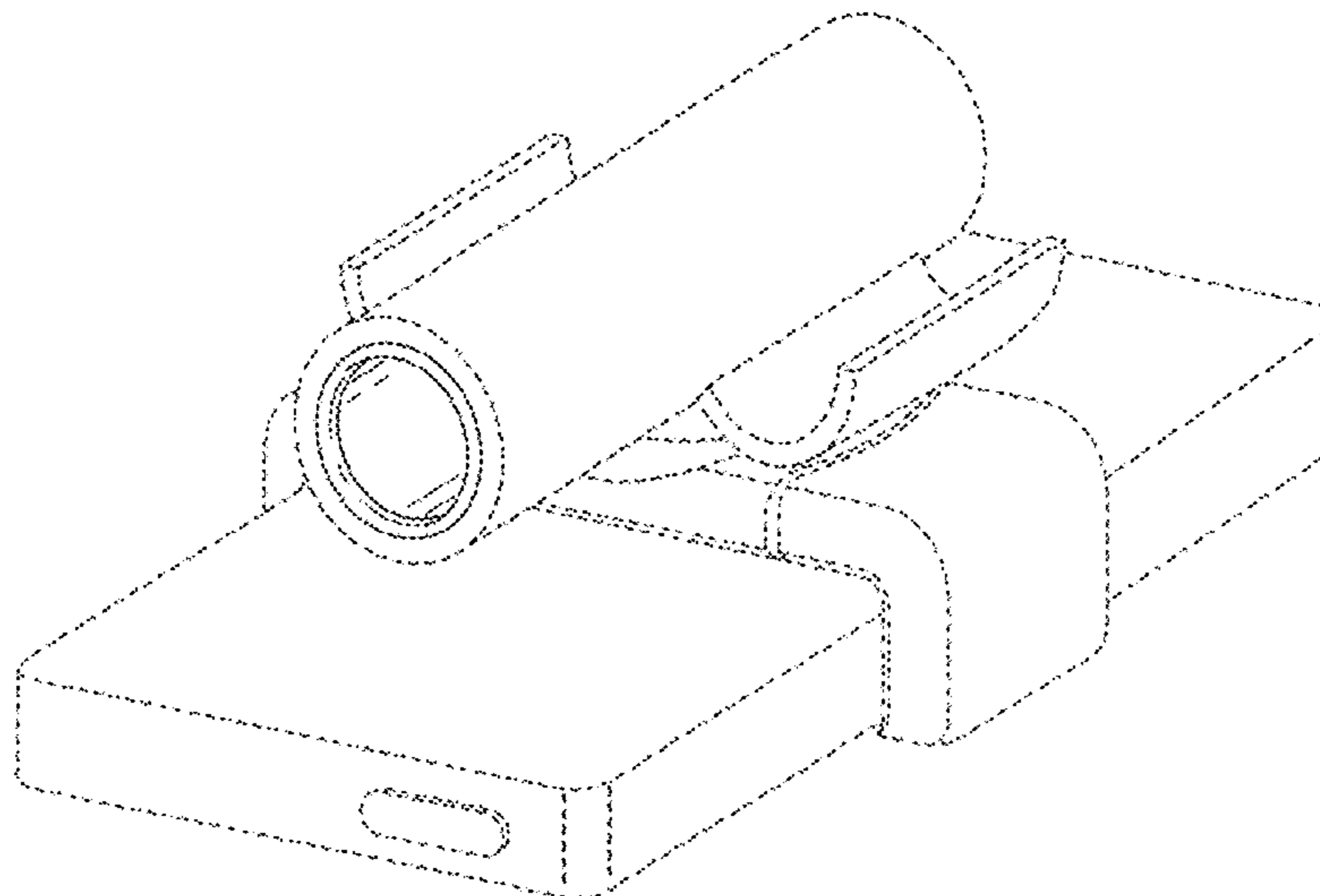
USPC ..... D12/415, 402, 406-407, 420; D14/253, D14/251, 252, 447, 451, 452, 440, 434, D14/458, 432, 439, 457, 460, 23, 8, 140, D14/142, 149, 217, 148, 140.8, 140.11, D14/209.1, 151, 140.9, 250, 2, 38; D3/218; 455/575.1-575.8; 379/433.07; 224/162, 197, 217-218; 206/45.2, 320; 24/3.13, 298; 248/206.5, 309.4, 683  
CPC ..... B60R 2011/008; B60R 11/02; B60R 11/0241; B60R 11/0258; B60R 11/0252; B60R 2011/0294; F16M 11/00; F16M 11/04; F16M 11/041; F16M 11/06; F16M 13/00; H04M 1/11; H04M 1/12; A47F 7/022; B62J 11/00; H05K 7/00; G03B 17/56

FIG. 1 is a front perspective view of my personal computing device holder;  
FIG. 2. is a front view thereof, the rear view thereof being identical;  
FIG. 3. is a top plan view thereof;  
FIG. 4. is a bottom view thereof;  
FIG. 5. is a right side view thereof, the left side view being identical; and,  
FIG. 6. is a cross-sectional view thereof as seen from the VI-VI line indicated in FIG. 5.

The broken lines depict environmental structure and are for illustrative purposes only and form no part of the claimed design.

See application file for complete search history.

**1 Claim, 3 Drawing Sheets**



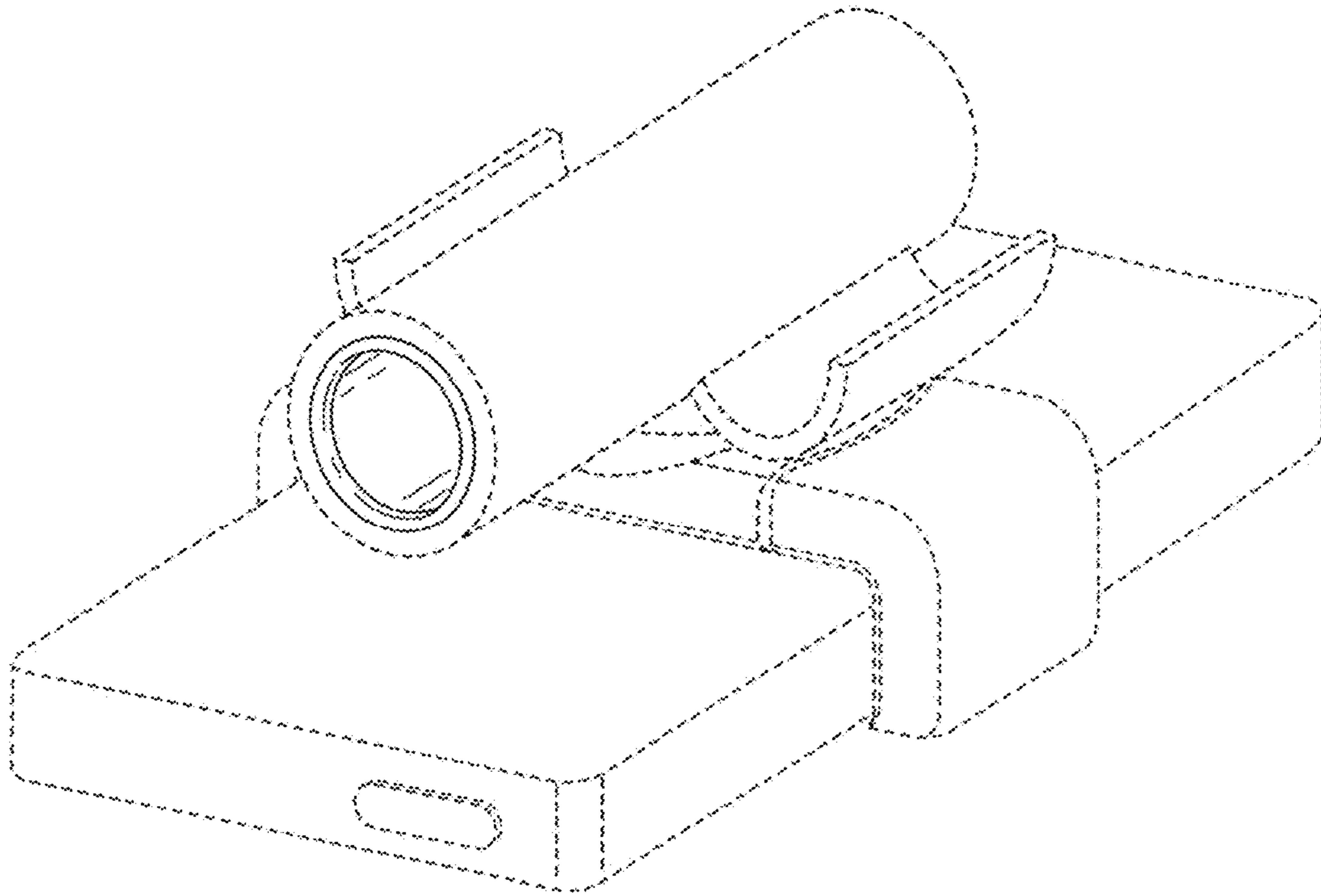


Fig. 1

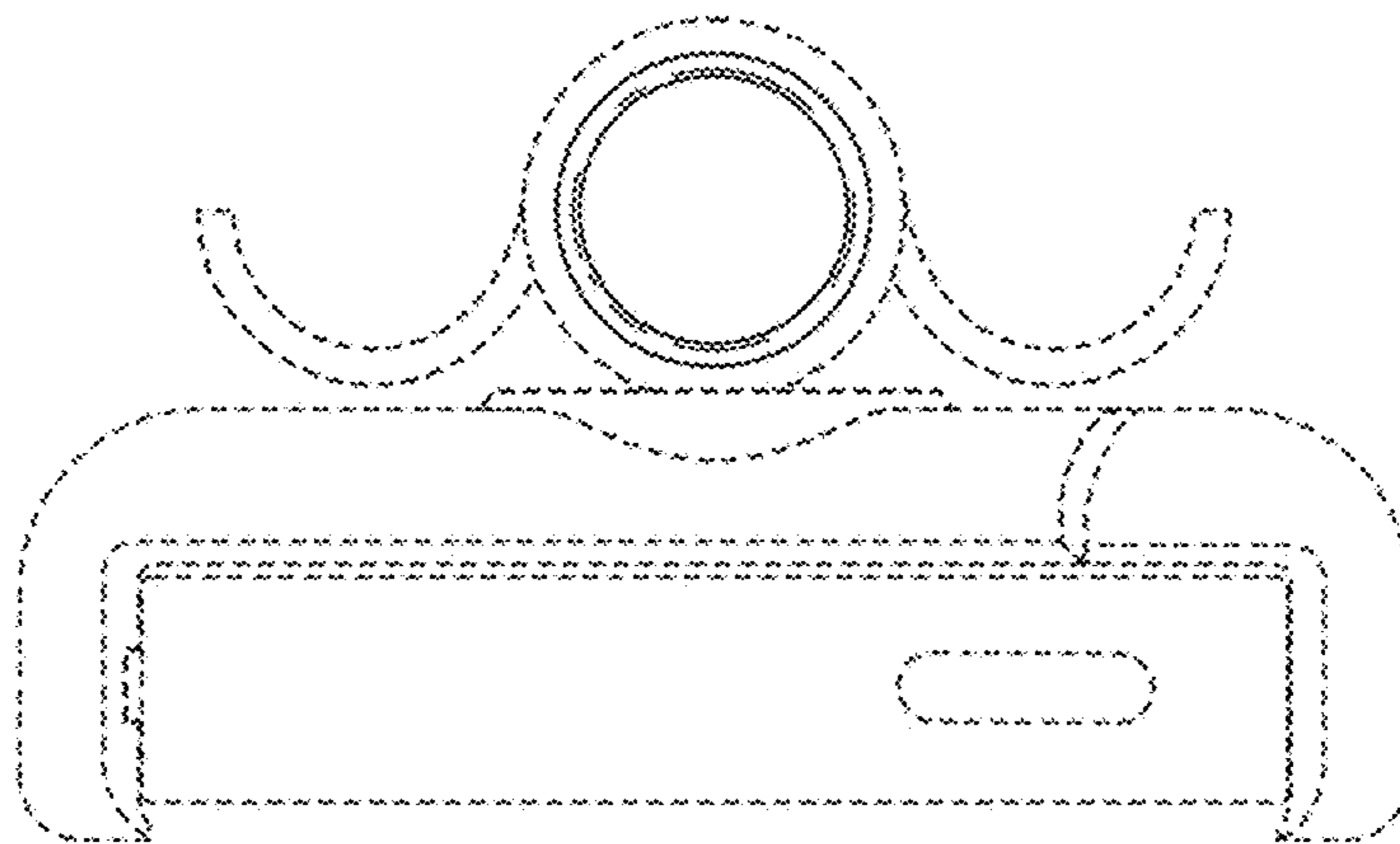


Fig. 2

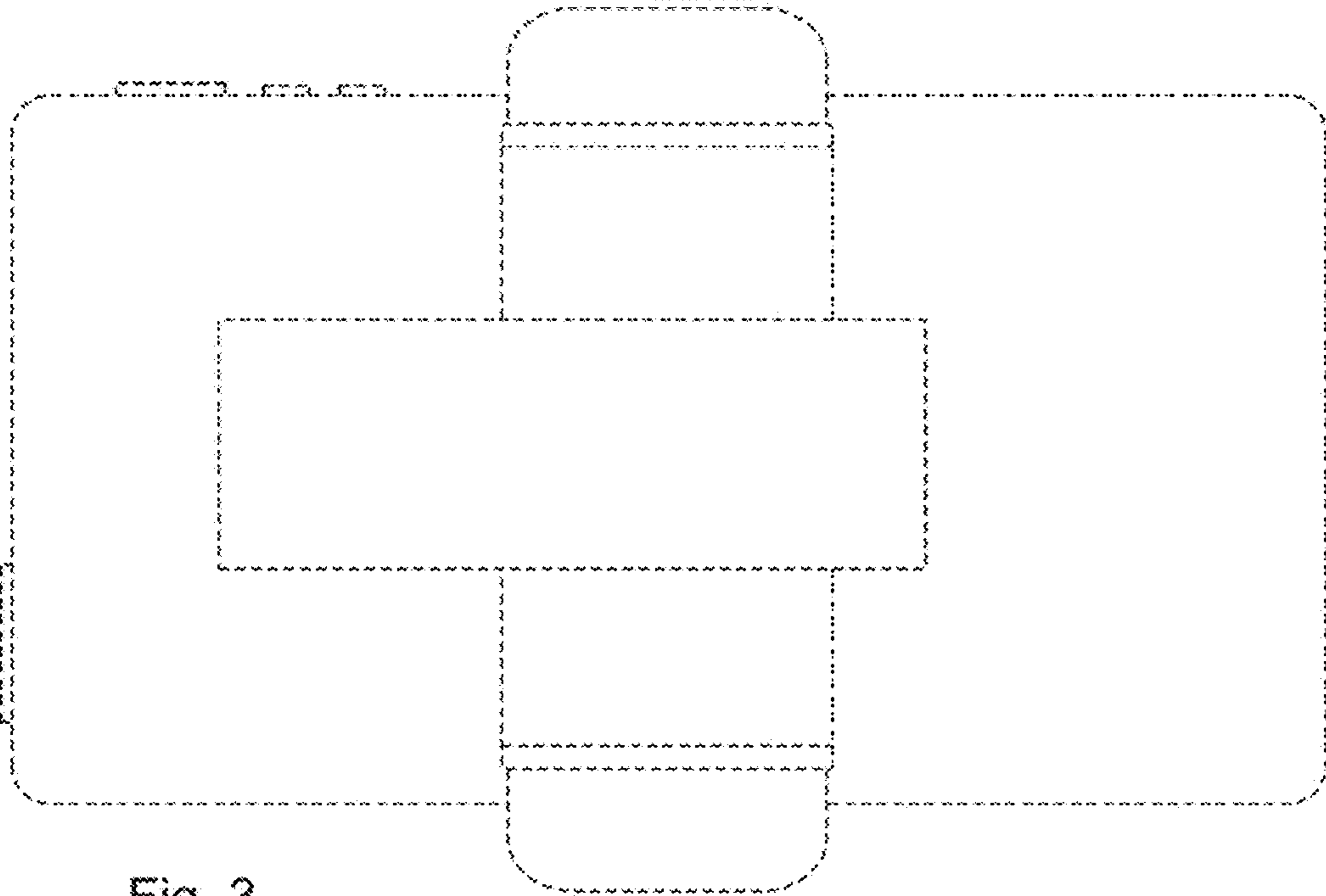


Fig. 3

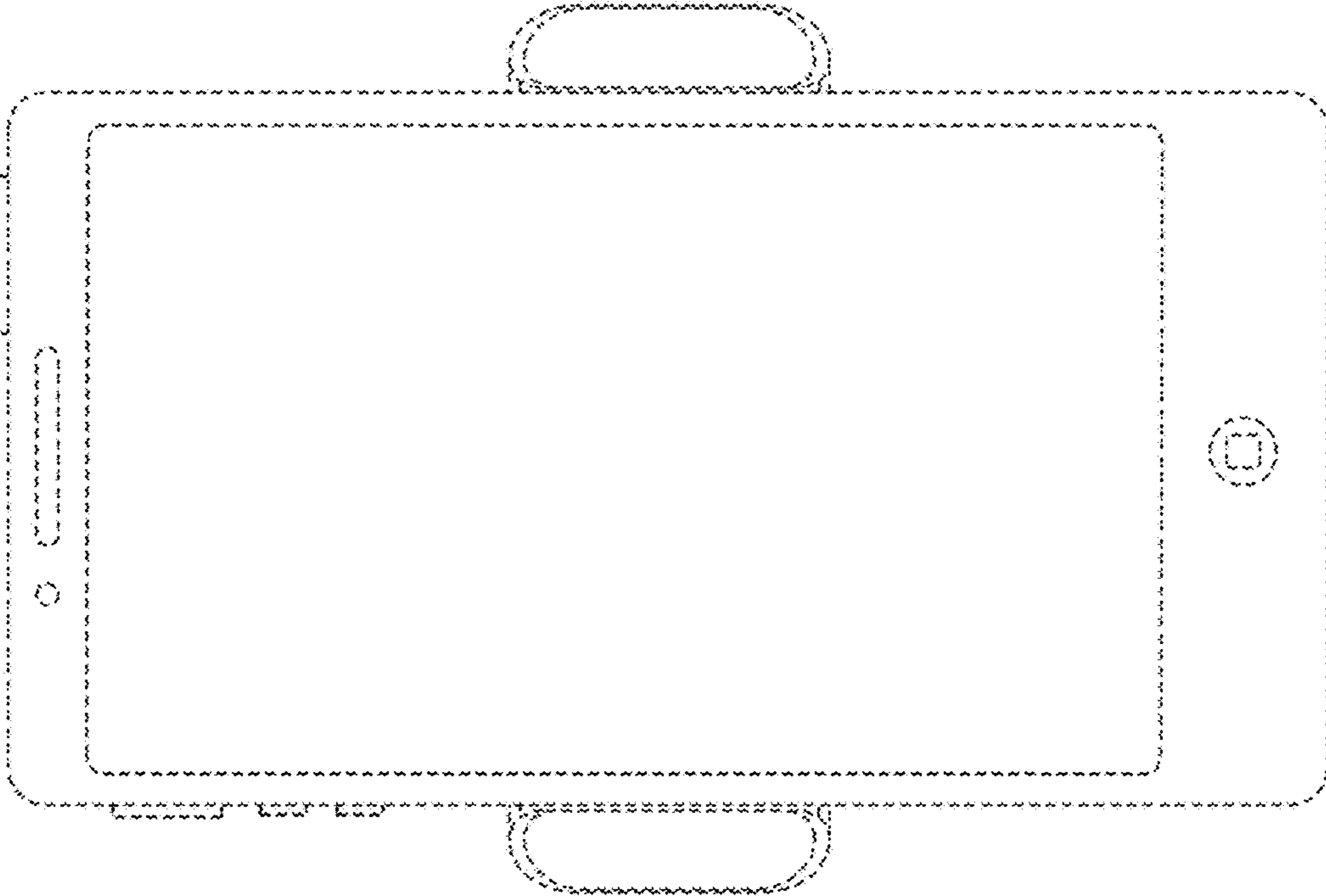


Fig. 4

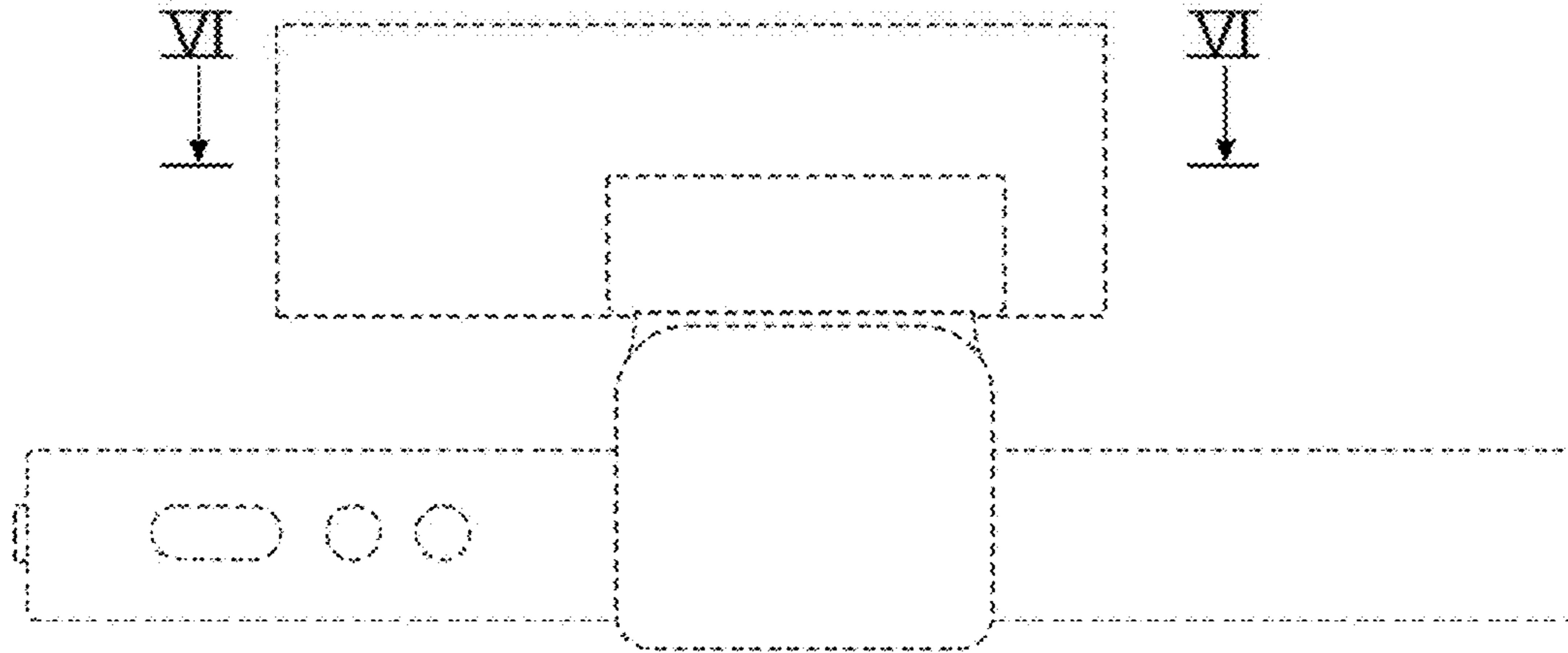


Fig. 5

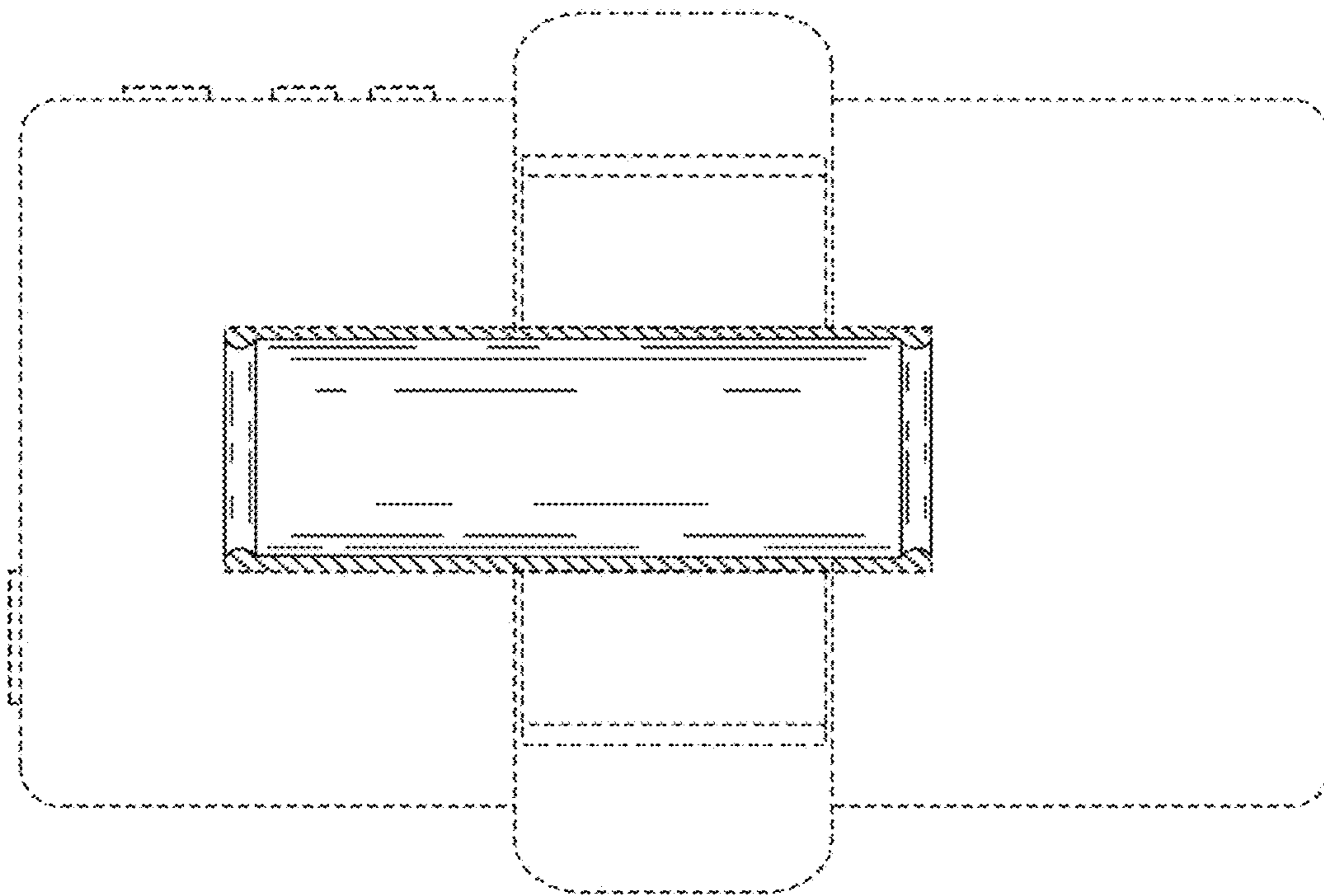


Fig. 6