



US00D815011S

(12) **United States Design Patent**  
**Berryhill, III**

(10) **Patent No.:** **US D815,011 S**  
(45) **Date of Patent:** **\*\* Apr. 10, 2018**

- (54) **PORTABLE BOAT DOCK**
- (71) Applicant: **ExcelR8 Manufacturing LLC**, Percy, AR (US)
- (72) Inventor: **Excell Elton Berryhill, III**, Percy, AR (US)
- (\*\*) Term: **15 Years**
- (21) Appl. No.: **29/604,330**
- (22) Filed: **May 17, 2017**
- (51) **LOC (11) Cl.** ..... **12-06**
- (52) **U.S. Cl.**  
USPC ..... **D12/317**
- (58) **Field of Classification Search**  
USPC ..... D12/101, 223, 317, 318  
CPC .... B63C 3/00; B63C 3/02; B63B 1/00; B63B 13/00; B60P 3/1033; B60P 3/1066; B60P 3/1075; B60F 3/0092  
See application file for complete search history.

D344,834	S	*	3/1994	Ries	.....	D12/317
5,425,322	A		6/1995	Ziober		
5,477,802	A		12/1995	Laue		
5,577,455	A		11/1996	Dvorak		
5,888,019	A	*	3/1999	Quastad	.....	B63C 3/06 114/44
5,961,139	A	*	10/1999	Nichols, II	.....	B60P 3/1066 114/344
6,453,837	B1		11/2002	Arbaugh		
6,932,014	B1		8/2005	Baucum		
7,025,531	B1	*	4/2006	Fournier	.....	B63C 5/02 114/44
7,156,356	B2	*	1/2007	Blattner	.....	B25H 1/06 108/115
7,878,732	B2		2/2011	Sandoval		
8,225,734	B2		7/2012	Huizenga		
8,678,703	B2	*	3/2014	Varsoke	.....	B63C 3/02 405/1

\* cited by examiner

*Primary Examiner* — Cynthia M Chin  
(74) *Attorney, Agent, or Firm* — Stephen D. Carver

(57) **CLAIM**

The ornamental design for a “portable boat dock,” as shown.

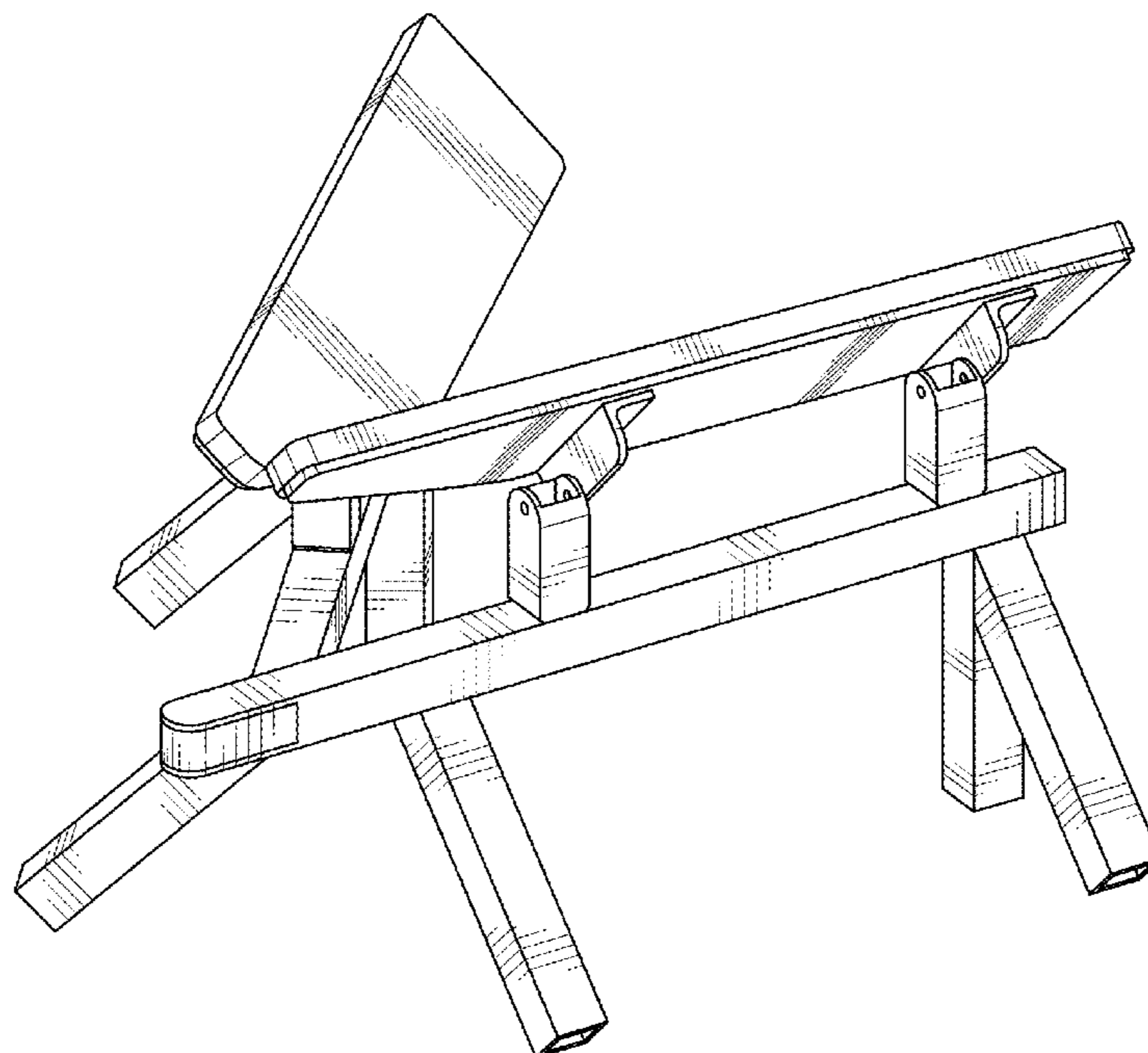
**DESCRIPTION**

FIG. 1 is a frontal isometric view of my portable boat dock, showing my new design;  
FIG. 2 is a rear isometric view thereof;  
FIG. 3 is a front elevational view thereof  
FIG. 4 is a rear elevational view thereof;  
FIG. 5 is a right side elevational view thereof;  
FIG. 6 is a left side elevational view thereof; and,  
FIG. 7 is a top plan view thereof.

**1 Claim, 7 Drawing Sheets**

(56) **References Cited**  
U.S. PATENT DOCUMENTS

1,515,435	A	11/1924	Glover
2,658,354	A	11/1953	Lee
2,896,564	A	7/1959	Wright
3,353,363	A	11/1967	Edson
4,468,150	A	8/1984	Price
4,803,942	A	2/1989	Dren
4,944,633	A	7/1990	Robb
4,972,791	A	11/1990	Williams
5,067,428	A	11/1991	Dickerson
5,186,576	A	2/1993	Fournier
5,267,811	A	12/1993	Evans



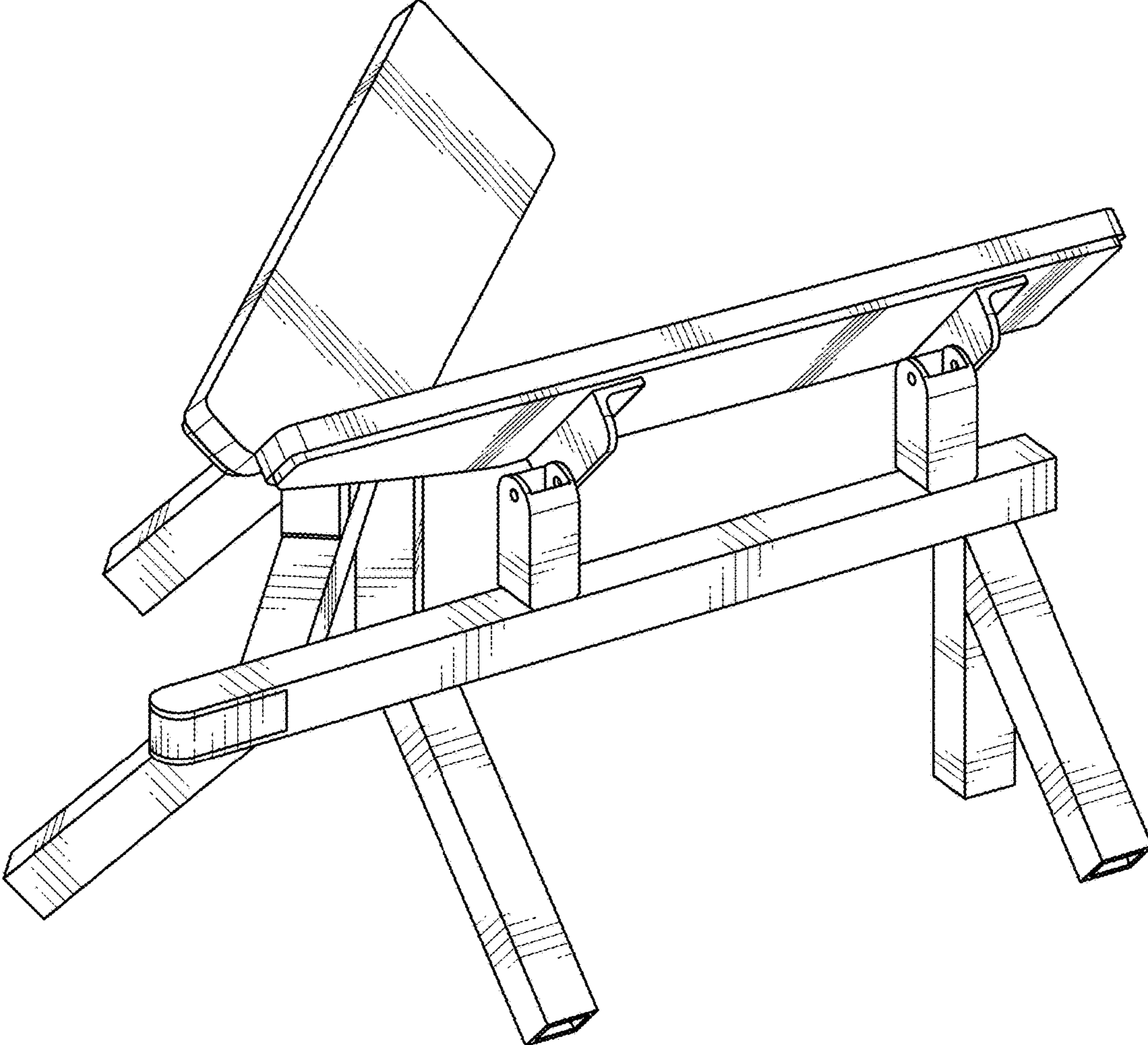


FIG. 1

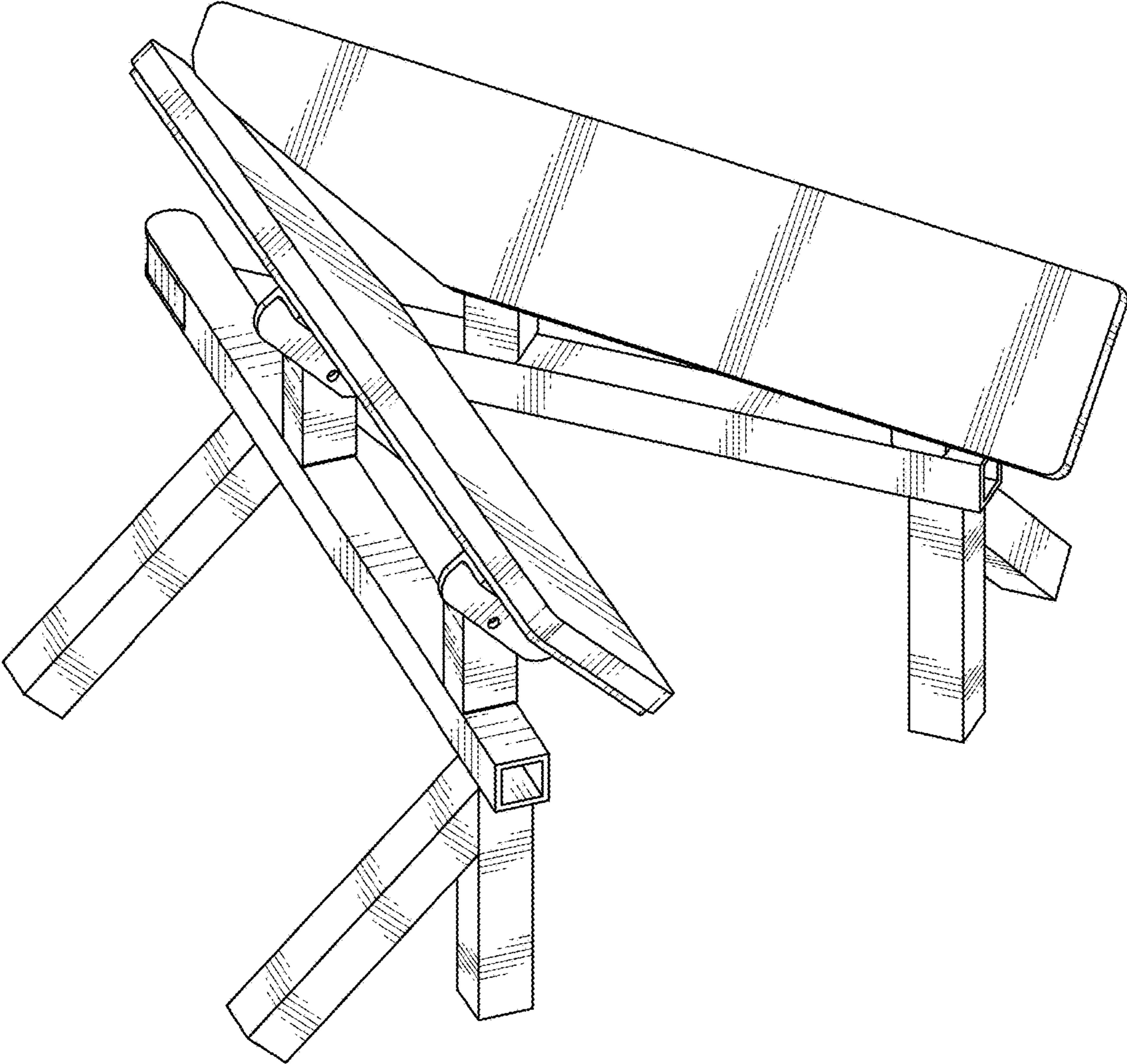


FIG. 2

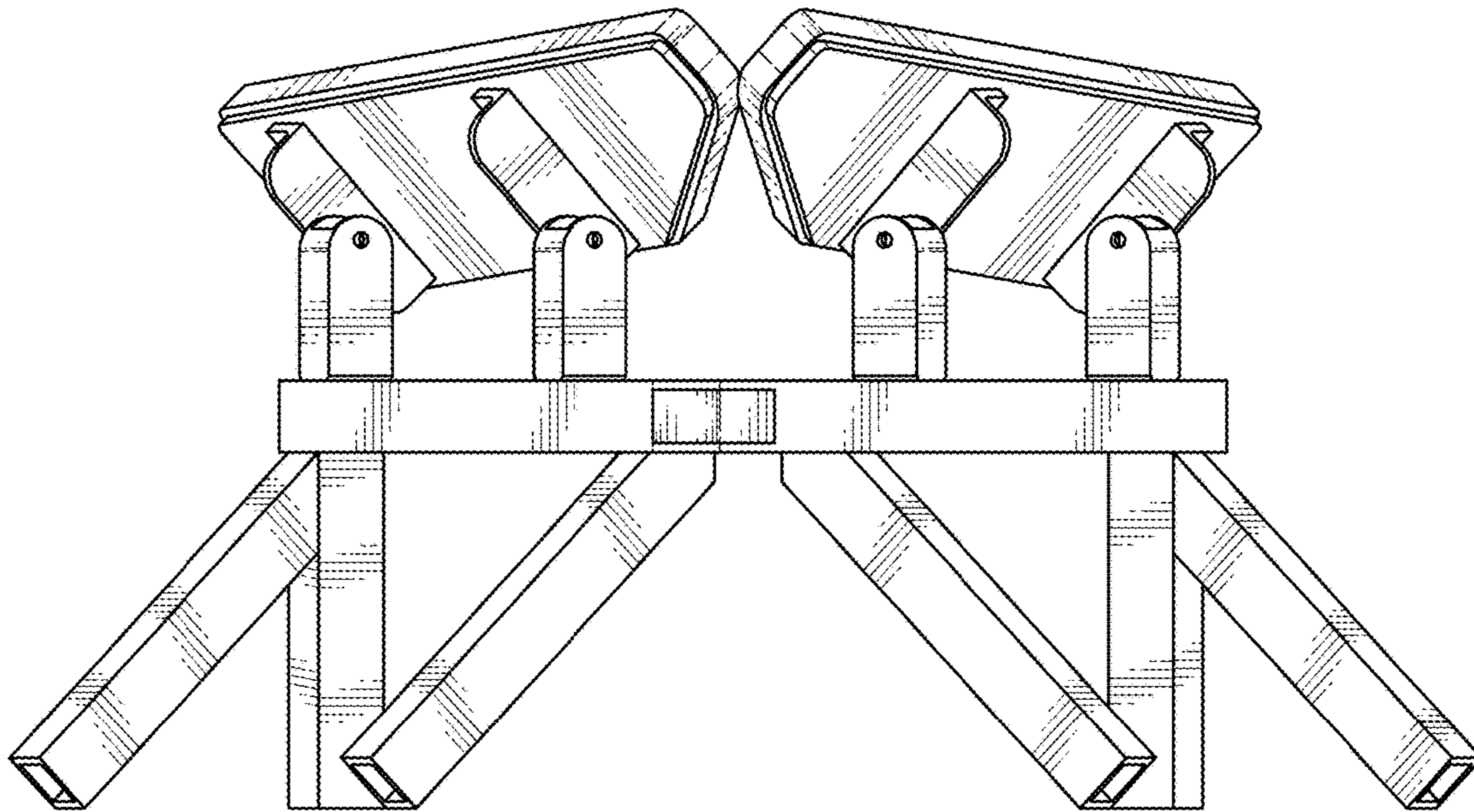


FIG. 3

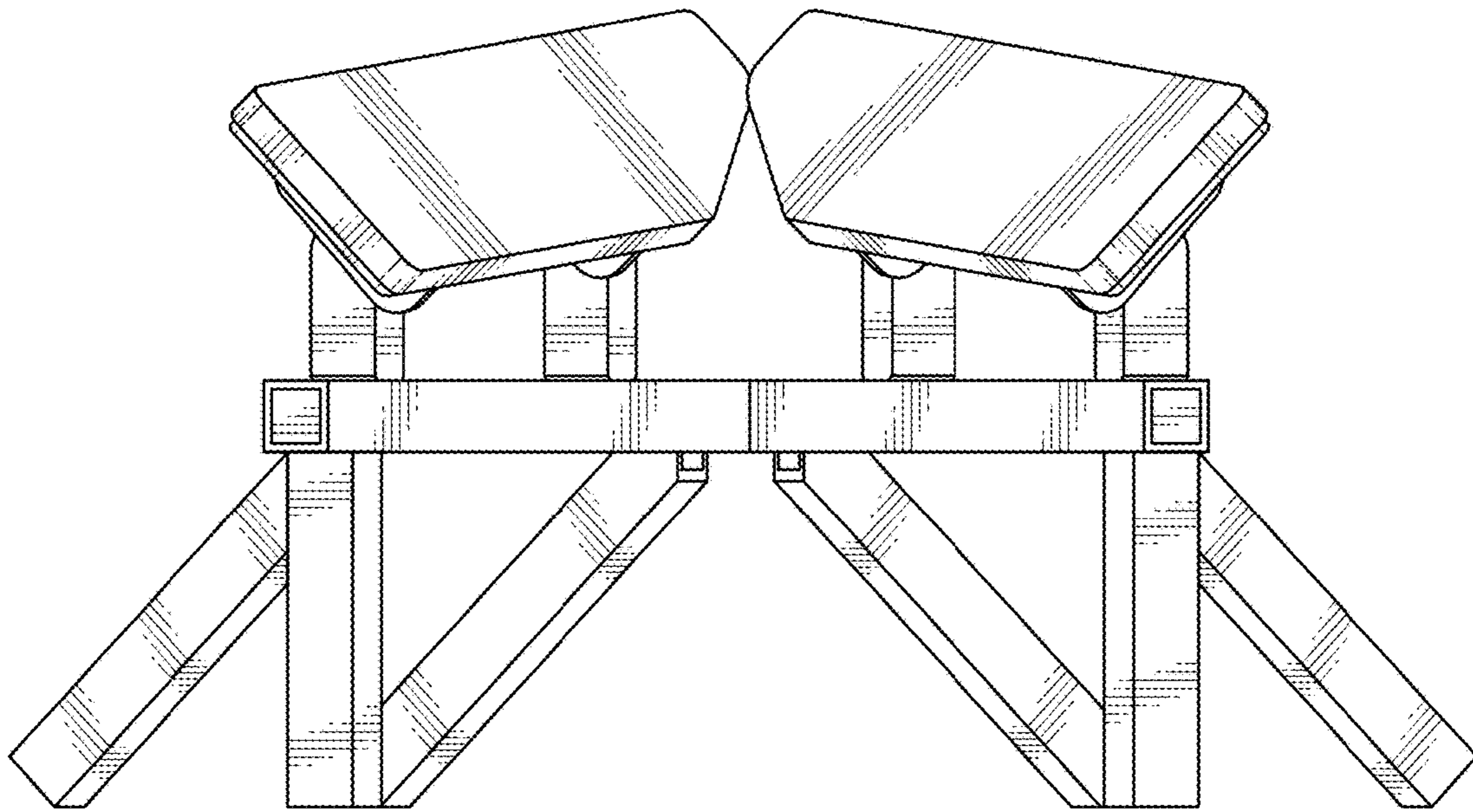


FIG. 4

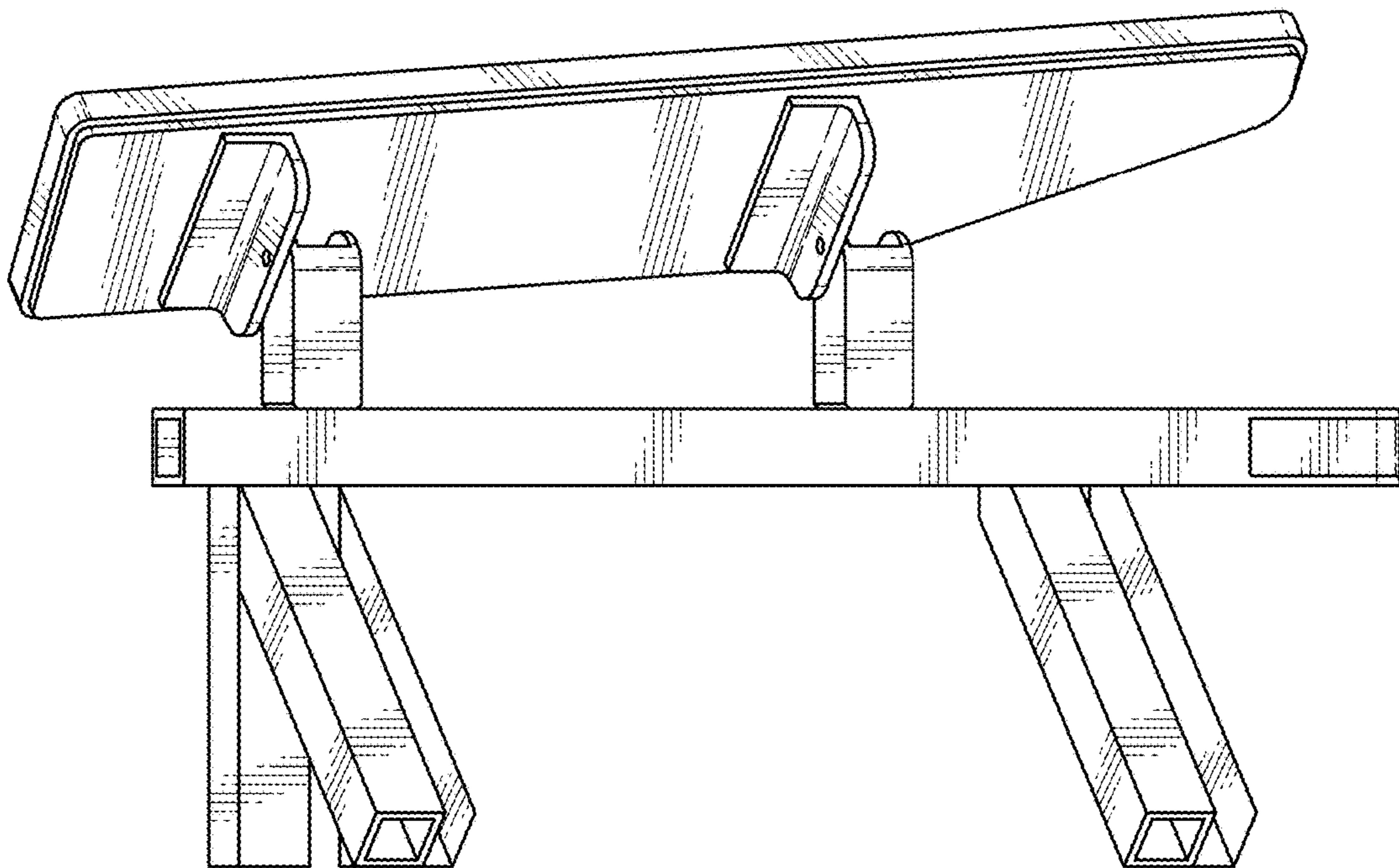


FIG. 5

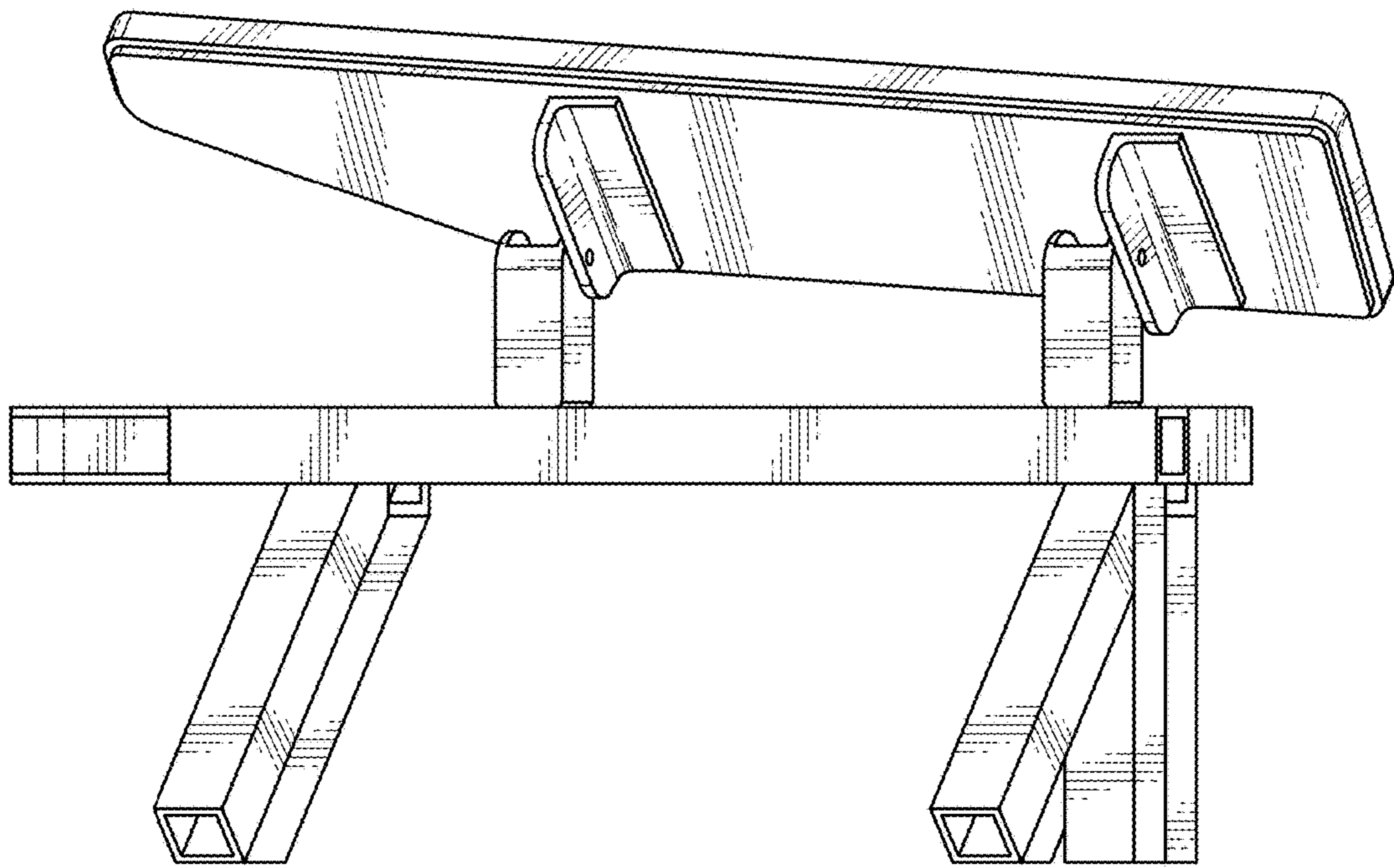


FIG. 6

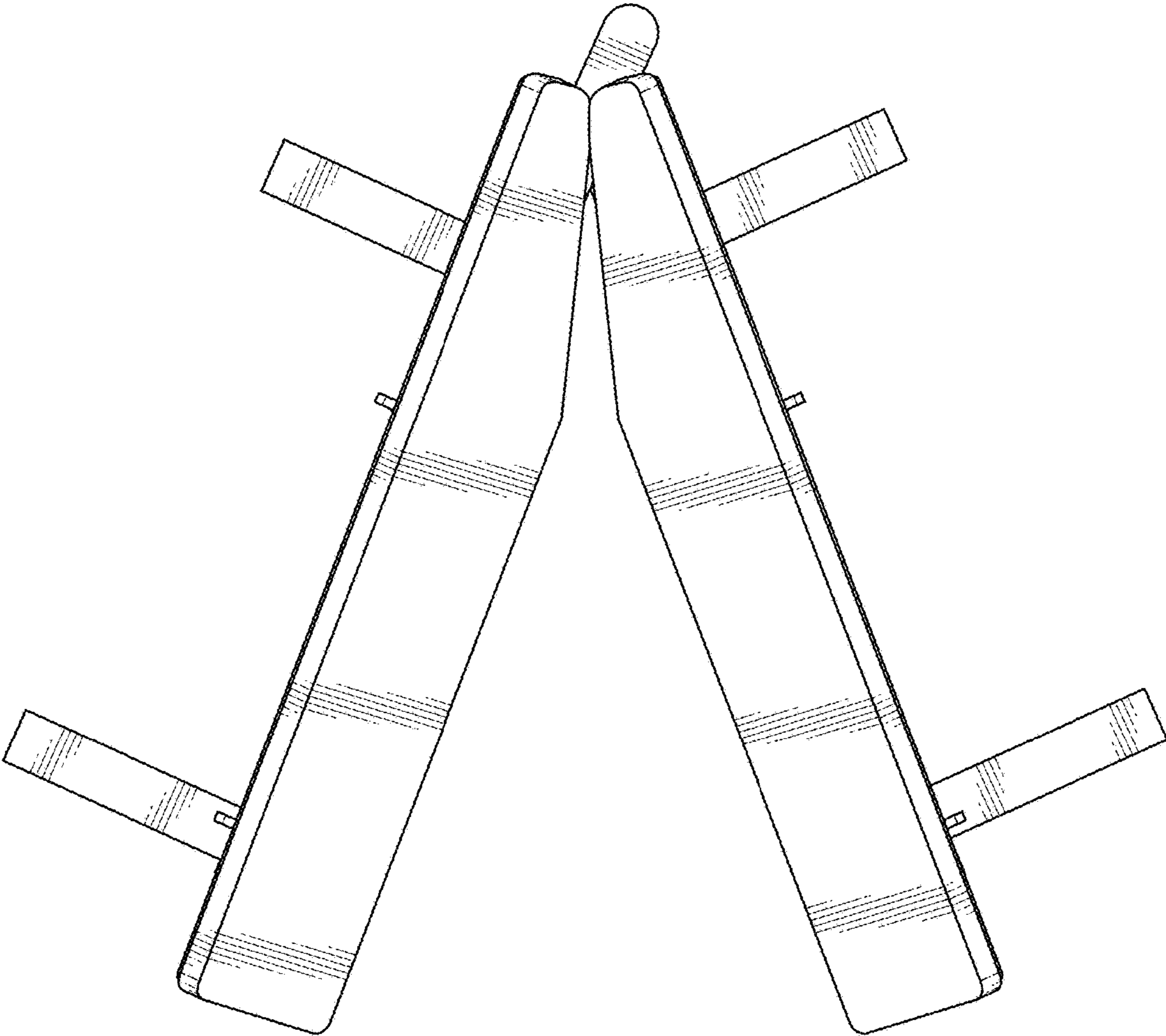


FIG. 7