



US00D815004S

(12) **United States Design Patent**
Smith

(10) **Patent No.:** **US D815,004 S**

(45) **Date of Patent:** **** *Apr. 10, 2018**

(54) **WHEEL**

(71) Applicant: **Jaguar Land Rover Limited**, Whitley,
Coventry (GB)

(72) Inventor: **Luke Smith**, Coventry (GB)

(73) Assignee: **Jaguar Land Rover Limited**, Whitley,
Coventry (GB)

(*) Notice: This patent is subject to a terminal disclaimer.

(**) Term: **15 Years**

(21) Appl. No.: **29/550,524**

(22) Filed: **Jan. 5, 2016**

(30) **Foreign Application Priority Data**

Jul. 15, 2015 (EM) 002737072

(51) **LOC (11) Cl.** **12-16**

(52) **U.S. Cl.**
USPC **D12/209**

(58) **Field of Classification Search**
USPC D12/204–213
CPC B60B 7/00; B60B 7/02; B60B 7/04; B60B
7/01; B60B 7/06; B60B 3/02; B60B 3/04;
B60B 3/06; B60B 3/10; B60B 1/00;
B60B 1/08; B60B 1/10; B60B 1/12
See application file for complete search history.

(56) **References Cited**

U.S. PATENT DOCUMENTS

D460,037 S * 7/2002 Takechi D12/211
D522,949 S * 6/2006 Elmitt D12/211

D645,391 S * 9/2011 Weil D12/209
D651,956 S * 1/2012 Ectors D12/209
D666,952 S * 9/2012 Pollmann D12/209
D697,007 S * 1/2014 Pollmann D12/209
D744,398 S * 12/2015 Nissl D12/209
D746,755 S * 1/2016 Mielke D12/211
D747,248 S * 1/2016 Amezketa D12/209
D748,033 S * 1/2016 Carter D12/211
D753,572 S * 4/2016 Juergens D12/211
D759,559 S * 6/2016 Mielke D12/209
D767,464 S * 9/2016 Juergens D12/209
D768,046 S * 10/2016 Patel D12/211

* cited by examiner

Primary Examiner — Sandra Snapp

(74) *Attorney, Agent, or Firm* — Wood Herron & Evans
LLP

(57) **CLAIM**

The ornamental design for a wheel, as shown and described.

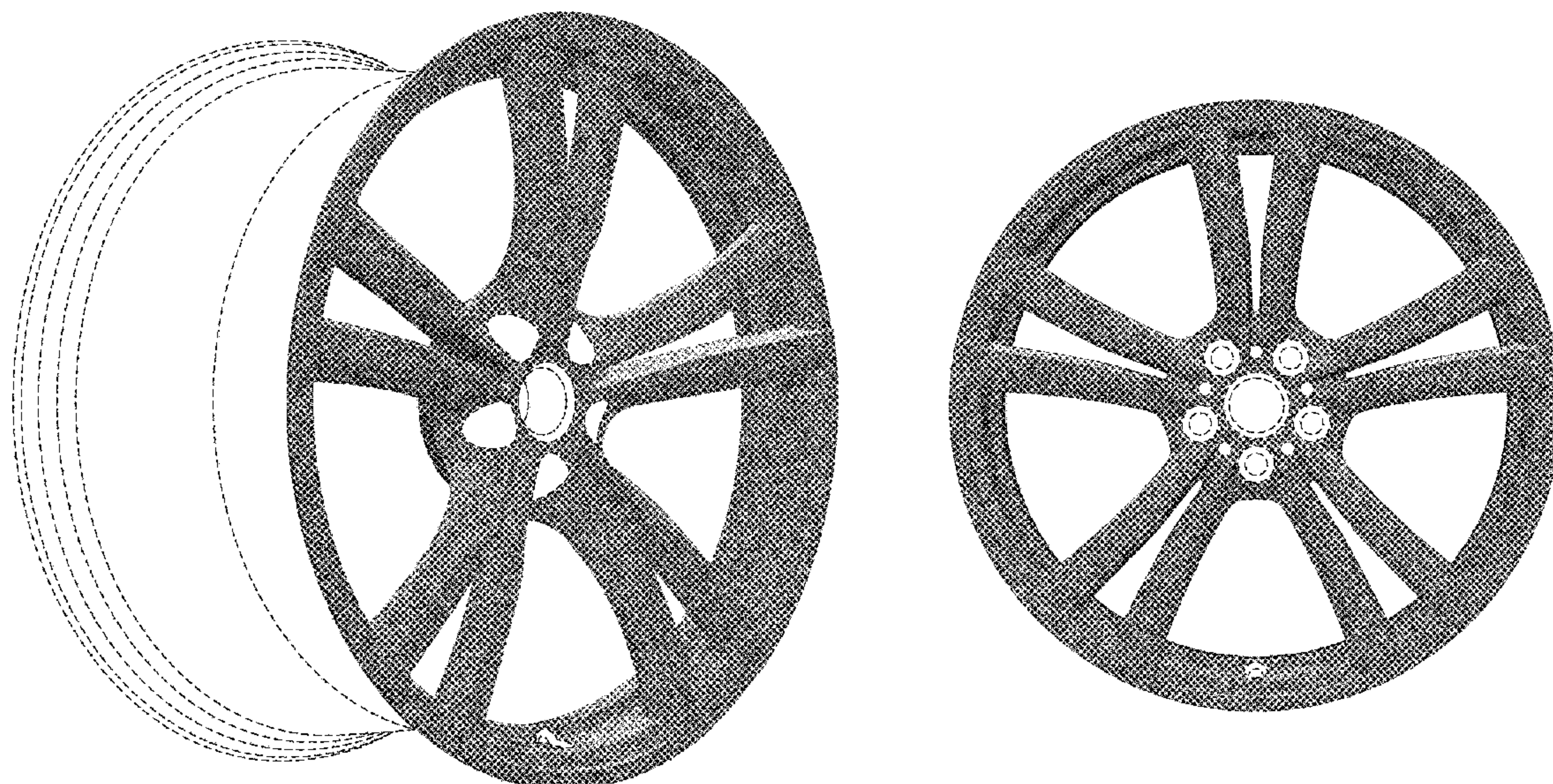
DESCRIPTION

FIG. 1 is a front left perspective view of a wheel according to the present invention.

FIG. 2 is a front view of the wheel shown in FIG. 1; and, FIG. 3 is a left side view thereof, with the right side view being a mirror image thereof.

The broken line showing of the rear of the rim, the valve stem hole, the bolt holes and the center hole in the central hub area is included for the purpose of illustrating environment and forms no part of the claimed design.

1 Claim, 2 Drawing Sheets



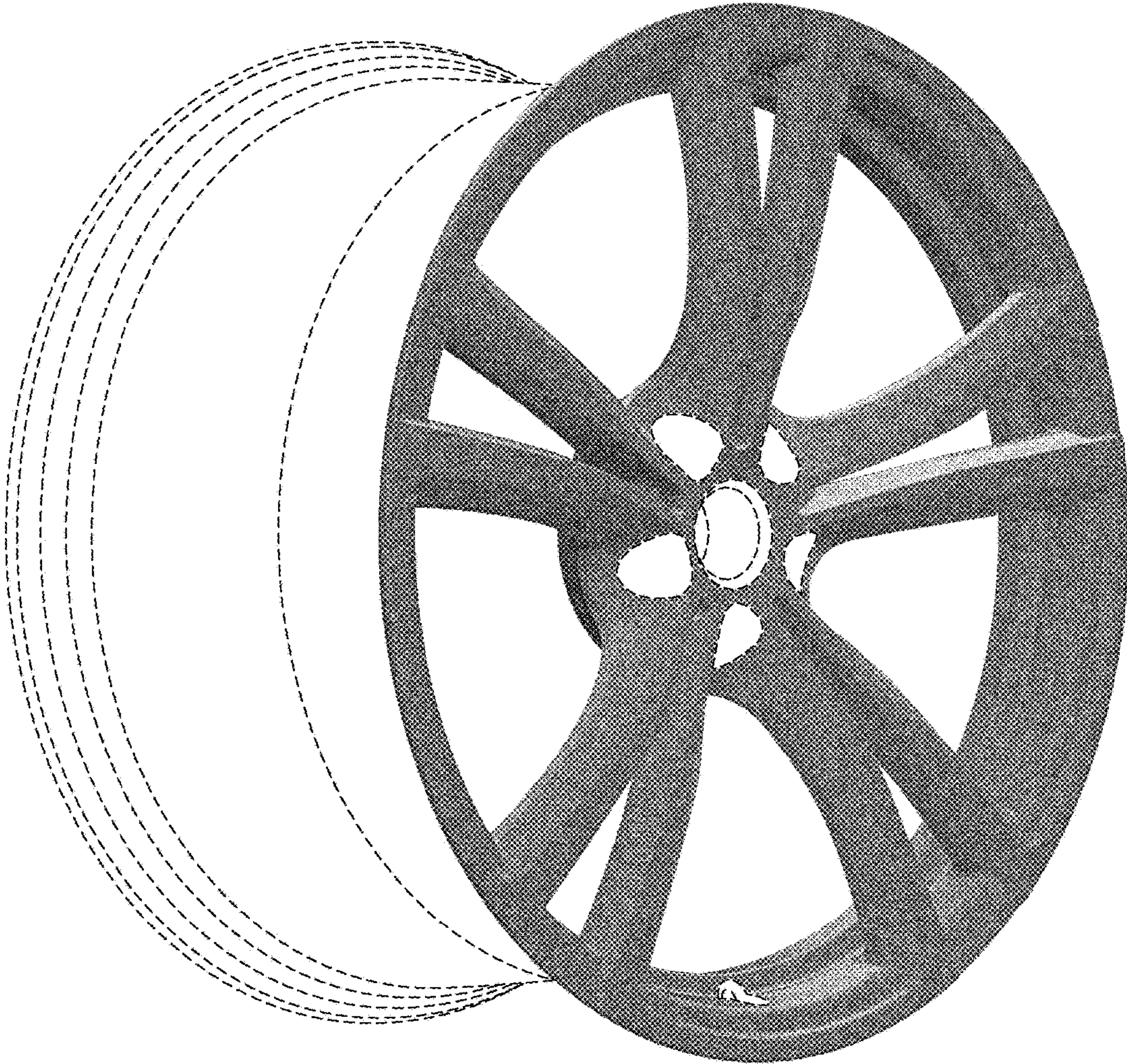


FIG. 1

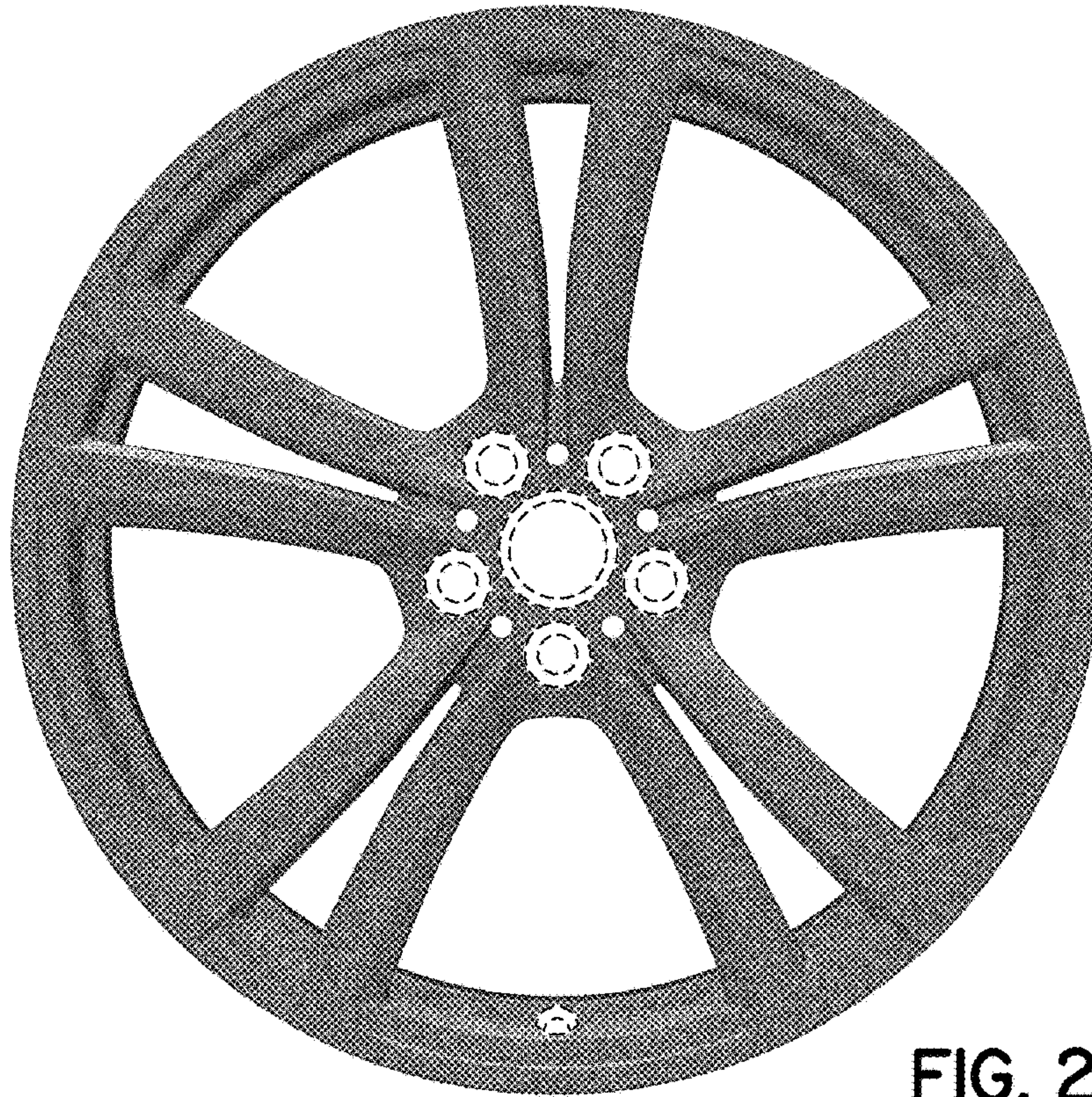


FIG. 2

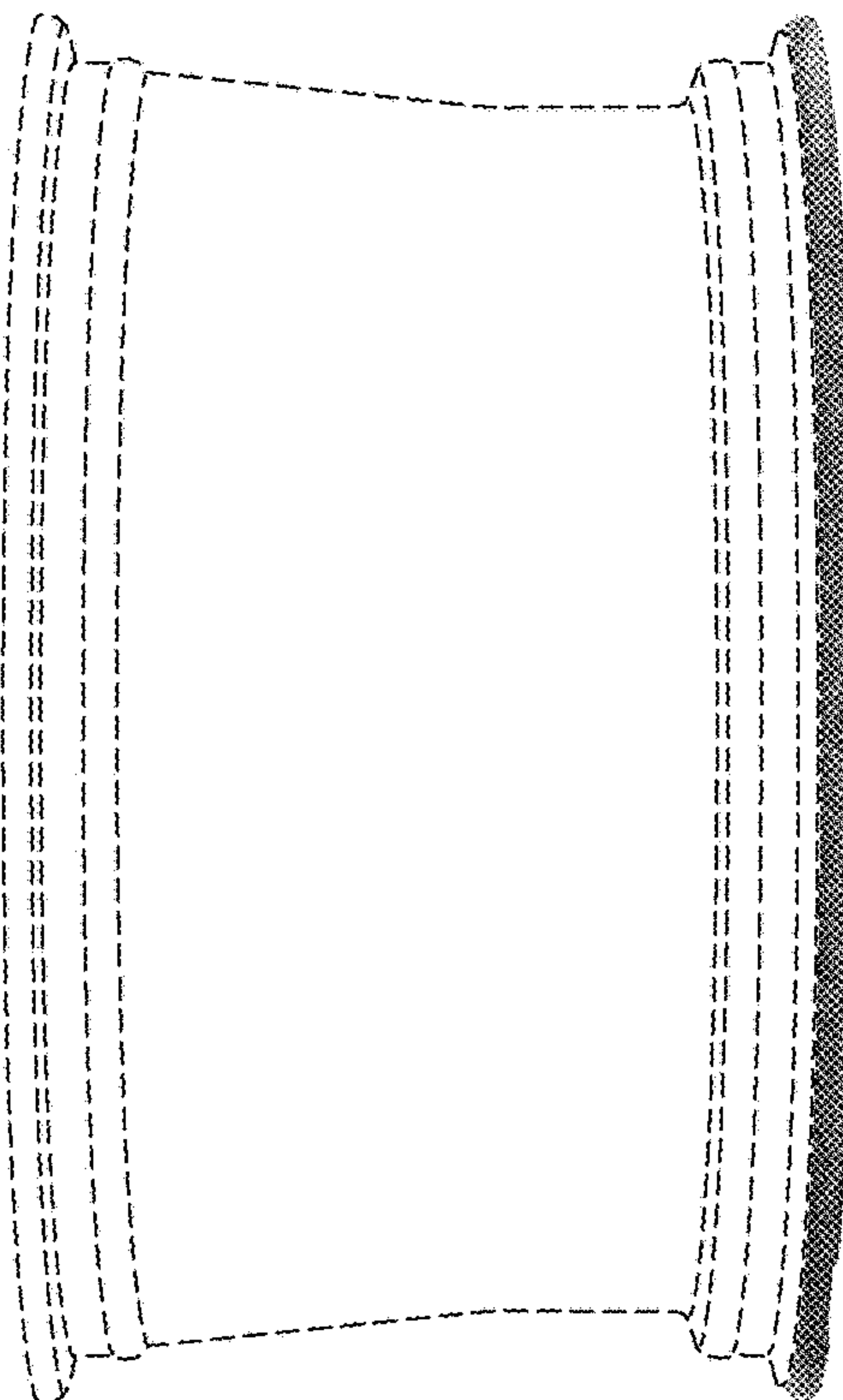


FIG. 3