



US00D815003S

(12) **United States Design Patent** (10) **Patent No.:** **US D815,003 S**  
**MacNeil et al.** (45) **Date of Patent:** **\*\* Apr. 10, 2018**

(54) **HITCH STEP** 7,967,311 B2 \* 6/2011 Phillips ..... B60R 3/007  
 280/163  
 (71) Applicant: **MacNeil IP LLC**, Bolingbrook, IL D695,665 S 12/2013 Masanek, Jr.  
 (US) 8,727,364 B2 5/2014 Masanek, Jr.  
 D714,703 S 10/2014 Masanek, Jr.  
 (72) Inventors: **David F. MacNeil**, Hinsdale, IL (US); 8,851,495 B1 \* 10/2014 Masanek, Jr. .... B60R 3/00  
**Frederick W. Masanek, Jr.**, 280/163  
 Barrington, IL (US) D739,801 S \* 9/2015 Bundy ..... D12/203  
 9,145,035 B2 9/2015 Masanek, Jr.  
 D744,382 S \* 12/2015 Woller ..... D12/162  
 (73) Assignee: **MACNEIL IP LLC**, Bolingbrook, IL 9,242,608 B2 1/2016 Masanek, Jr. et al.  
 (US) D788,669 S \* 6/2017 Guo ..... D12/203

(\*\*) Term: **15 Years**

(21) Appl. No.: **29/581,743**

(22) Filed: **Oct. 21, 2016**

(51) **LOC (11) Cl.** ..... **12-16**

(52) **U.S. Cl.**  
USPC ..... **D12/203**

(58) **Field of Classification Search**  
USPC ..... D12/203, 89, 98, 125, 162, 190, 196  
CPC .. B60R 3/002; B60R 3/02; B60R 3/00; B60R  
3/005; B60R 3/007  
See application file for complete search history.

(56) **References Cited**

**U.S. PATENT DOCUMENTS**

D292,388 S	*	10/1987	Weiler	.....	D12/203
D370,452 S	*	6/1996	Beasley	.....	D12/203
D440,931 S	*	4/2001	Knight, III	.....	D12/203
D463,345 S	*	9/2002	Cipolla	.....	D12/162
D511,319 S	*	11/2005	Wang	.....	D12/162
D513,217 S	*	12/2005	Daws	.....	D12/203
D532,354 S	*	11/2006	Storer	.....	D12/203
D549,623 S	*	8/2007	Gaddy	.....	D12/162
D595,630 S	*	7/2009	McPherson	.....	D12/203

\* cited by examiner

*Primary Examiner* — George D. Kirschbaum

*Assistant Examiner* — Clese Moore, Jr.

(74) *Attorney, Agent, or Firm* — Perkins IP Law Group  
LLC; Jefferson Perkins

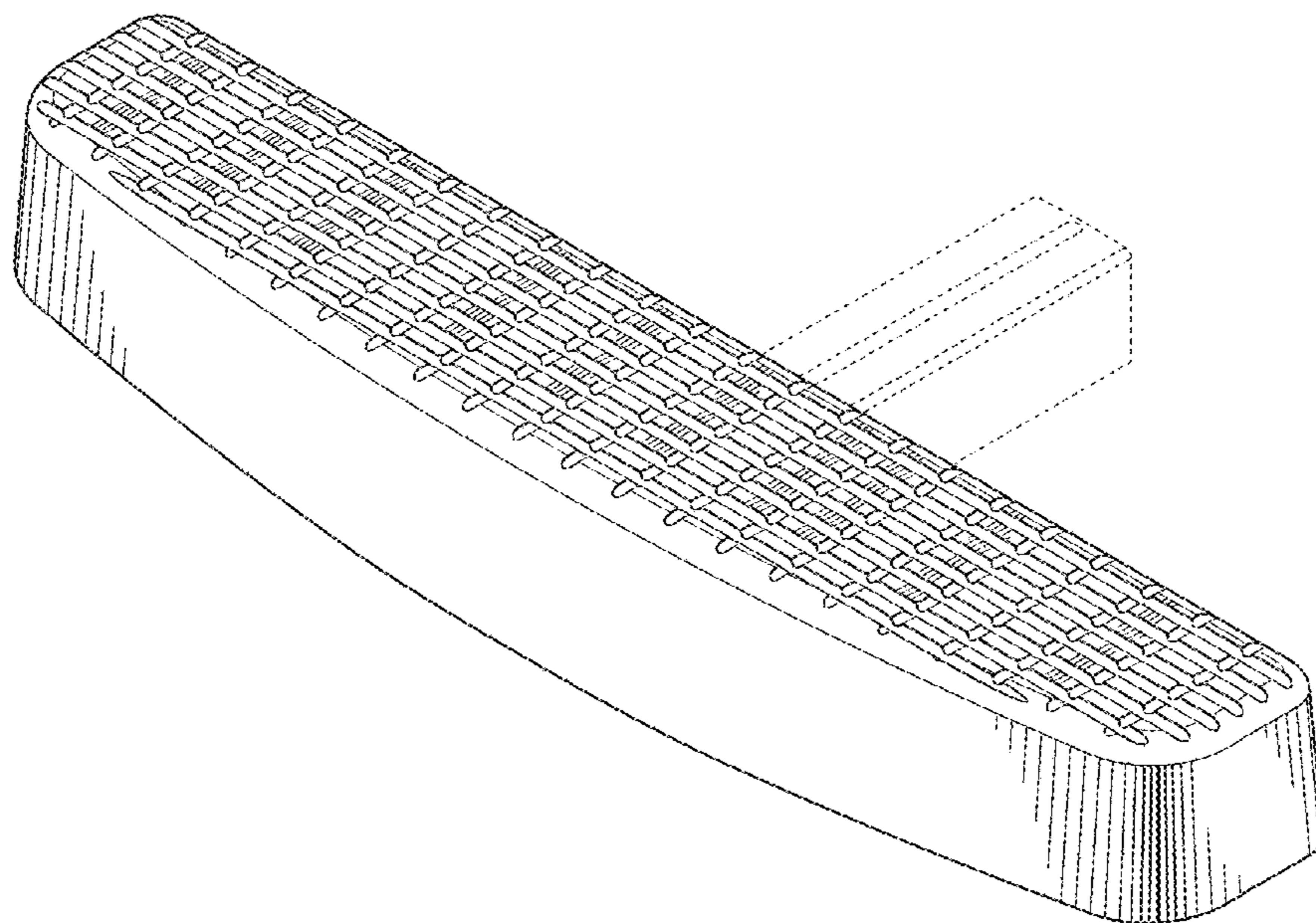
(57) **CLAIM**

An ornamental design for a hitch step, as shown and described.

**DESCRIPTION**

FIG. 1 is a top rear right perspective view of a hitch step according to our design;  
 FIG. 2 is a top front left perspective view of our design;  
 FIG. 3 is a rear view of our design;  
 FIG. 4 is a left view of our design;  
 FIG. 5 is a top view of our design; and,  
 FIG. 6 is a front view of our design.  
 The broken line showing of the environment is for illustrative purposes only and forms no part of the claimed design.  
 The bottom surface of the hitch step is unadorned and forms no portion of the claimed design.

**1 Claim, 4 Drawing Sheets**



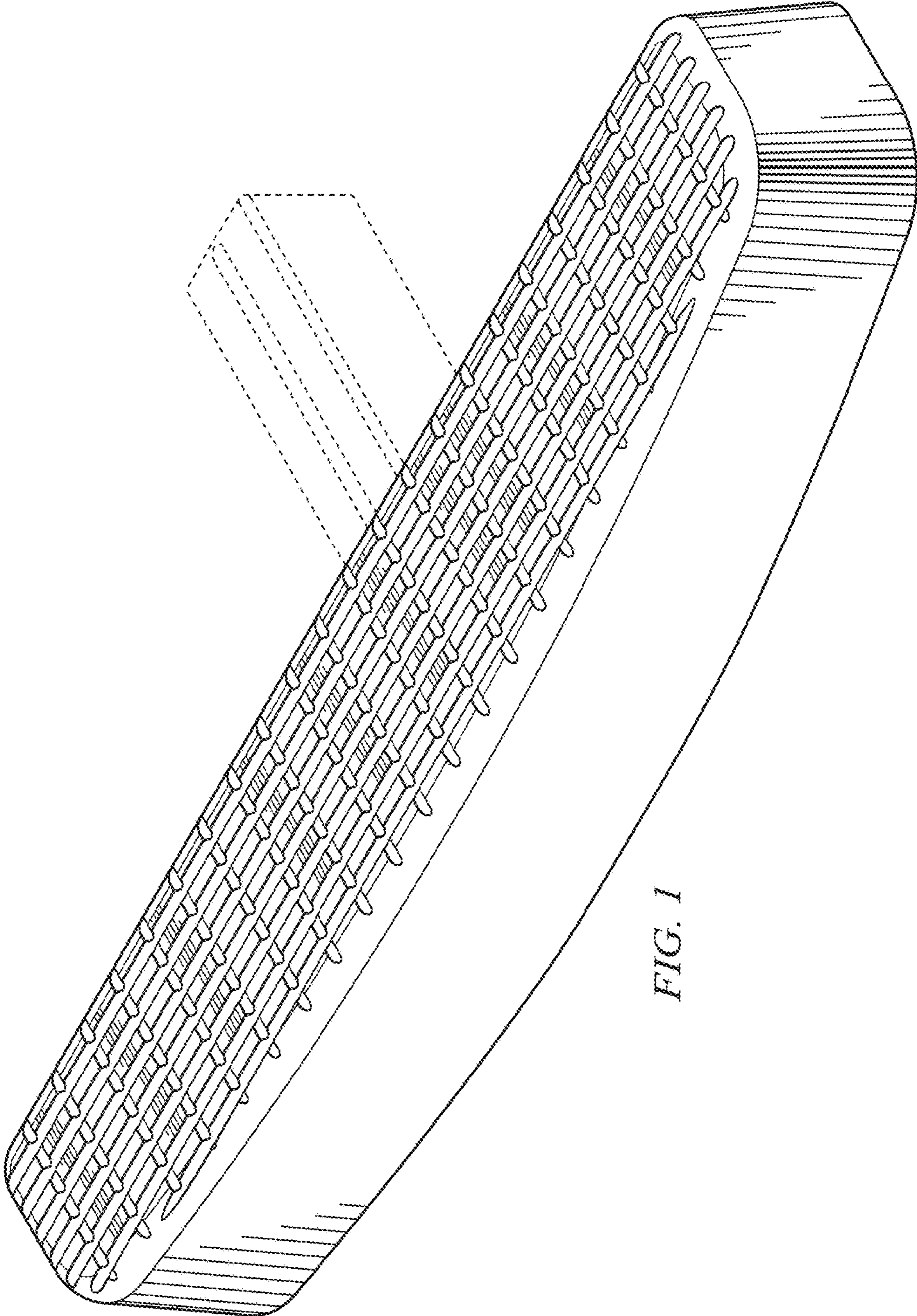
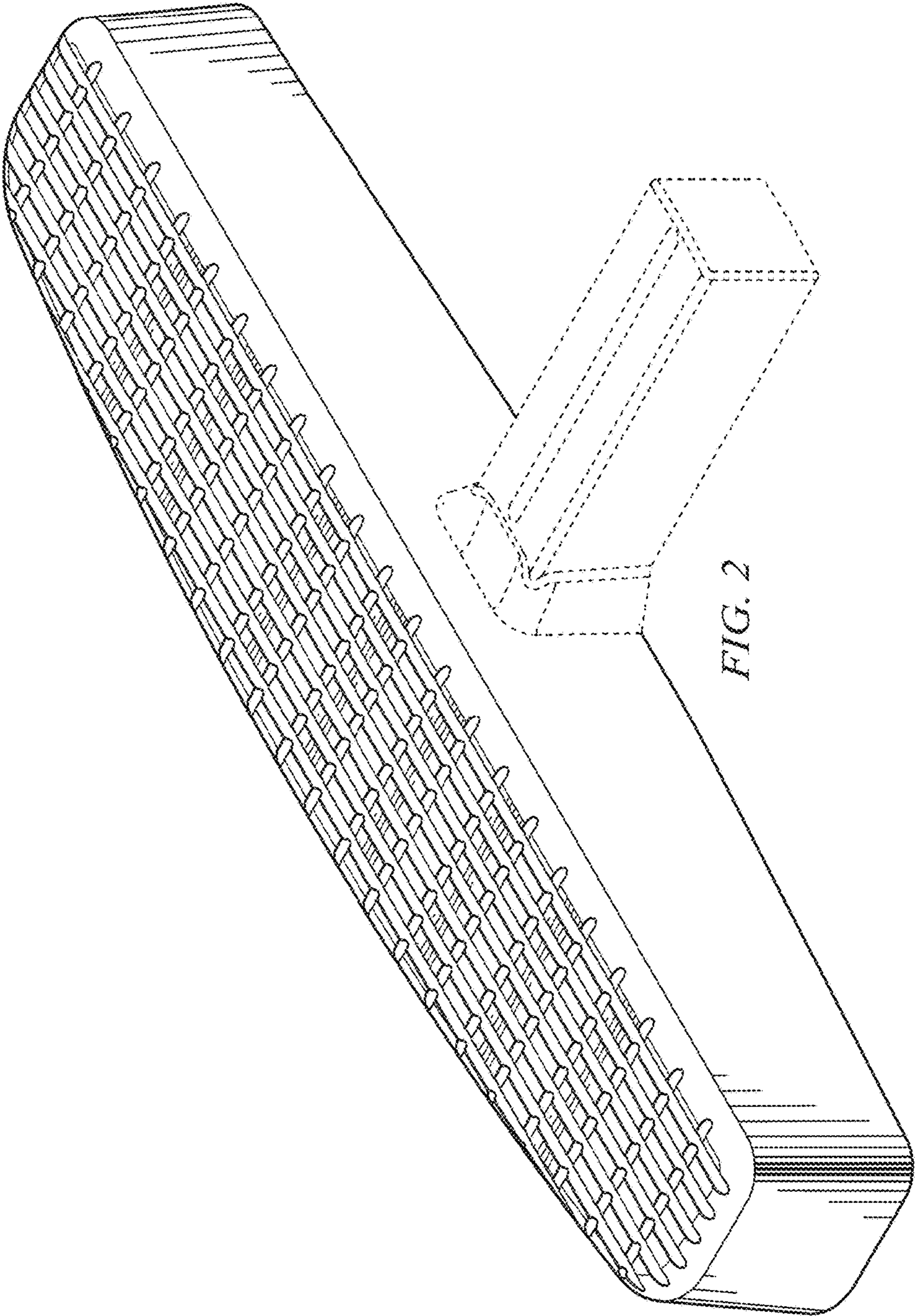


FIG. 1



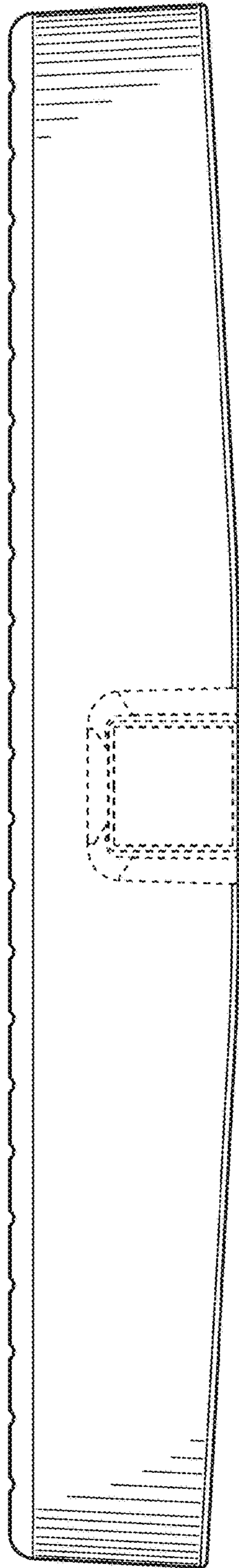


FIG. 3

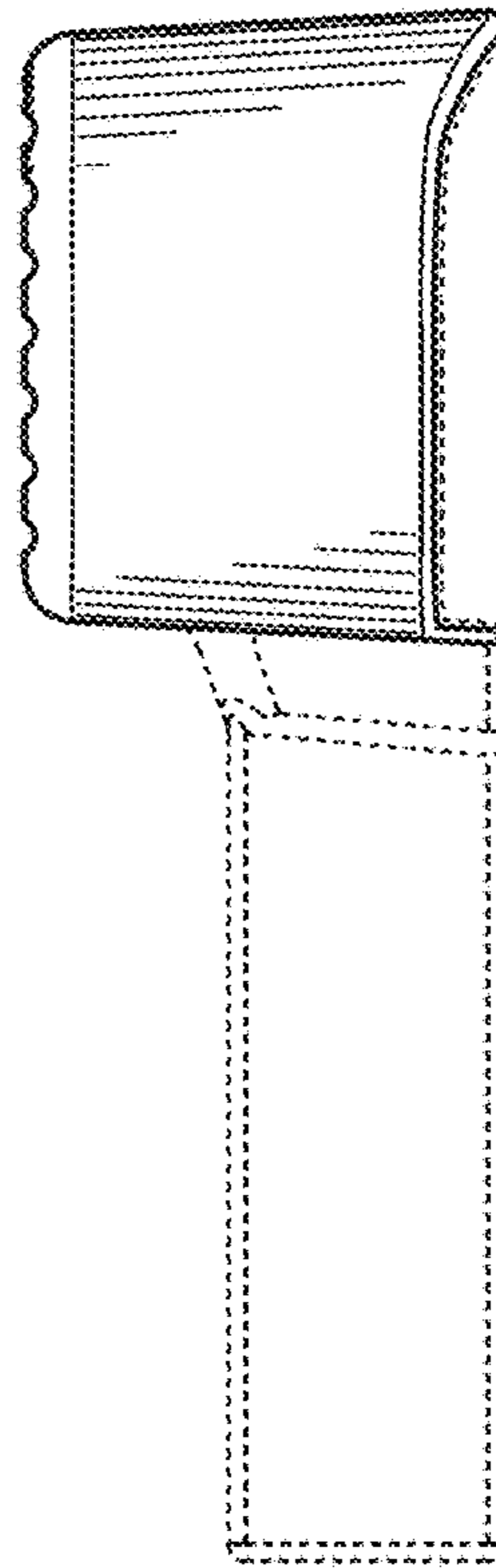


FIG. 4

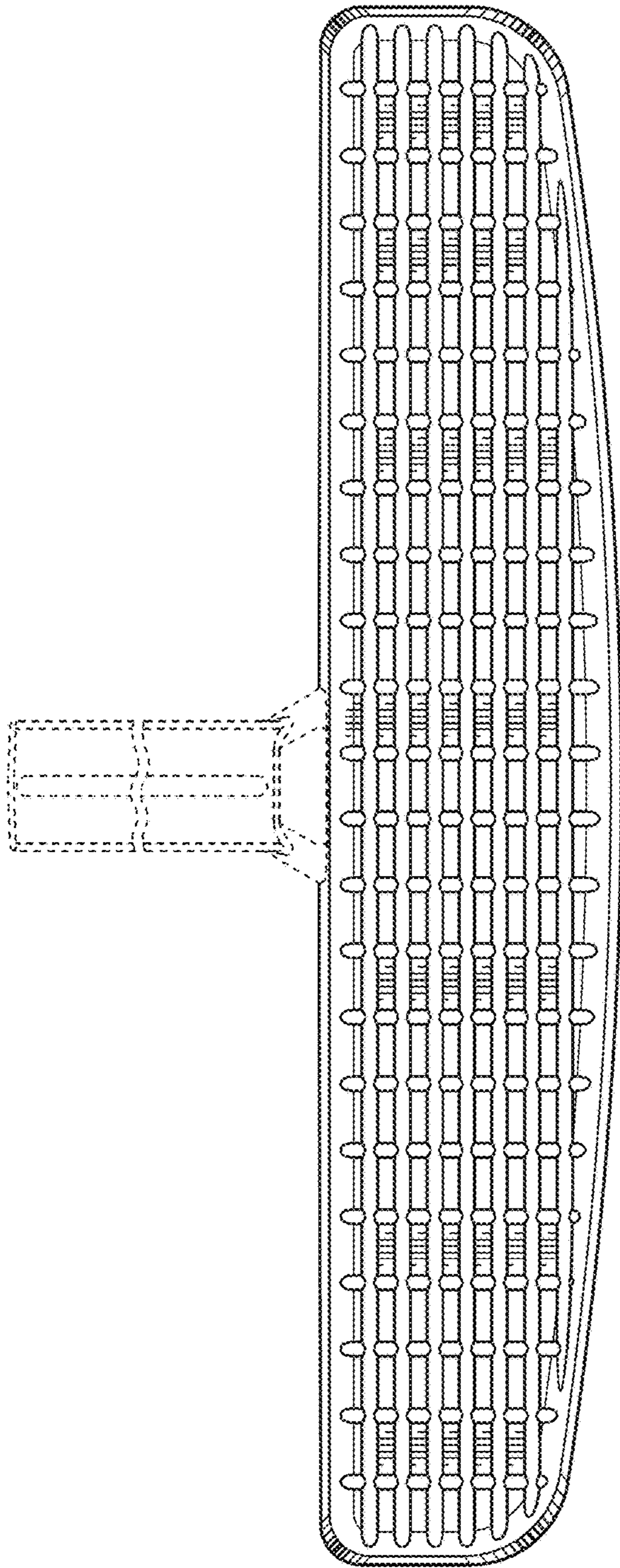


FIG. 5

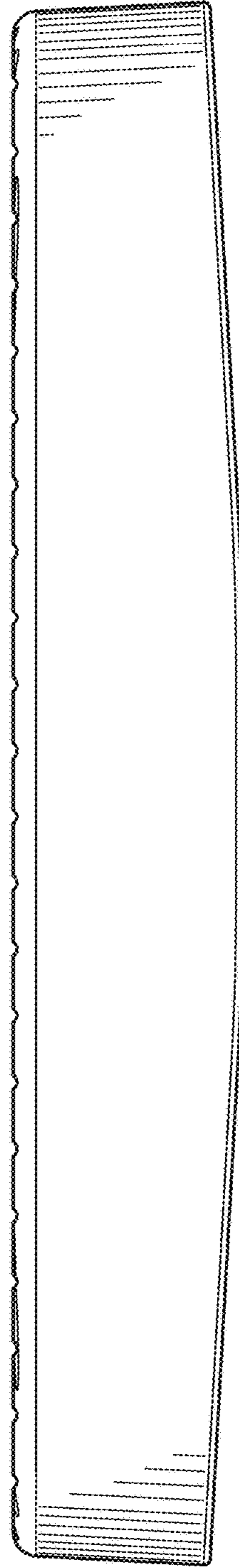


FIG. 6