



US00D815000S

(12) **United States Design Patent**
Igawa

(10) **Patent No.:** **US D815,000 S**
(45) **Date of Patent:** **** Apr. 10, 2018**

(54) **CALIPER FOR VEHICULAR DISC BRAKE**

(71) Applicant: **ADVICS CO., LTD.**, Kariya-shi,
Aichi-ken (JP)

(72) Inventor: **Osamu Igawa**, Toyota (JP)

(73) Assignee: **ADVICS CO., LTD.**, Kariya-Shi,
Aichi-Ken (JP)

(**) Term: **15 Years**

(21) Appl. No.: **29/592,354**

(22) Filed: **Jan. 30, 2017**

(30) **Foreign Application Priority Data**

Jul. 29, 2016 (JP) 2016-016380

(51) **LOC (11) Cl.** **12-16**

(52) **U.S. Cl.**
USPC **D12/180**

(58) **Field of Classification Search**
USPC D12/179, 180; 188/72.3, 73.31, 72.4,
188/73.46, 72.5, 18 A, 72.1, 73.39
CPC F16D 65/0068; F16D 65/18; F16D
2055/0016; F16D 55/226; F16D 65/183;
F16D 65/58
See application file for complete search history.

(56) **References Cited**

U.S. PATENT DOCUMENTS

D522,421 S * 6/2006 Crippa D12/180
D588,513 S * 3/2009 Crippa D12/180

D610,059 S * 2/2010 Azimonti D12/180
7,766,132 B2 * 8/2010 Veneziano F16D 55/22
188/73.39
9,212,713 B2 * 12/2015 Preda F16D 55/228
9,388,870 B2 * 7/2016 Cesani F16D 65/18
2010/0320038 A1 * 12/2010 Hayashi F16D 55/228
188/72.4
2016/0208872 A1 * 7/2016 Morio F16D 65/18

* cited by examiner

Primary Examiner — Cynthia Ramirez

Assistant Examiner — Gino Colan

(74) *Attorney, Agent, or Firm* — Buchanan Ingersoll &
Rooney PC

(57) **CLAIM**

The ornament design for a caliper for vehicular disc brake,
as shown and described.

DESCRIPTION

FIG. 1 is a front view showing a caliper for a vehicular disc
brake according to my new design;
FIG. 2 is a top plan view thereof;
FIG. 3 is a bottom plan view thereof;
FIG. 4 is a right side elevation view thereof
FIG. 5 is a left side elevation view thereof;
FIG. 6 is a front perspective view thereof;
FIG. 7 is another front perspective view thereof;
FIG. 8 is a rear perspective view thereof; and,
FIG. 9 is another rear perspective view thereof.

1 Claim, 9 Drawing Sheets

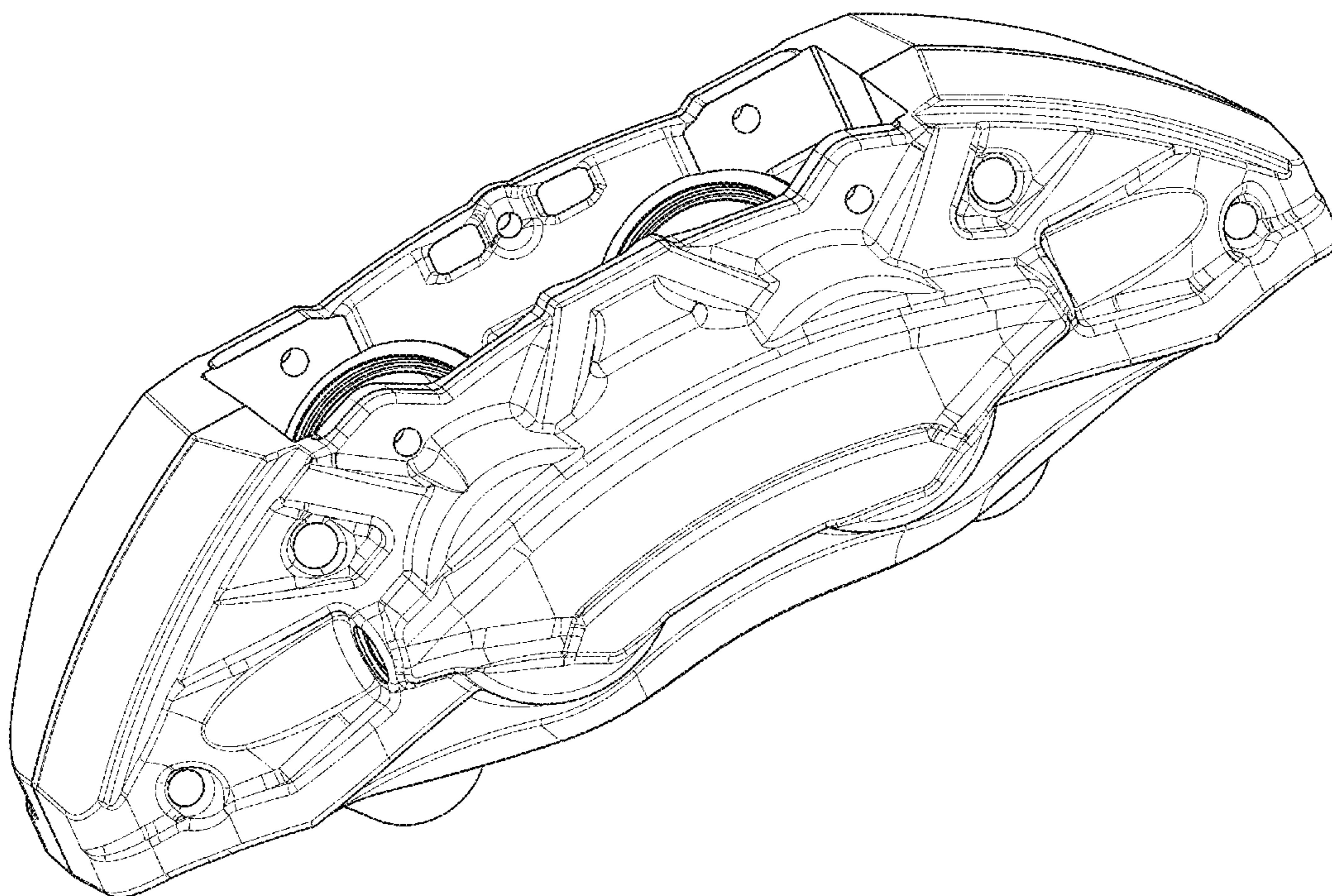


Figure 1

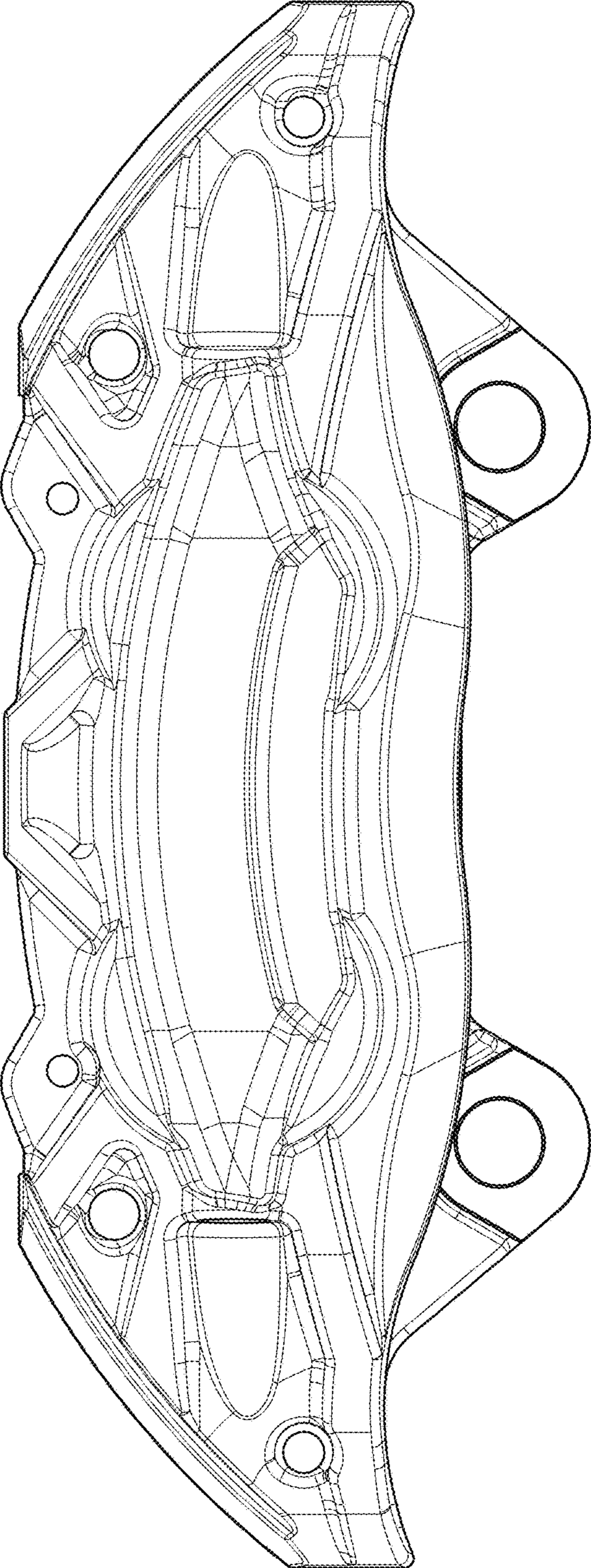


Figure 2

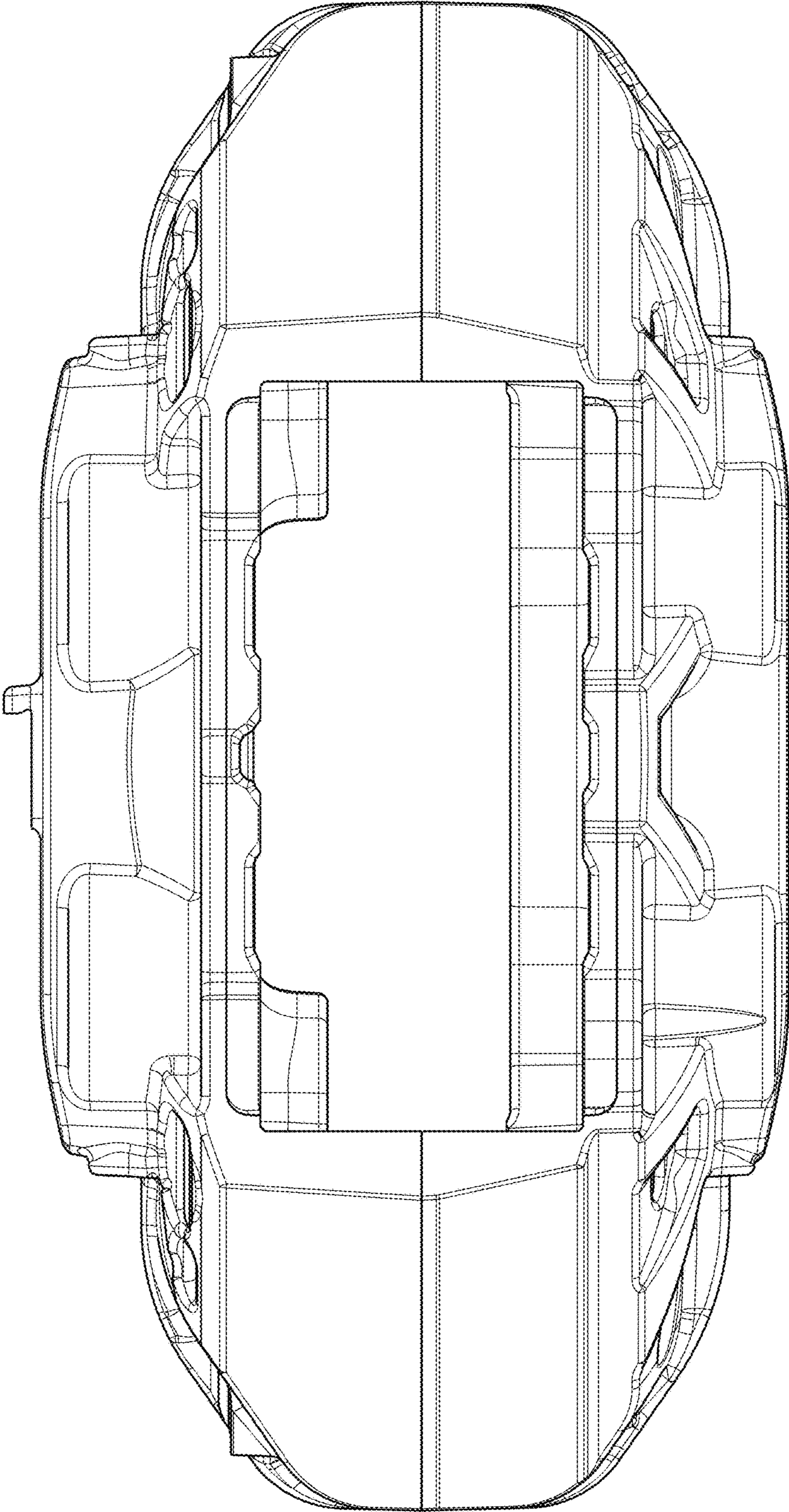


Figure 3

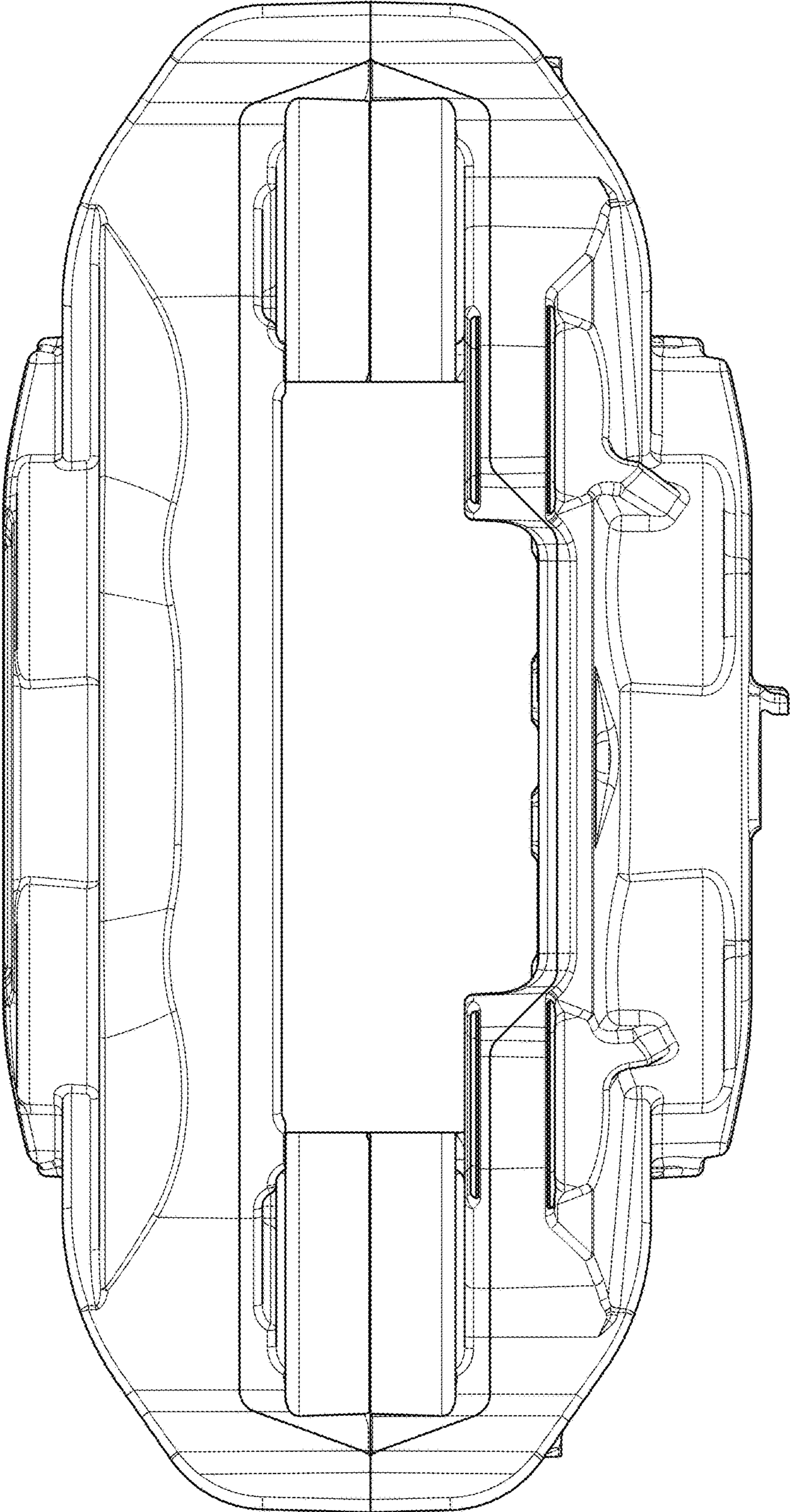


Figure 4

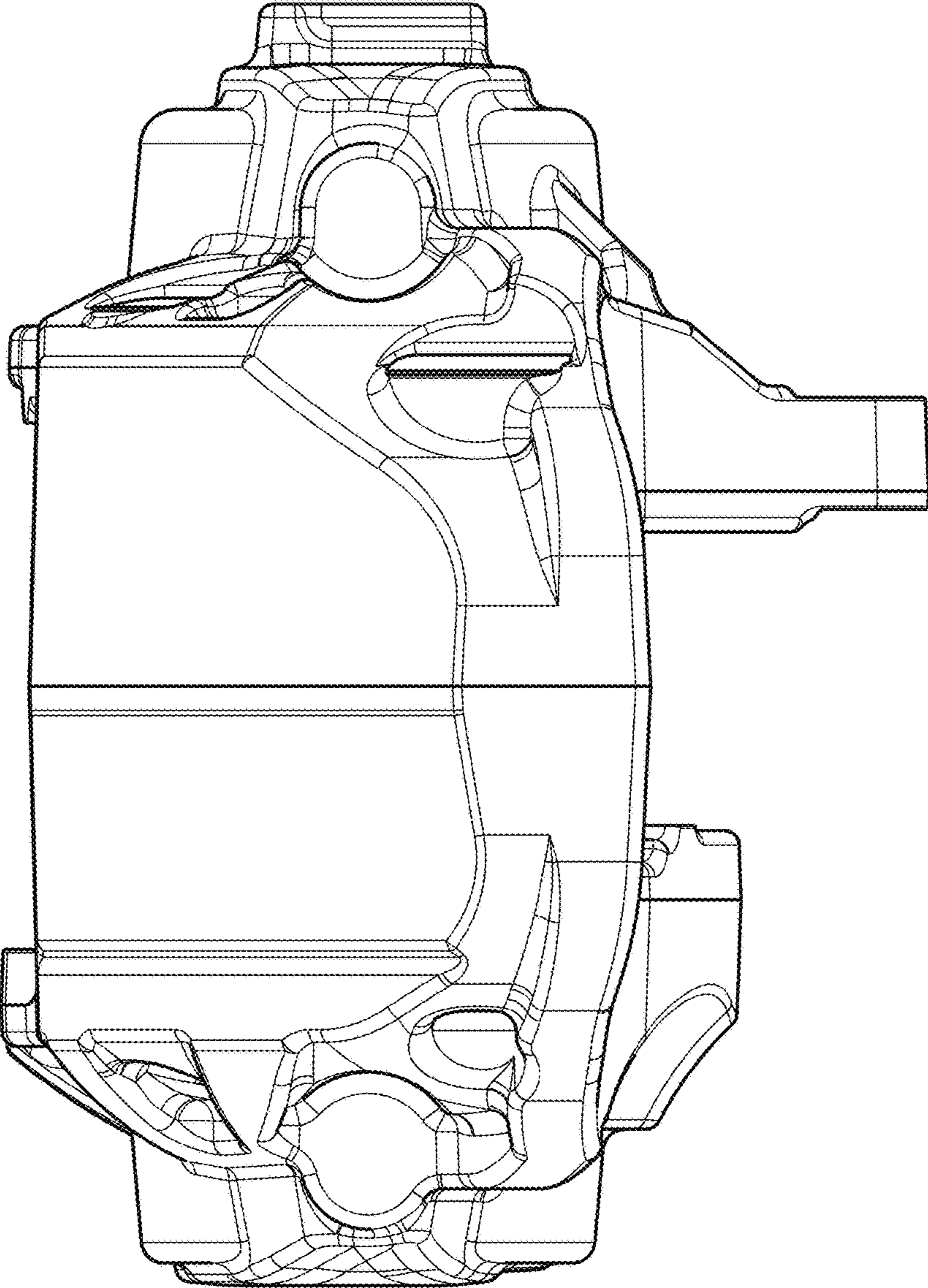


Figure 5

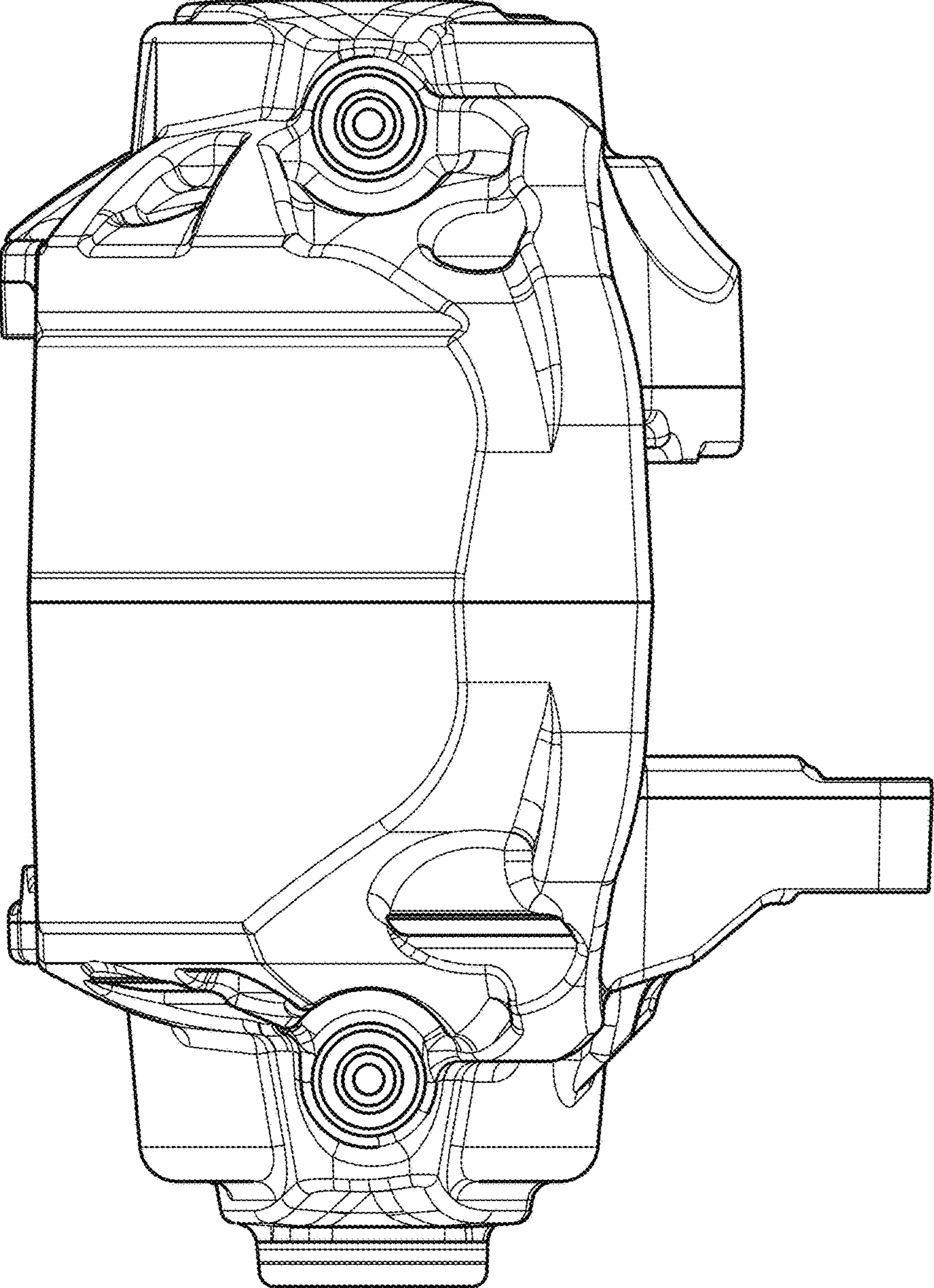
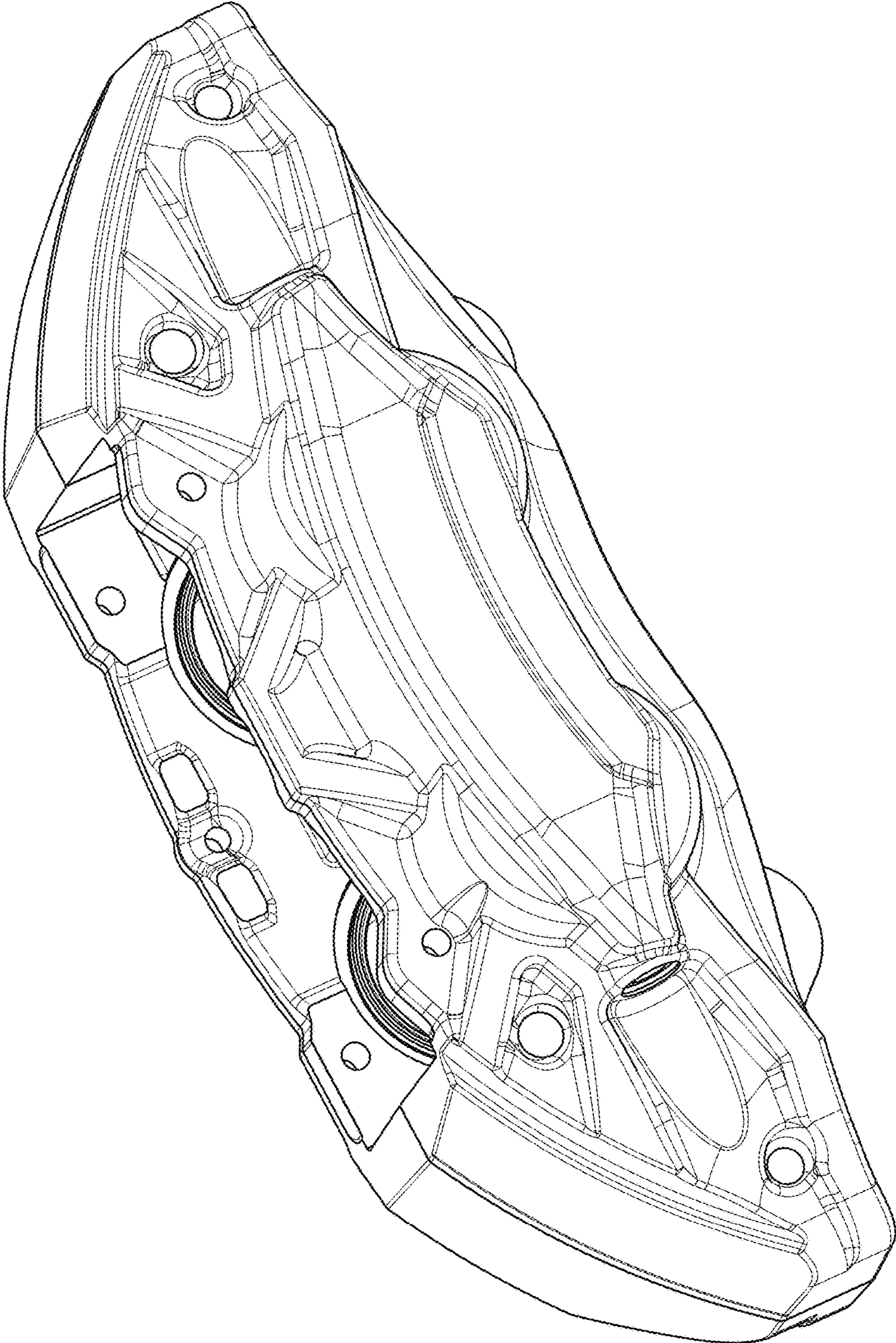
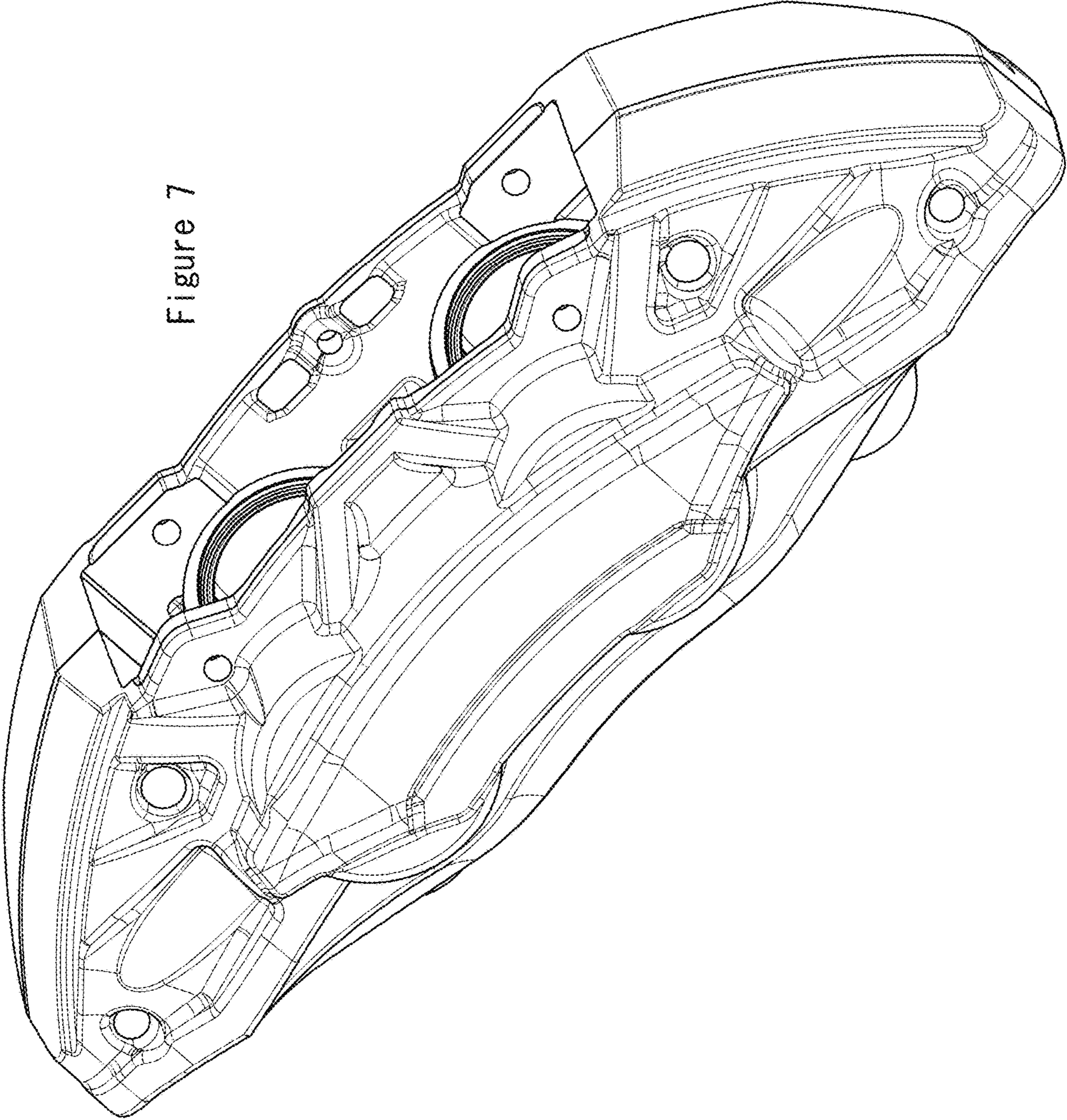


Figure 6





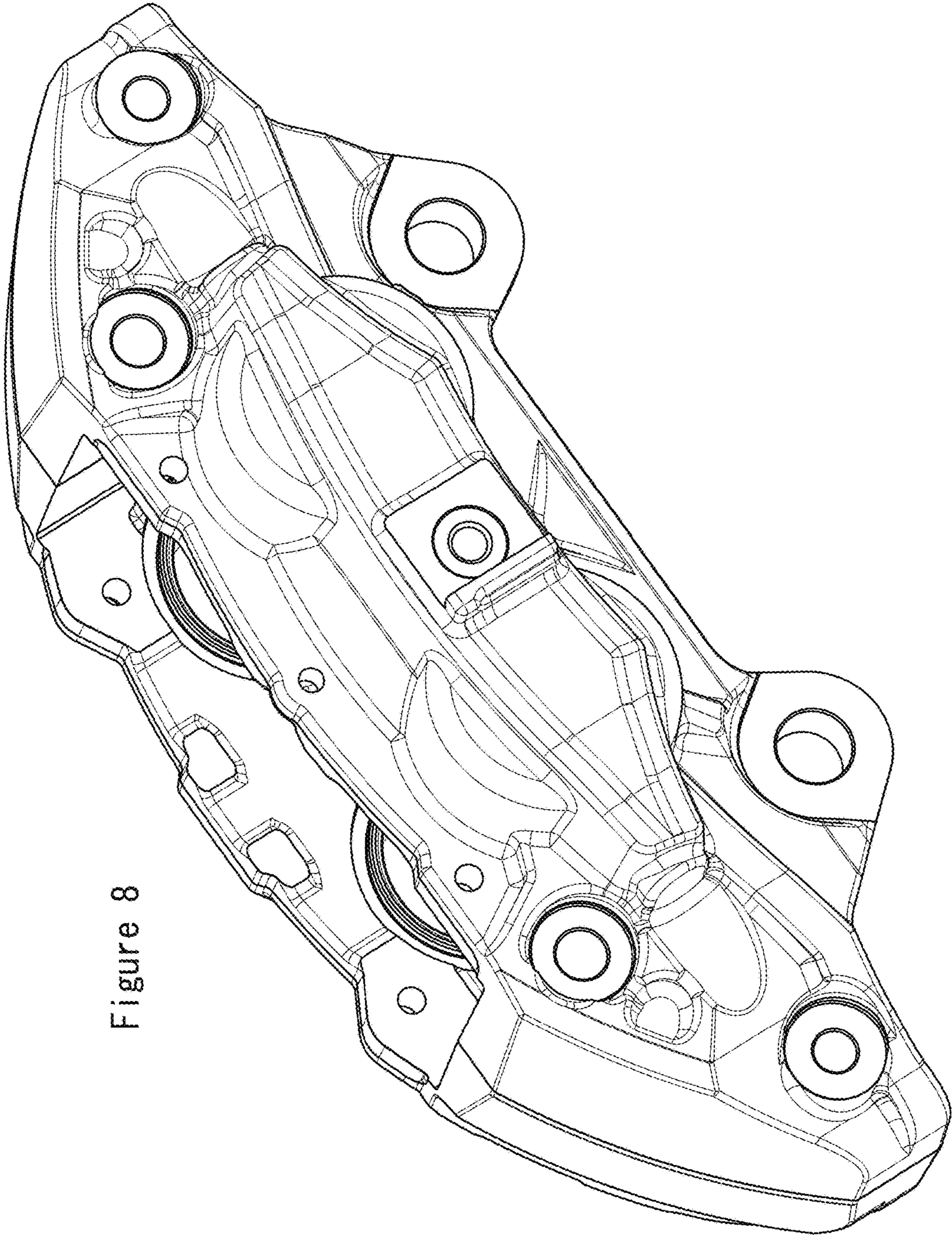


Figure 8

Figure 9

