



US00D814994S

(12) **United States Design Patent**
Varga

(10) **Patent No.:** **US D814,994 S**
(45) **Date of Patent:** **** Apr. 10, 2018**

(54) **REAR BUMPER FOR MOTOR VEHICLE**

(71) Applicant: **Dr. Ing. h.c. F. Porsche**
Aktiengesellschaft, Stuttgart (DE)

(72) Inventor: **Peter Varga, Pforzheim (DE)**

(73) Assignee: **Dr. Ing. h.c. F. Porsche**
Aktiengesellschaft, Stuttgart (DE)

(**) Term: **15 Years**

(21) Appl. No.: **29/592,196**

(22) Filed: **Jan. 27, 2017**

(30) **Foreign Application Priority Data**

Jul. 28, 2016 (DE) 40 2016 100 943

(51) **LOC (11) Cl.** **12-16**

(52) **U.S. Cl.**
USPC **D12/169**

(58) **Field of Classification Search**
USPC D12/169, 216, 90-92, 86, 171, 196, 163;
293/102, 113, 115, 117, 120; 296/180.1,
296/180.2

CPC B60R 19/02; B60R 19/04; B62D 25/08
See application file for complete search history.

(56) **References Cited**

U.S. PATENT DOCUMENTS

D598,829 S * 8/2009 Mattin D12/169
D600,604 S * 9/2009 Lamm D12/169
D600,605 S * 9/2009 Lamm D12/169
D619,513 S * 7/2010 Miyazawa D12/169
D678,147 S * 3/2013 Behmer D12/169
D678,826 S * 3/2013 Akamine D12/169

D685,302 S * 7/2013 Futschik D12/169
D688,993 S * 9/2013 Campbell D12/169
D688,994 S * 9/2013 Campbell D12/169
D692,809 S * 11/2013 Uchino D12/169
D695,162 S 12/2013 Scheinhutte
D701,805 S * 4/2014 Campbell D12/169
D702,158 S 4/2014 Borkert
D703,591 S * 4/2014 Kwon D12/169
D705,139 S * 5/2014 Jevremovic D12/169
D712,802 S 9/2014 Scheinhütte
D713,766 S * 9/2014 Katou D12/169
D721,625 S * 1/2015 George D12/169
D721,993 S * 2/2015 Nordmann D12/169
D746,739 S * 1/2016 Wolff D12/169
D766,786 S 9/2016 Varga
D792,294 S * 7/2017 McCabe D12/169
D795,141 S * 8/2017 Ikeda D12/169
D807,801 S * 1/2018 Piscitelli D12/169

* cited by examiner

Primary Examiner — Melody N Brown

(74) *Attorney, Agent, or Firm* — RatnerPrestia

(57) **CLAIM**

The ornamental design for a rear bumper for a motor vehicle, as shown and described.

DESCRIPTION

FIG. 1 is a left perspective view of a rear bumper for a motor vehicle;

FIG. 2 is a right perspective view thereof;

FIG. 3 is a rear elevation view thereof;

FIG. 4 is a front elevation view thereof;

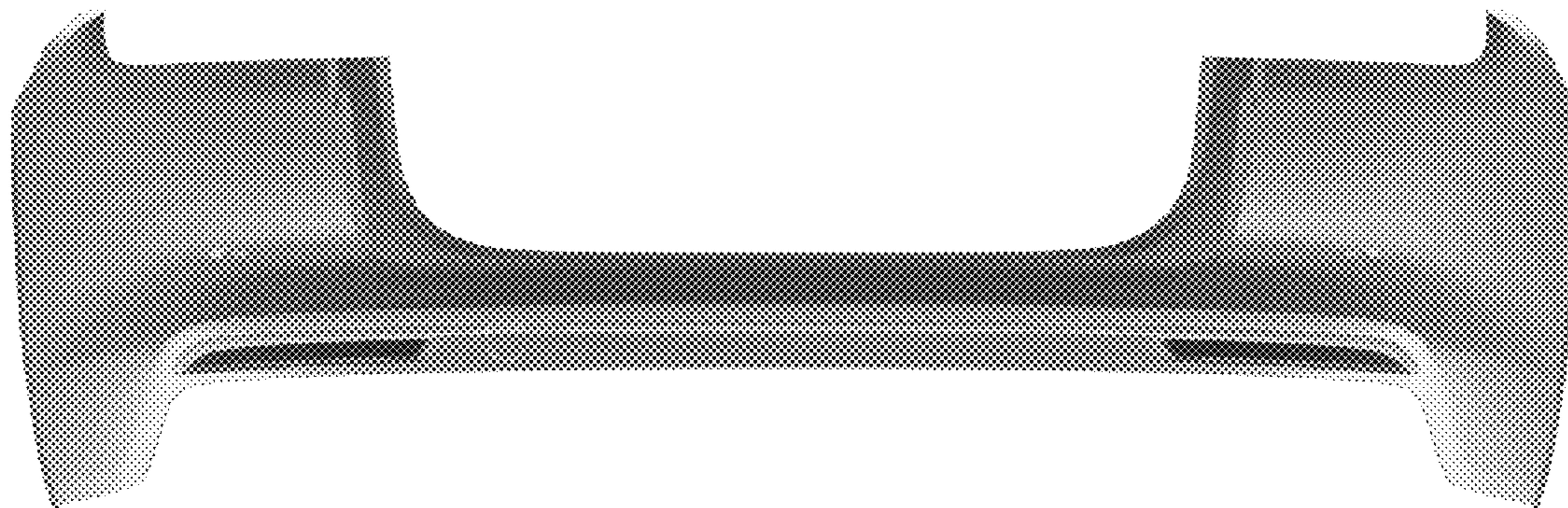
FIG. 5 is a left elevation view thereof;

FIG. 6 is a right elevation view thereof;

FIG. 7 is a top plan view thereof; and,

FIG. 8 is a bottom plan view thereof.

1 Claim, 4 Drawing Sheets



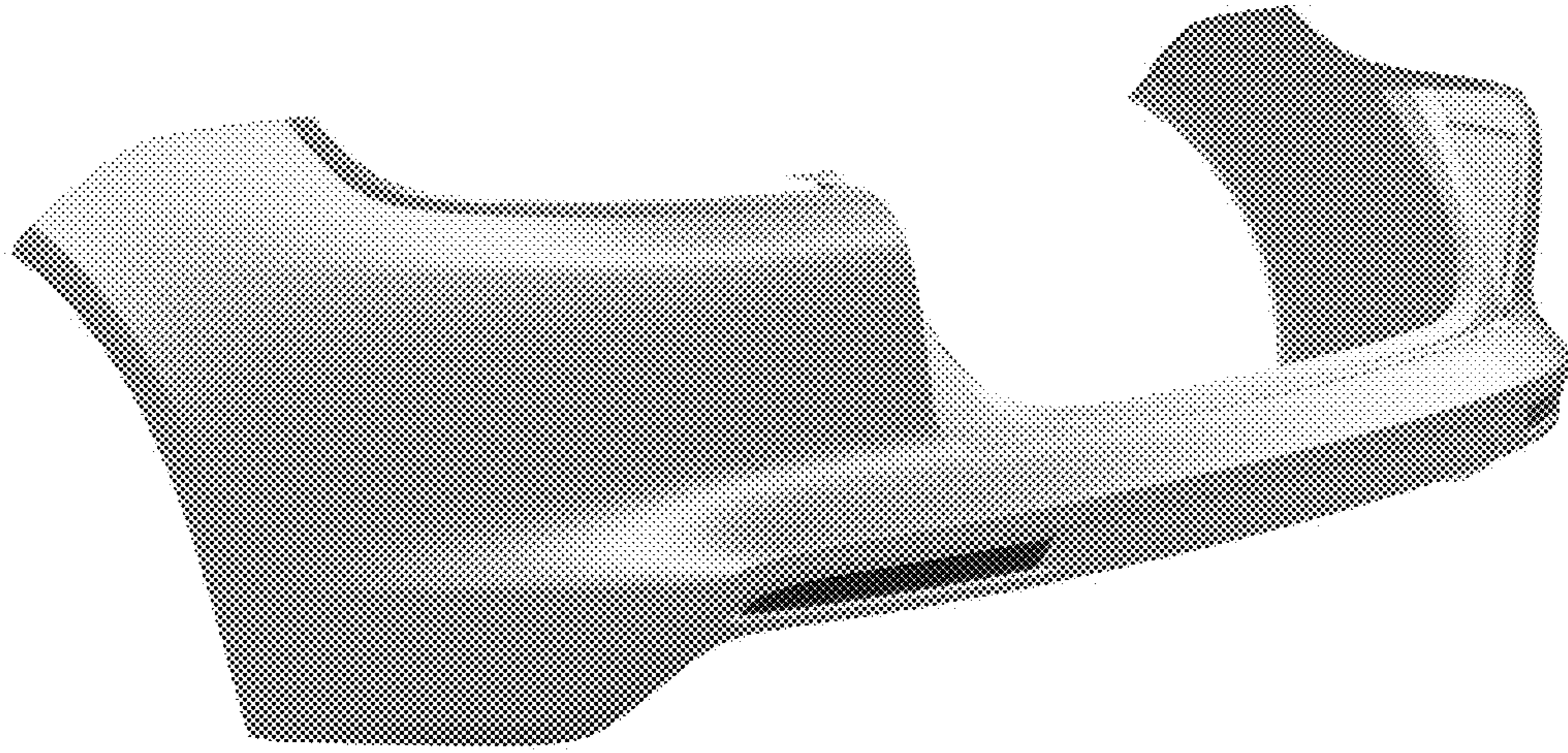


Figure 1

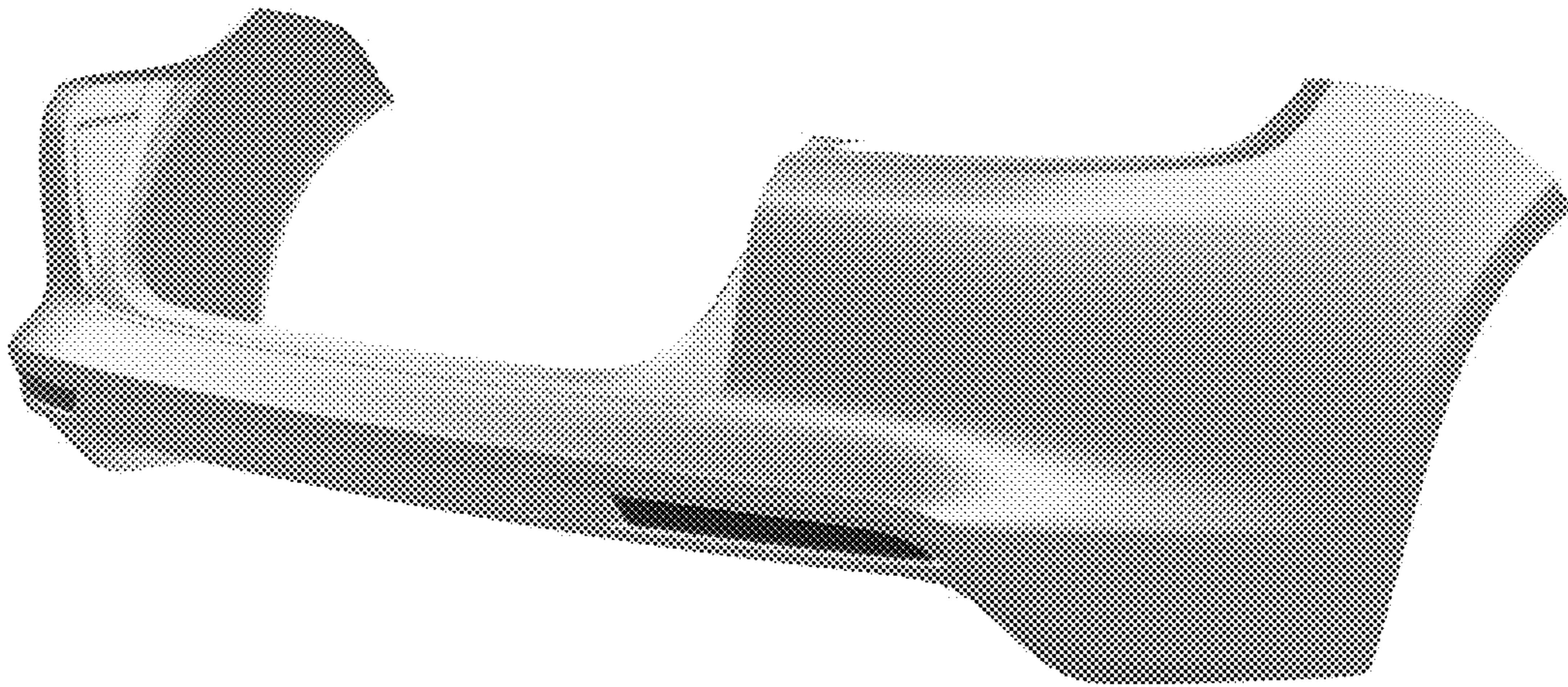


Figure 2

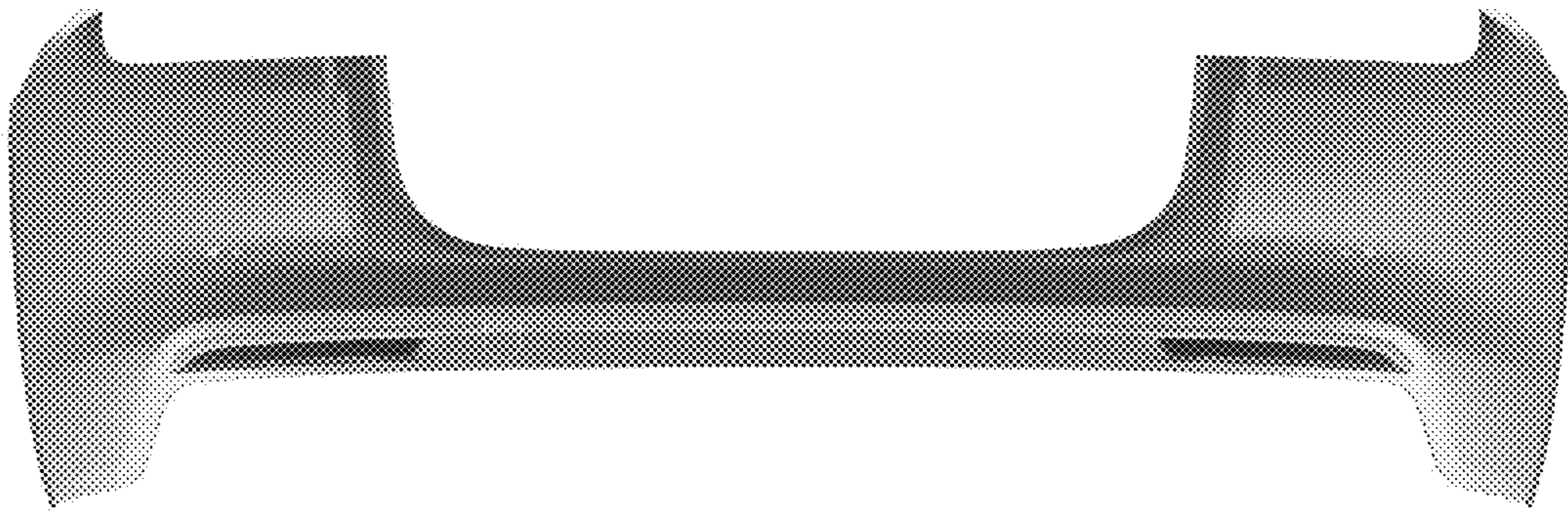


Figure 3

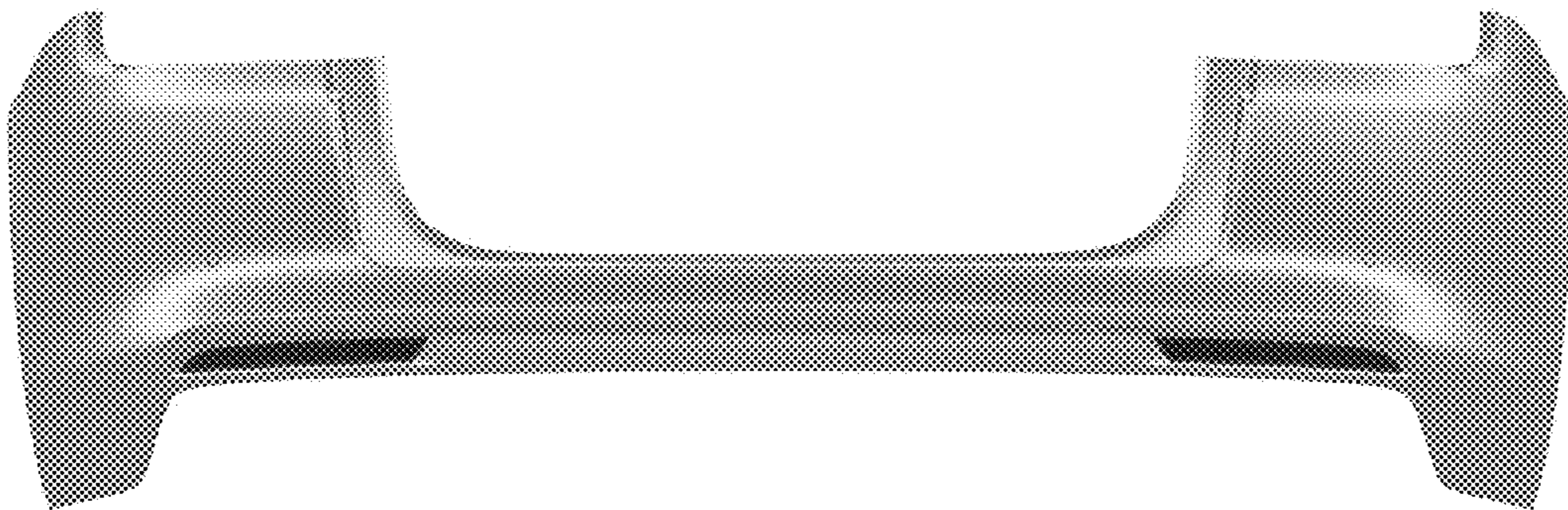


Figure 4

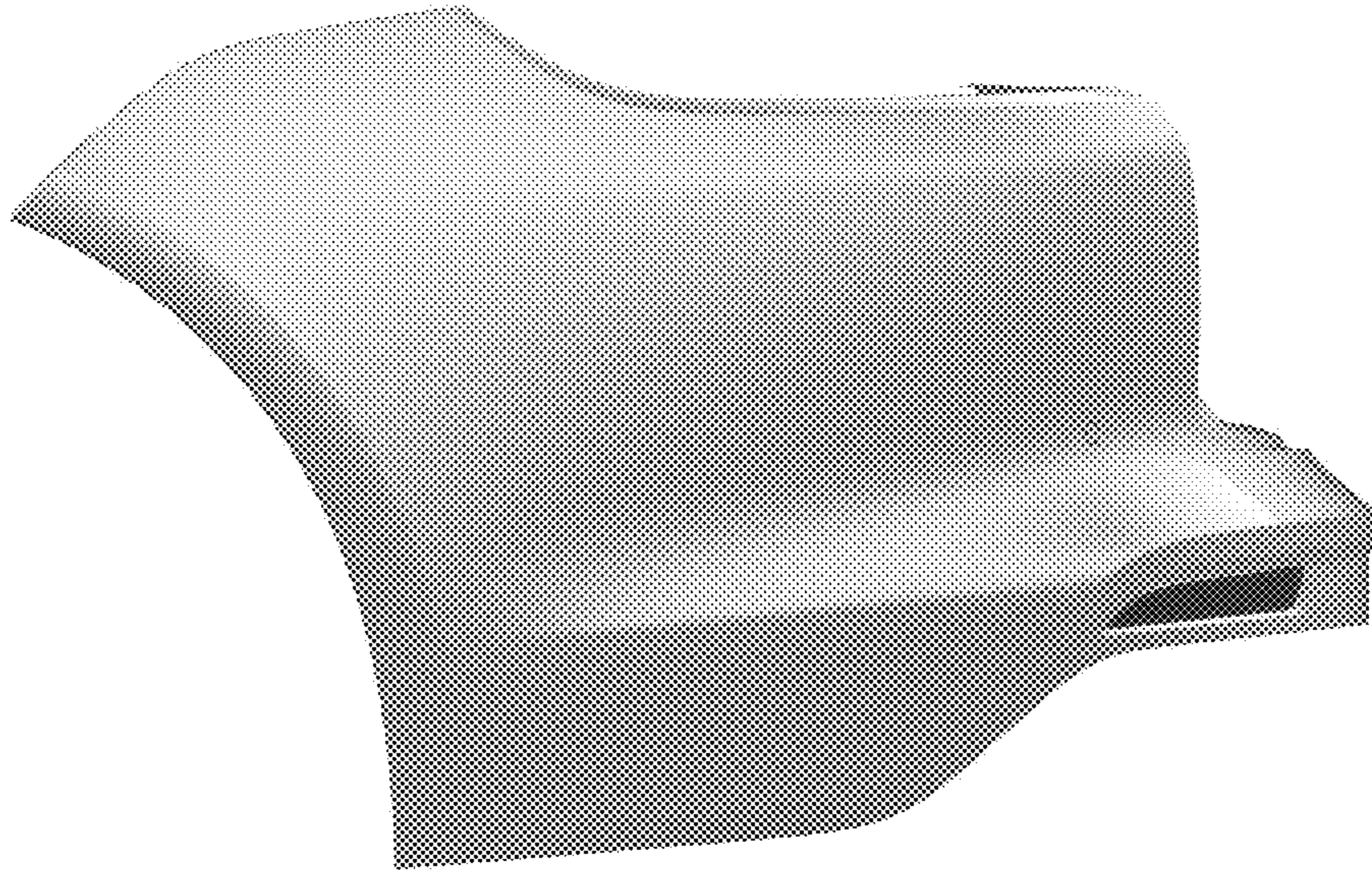


Figure 5

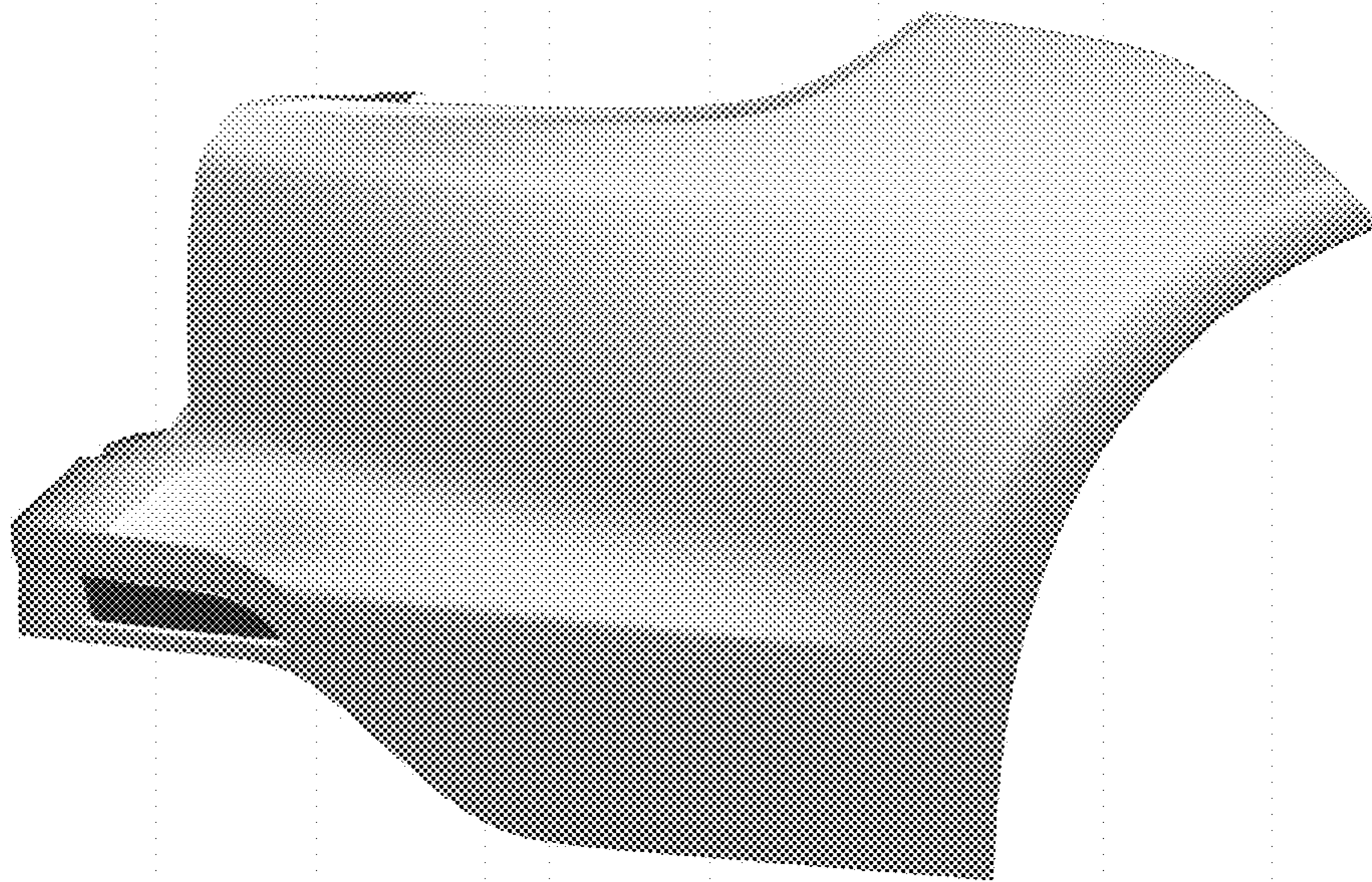


Figure 6

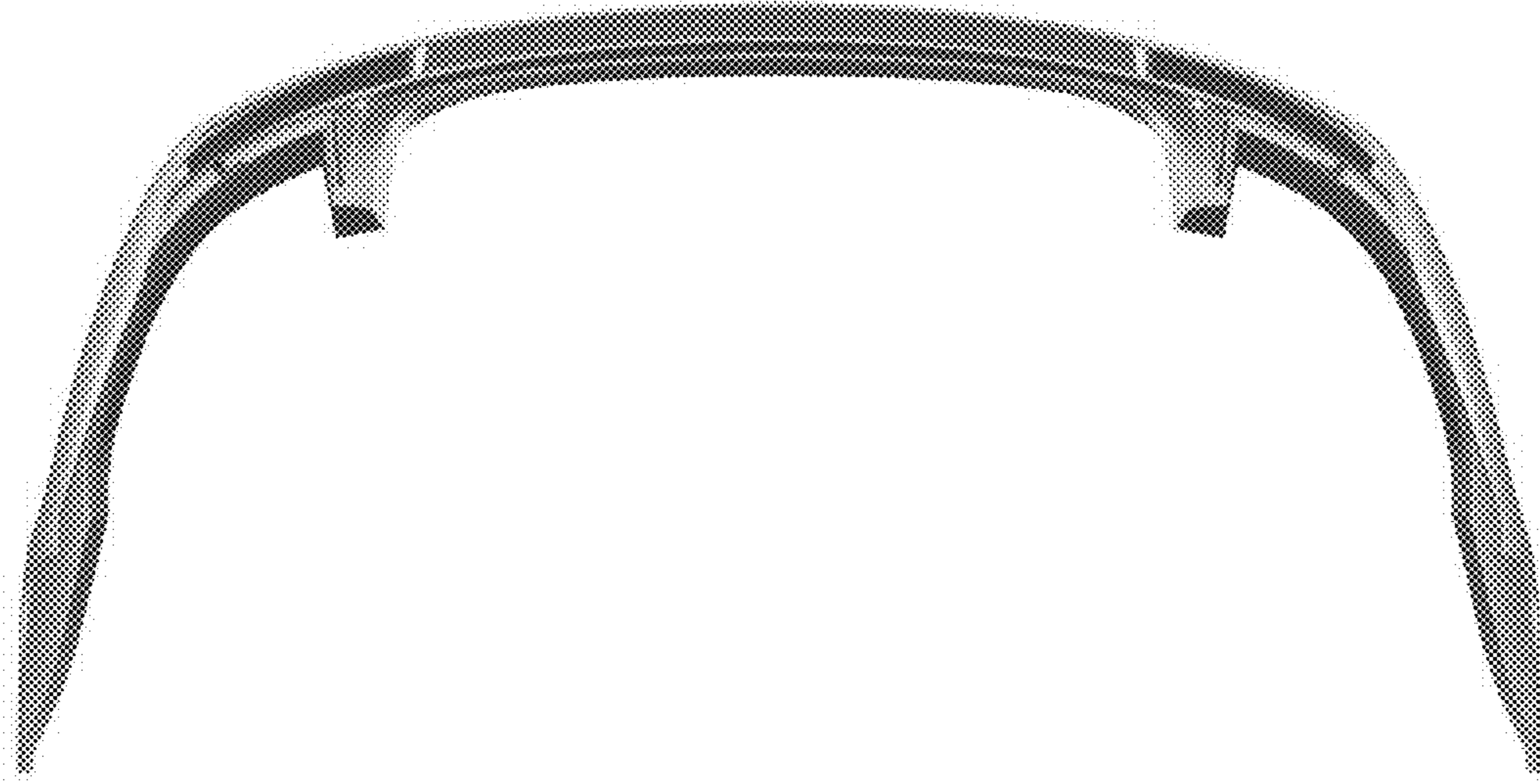


Figure 7

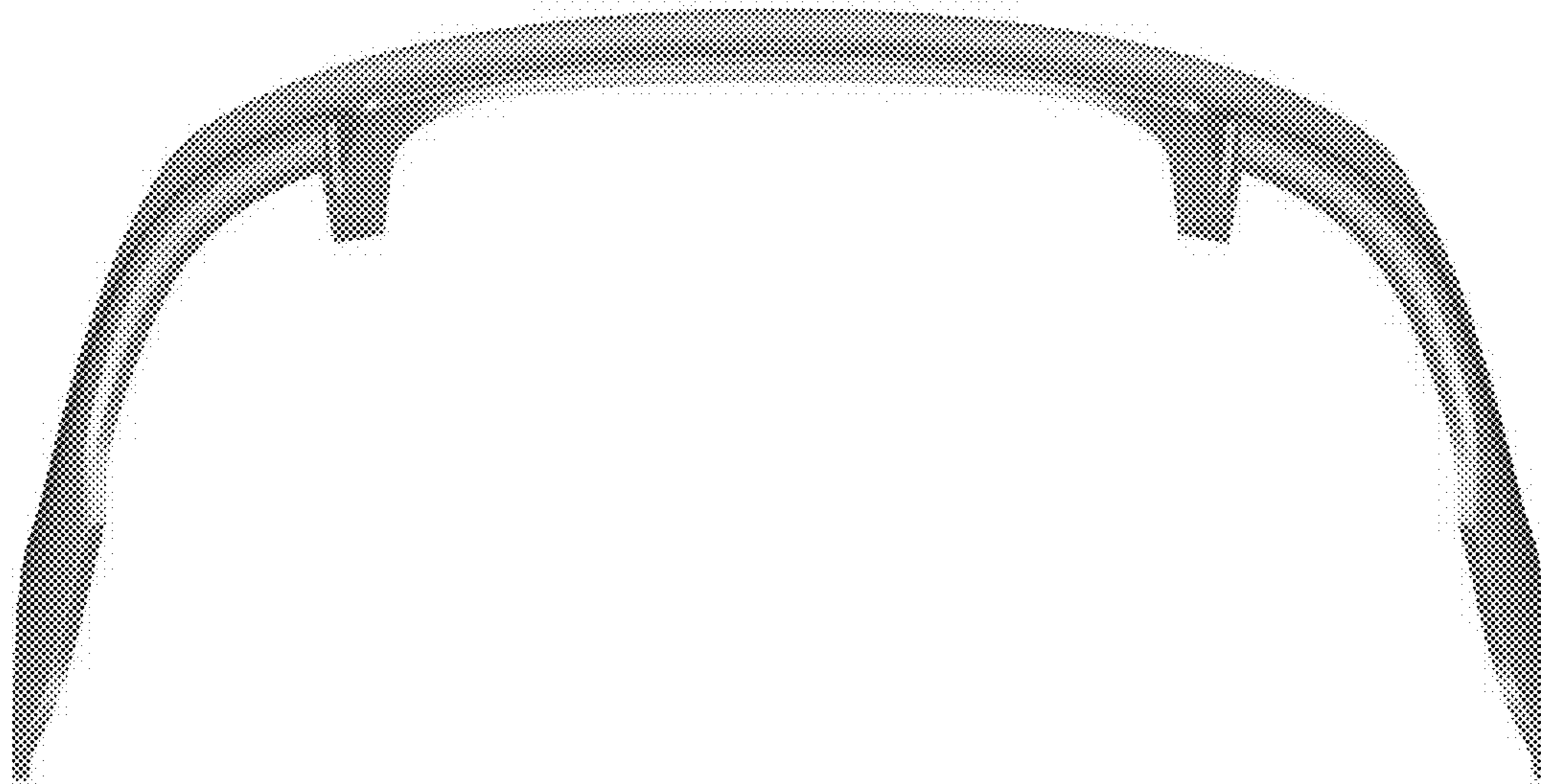


Figure 8