



US00D814991S

(12) **United States Design Patent**
Tanaka

(10) **Patent No.:** **US D814,991 S**
(45) **Date of Patent:** **** Apr. 10, 2018**

(54) **FRONT BUMPER FOR AUTOMOBILE**
(71) Applicant: **Nissan Motor Co., Ltd.**, Yokohama,
Kanagawa (JP)
(72) Inventor: **Satoshi Tanaka**, Kanagawa (JP)
(73) Assignee: **Nissan Motor Co., Ltd.**, Yokohama
(JP)
(**) Term: **15 Years**
(21) Appl. No.: **29/582,090**
(22) Filed: **Oct. 25, 2016**

JP D1300426 S 5/2007
JP D1315095 S 11/2007
JP D1321775 S 2/2008
JP D1330735 S 5/2008
JP D1346794 S 12/2008
JP D1346824 S 12/2008
JP D1346826 S 12/2008
JP D1388603 S 5/2010
JP D1400596 S 10/2011
JP D1426524 S 11/2011
JP D1411457 S 4/2012
JP D1416678 S 6/2012
JP D1454380 S 11/2012
JP D1499097 S 6/2014
JP D1489459 S 2/2015

(Continued)

Primary Examiner — Melody N Brown

(30) **Foreign Application Priority Data**
Apr. 26, 2016 (JP) 2016-009177
(51) **LOC (11) Cl.** **12-16**
(52) **U.S. Cl.**
USPC **D12/169**
(58) **Field of Classification Search**
USPC D12/169, 216, 90-92, 86, 171, 196, 163;
293/102, 113, 115, 117, 120; 296/180.1,
296/180.2
CPC B60R 19/02; B60R 19/04; B62D 25/08
See application file for complete search history.

(57) **CLAIM**

The ornamental design for a front bumper for an automobile,
as shown and described.

DESCRIPTION

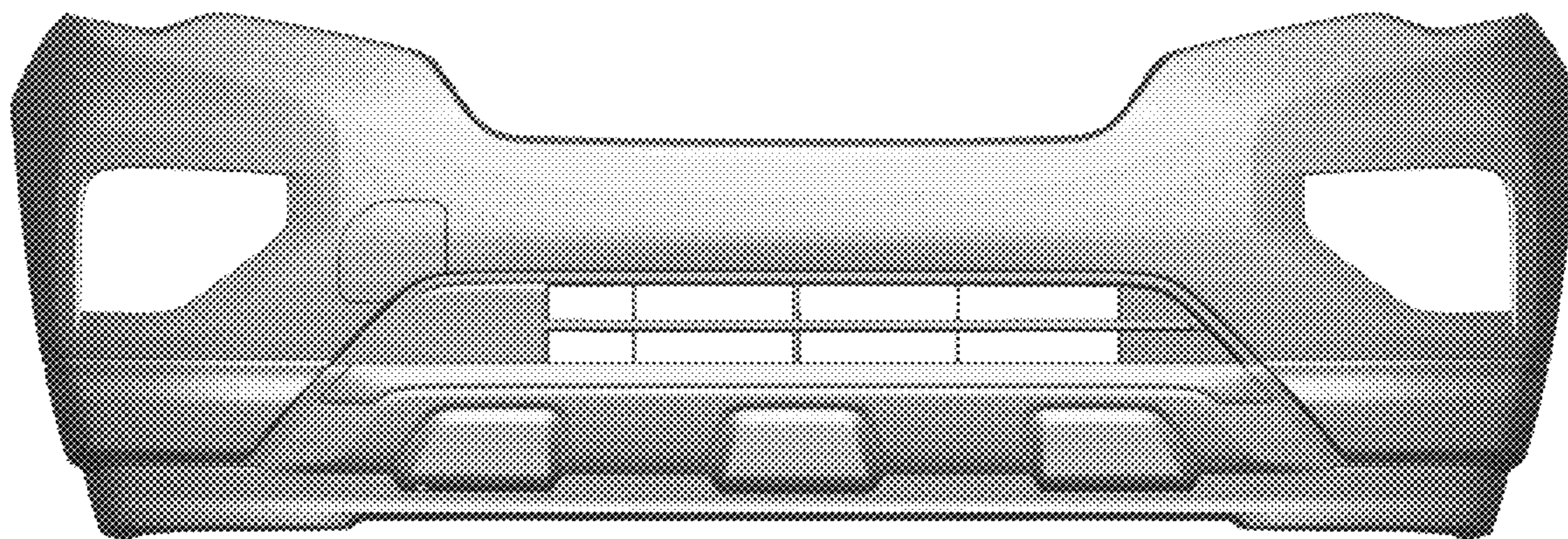
FIG. 1 is a front elevational view of a front bumper for an
automobile in accordance with our new design;
FIG. 2 is a top plan view thereof;
FIG. 3 is a bottom plan view thereof;
FIG. 4 is a left side elevational view thereof;
FIG. 5 is a right side elevational view thereof;
FIG. 6 is a bottom, front and left side perspective view
thereof; and,
FIG. 7 is a top, front and right side perspective view thereof.
The rear view of the front bumper forms no part of the
claimed design. In addition, the front bumper is configured
to be mounted to an automobile. The inside surfaces of the
front bumper, shown in broken lines in FIGS. 2, 6 and 7,
form no part of the claimed design since the inside surfaces
are hidden when the front bumper is mounted to the auto-
mobile.

(56) **References Cited**
U.S. PATENT DOCUMENTS
D760,127 S * 6/2016 Yamamoto D12/169
D786,151 S * 5/2017 Sakai D12/169
D786,749 S * 5/2017 Oohashi D12/169
D793,928 S * 8/2017 Smock D12/169

FOREIGN PATENT DOCUMENTS

JP D1112307 S 6/2001
JP D1240660 S 5/2005

1 Claim, 7 Drawing Sheets



(56)

References Cited

FOREIGN PATENT DOCUMENTS

JP	D1518711 S	3/2015
JP	D1501248 S	6/2015
JP	D1548747 S	5/2016
JP	D1553169 S	7/2016
JP	D1562804 S	11/2016
JP	D1562807 S	11/2016
JP	D1572294 S	3/2017
JP	D1572301 S	3/2017
JP	D1574845 S	4/2017
JP	D1576063 S	5/2017
JP	D1562821 S	10/2017

* cited by examiner

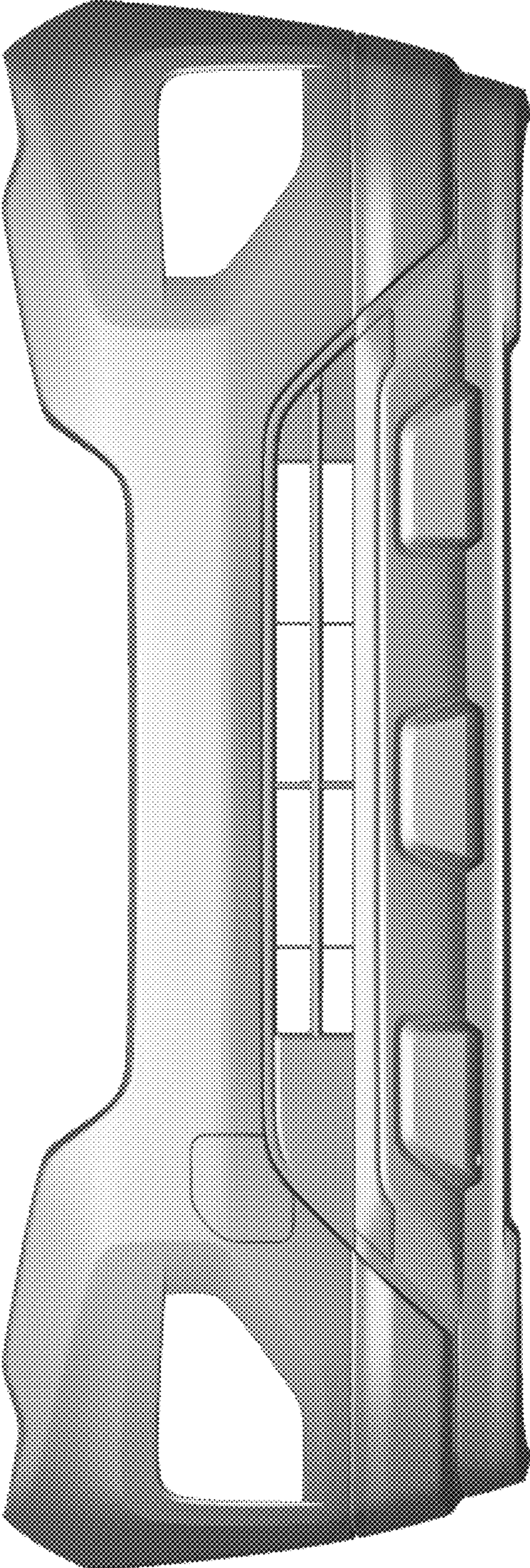


FIG. 1

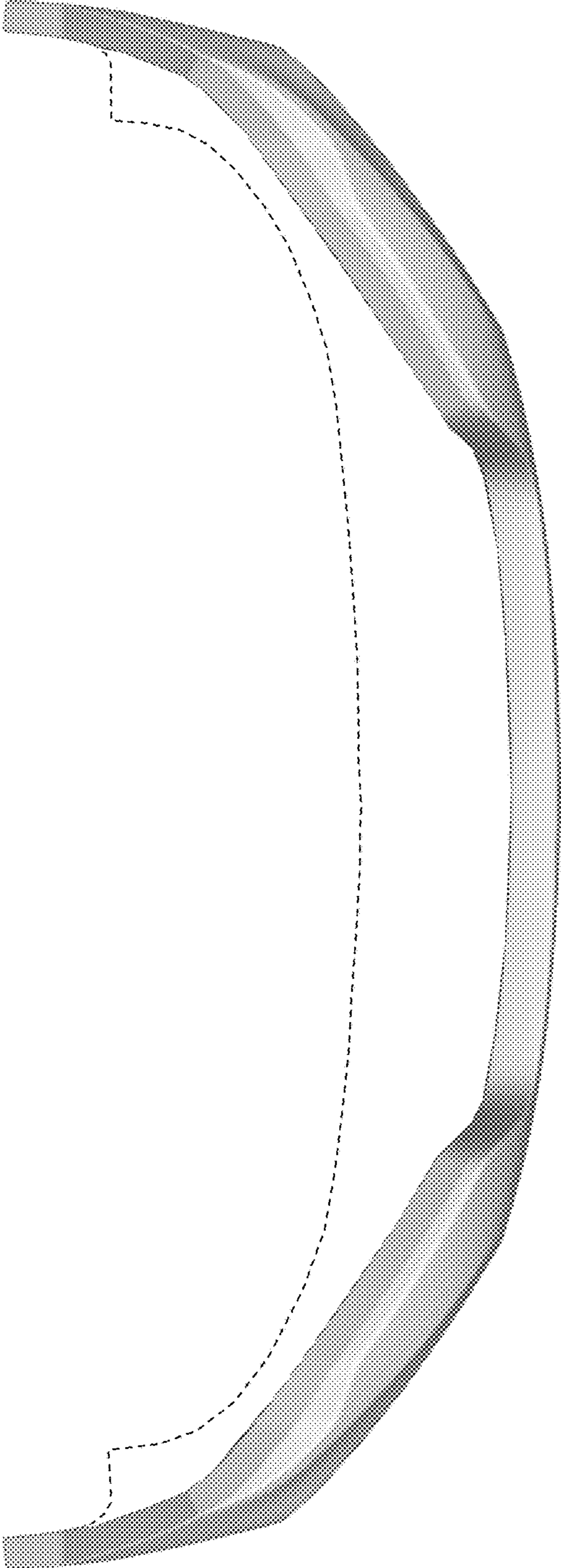


FIG. 2



FIG. 3

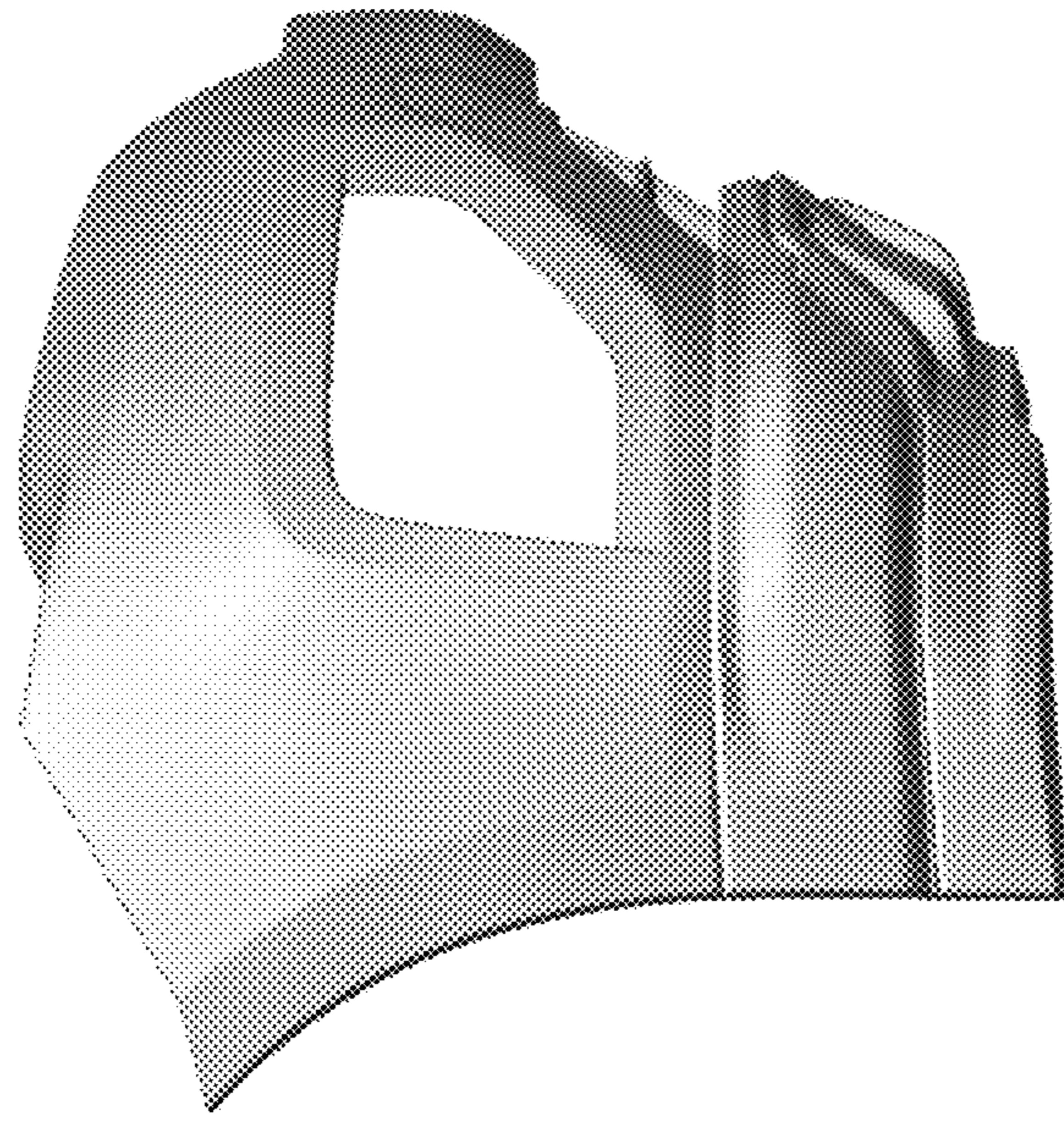


FIG. 4

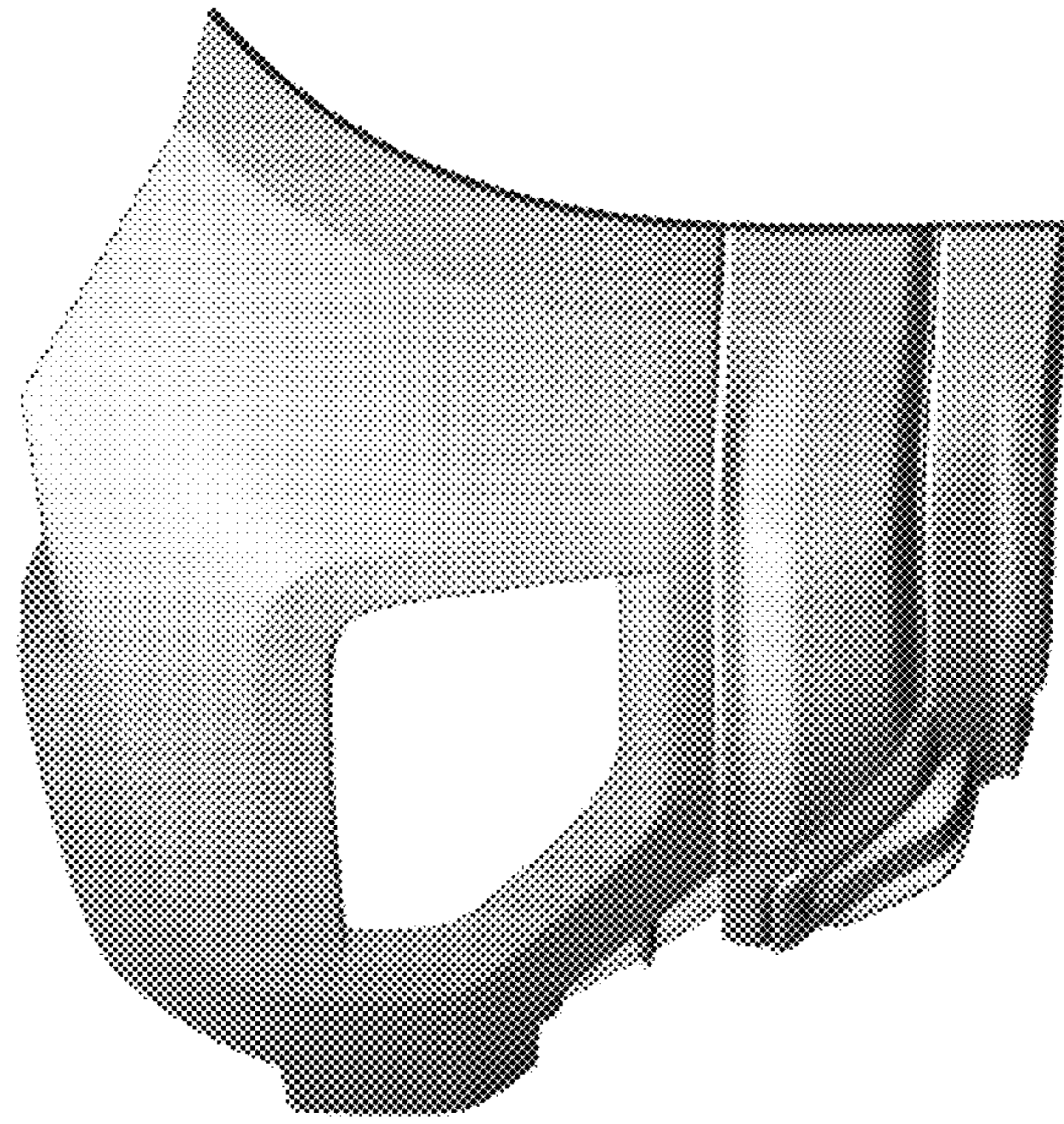


FIG. 5

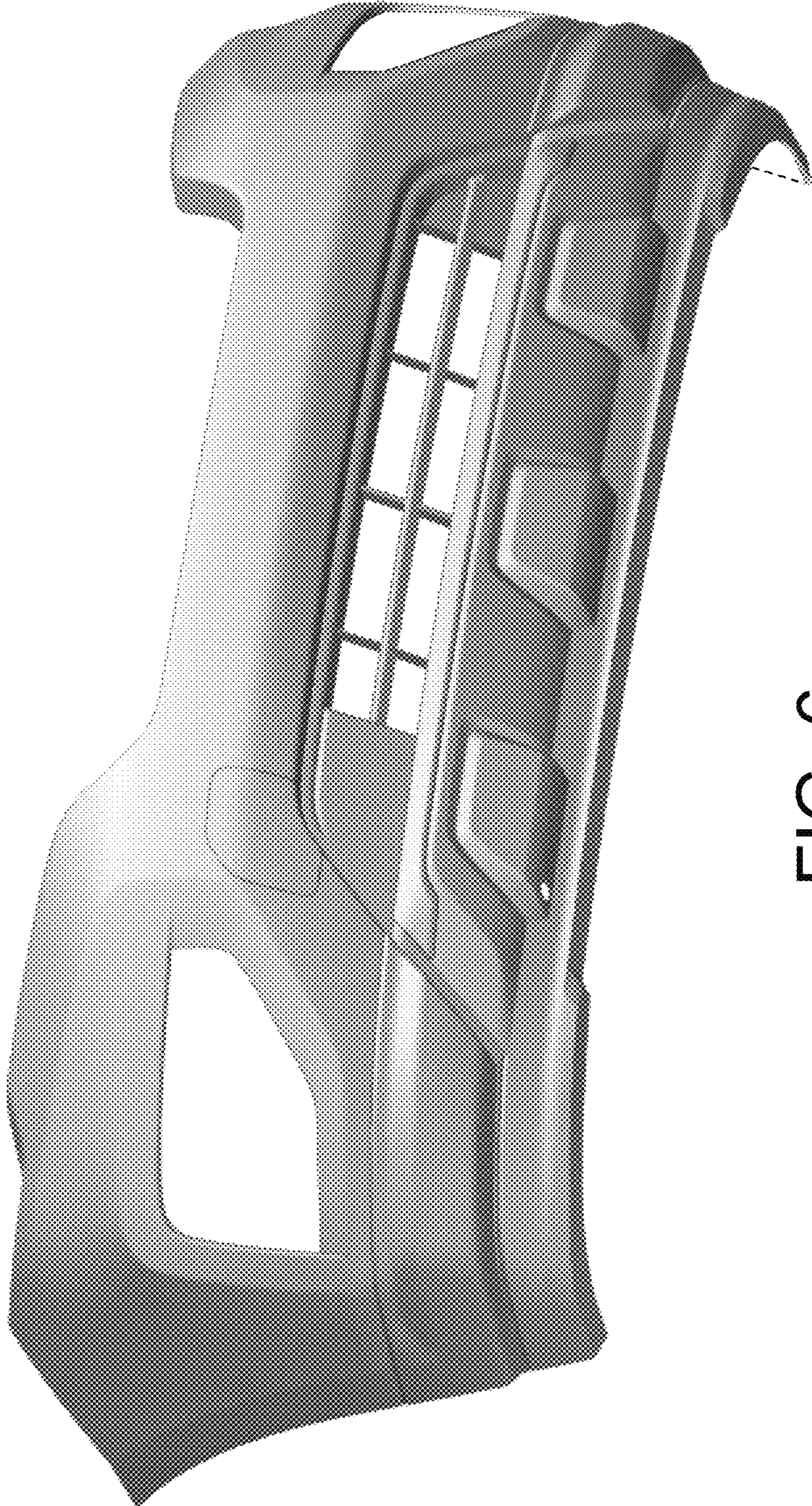


FIG. 6

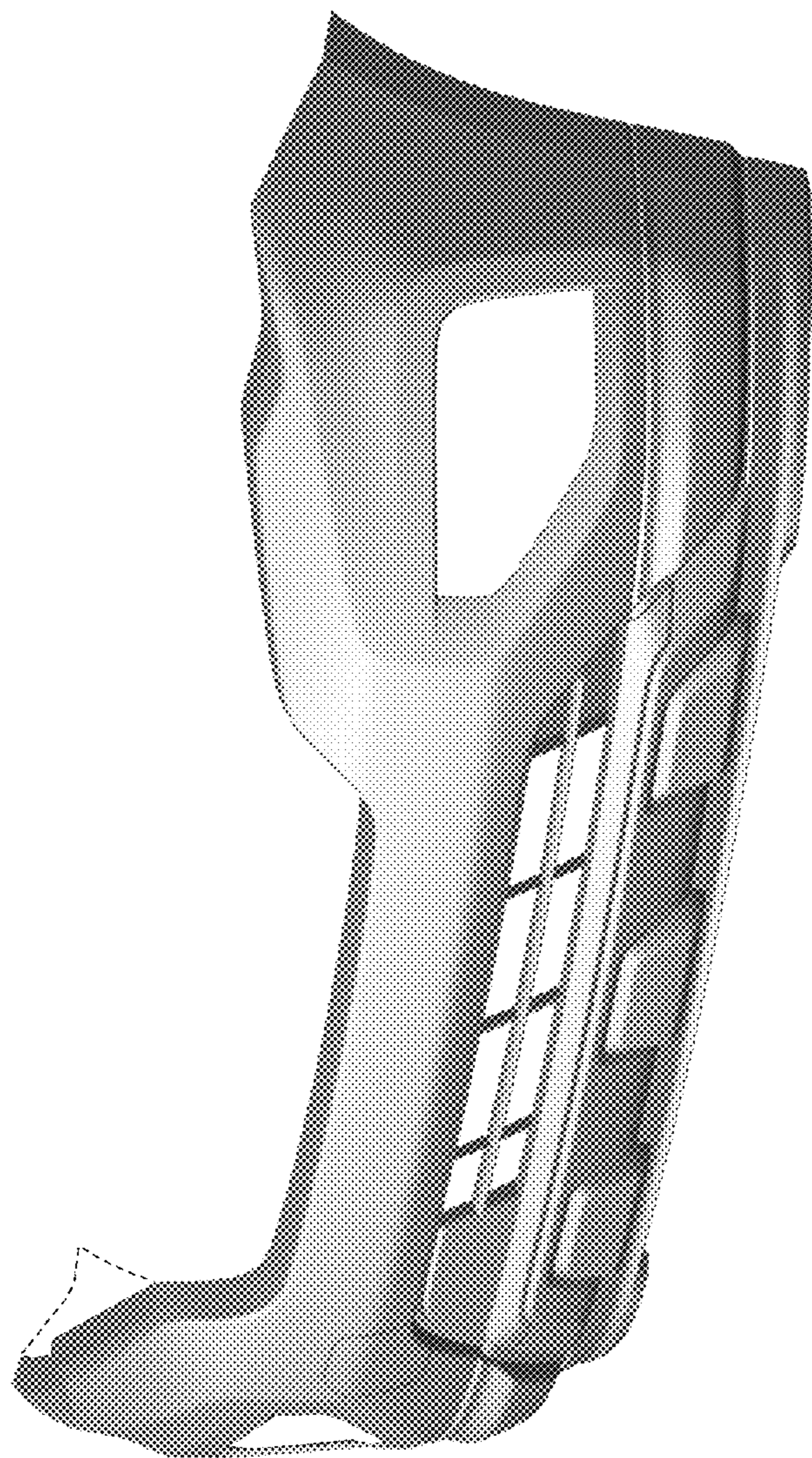


FIG. 7