



US00D814990S

(12) **United States Design Patent** (10) **Patent No.:** **US D814,990 S**  
**Ino et al.** (45) **Date of Patent:** **\*\* Apr. 10, 2018**

(54) **REAR BUMPER FOR AUTOMOBILE**  
(71) Applicant: **Nissan Motor Co., Ltd.**, Yokohama, Kanagawa (JP)  
(72) Inventors: **Masanobu Ino**, Kanagawa (JP); **Junichi Horii**, Kanagawa (JP)  
(73) Assignee: **Nissan Motor Co., Ltd.**, Yokohama (JP)  
(\*\*) Term: **15 Years**  
(21) Appl. No.: **29/582,085**  
(22) Filed: **Oct. 25, 2016**  
(51) **LOC (11) Cl.** ..... **12-16**  
(52) **U.S. Cl.**  
USPC ..... **D12/169**  
(58) **Field of Classification Search**  
USPC .... D12/169, 216, 90-92, 86, 171, 196, 163; 293/102, 113, 115, 117, 120; 296/180.1, 296/180.2  
CPC ..... B60R 19/02; B60R 19/04; B62D 25/08  
See application file for complete search history.

JP D1445040 S 7/2012  
JP D1562808 S 11/2016  
JP D1572295 S 3/2017  
JP D1572302 S 3/2017  
JP D1574866 S 4/2017  
JP D1527904 S 6/2017

**OTHER PUBLICATIONS**

“2017 Nissan Armada full-size SUV makes world debut at Chicago Auto Show” posted at <https://www.youtube.com/watch?v=eh0bmWfuiKg> on Feb. 10, 2016.

\* cited by examiner

*Primary Examiner* — Melody N Brown

(57) **CLAIM**

The ornamental design for a rear bumper for an automobile, as shown and described.

**DESCRIPTION**

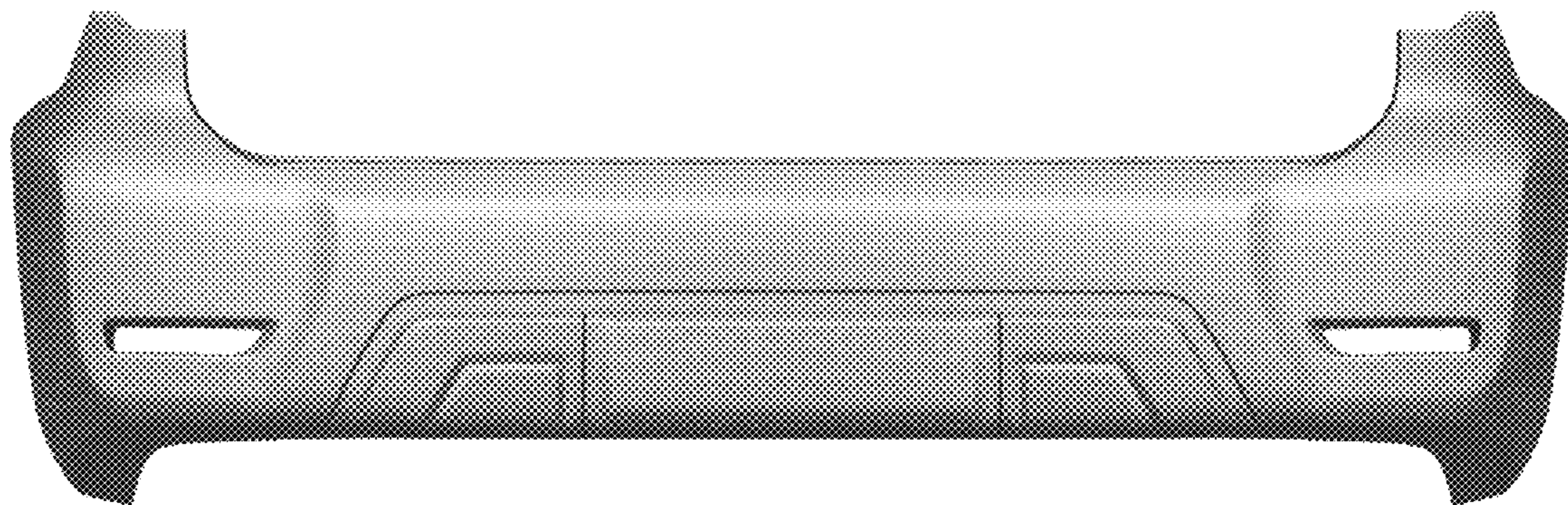
FIG. 1 is a front elevational view of a rear bumper for an automobile in accordance with our new design;  
FIG. 2 is a top plan view thereof;  
FIG. 3 is a bottom plan view thereof;  
FIG. 4 is a left side elevational view thereof;  
FIG. 5 is a right side elevational view thereof;  
FIG. 6 is a top, front and right side perspective view thereof; and,  
FIG. 7 is a bottom, front and left side perspective view thereof.

The rear view of the rear bumper forms no part of the claimed design. In addition, the rear bumper is configured to be mounted to an automobile. The inside surfaces of the rear bumper, shown in broken lines in FIGS. 2, 3, 6 and 7, form no part of the claimed design since the inside surfaces are hidden when the rear bumper is mounted to the automobile.

(56) **References Cited**  
**U.S. PATENT DOCUMENTS**  
D773,966 S \* 12/2016 Choi ..... D12/169  
D798,203 S \* 9/2017 Shiu ..... D12/169  
D799,388 S \* 10/2017 Smock ..... D12/169  
D801,239 S \* 10/2017 Yang ..... D12/169  
D801,888 S \* 11/2017 Yang ..... D12/169  
D801,890 S \* 11/2017 Han ..... D12/169

**FOREIGN PATENT DOCUMENTS**  
JP D1302761 S 6/2007  
JP D1334570 S 6/2008

**1 Claim, 7 Drawing Sheets**



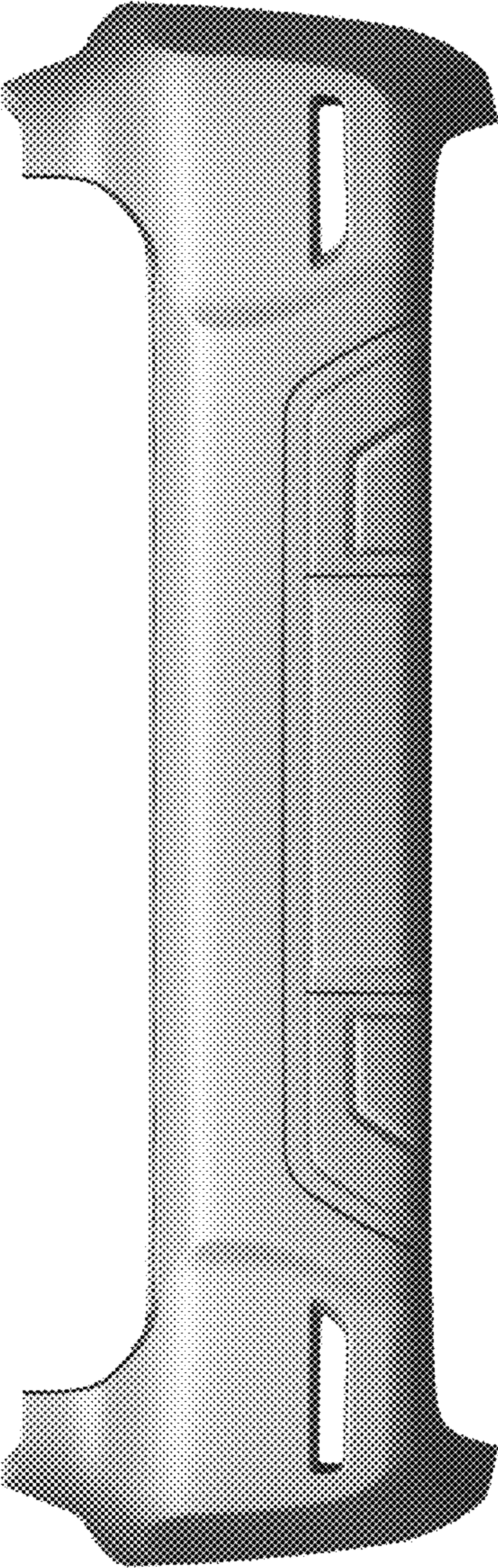


FIG. 1





FIG. 2

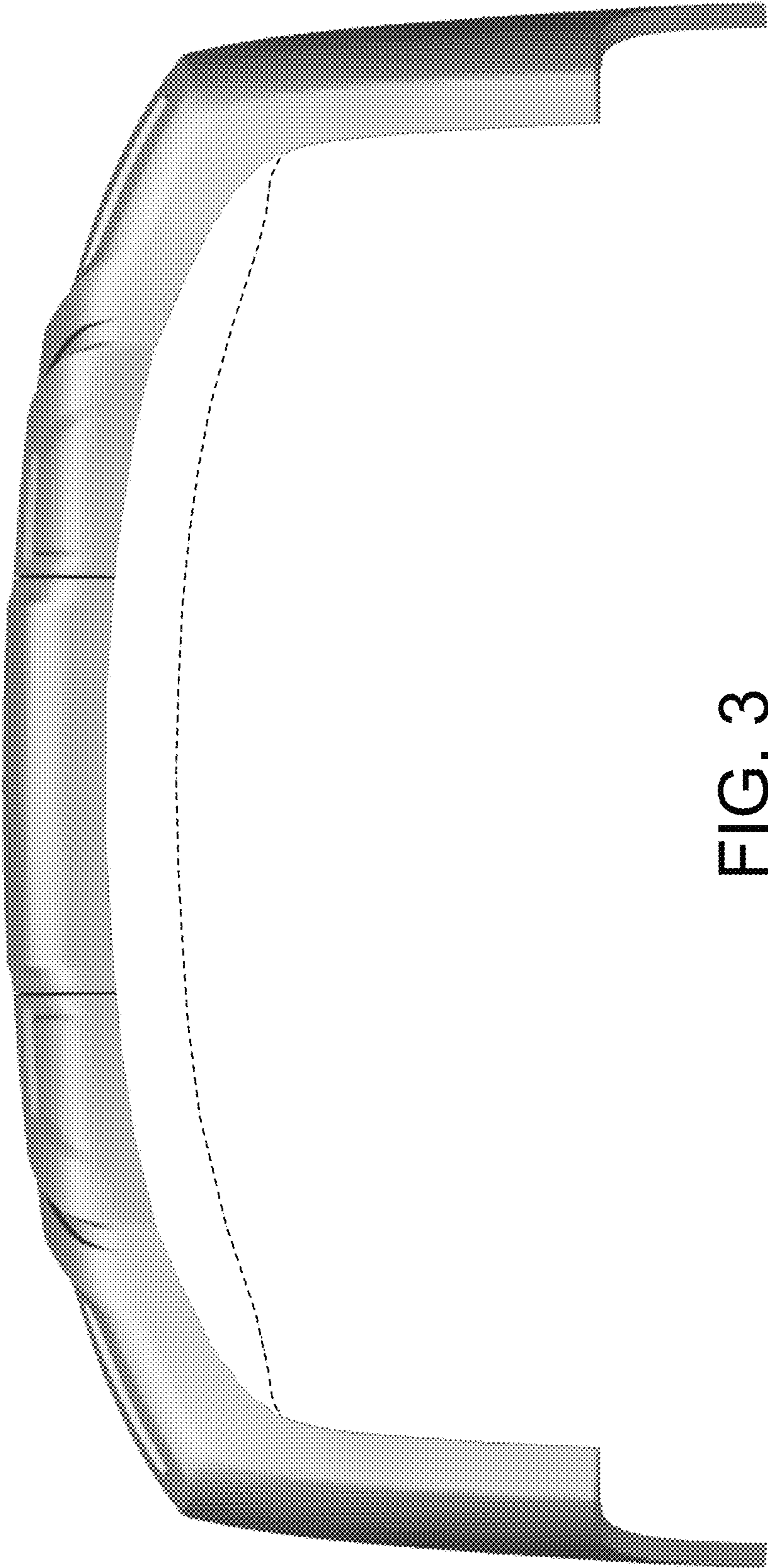


FIG. 3



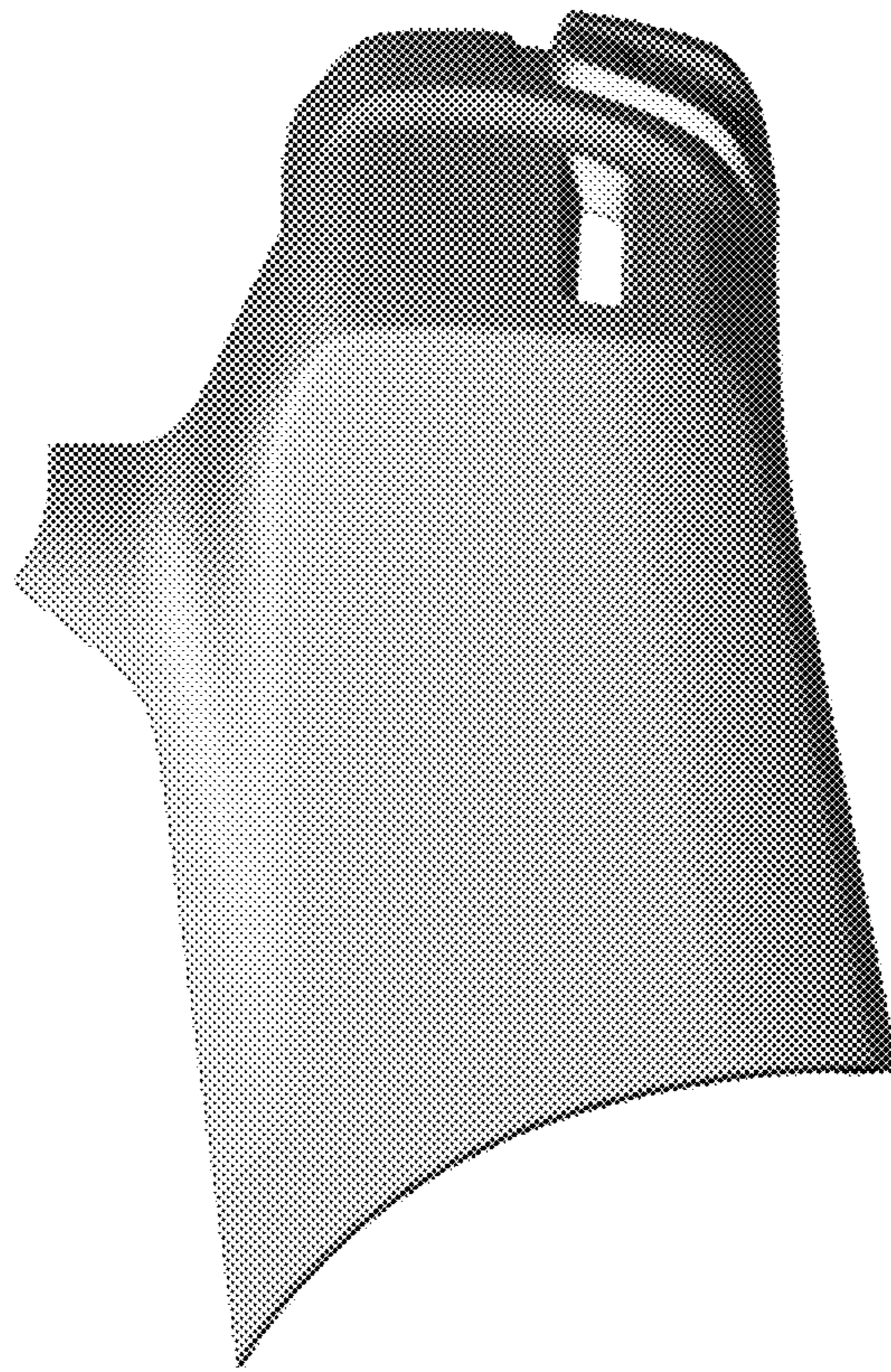


FIG. 4

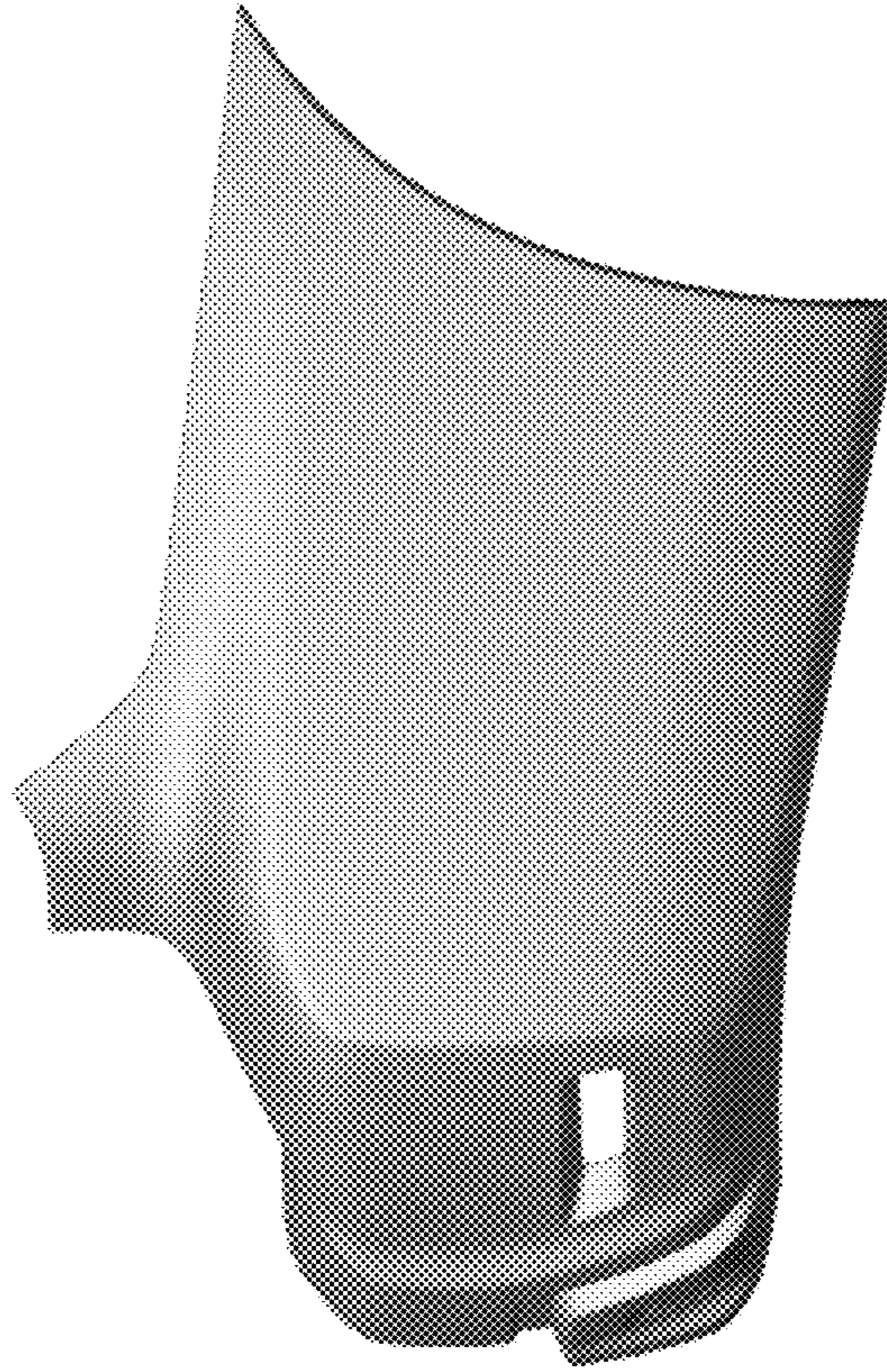


FIG. 5



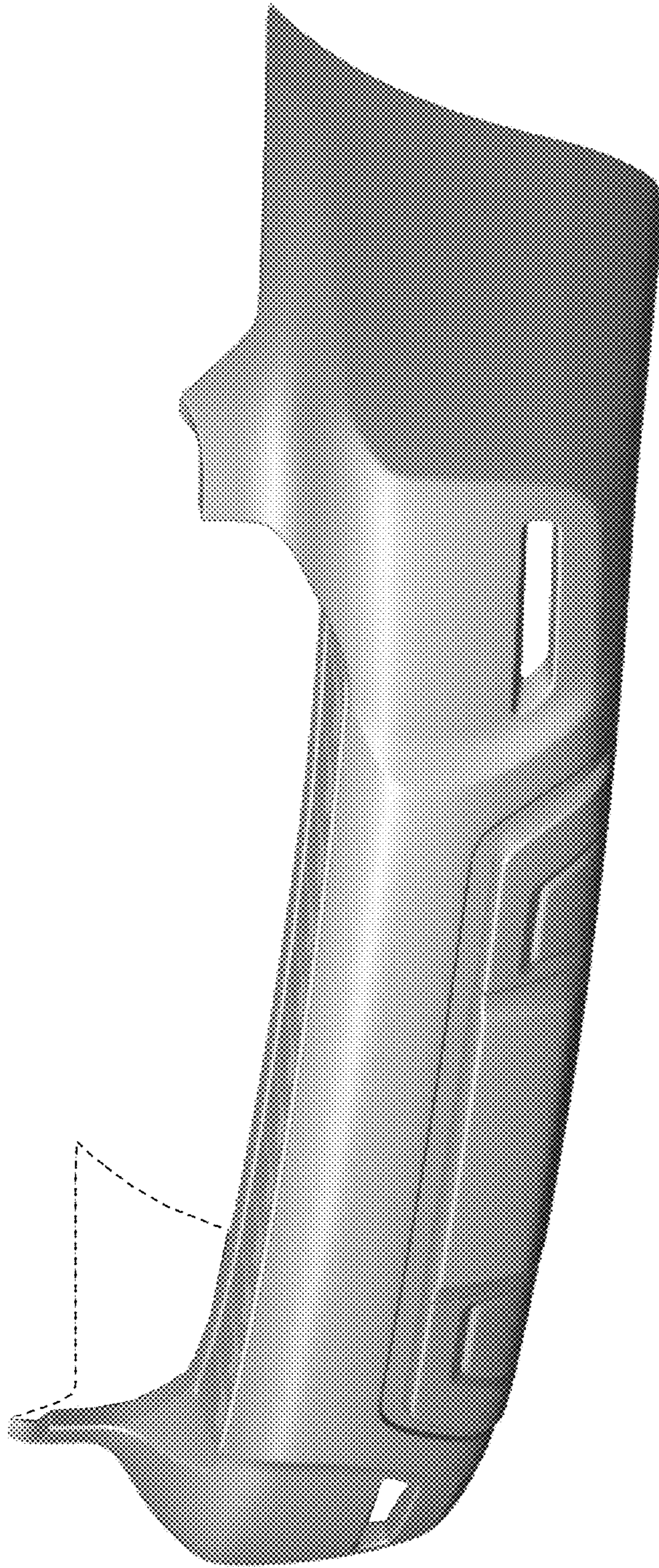


FIG. 6



FIG. 7