



US00D814989S

(12) **United States Design Patent** (10) **Patent No.:** **US D814,989 S**  
**Ino et al.** (45) **Date of Patent:** **\*\* Apr. 10, 2018**

(54) **FRONT BUMPER FOR AUTOMOBILE**  
(71) Applicant: **Nissan Motor Co., Ltd.**, Yokohama, Kanagawa (JP)  
(72) Inventors: **Masanobu Ino**, Kanagawa (JP); **Junichi Horii**, Kanagawa (JP)  
(73) Assignee: **Nissan Motor Co., Ltd.**, Yokohama (JP)

JP D1346824 S 12/2008  
JP D1346826 S 12/2008  
JP D1388603 S 5/2010  
JP D1400596 S 10/2011  
JP D1426524 S 11/2011  
JP D1411457 S 4/2012  
JP D1416678 S 6/2012  
JP D1454380 S 11/2012

(Continued)

(\*\*) Term: **15 Years**  
(21) Appl. No.: **29/582,084**

(22) Filed: **Oct. 25, 2016**  
(51) **LOC (11) Cl.** ..... **12-16**  
(52) **U.S. Cl.**  
USPC ..... **D12/169**  
(58) **Field of Classification Search**  
USPC .... D12/169, 216, 90-92, 86, 171, 196, 163;  
293/102, 113, 115, 117, 120; 296/180.1,  
296/180.2  
CPC ..... B60R 19/02; B60R 19/04; B62D 25/08  
See application file for complete search history.

(56) **References Cited**

**U.S. PATENT DOCUMENTS**

D760,127 S \* 6/2016 Yamamoto ..... D12/169  
D786,151 S \* 5/2017 Sakai ..... D12/169  
D786,749 S \* 5/2017 Oohashi ..... D12/169  
D793,928 S \* 8/2017 Smock ..... D12/169

**FOREIGN PATENT DOCUMENTS**

JP D1112307 S 6/2001  
JP D1240660 S 5/2005  
JP D1300426 S 5/2007  
JP D1315095 S 11/2007  
JP D1321775 S 2/2008  
JP D1330735 S 5/2008  
JP D1346794 S 12/2008

**OTHER PUBLICATIONS**

“2017 Nissan Armada full-size SUV makes world debut at Chicago Auto Show” posted at <https://www.youtube.com/watch?v=eh0bmWfuiKg> on Feb. 10, 2016.

*Primary Examiner* — Melody N Brown

(57) **CLAIM**

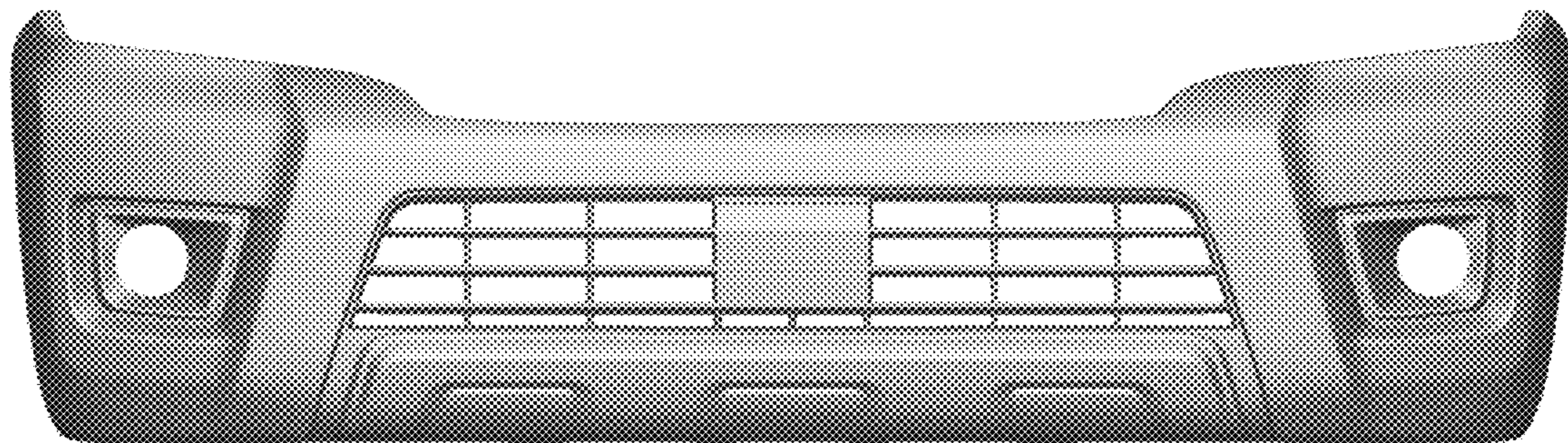
The ornamental design for a front bumper for an automobile, as shown and described.

**DESCRIPTION**

FIG. 1 is a front elevational view of a front bumper for an automobile in accordance with our new design;  
FIG. 2 is a top plan view thereof;  
FIG. 3 is a bottom plan view thereof;  
FIG. 4 is a left side elevational view thereof;  
FIG. 5 is a right side elevational view thereof;  
FIG. 6 is a top, front and left side perspective view thereof;  
and,  
FIG. 7 is a bottom, front and right side perspective view thereof.

The rear view of the front bumper forms no part of the claimed design. In addition, the front bumper is configured to be mounted to an automobile. The inside surfaces of the front bumper, shown in broken lines in FIGS. 2, 6 and 7, form no part of the claimed design since the inside surfaces are hidden when the front bumper is mounted to the automobile.

**1 Claim, 7 Drawing Sheets**



(56)

**References Cited**

FOREIGN PATENT DOCUMENTS

JP	D1499097 S	6/2014
JP	D1489459 S	2/2015
JP	D1518711 S	3/2015
JP	D1501248 S	6/2015
JP	D1548747 S	5/2016
JP	D1553169 S	7/2016
JP	D1562804 S	11/2016
JP	D1562807 S	11/2016
JP	D1572294 S	3/2017
JP	D1572301 S	3/2017
JP	D1574845 S	4/2017
JP	D1562821 S	10/2017

\* cited by examiner

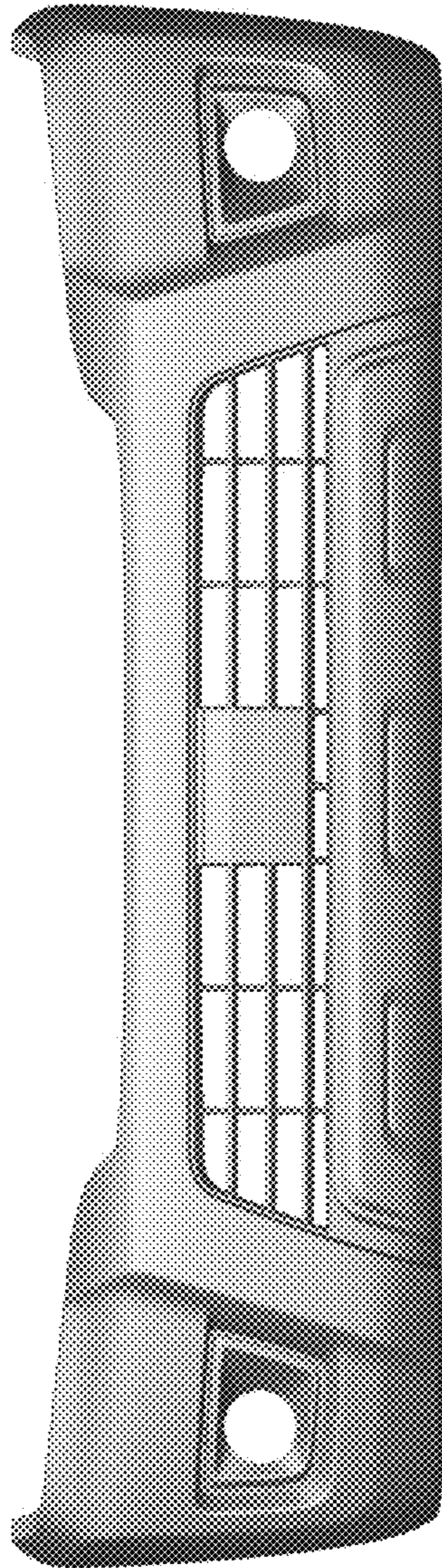


FIG. 1

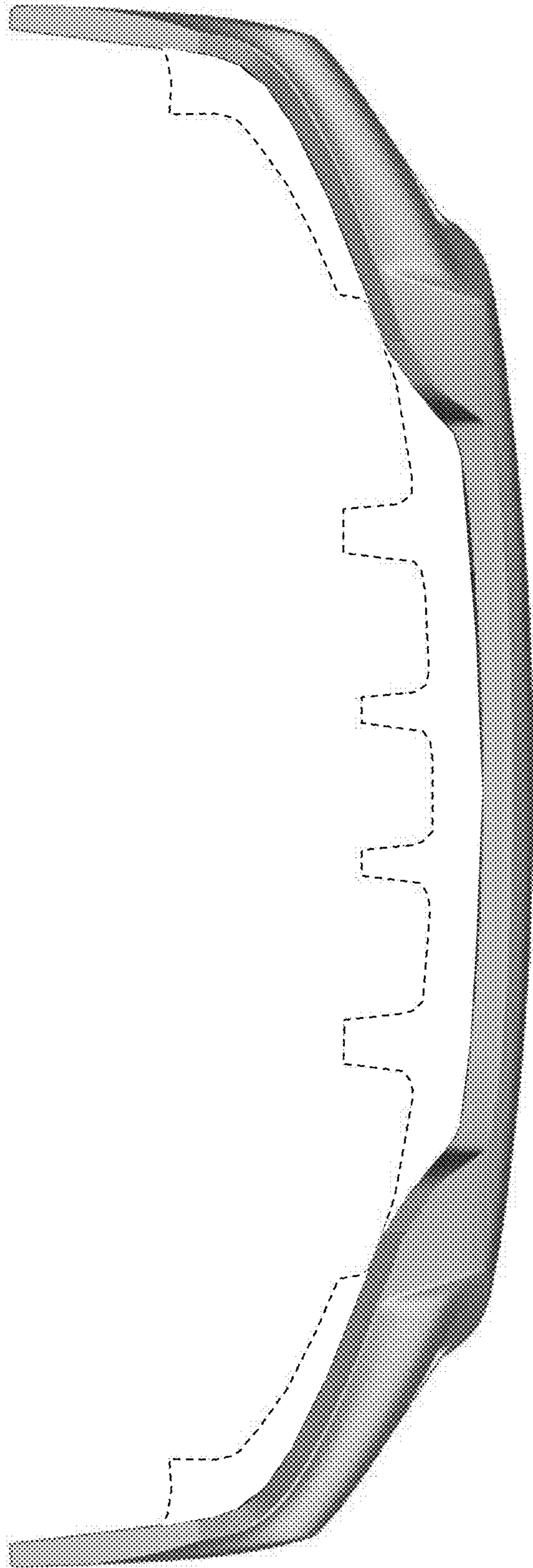


FIG. 2

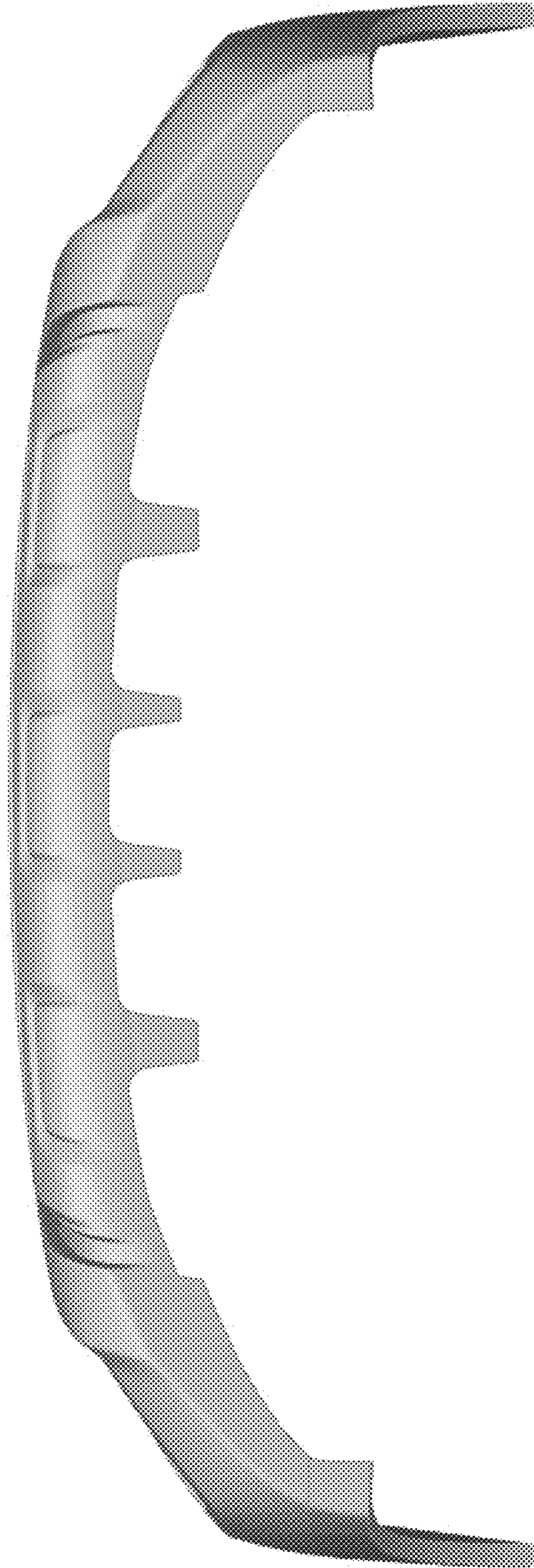


FIG. 3

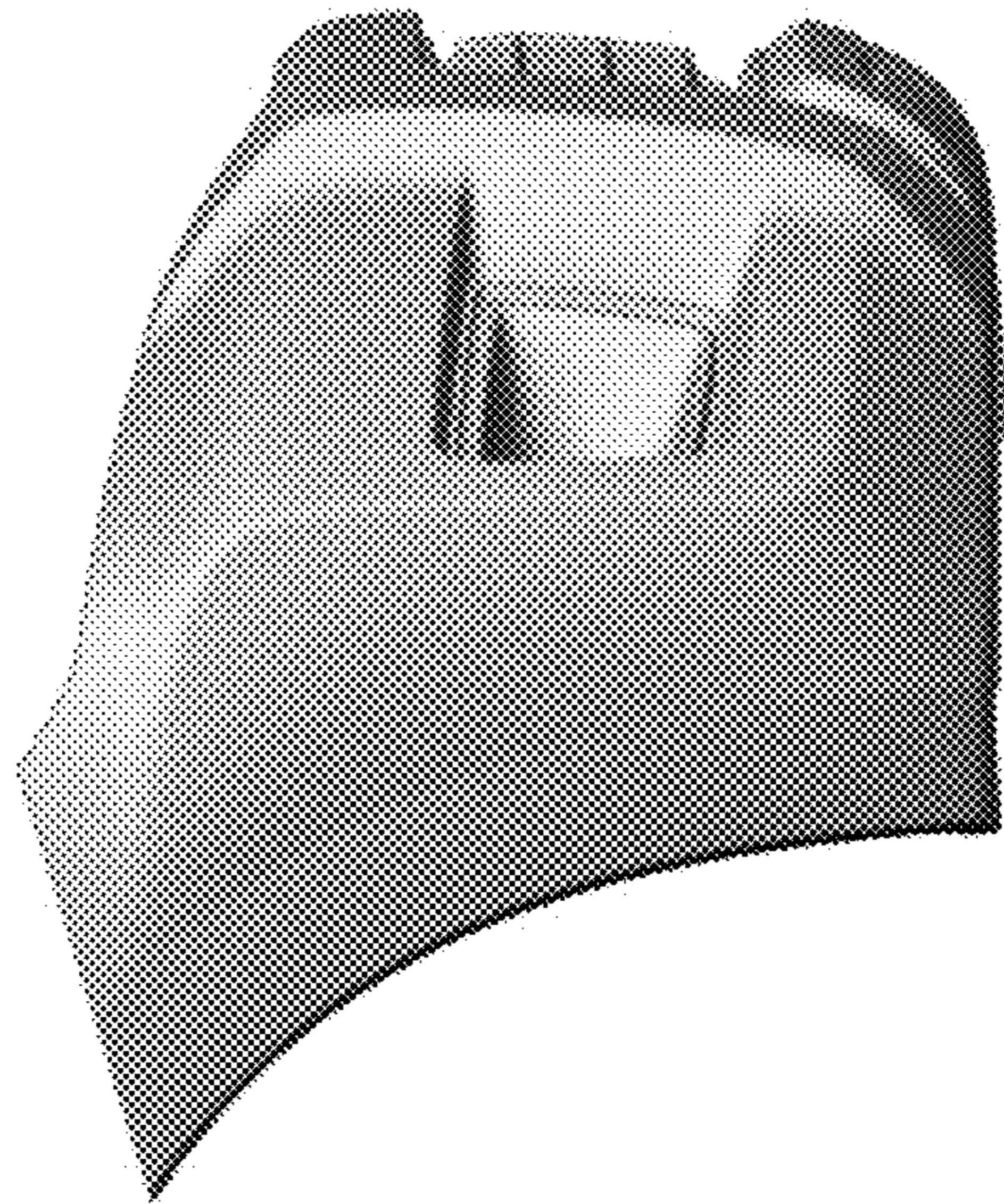


FIG. 4

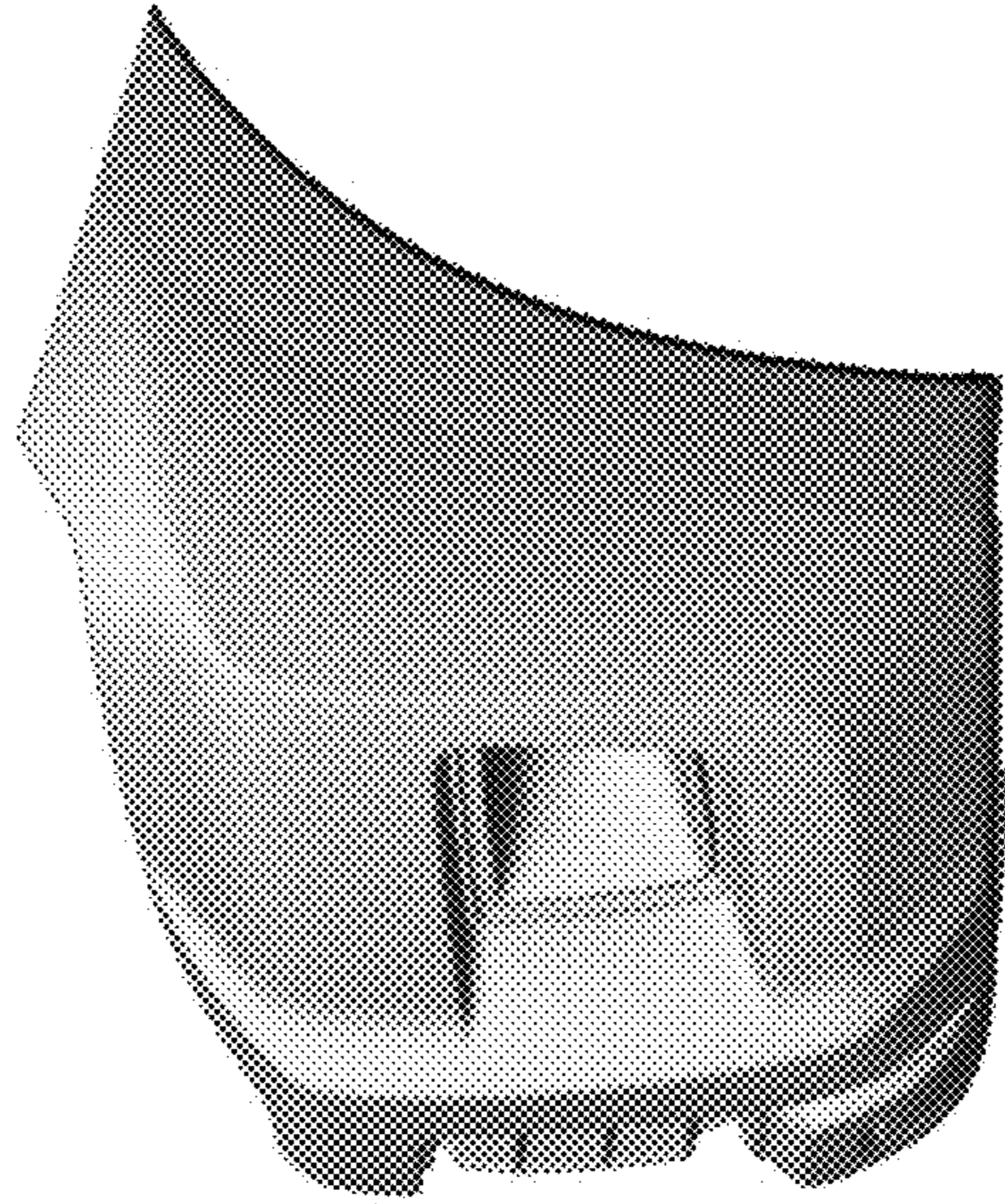


FIG. 5



FIG. 6



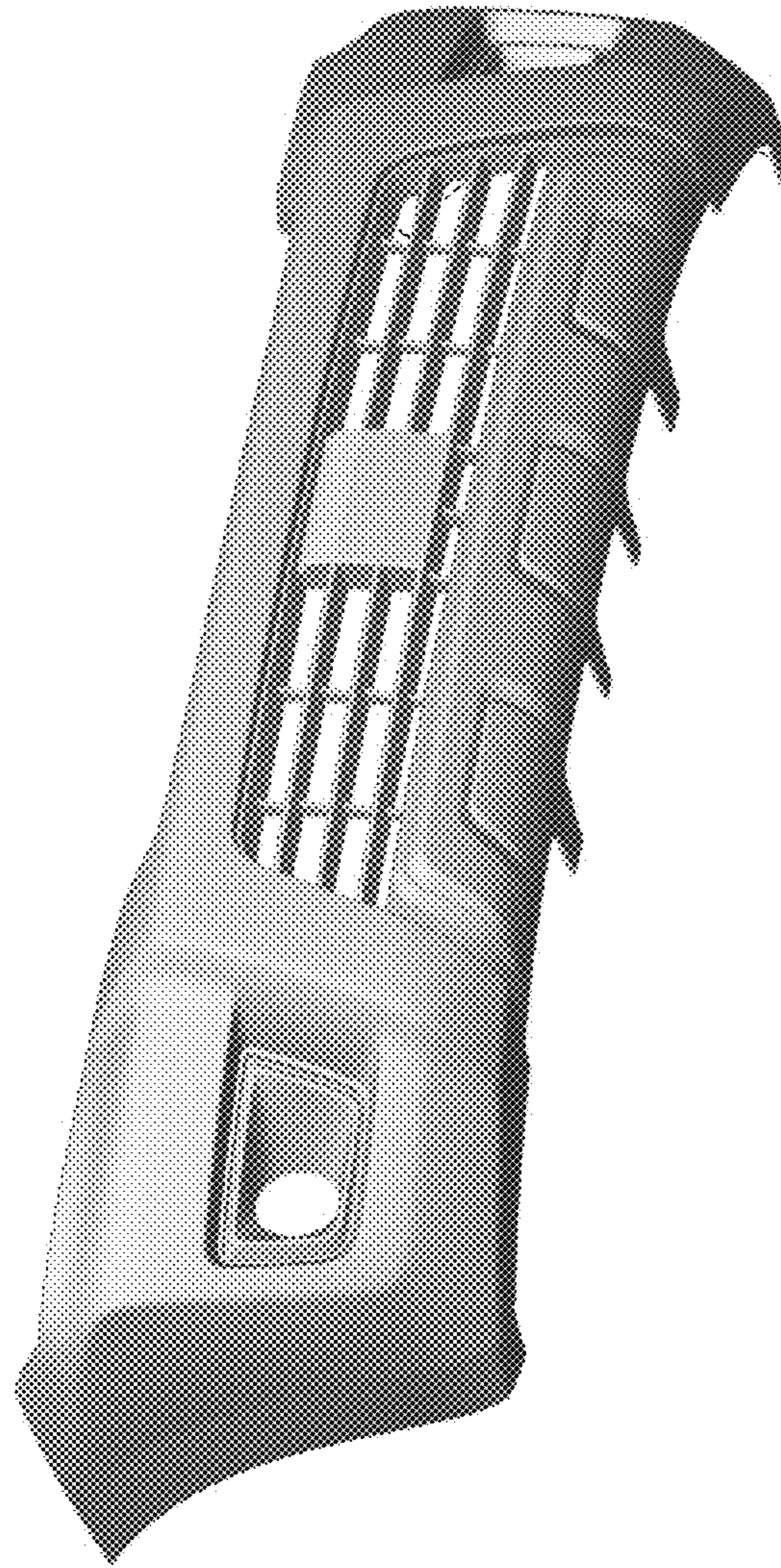


FIG. 7