



US00D814988S

(12) **United States Design Patent** (10) **Patent No.:** **US D814,988 S**
Szavits (45) **Date of Patent:** **** Apr. 10, 2018**

(54) **REAR BUMPER FOR A VEHICLE**
(71) Applicant: **Bayerische Motoren Werke Aktiengesellschaft, Munich (DE)**
(72) Inventor: **Michael Szavits, Munich (DE)**
(73) Assignee: **Bayerische Motoren Werke Aktiengesellschaft, Munich (DE)**

D750,539 S * 3/2016 Iwauchi D12/169
D753,564 S * 4/2016 Frascella D12/169
D762,532 S * 8/2016 Tsutamori D12/169
D764,986 S * 8/2016 Faghihzadeh D12/169
D765,567 S * 9/2016 De Bono D12/169
D784,868 S * 4/2017 Yamamoto D12/169
D795,141 S * 8/2017 Ikeda D12/169
D801,237 S * 10/2017 Jang D12/169
D803,735 S * 11/2017 Choi D12/169

(**) Term: **15 Years**
(21) Appl. No.: **29/581,555**
(22) Filed: **Oct. 20, 2016**

FOREIGN PATENT DOCUMENTS

WO WO DM/072779 6/2010
WO WO DM/082111 5/2014

* cited by examiner

Primary Examiner — Melody N Brown
(74) *Attorney, Agent, or Firm* — Crowell & Moring LLP

(30) **Foreign Application Priority Data**
Apr. 21, 2016 (DE) 40 2016 100 513
(51) **LOC (11) Cl.** **12-16**
(52) **U.S. Cl.**
USPC **D12/169**
(58) **Field of Classification Search**
USPC D12/169, 216, 90-92, 86, 171, 196, 163;
293/102, 113, 115, 117, 120; 296/180.1,
296/180.2
CPC B60R 19/02; B60R 19/04; B62D 25/08
See application file for complete search history.

(57) **CLAIM**

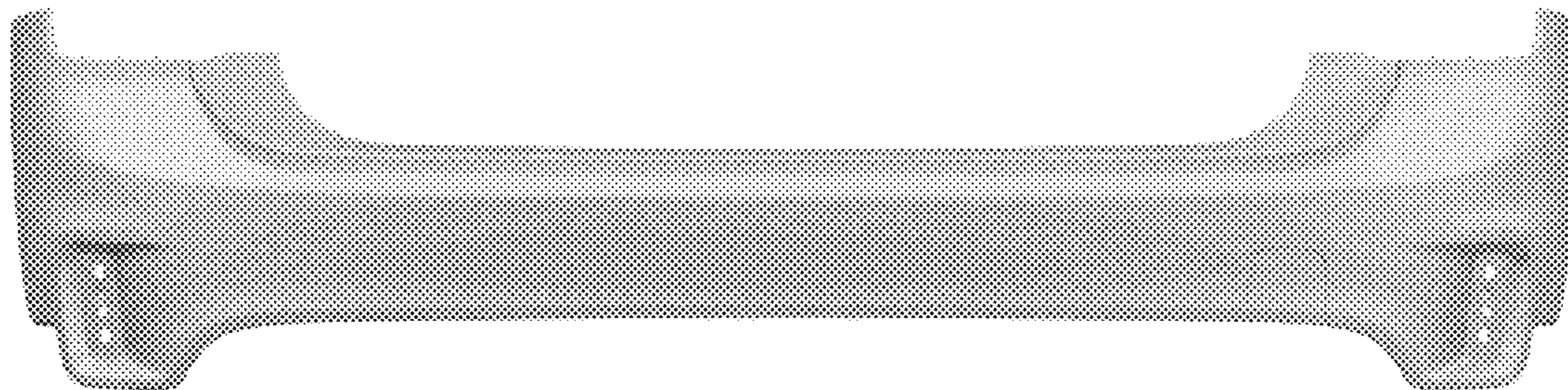
The ornamental design for a rear bumper for a vehicle, as shown and described.

DESCRIPTION

This application contains subject matter related to the following co-pending U.S. design patent application: Application Ser. No. 29/581,549, filed herewith and entitled "Vehicle, Toy, and/or Replicas Thereof".
FIG. 1 is a front view of a rear bumper for a vehicle according to the design;
FIG. 2 is a right, front perspective view thereof;
FIG. 3 is a rear perspective view thereof;
FIG. 4 is a left side view thereof;
FIG. 5 is a right side view thereof;
FIG. 6 is a top view thereof;
FIG. 7 is a bottom view thereof; and,
FIG. 8 is a rear view thereof.

(56) **References Cited**
U.S. PATENT DOCUMENTS
D630,976 S 1/2011 Clottu
D677,202 S * 3/2013 Hamilton D12/169
D734,222 S * 7/2015 Duff D12/169
D738,271 S * 9/2015 Glover D12/169
D743,855 S * 11/2015 Miyazawa D12/169
D744,913 S * 12/2015 Leclercq D12/169
D746,738 S * 1/2016 Wolff D12/169
D749,475 S * 2/2016 Battams D12/169

1 Claim, 8 Drawing Sheets



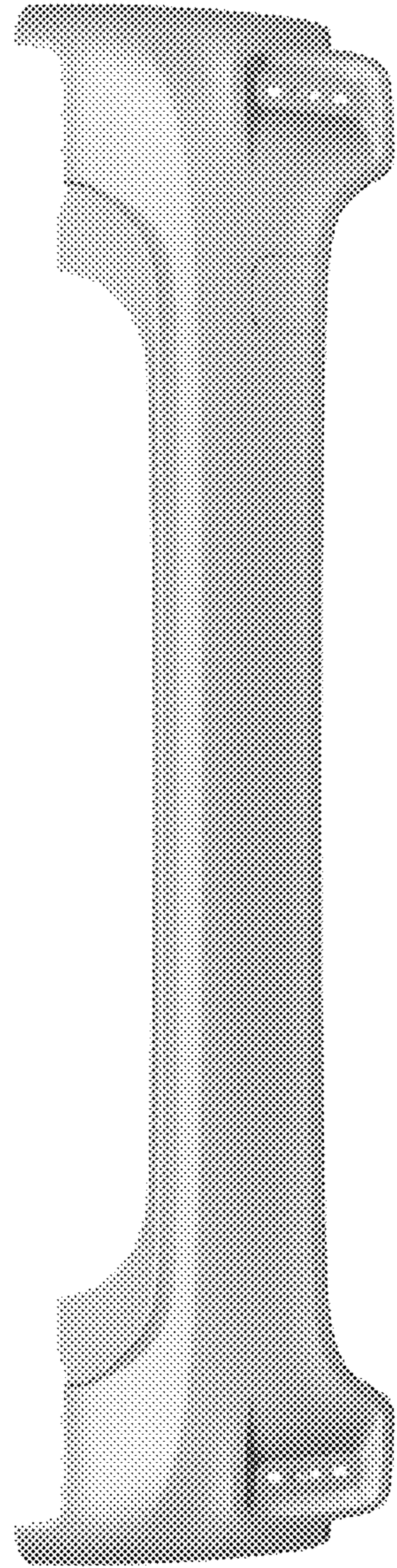


Fig. 1

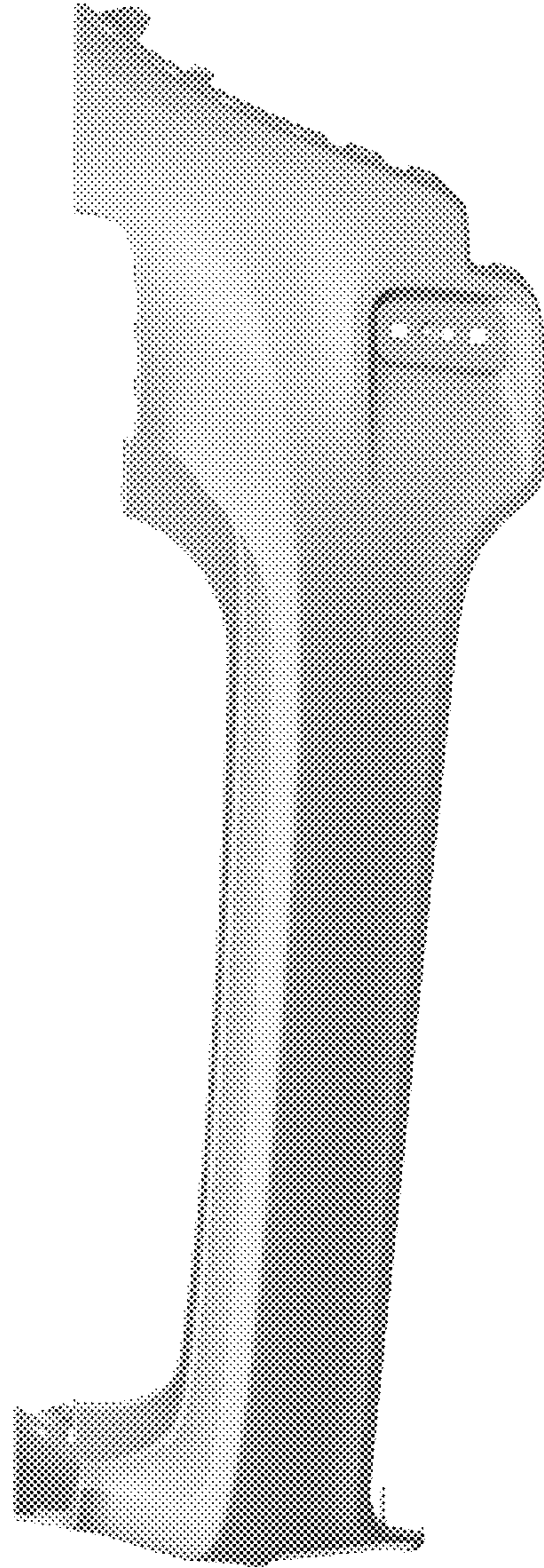


Fig. 2

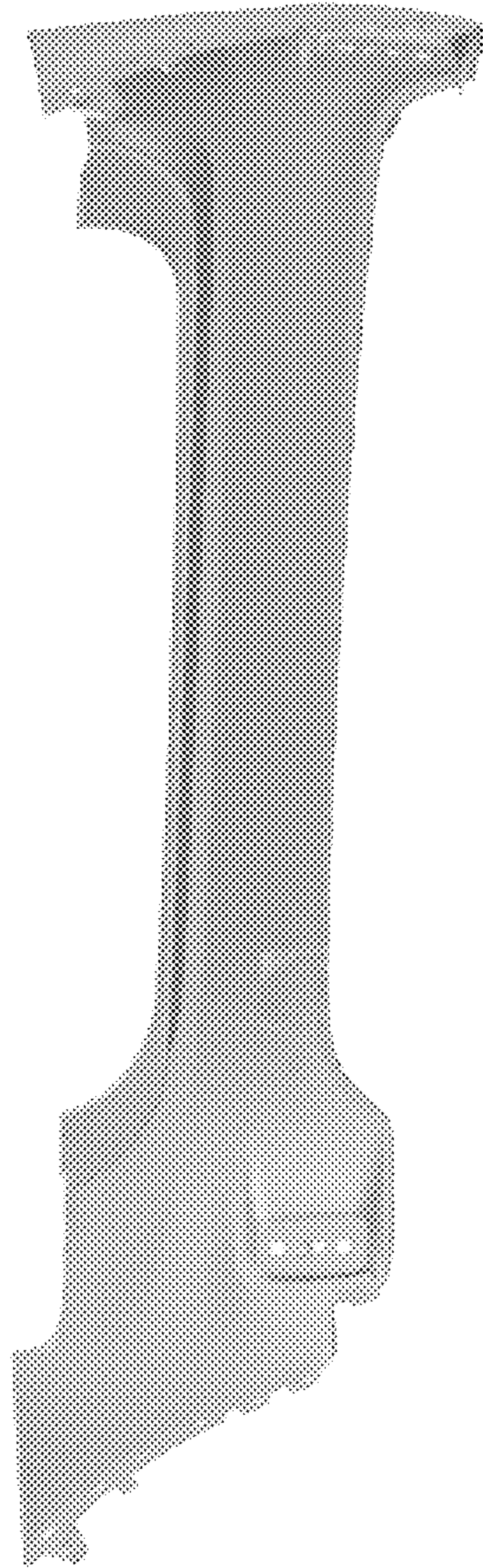


Fig. 3

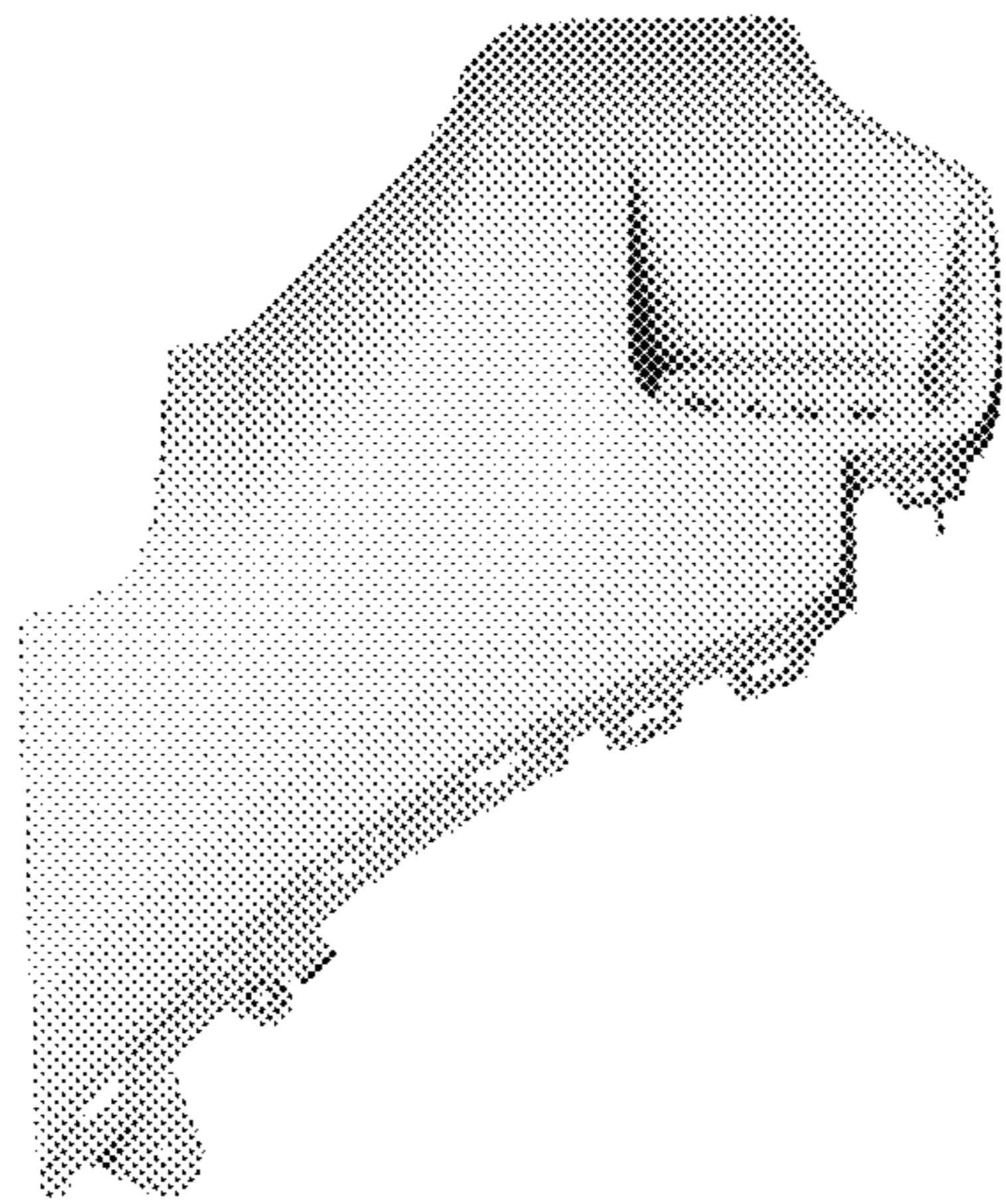


Fig. 4

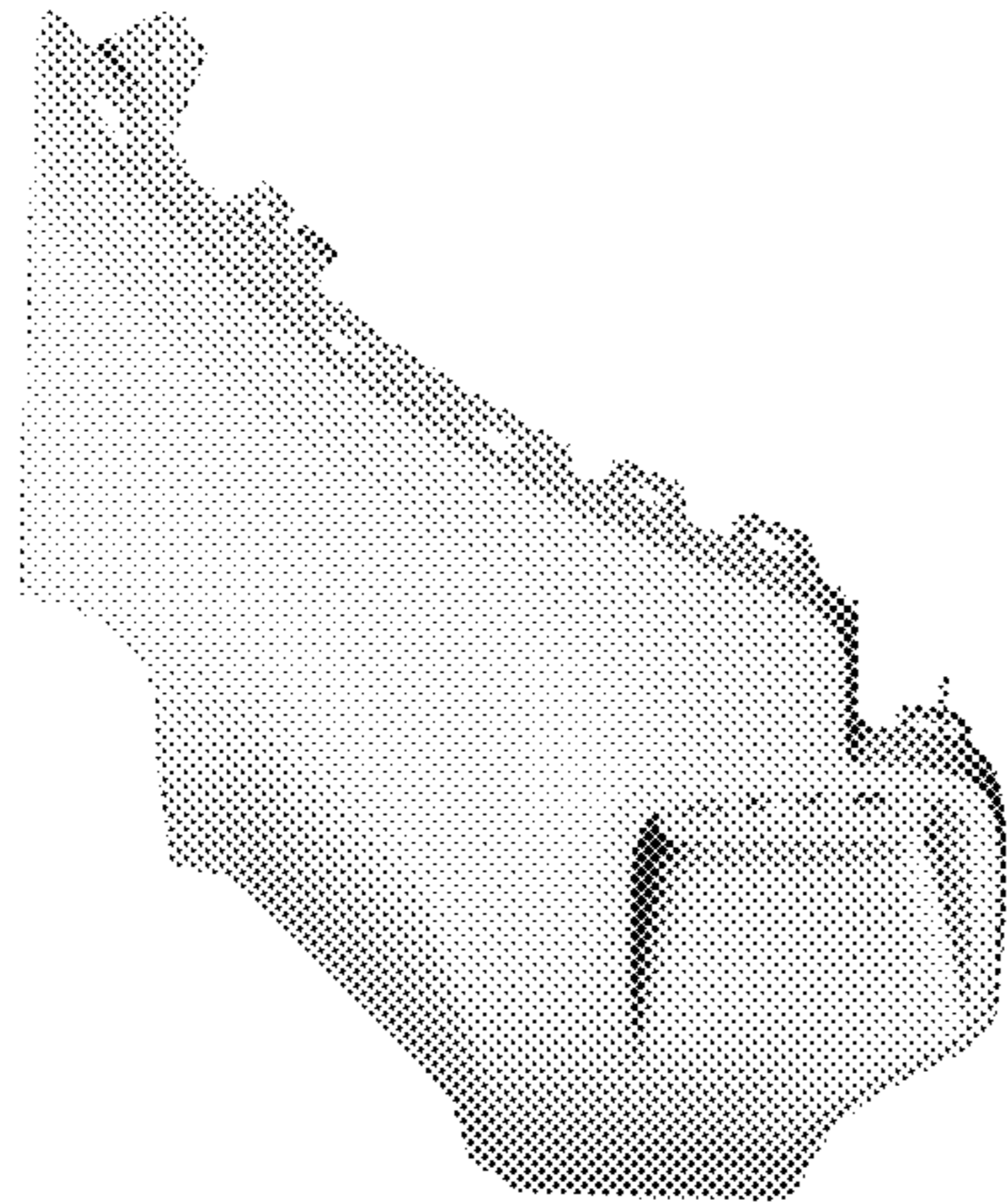


Fig. 5

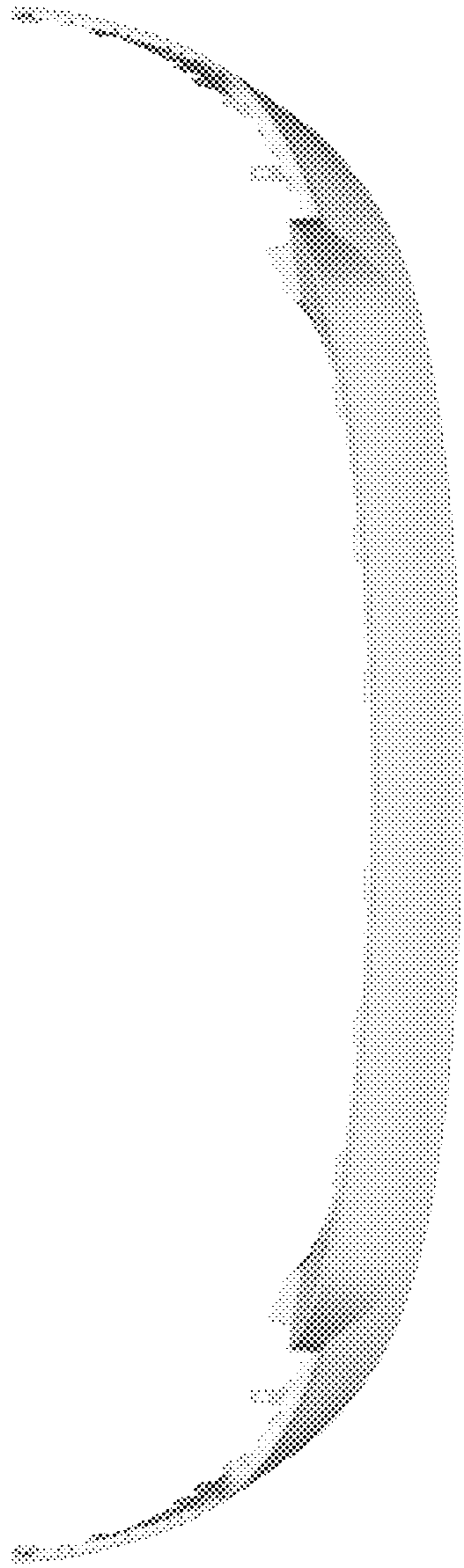


Fig. 6

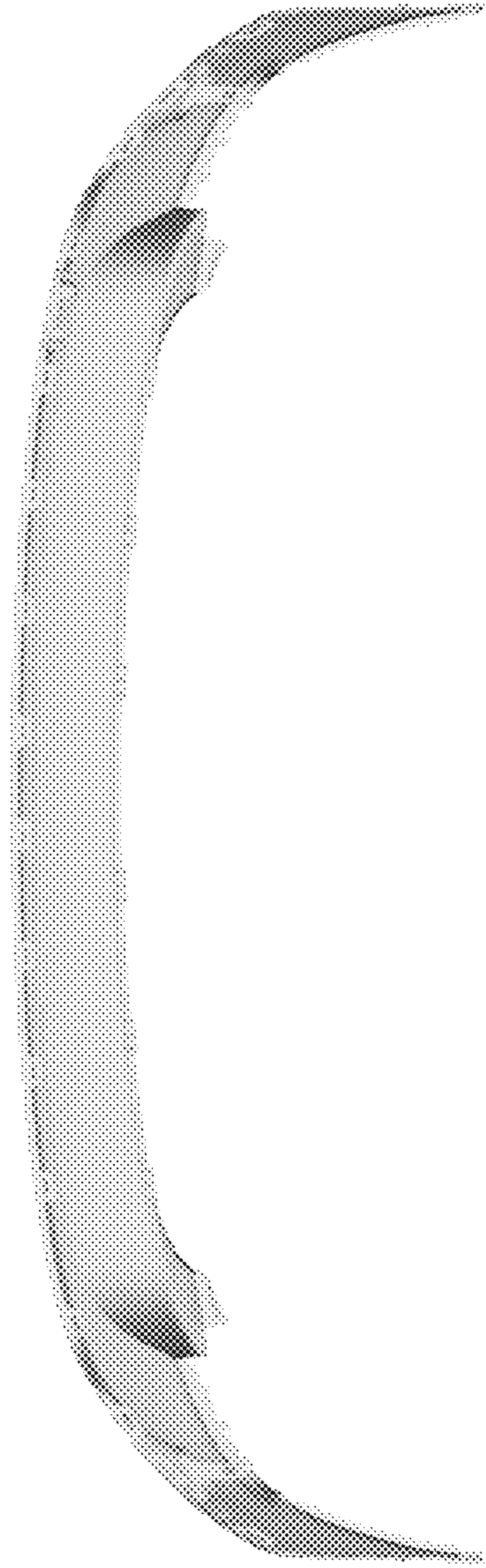


Fig. 7

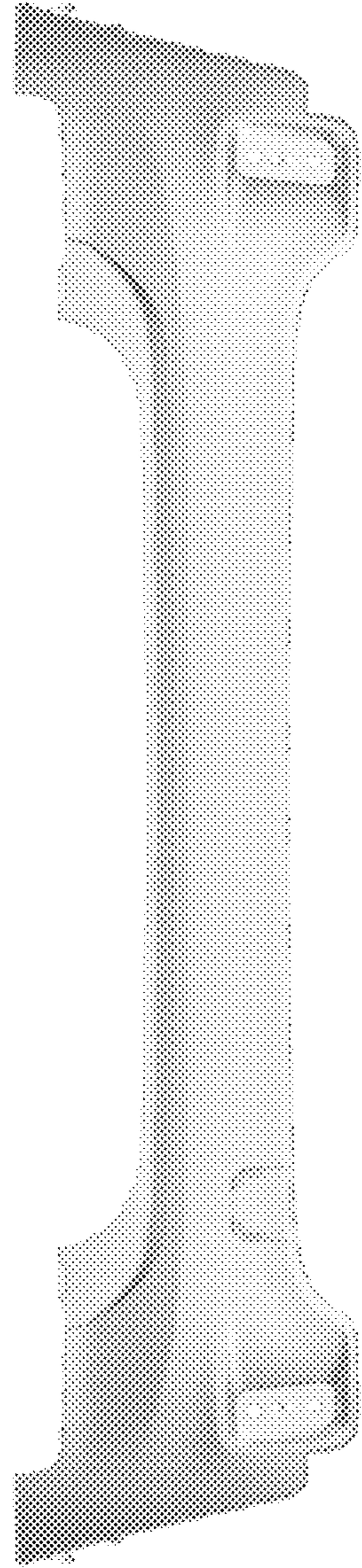


Fig. 8