



US00D814985S

(12) **United States Design Patent** (10) **Patent No.:** **US D814,985 S**
Peat (45) **Date of Patent:** **** Apr. 10, 2018**

(54) **REAR BUMPER FOR A VEHICLE**
(71) Applicant: **Jaguar Land Rover Limited**, Whitley, Coventry (GB)
(72) Inventor: **Anthony Peat**, Coventry (GB)
(73) Assignee: **Jaguar Land Rover Limited**, Whitley, Coventry (GB)

(**) Term: **15 Years**
(21) Appl. No.: **29/579,533**

(22) Filed: **Sep. 30, 2016**

(30) **Foreign Application Priority Data**

Apr. 25, 2016 (EM) 003085992-0001

(51) **LOC (11) Cl.** **12-16**

(52) **U.S. Cl.**
USPC **D12/169**

(58) **Field of Classification Search**
USPC D12/169, 216, 90-92, 86, 171, 196, 163;
293/102, 113, 115, 117, 120; 296/180.1,
296/180.2
CPC B60R 19/02; B60R 19/04; B62D 25/08
See application file for complete search history.

(56) **References Cited**

U.S. PATENT DOCUMENTS

D653,593 S *	2/2012	Nishihama	D12/169
D663,658 S *	7/2012	Karras	D12/169
D671,049 S *	11/2012	Davidson	D12/169
D673,088 S *	12/2012	Thompson	D12/169
D692,809 S *	11/2013	Uchino	D12/169
D711,294 S *	8/2014	Karras	D12/169
D721,022 S *	1/2015	Hanaoka	D12/169
D722,926 S *	2/2015	Kato	D12/169
D734,222 S *	7/2015	Duff	D12/169

D738,271 S *	9/2015	Glover	D12/169
D743,855 S *	11/2015	Miyazawa	D12/169
D744,913 S *	12/2015	Leclercq	D12/169
D746,738 S *	1/2016	Wolff	D12/169
D749,475 S *	2/2016	Battams	D12/169
D750,539 S *	3/2016	Iwauchi	D12/169
D763,747 S *	8/2016	Hammoud	D12/169
D764,986 S *	8/2016	Faghihzadeh	D12/169
D801,884 S *	11/2017	Buck	D12/169

* cited by examiner

Primary Examiner — Melody N Brown

(74) *Attorney, Agent, or Firm* — Wood Herron & Evans LLP

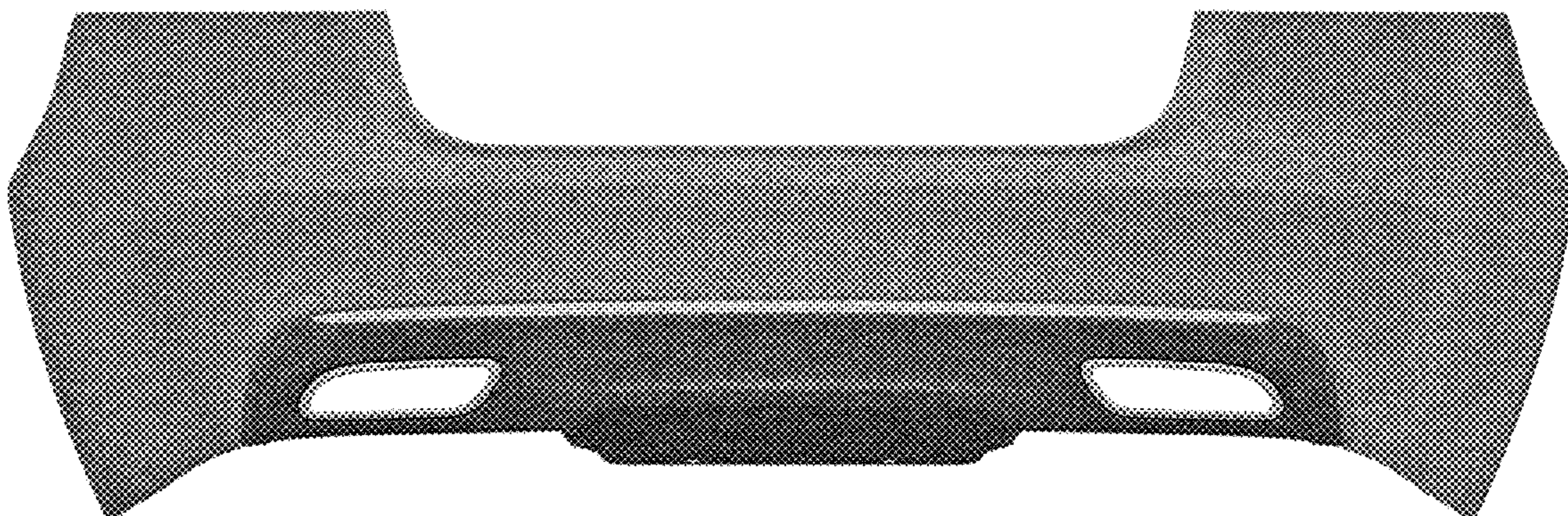
(57) **CLAIM**

The ornamental design for a rear bumper for a vehicle, as shown and described.

DESCRIPTION

FIG. 1 is a front and left side perspective view of a rear bumper for a vehicle showing my new design; FIG. 2 is a rear and right side perspective view thereof; FIG. 3 is a front view thereof. FIG. 4 is a rear view thereof. FIG. 5 is a left side view thereof. FIG. 6 is a right side view thereof. FIG. 7 is a top view thereof; and, FIG. 8 is another front and left side perspective view of the rear bumper shown in FIG. 1, with the rear bumper mounted on a vehicle shown in de-emphasized and half-tone portions so as to illustrate environmental structures for the vehicle rear. These portions form no part of the claimed invention. More particularly, in FIG. 8, the rear bumper of the present invention is shown within the broken lines, and any elements shown outside of the broken lines form no part of the claimed invention, but are instead included to show environmental aspects of the claimed invention.

1 Claim, 7 Drawing Sheets



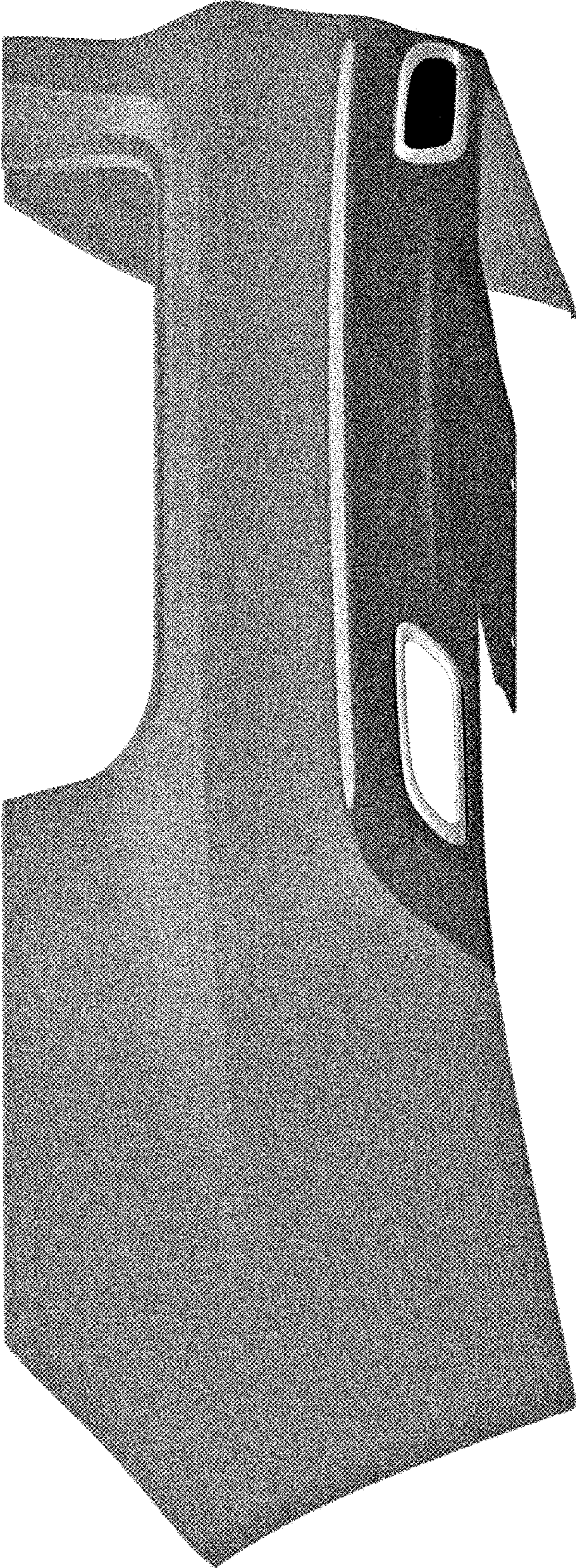


FIG. 1

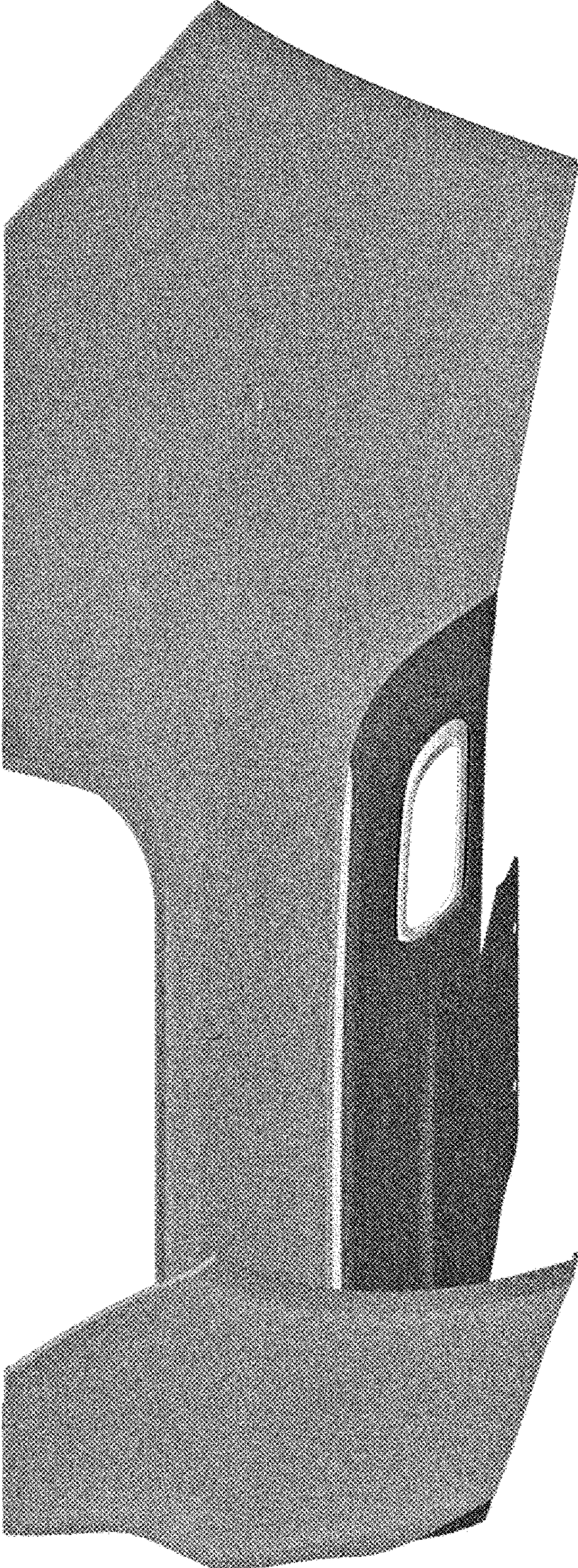


FIG. 2

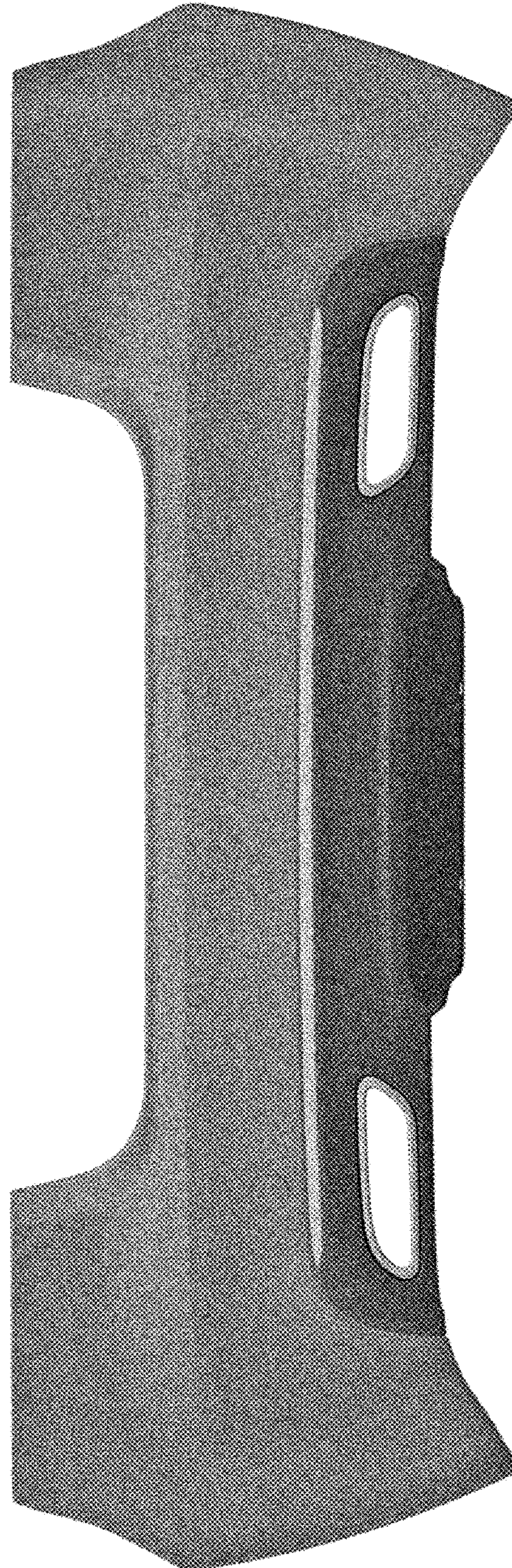


FIG. 3

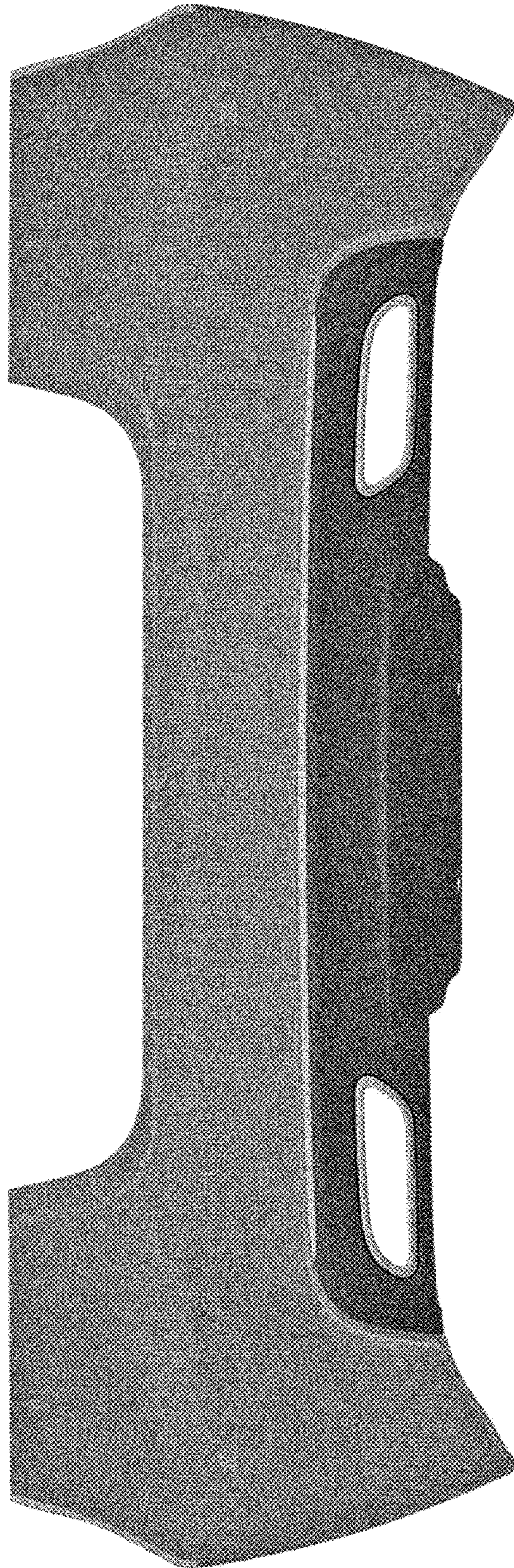


FIG. 4

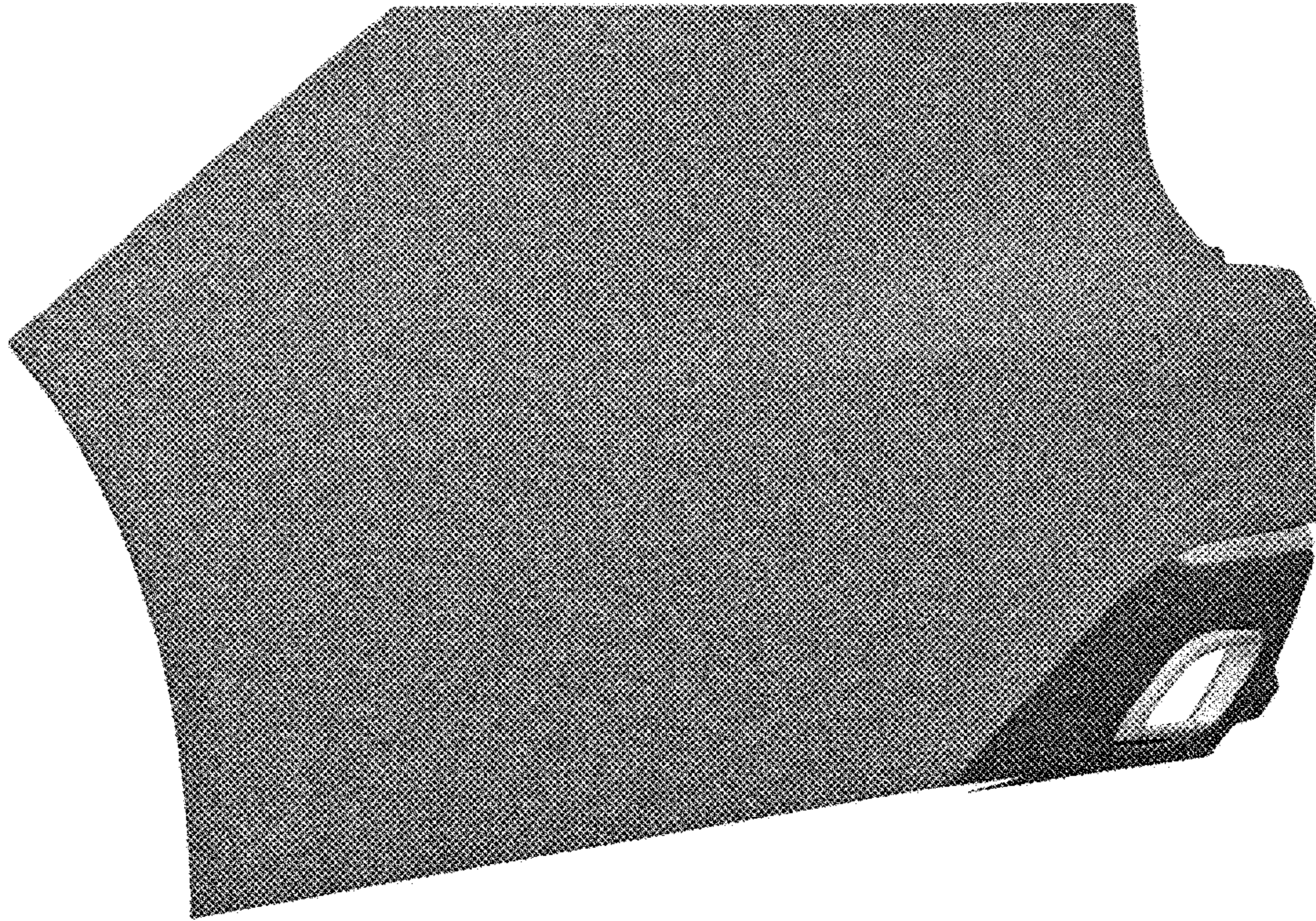


FIG. 5

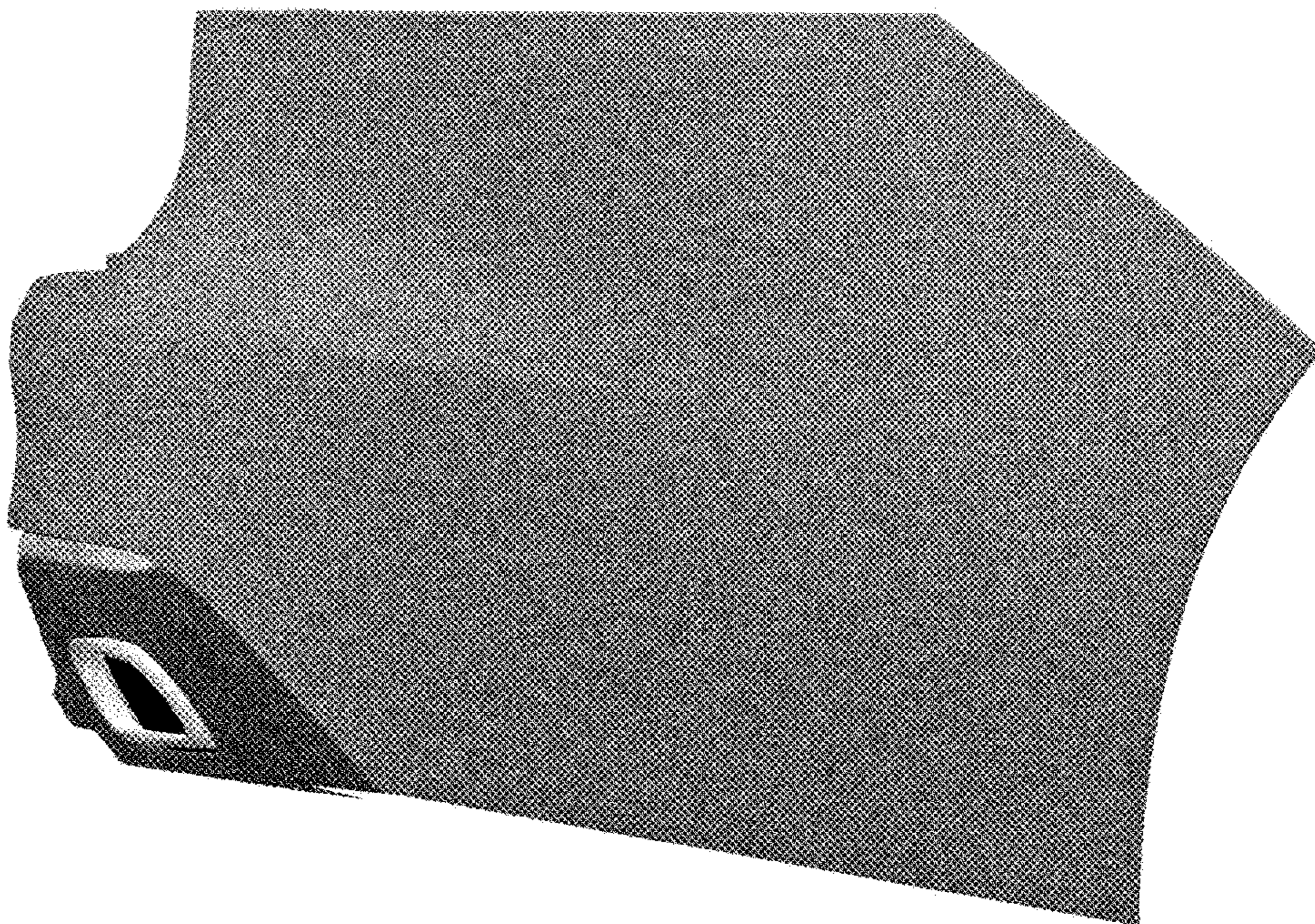


FIG. 6

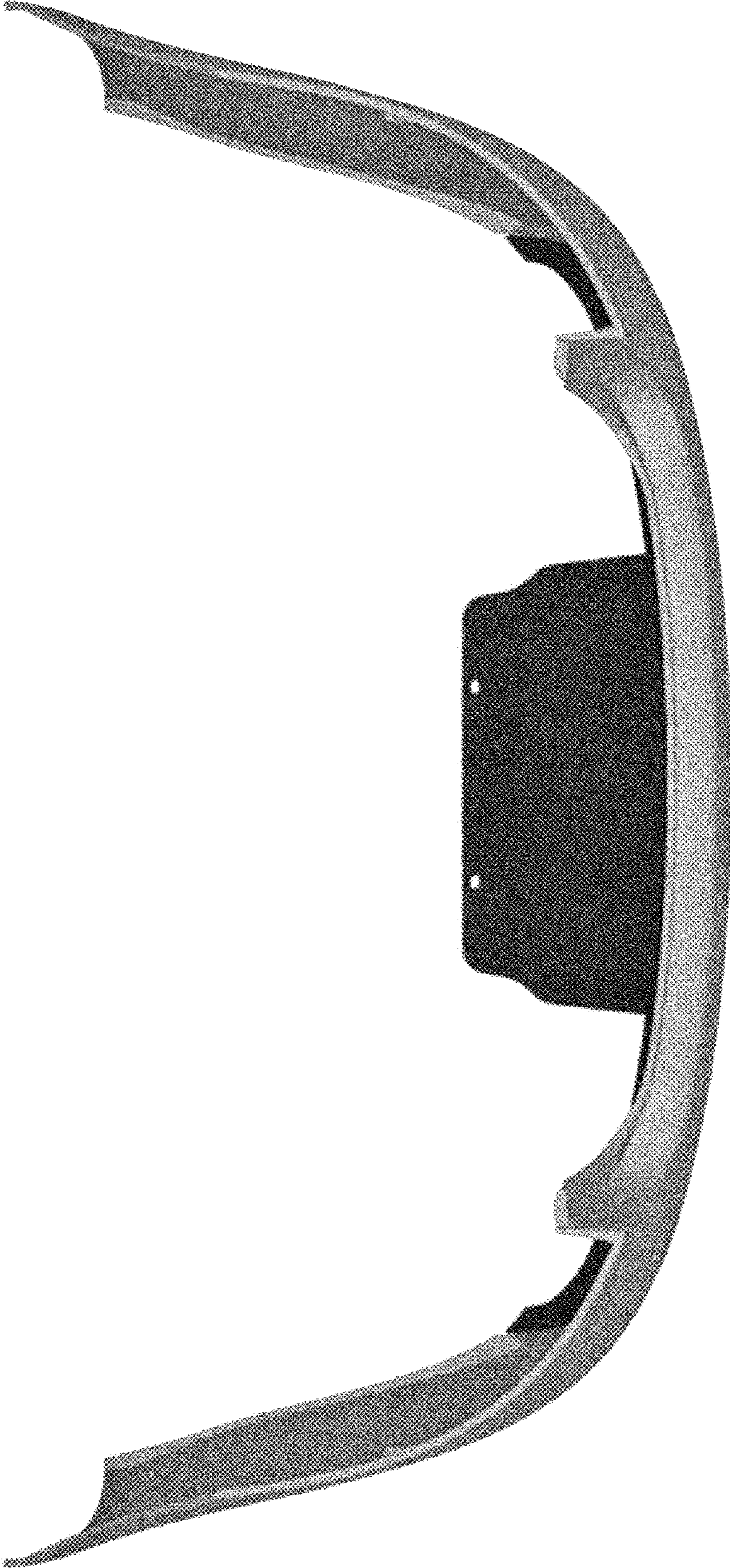


FIG. 7

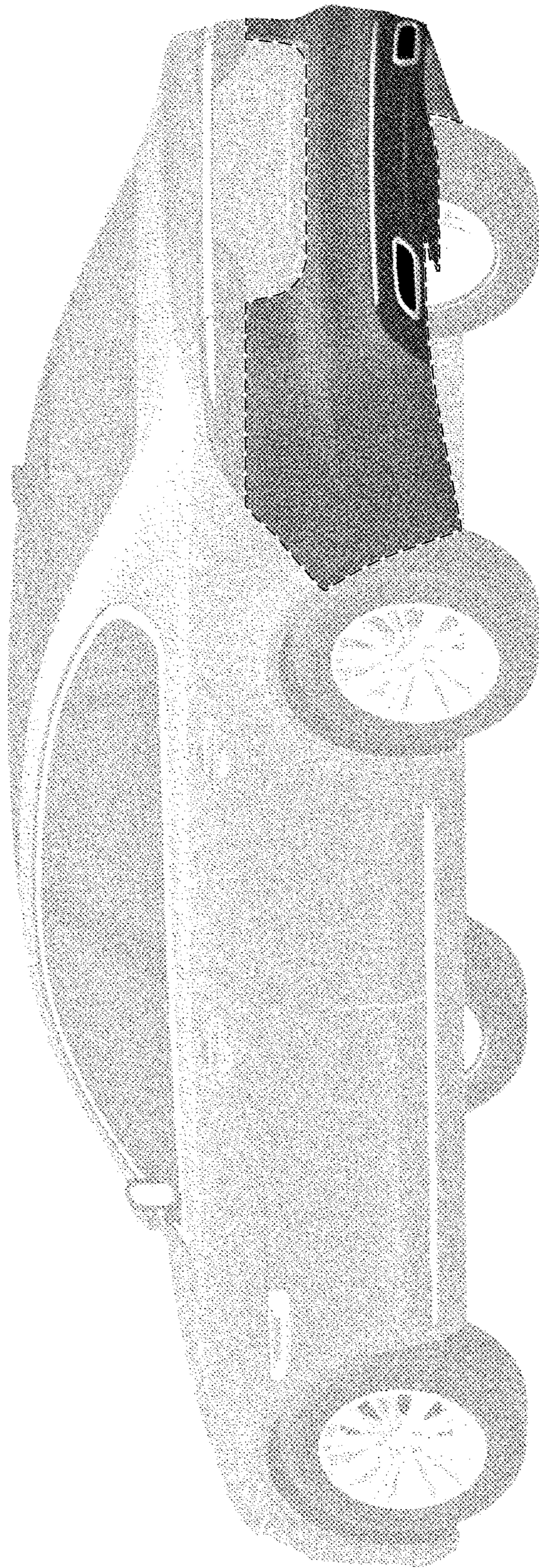


FIG. 8