



US00D814984S

(12) **United States Design Patent** (10) **Patent No.:** **US D814,984 S**
Wymore (45) **Date of Patent:** **** Apr. 10, 2018**

(54) **FRONT VEHICLE BUMPER**
(71) Applicant: **IDDEA CALIFORNIA, LLC**, Brea, CA (US)
(72) Inventor: **Timothy J. Wymore**, Yorba Linda, CA (US)
(73) Assignee: **Iddea California, LLC**, Brea, CA (US)
(**) Term: **15 Years**
(21) Appl. No.: **29/568,761**
(22) Filed: **Jun. 21, 2016**
(51) **LOC (11) Cl.** **12-16**
(52) **U.S. Cl.**
USPC **D12/169; D12/167**
(58) **Field of Classification Search**
USPC D12/86, 90, 91, 92, 163, 164, 169, 171, D12/196, 216, 167
CPC B60R 19/02; B60R 19/18; B60R 19/24; B60R 19/56; B60R 2019/007; B62D 25/0845
See application file for complete search history.

D360,865 S * 8/1995 Hanson D12/169
5,823,585 A 10/1998 Tanguay
D432,469 S * 10/2000 Nelson D12/169
D454,098 S * 3/2002 McGuinness D12/171
D455,988 S * 4/2002 McGuinness D12/171
D506,421 S * 6/2005 Newbill D12/169
D590,752 S * 4/2009 Williams D12/169
7,703,834 B1 * 4/2010 Hardy B60R 9/06 296/102
8,011,704 B2 9/2011 Nees et al.
D713,305 S * 9/2014 Sperling D12/169
8,857,684 B1 10/2014 Calvert
D737,181 S * 8/2015 Smith D12/169
D744,384 S * 12/2015 Harriton D12/169
D751,012 S * 3/2016 Hare D12/169
D760,133 S * 6/2016 Bennett D12/171
D761,166 S * 7/2016 Hare D12/169
D763,745 S * 8/2016 Lee, IV D12/169
D771,537 S * 11/2016 Hare D12/169
D775,016 S * 12/2016 Reynolds D12/171
D776,582 S * 1/2017 Bennett D12/169

(Continued)

Primary Examiner — Darlington Ly
(74) *Attorney, Agent, or Firm* — Stetina Brunda Garred and Brucker

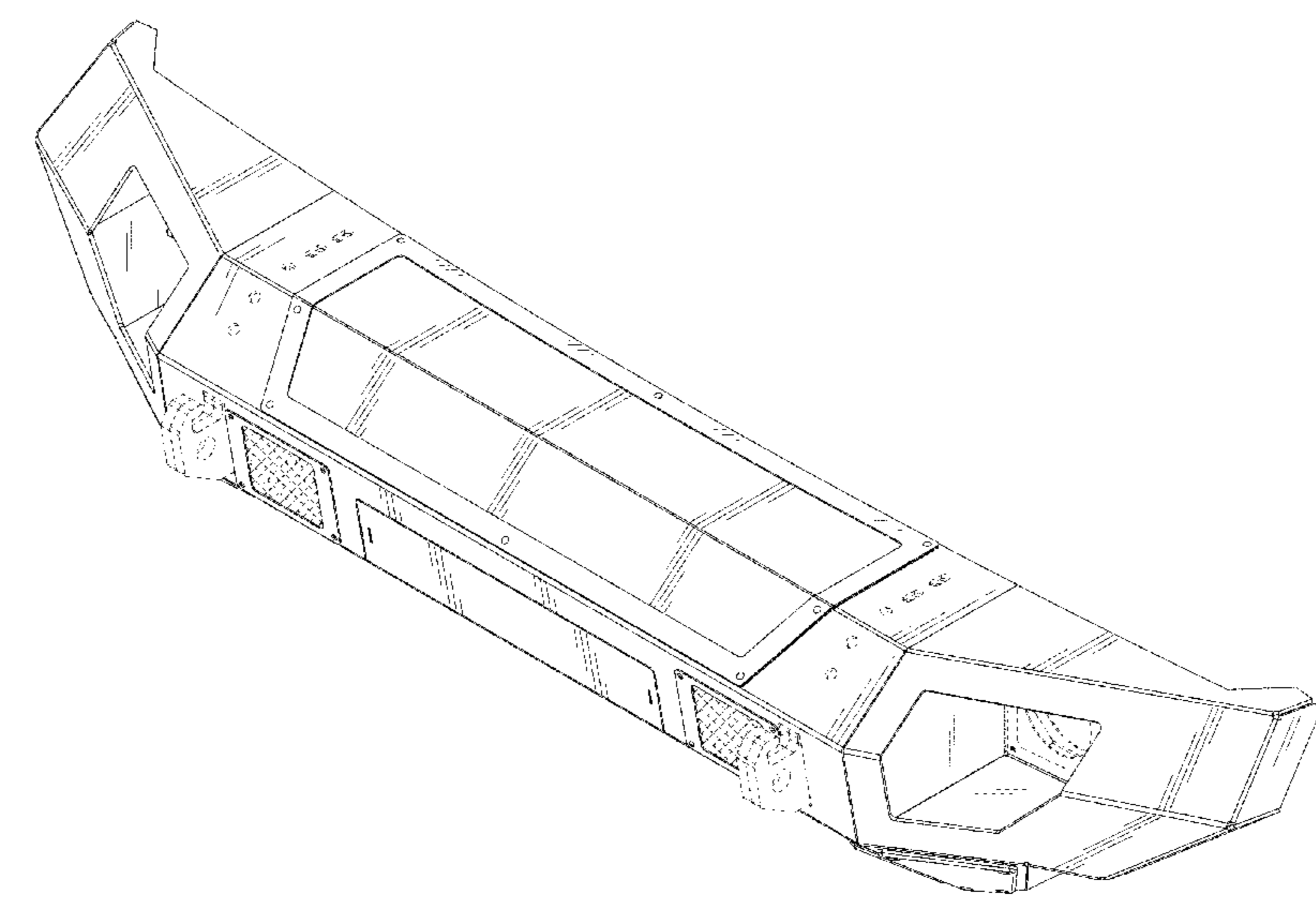
(57) **CLAIM**
The ornamental design for a front vehicle bumper, as shown and described.

(56) **References Cited**
U.S. PATENT DOCUMENTS
3,471,070 A 10/1969 Olson
3,501,170 A 3/1970 Valle
3,606,385 A 9/1971 Johannes
3,614,136 A 10/1971 Dent et al.
3,682,360 A 8/1972 Fletcher et al.
4,138,152 A 2/1979 Prue
4,570,986 A 2/1986 Sams
4,674,782 A 6/1987 Helber
4,676,415 A 6/1987 Kennedy
D300,128 S * 3/1989 Brennan D12/169
5,016,932 A 5/1991 Carter
5,135,274 A 8/1992 Dodd
5,364,142 A 11/1994 Coiner

DESCRIPTION

FIG. 1 is a front perspective view of a front vehicle bumper showing my new design;
FIG. 2 is a top plan view thereof;
FIG. 3 is a left side elevation view thereof;
FIG. 4 is a right side elevation view thereof; and,
FIG. 5 is a front elevational view thereof.
The broken lines in the drawings illustrate portions of the front vehicle bumper that does not form part of the claimed design.

1 Claim, 2 Drawing Sheets



(56)

References Cited

U.S. PATENT DOCUMENTS

D777,619 S * 1/2017 Barajas D12/167
D792,817 S * 7/2017 McMath D12/169
2006/0192398 A1* 8/2006 Buniewicz B60R 19/04
293/102
2009/0302623 A1* 12/2009 Finney B60R 19/52
293/115
2016/0121832 A1 5/2016 Hare
2016/0144815 A1 5/2016 Harris et al.
2016/0221520 A1 8/2016 Subramanian

* cited by examiner

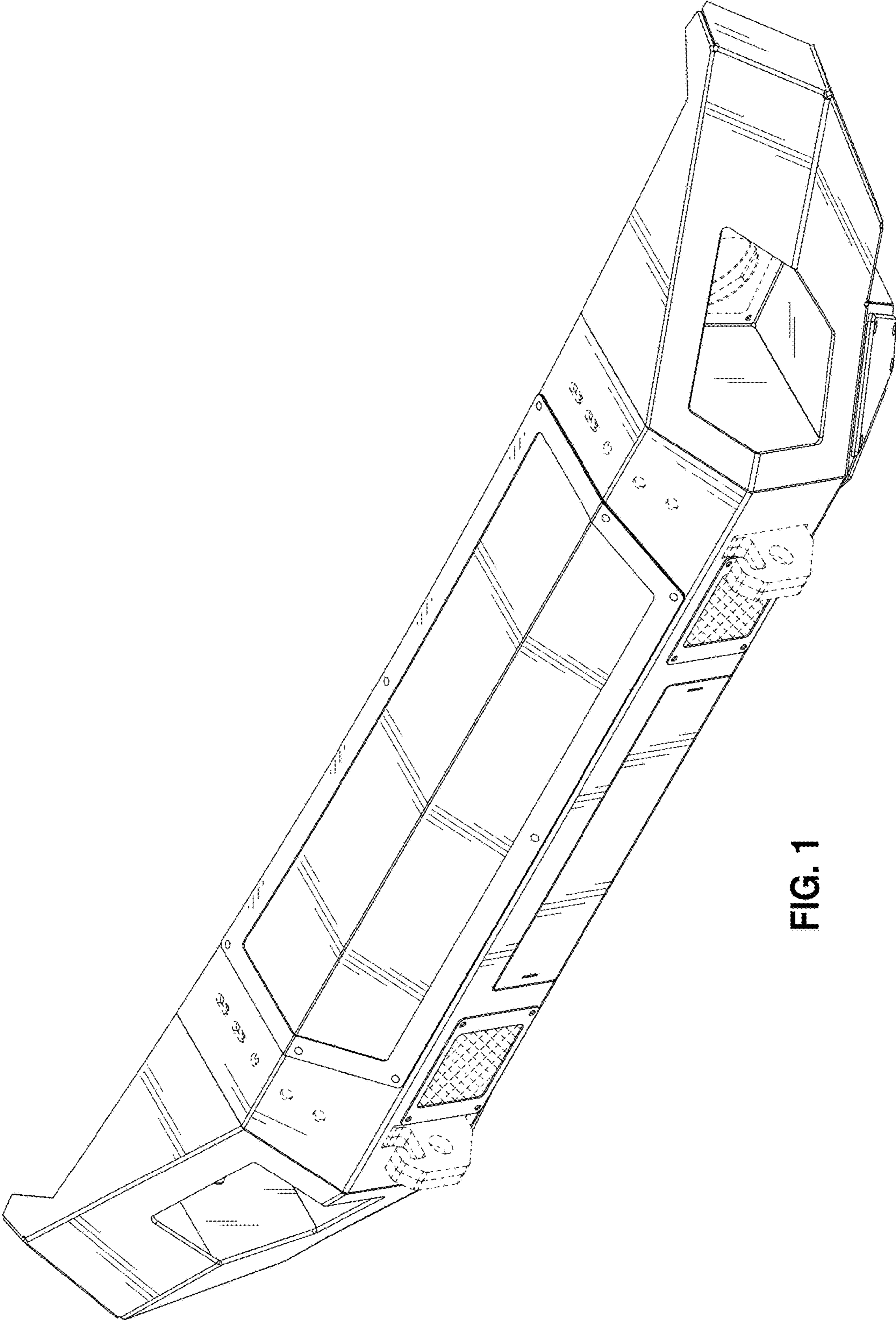


FIG. 1

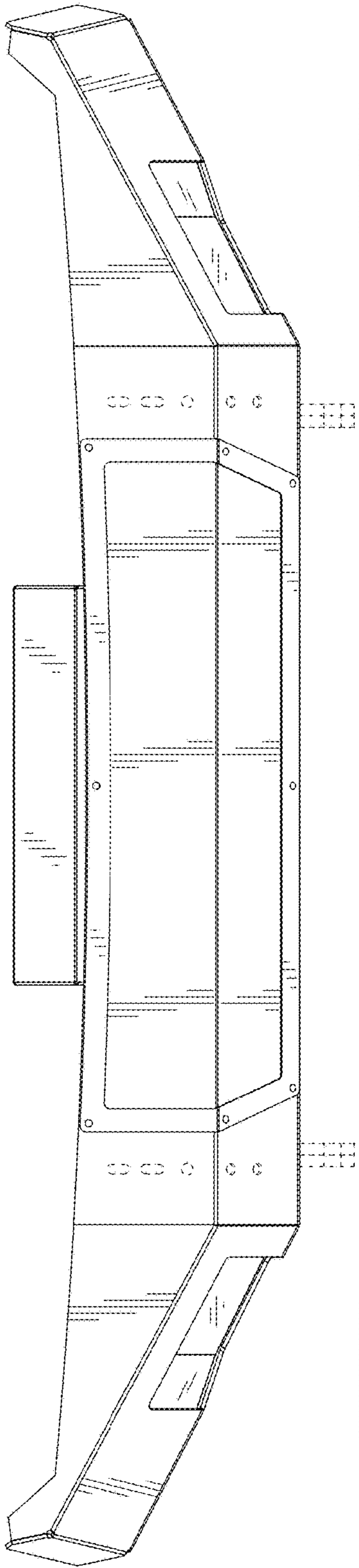


FIG. 2

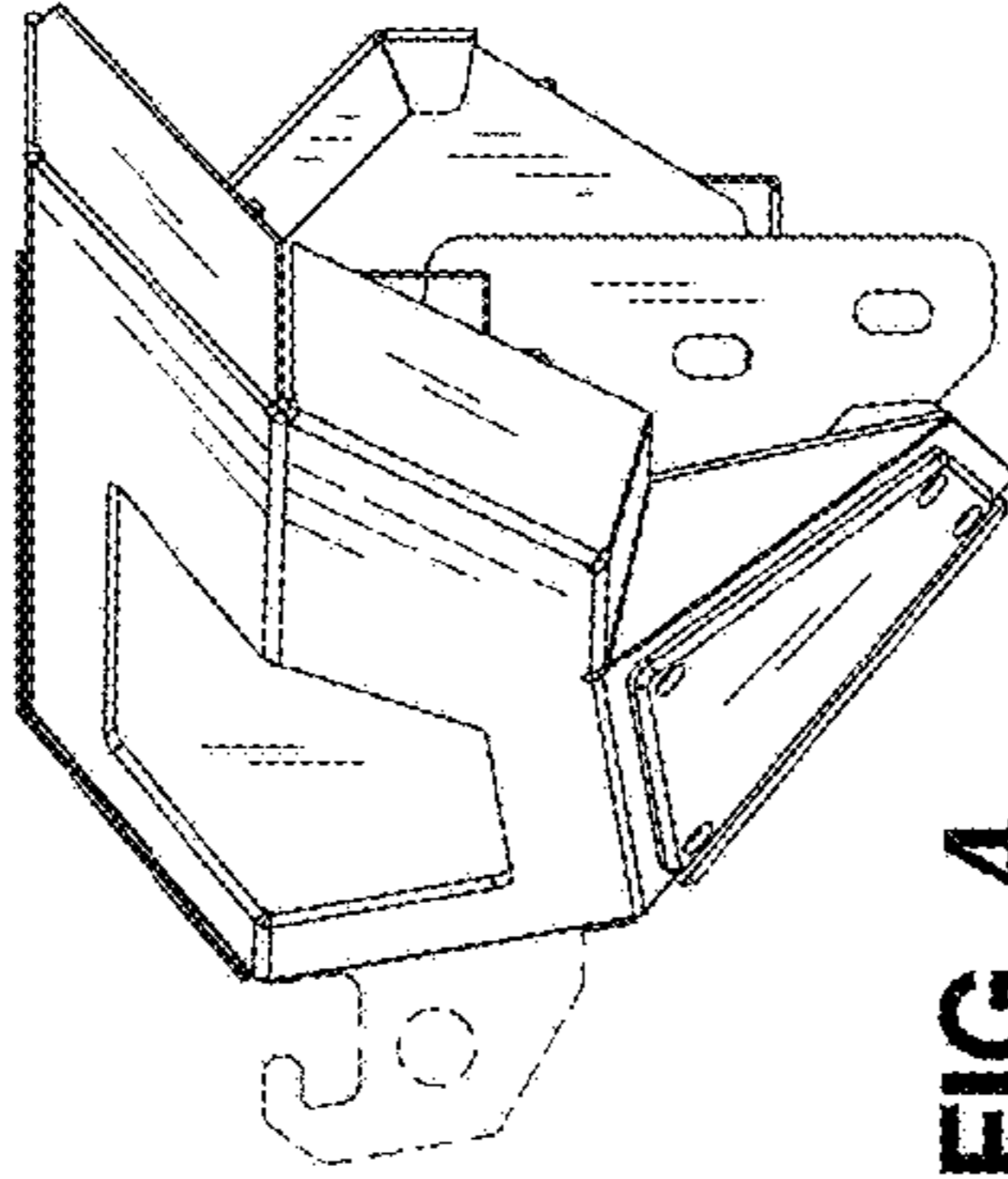


FIG. 4

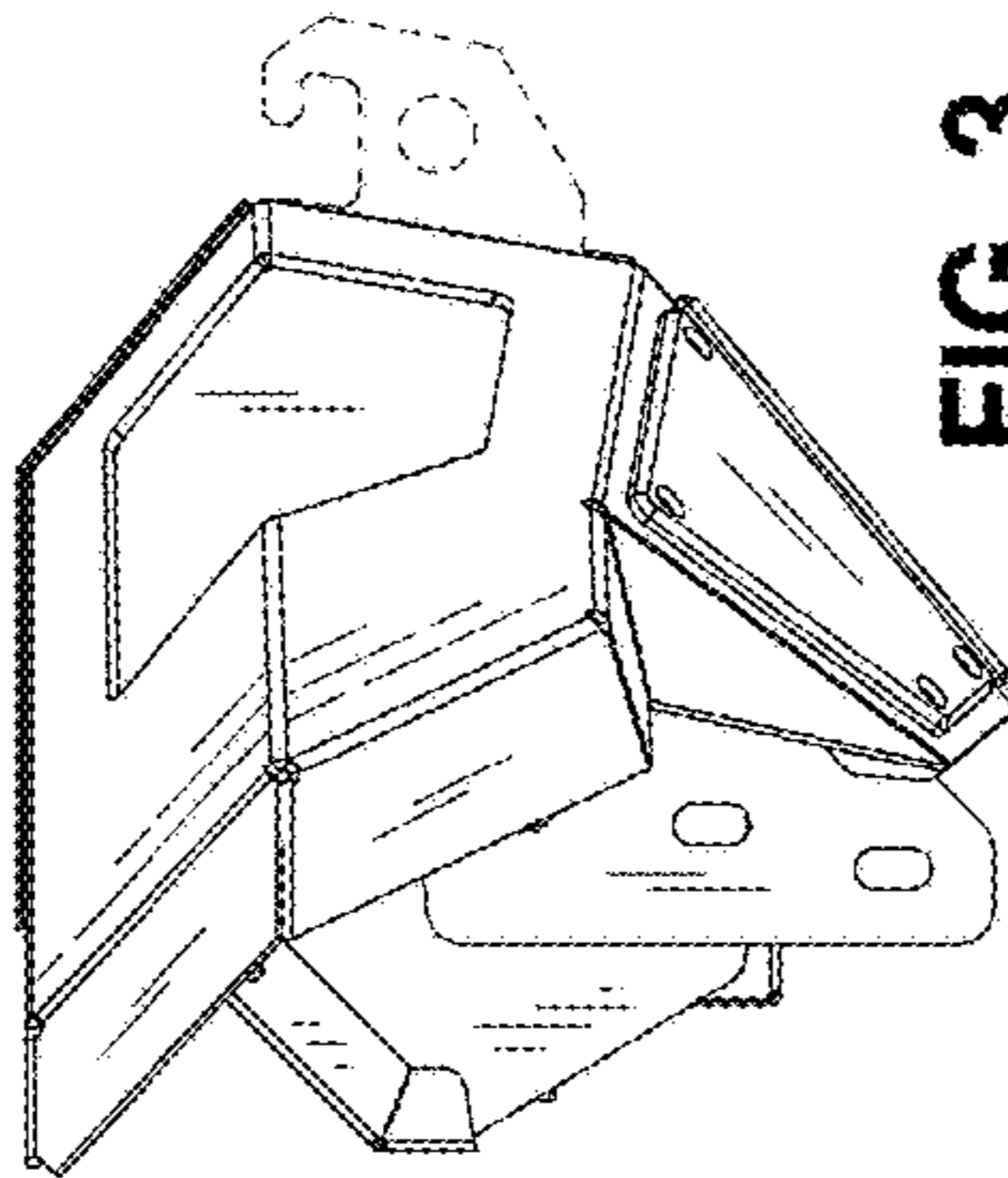


FIG. 3

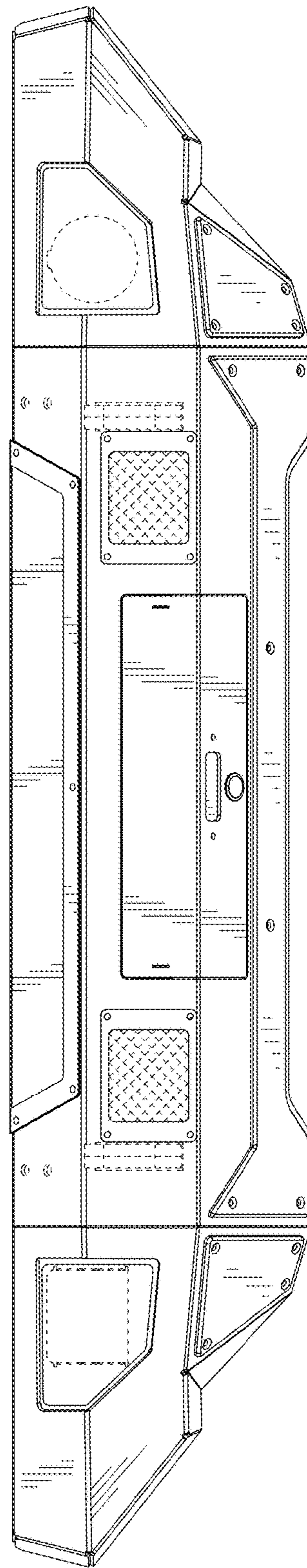


FIG. 5