



US00D814979S

(12) **United States Design Patent**  
**Cantuern et al.**

(10) **Patent No.:** **US D814,979 S**  
(45) **Date of Patent:** **\*\* Apr. 10, 2018**

(54) **SUSPENSION AXLE**  
(71) Applicant: **AxleTech International IP Holdings, LLC**, Troy, MI (US)  
(72) Inventors: **Lilian Cantuern**, Saint Etienne (FR); **Philippe Mella**, Saint Chamond (FR); **Yannick Berthet**, Lochieu (FR)  
(73) Assignee: **AXLETECH INTERNATIONAL IP HOLDINGS, LLC**, Troy, MI (US)

5,833,026 A \* 11/1998 Zetterstrom ..... B60G 3/202 180/360  
6,516,914 B1 2/2003 Andersen et al.  
6,752,235 B1 6/2004 Bell et al.  
(Continued)

**FOREIGN PATENT DOCUMENTS**

DE 1895981 U 7/1964  
DE 3136305 A1 3/1983  
(Continued)

**OTHER PUBLICATIONS**

English-language Abstract for DE3136305A1 extracted from www.espacenet.com on Dec. 2, 2016, 2 pages.  
(Continued)

*Primary Examiner* — Michael A. Pratt  
(74) *Attorney, Agent, or Firm* — Howard & Howard Attorneys PLLC

(\*\*) Term: **15 Years**  
(21) Appl. No.: **29/570,762**  
(22) Filed: **Jul. 12, 2016**  
(30) **Foreign Application Priority Data**  
Jun. 6, 2016 (EM) ..... 003174473  
(51) **LOC (11) Cl.** ..... **12-16**  
(52) **U.S. Cl.**  
USPC ..... **D12/160**  
(58) **Field of Classification Search**  
USPC ..... D12/159-160  
CPC ..... B60G 2200/10; B60G 2200/143; B60G 2200/156; B60G 2200/20; B60G 2200/21; B60G 2200/341; B60G 2204/1242; B60G 2300/026; F16H 57/0483; F16H 1/46; F16H 48/38; F16H 57/037; F16H 2057/02052; F16H 57/082  
See application file for complete search history.

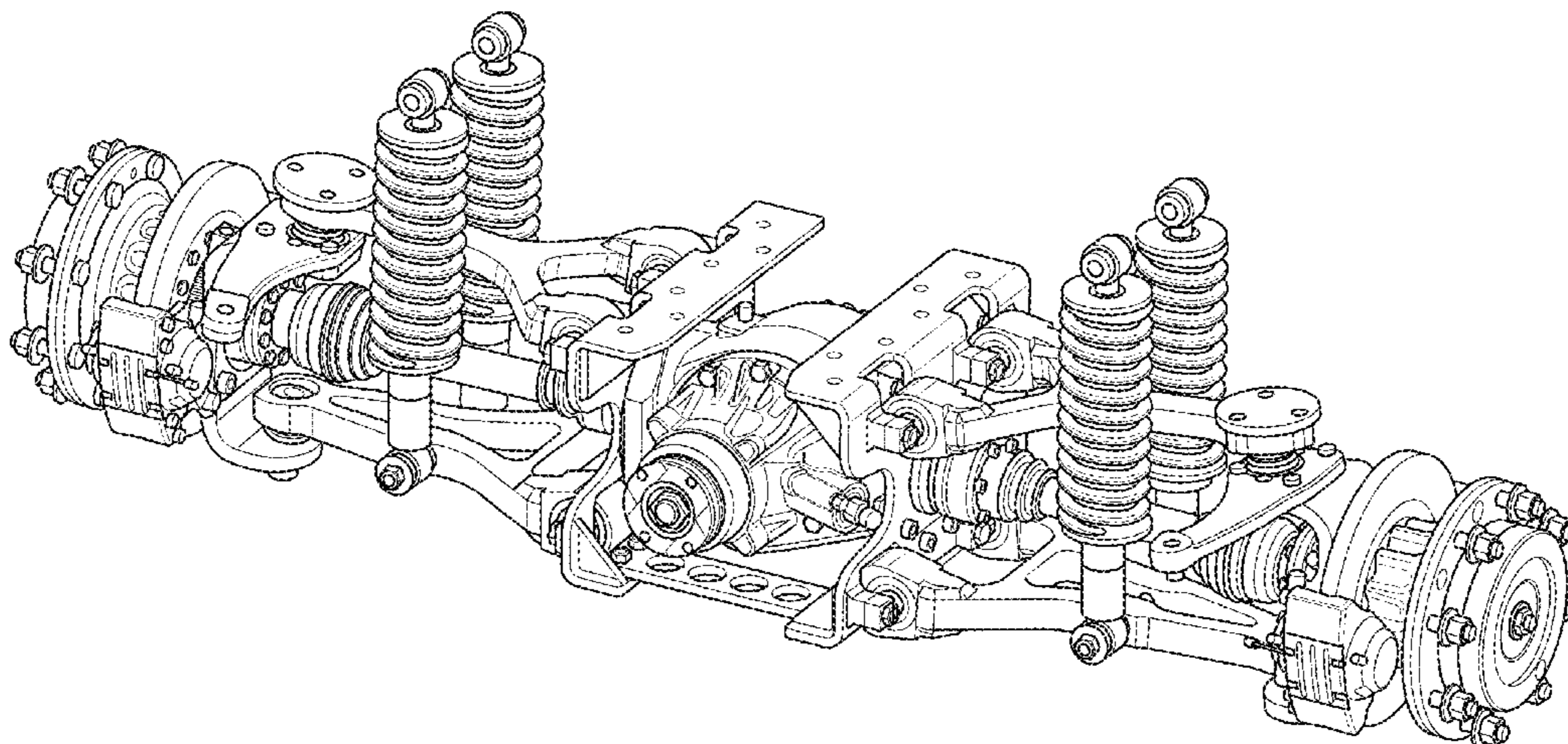
(57) **CLAIM**  
An ornamental design for a suspension axle, as shown and described.

**DESCRIPTION**

FIG. 1 is a front perspective view of an embodiment of a suspension axle.  
FIG. 2 is a front elevational view of the suspension axle of FIG. 1.  
FIG. 3 is a rear elevational view of the suspension axle of FIG. 1.  
FIG. 4 is a left side elevational view of the suspension axle of FIG. 1.  
FIG. 5 is a right side elevational view of the suspension axle of FIG. 1.  
FIG. 6 is a top plan view of the suspension axle of FIG. 1; and,  
FIG. 7 is a bottom plan view of the suspension axle of FIG. 1.

**1 Claim, 6 Drawing Sheets**

(56) **References Cited**  
**U.S. PATENT DOCUMENTS**  
1,731,962 A 10/1929 Wright  
3,420,327 A 1/1969 Nallinger et al.  
3,921,742 A 11/1975 May et al.  
4,613,009 A 9/1986 Nakamura et al.  
4,733,743 A 3/1988 Weiss et al.



(56)

References Cited

U.S. PATENT DOCUMENTS

6,755,429 B1 \* 6/2004 Buchwitz ..... B60G 3/18  
280/124.109

6,886,655 B2 5/2005 Varela et al.

6,964,317 B2 11/2005 Groves et al.

7,048,087 B2 5/2006 Brill

7,143,861 B2 \* 12/2006 Chu ..... B60G 3/20  
180/346

7,364,528 B2 4/2008 Brill

7,410,440 B2 \* 8/2008 Garcia ..... B60B 35/08  
29/401.1

7,819,411 B2 \* 10/2010 Eshelman ..... B60G 3/20  
280/124.135

7,959,170 B2 \* 6/2011 Mauz ..... B60G 3/20  
280/124.109

D666,949 S \* 9/2012 West ..... D12/160

8,276,927 B1 10/2012 Noble et al.

8,465,035 B2 \* 6/2013 Gander ..... B60B 35/04  
280/124.1

8,517,140 B2 \* 8/2013 West ..... B60G 3/20  
180/360

8,925,941 B2 1/2015 Cordier et al.

9,115,792 B2 \* 8/2015 Skotty ..... F16H 1/46

9,221,496 B2 \* 12/2015 Barr ..... B62D 21/11

9,267,596 B2 \* 2/2016 Trost ..... F16H 57/045

9,421,862 B2 \* 8/2016 Wang ..... F16H 57/037

9,429,222 B2 \* 8/2016 Bassi ..... B60K 17/36

9,517,658 B2 \* 12/2016 Chung ..... F16H 48/08

2006/0207384 A1 9/2006 Hardy et al.

2007/0235972 A1 10/2007 Schmitz

2009/0020973 A1 1/2009 Richardson

2009/0029821 A1 1/2009 Martin, III et al.

2009/0230650 A1 9/2009 Mayen et al.

2010/0007198 A1 1/2010 Armfield

2011/0079978 A1 4/2011 Schreiner

2011/0115258 A1 5/2011 Ohhama et al.

2011/0169240 A1 7/2011 Schreiner et al.

FOREIGN PATENT DOCUMENTS

EP 1627762 A2 2/2006

EP 1966029 B1 9/2010

EP 2581240 A1 4/2013

FR 2894927 A1 6/2007

WO 2006041441 A1 4/2006

OTHER PUBLICATIONS

English-language Abstract for FR2894927A1 extracted from www.espacenet.com on Dec. 2, 2016, 2 pages.

Axletech International, ISAS™ 2000 Series, Sep. 2015, 2 pages.

Axletech International, ISAS™ 3000 Series, 2014, 2 pages.

Axletech International, ISAS™ 4000 Series, 2014, 2 pages.

\* cited by examiner

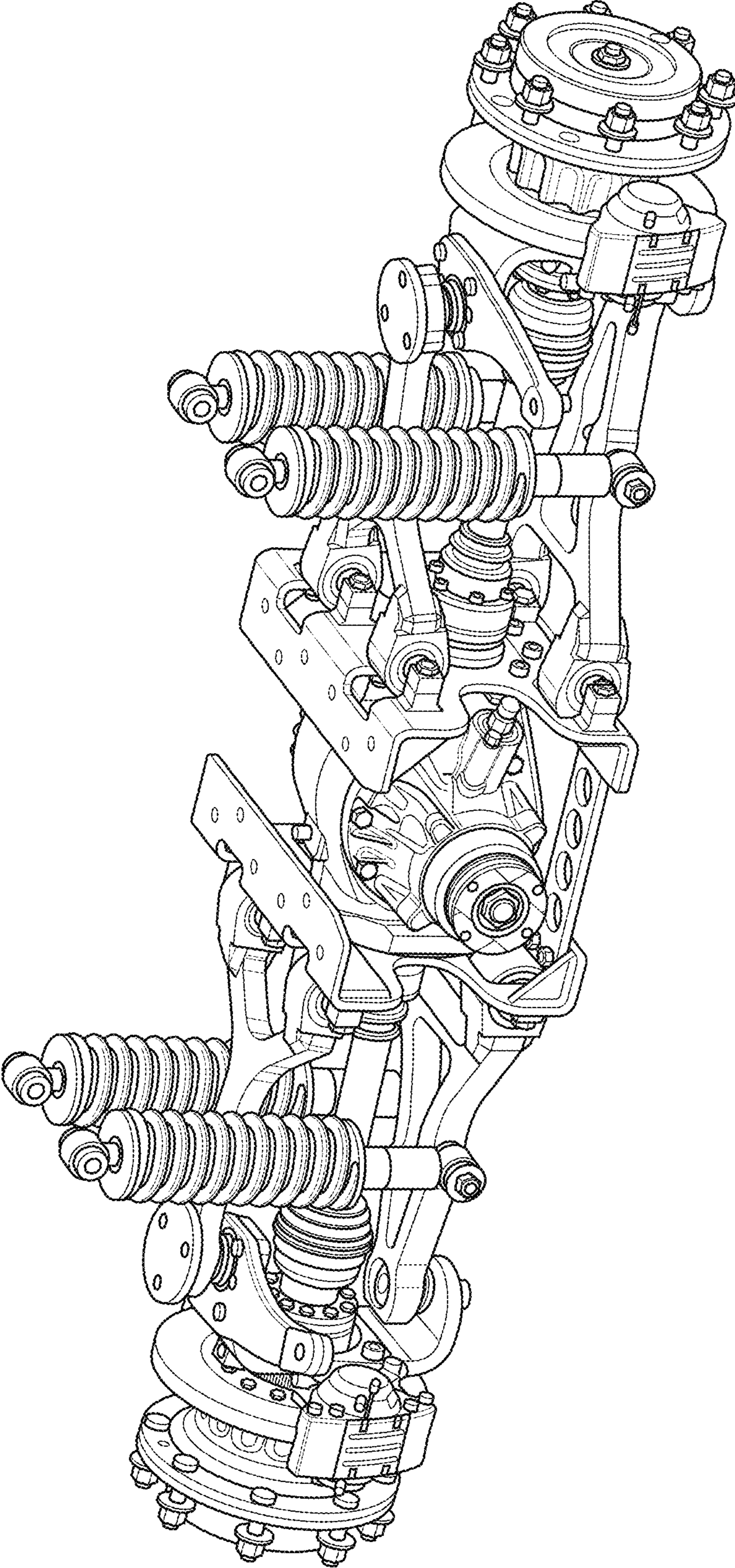


FIG. 1

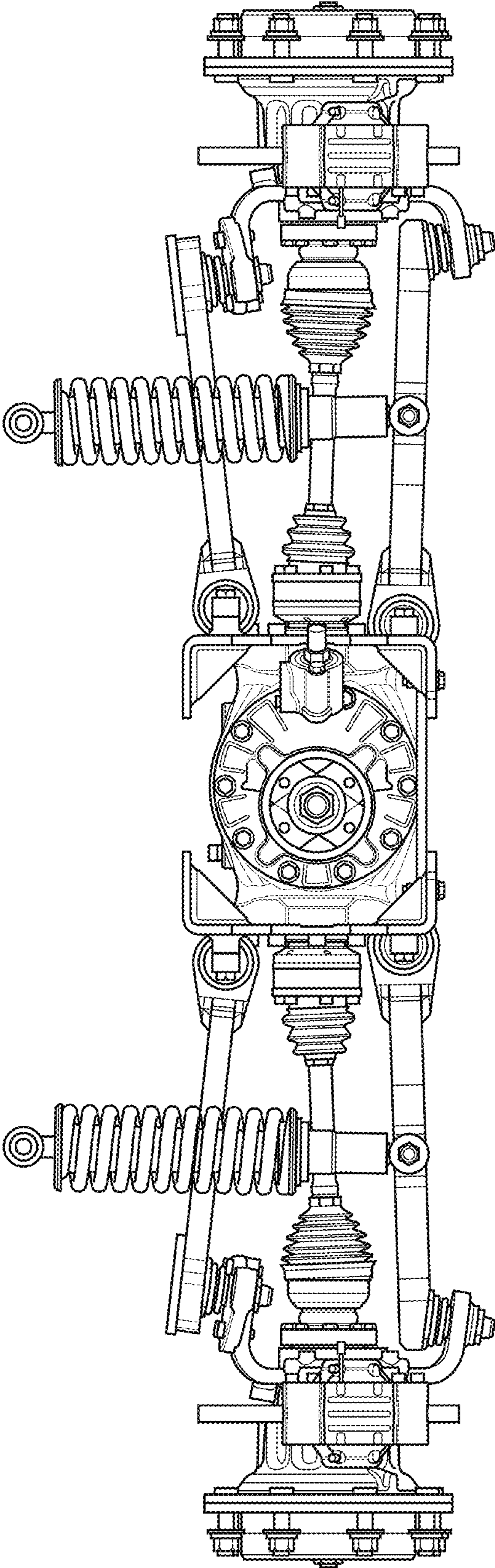


FIG. 2

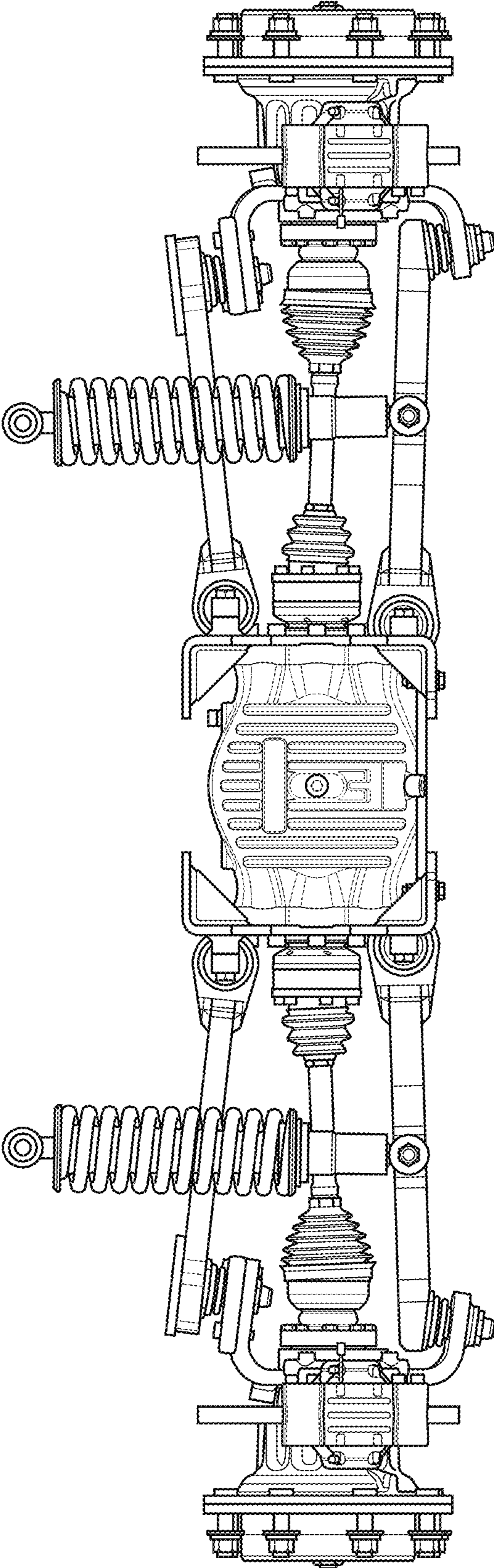


FIG. 3

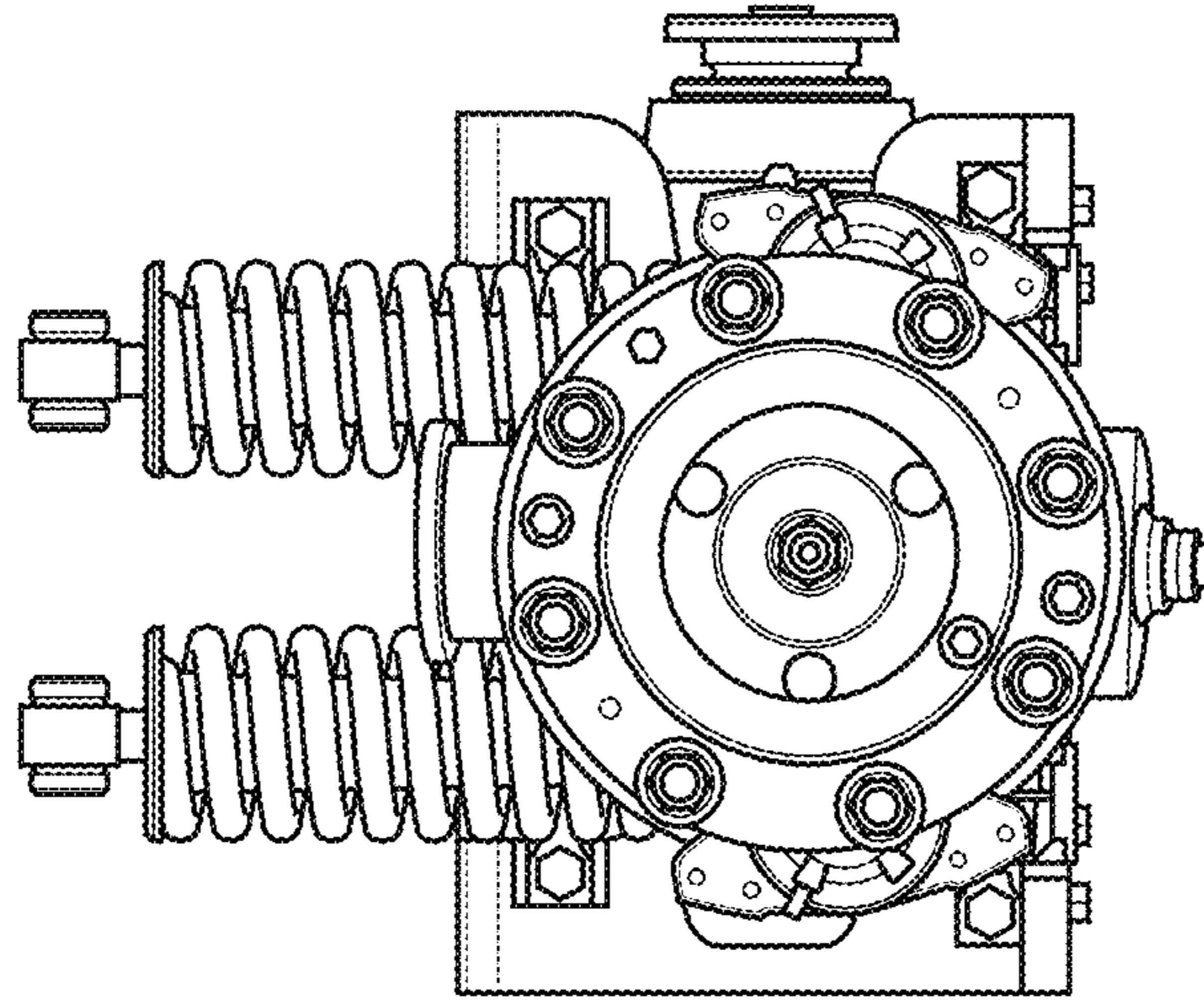


FIG. 5

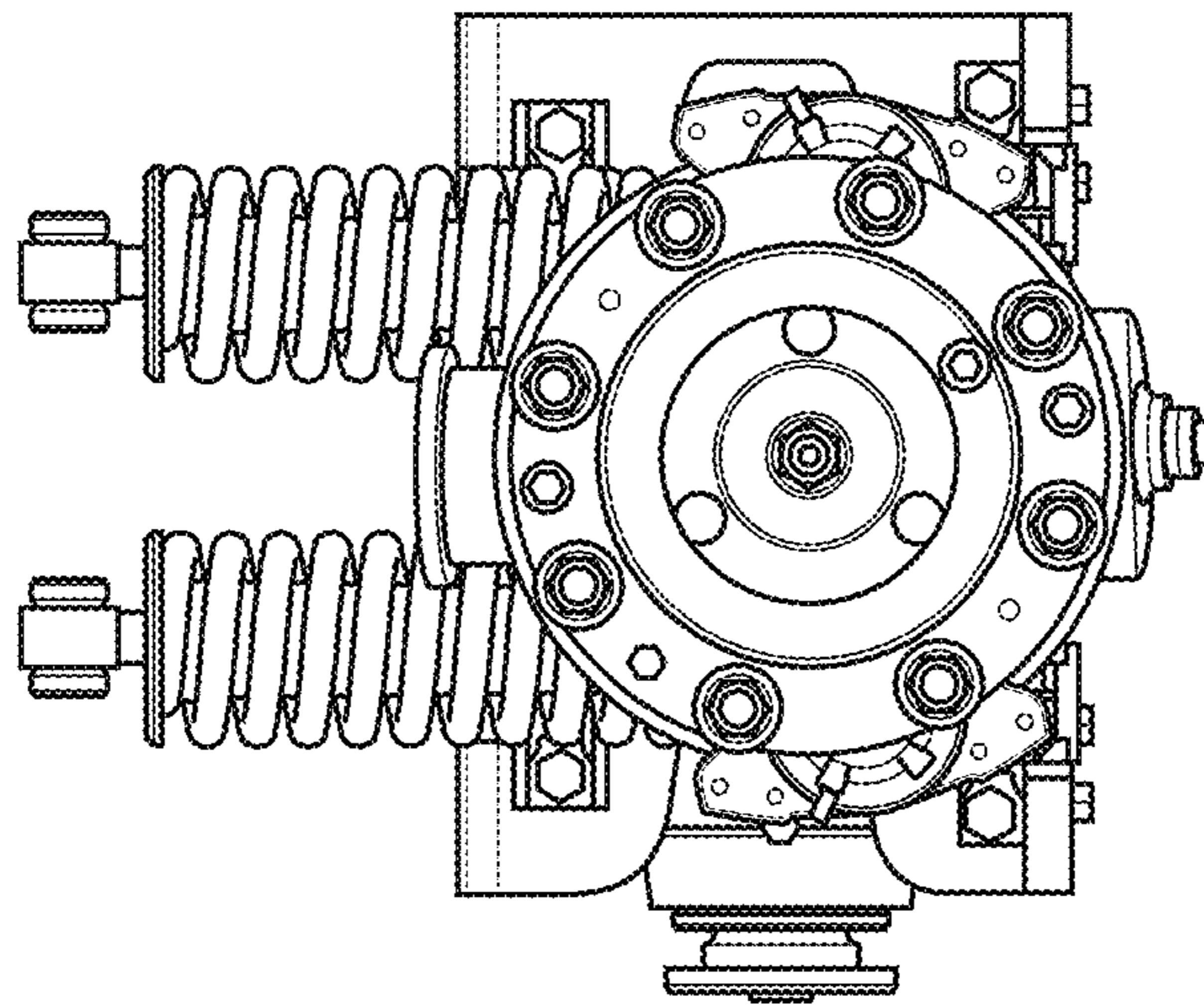


FIG. 4

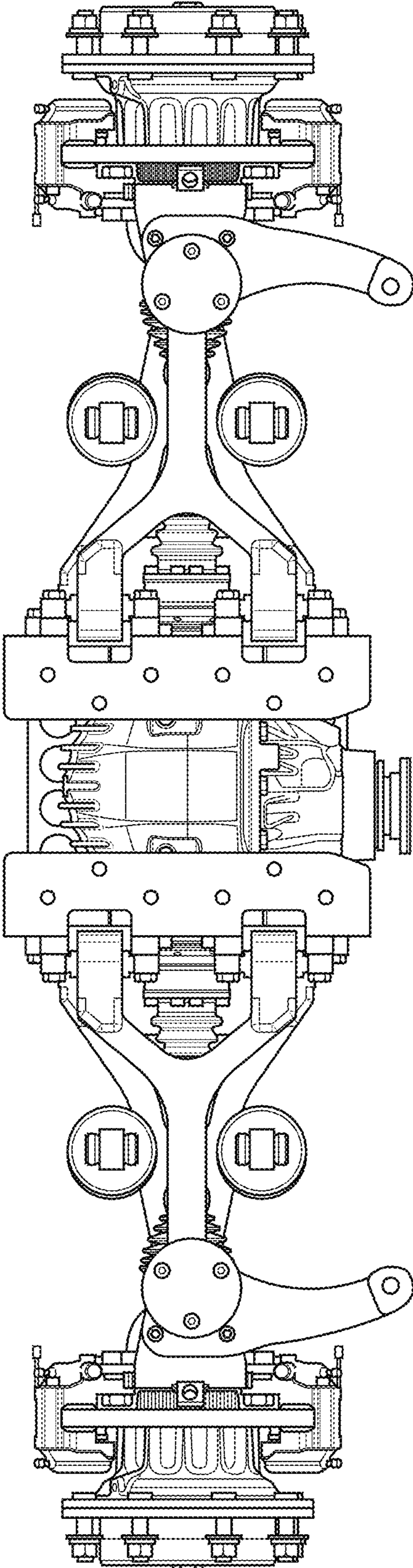


FIG. 6

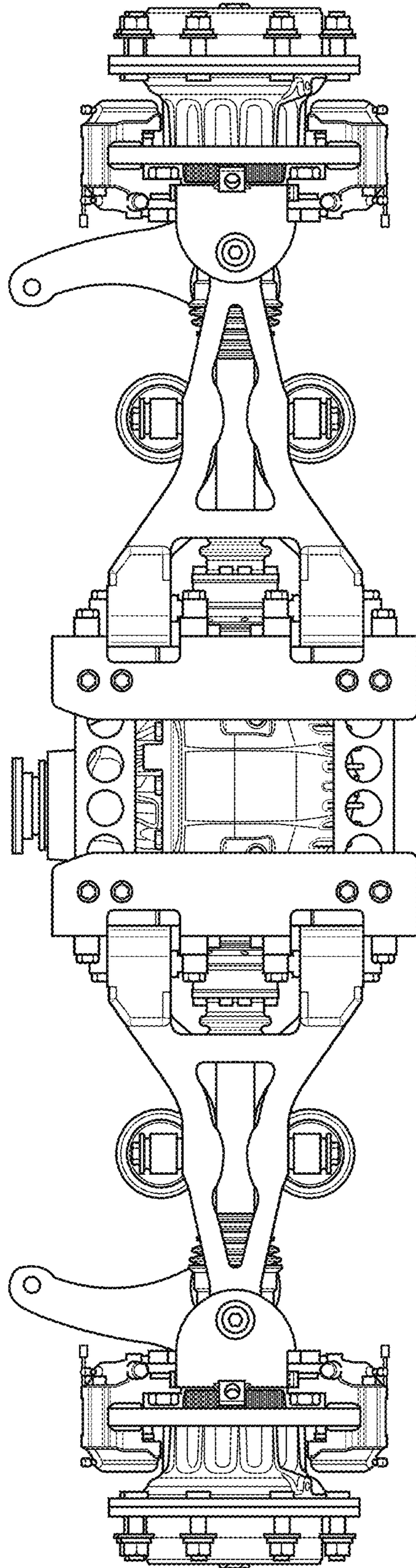


FIG. 7