



US00D814976S

(12) **United States Design Patent** (10) **Patent No.:** **US D814,976 S**
Behmer et al. (45) **Date of Patent:** **** Apr. 10, 2018**

(54) **VEHICLE EXTERIOR**

(71) Applicant: **Ford Global Technologies, LLC**,
Dearborn, MI (US)
(72) Inventors: **Darrell P. Behmer**, Novi, MI (US);
Melvin Betancourt, Shelby Twp, MI
(US); **Craig S. Metros**, Bloomfield, MI
(US); **Christopher Stevens**, Detroit, MI
(US); **Junmo Park**, Northville, MI
(US)
(73) Assignee: **Ford Global Technologies, LLC**,
Dearborn, MI (US)

(**) Term: **15 Years**

(21) Appl. No.: **29/590,793**

(22) Filed: **Jan. 13, 2017**

(51) **LOC (11) Cl.** **12-08**

(52) **U.S. Cl.**
USPC **D12/92**

(58) **Field of Classification Search**
USPC D12/86, 90-92, 88; D21/421, 433, 434;
296/181.1, 181.5
CPC B62D 35/00; B62D 25/00; B62D 25/06;
B62D 33/00

See application file for complete search history.

(56) **References Cited**

U.S. PATENT DOCUMENTS

D724,494 S * 3/2015 Kaoud D12/92
D741,228 S * 10/2015 Curic D12/92
D741,229 S * 10/2015 Curic D12/92

* cited by examiner

Primary Examiner — Melody N Brown

(74) *Attorney, Agent, or Firm* — James Dottavio

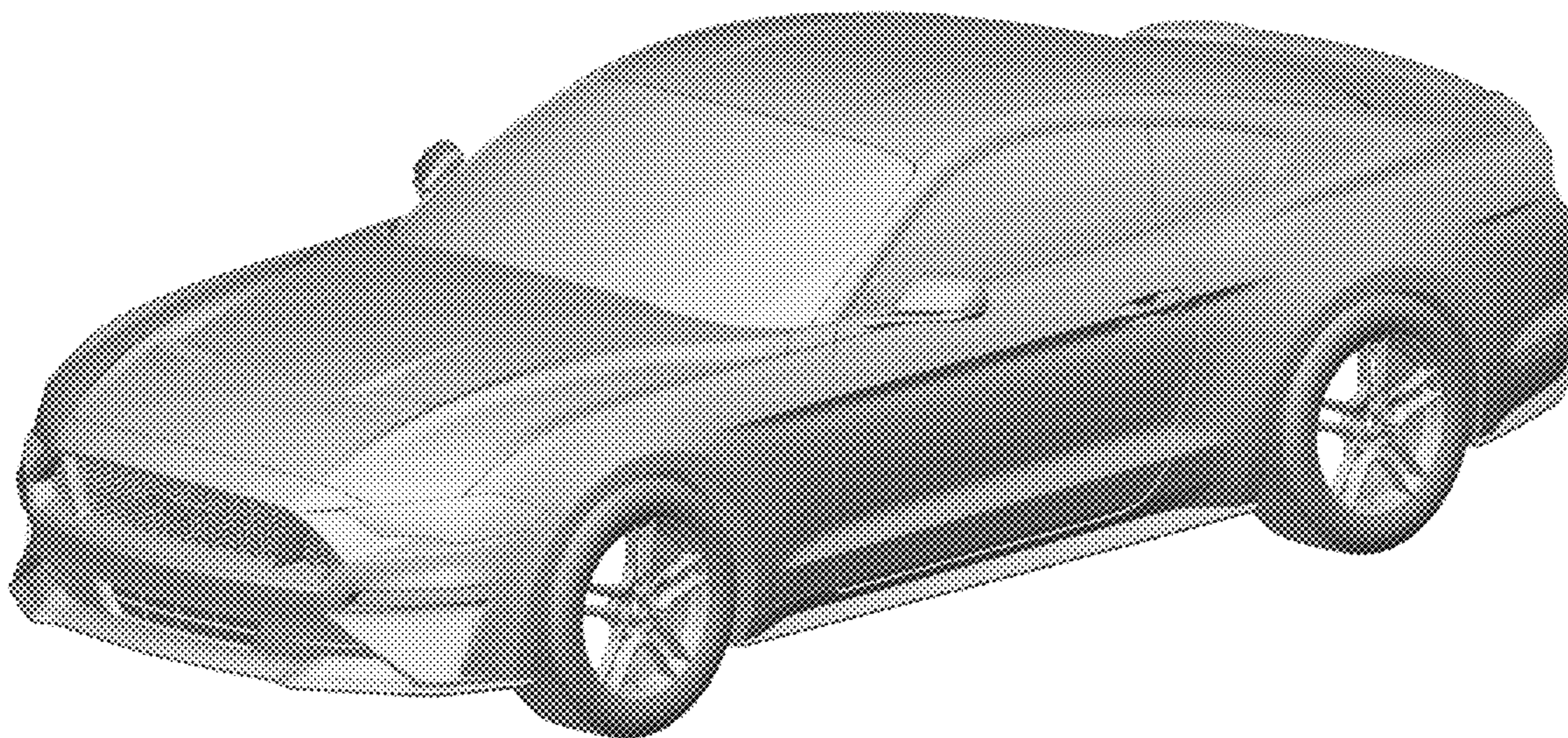
(57) **CLAIM**

The ornamental design for a vehicle exterior, as shown and described.

DESCRIPTION

FIG. 1 is a top, front and left side perspective view of a vehicle exterior showing our new design; FIG. 2 is a top, rear and left side perspective view thereof; FIG. 3 is a front elevational view thereof; FIG. 4 is a rear elevational view thereof; FIG. 5 is a left side elevational view thereof; FIG. 6 is a right side elevation view thereof; and, FIG. 7 is a top plan view thereof.

1 Claim, 7 Drawing Sheets



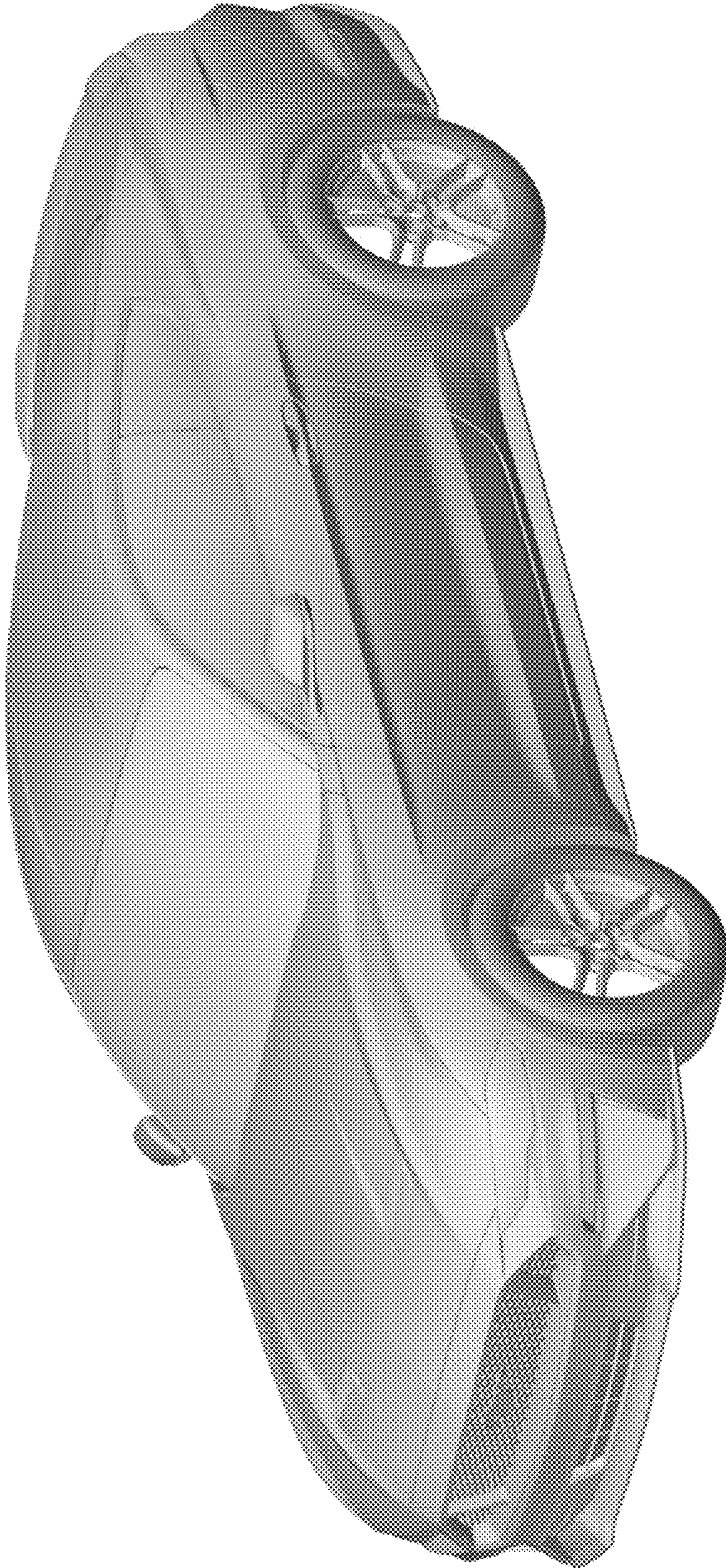


Figure 1

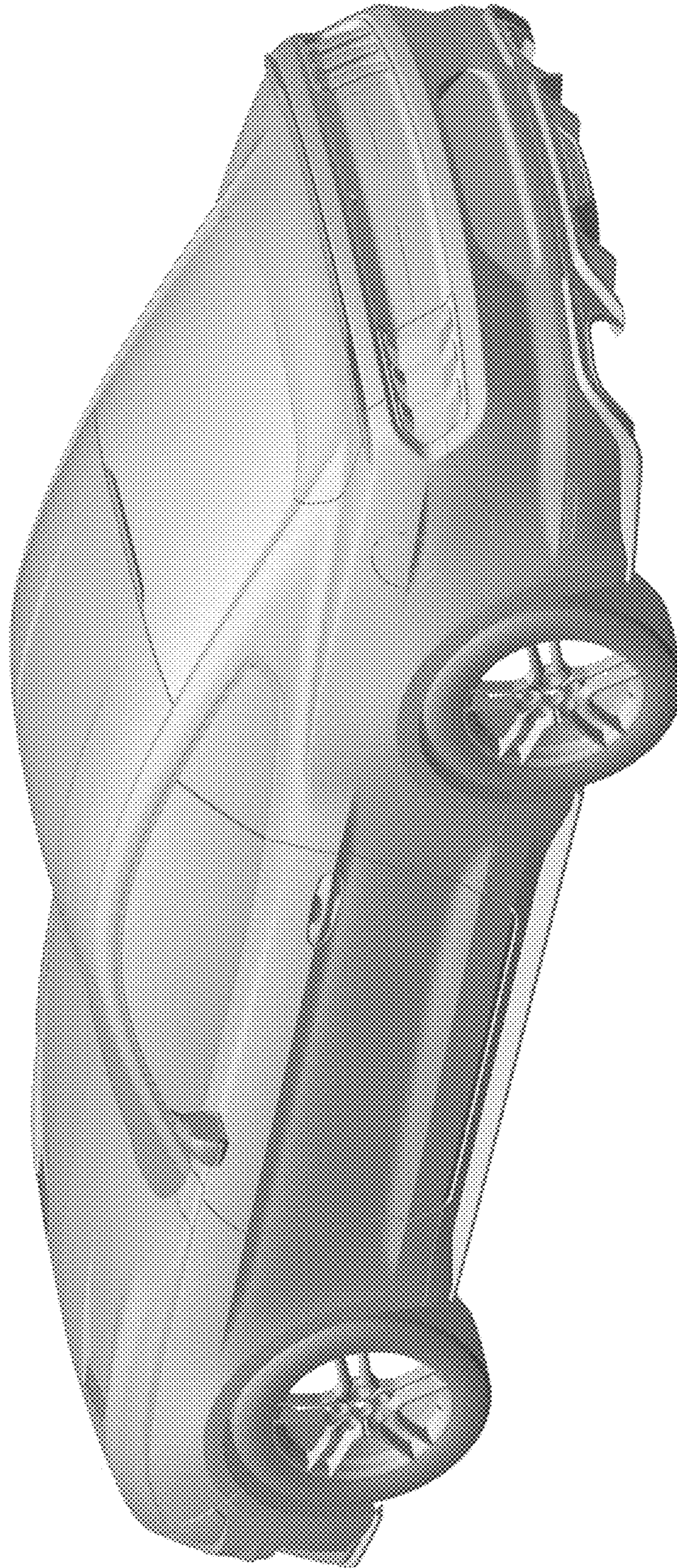


Figure 2

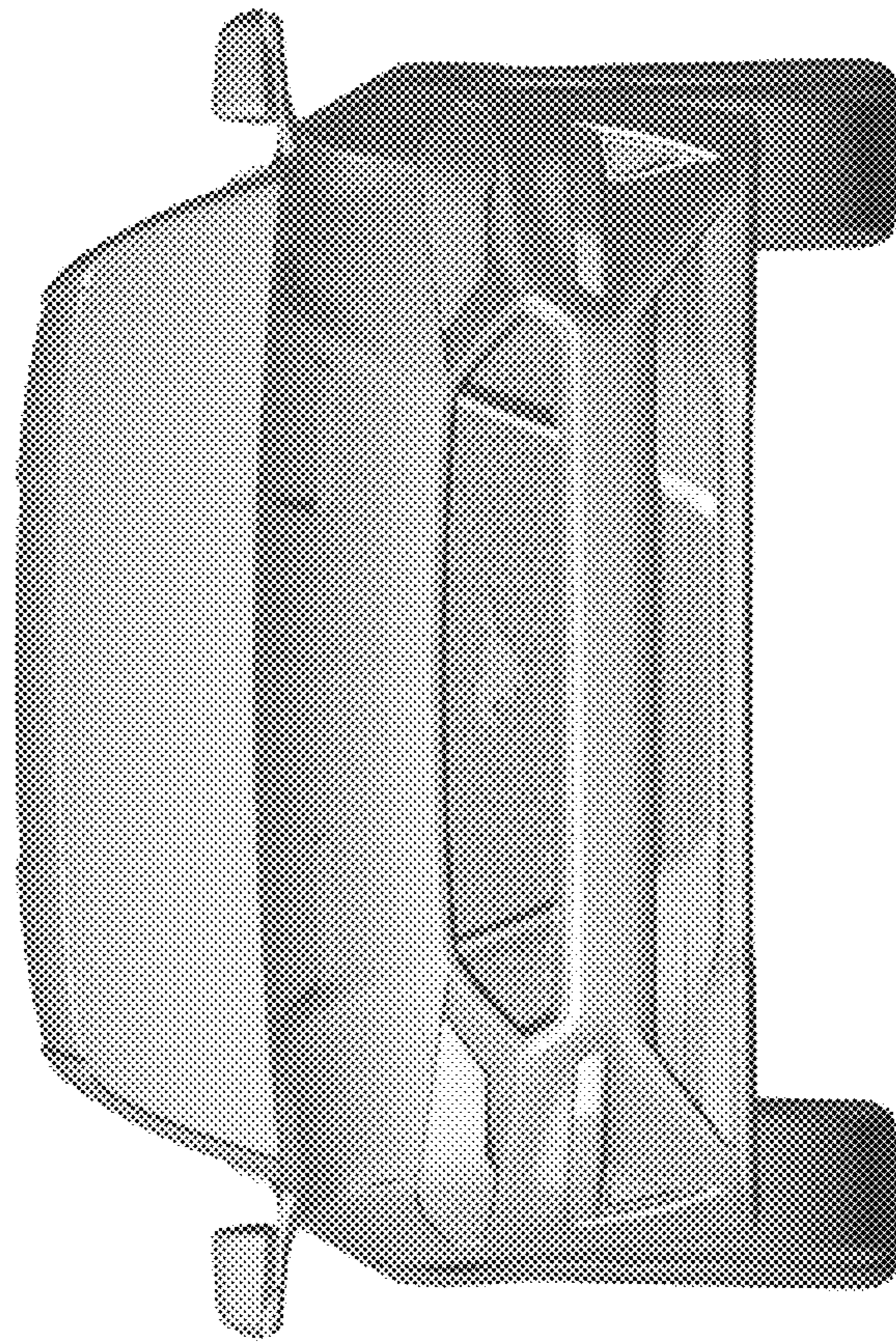


Figure 3

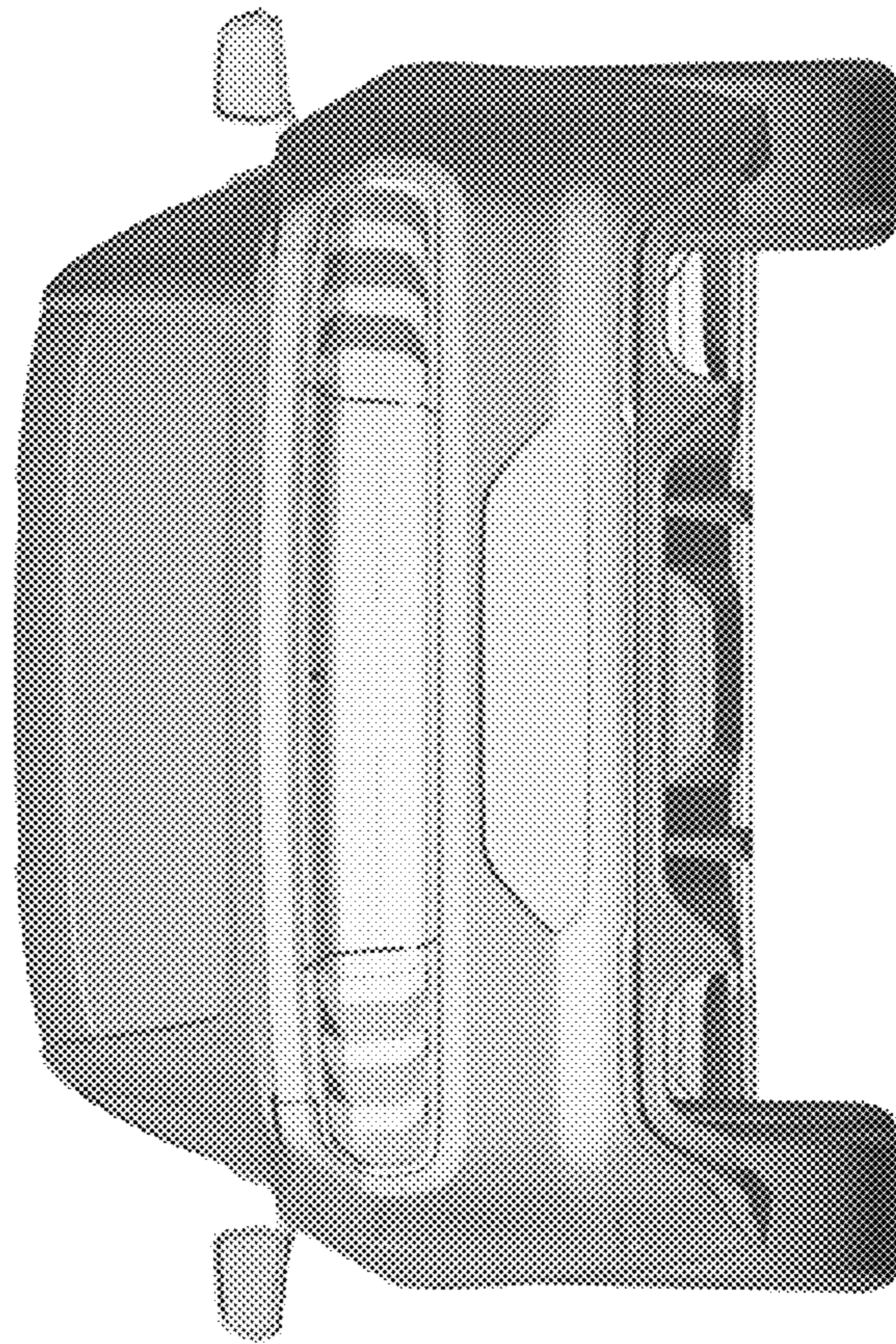


Figure 4

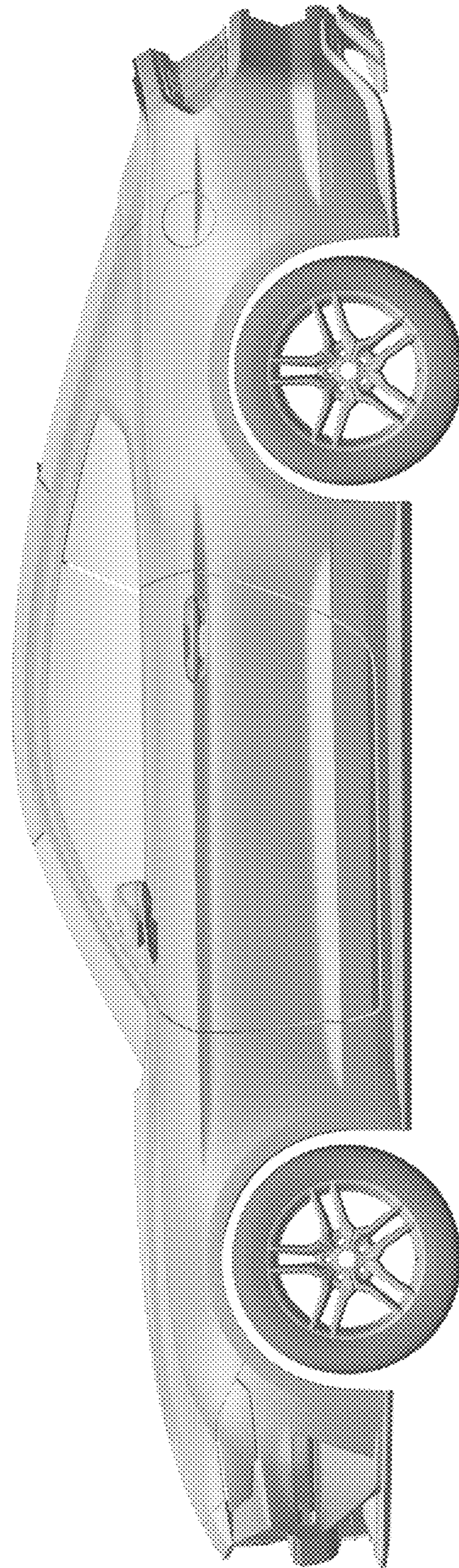


Figure 5



Figure 6

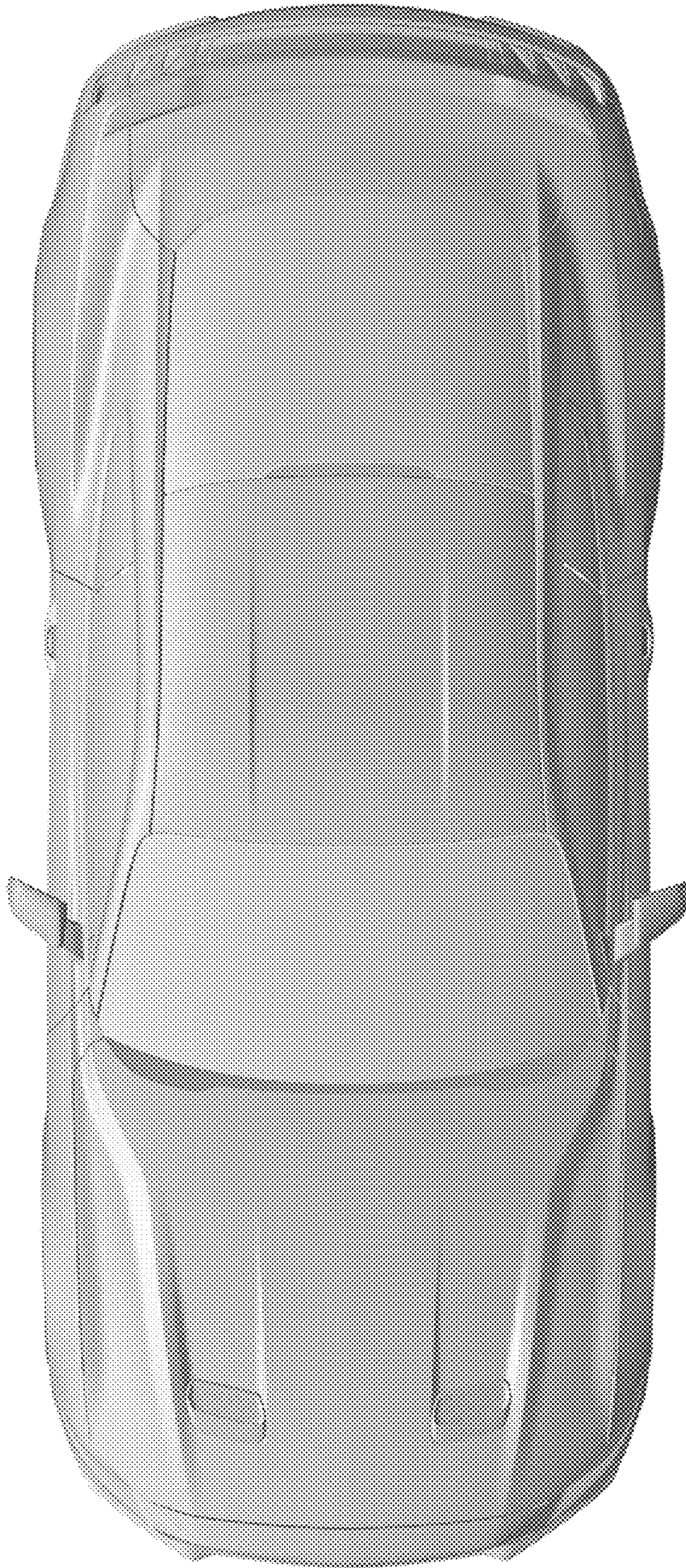


Figure 7