



US00D814974S

(12) **United States Design Patent**
Koizumi et al.

(10) **Patent No.:** **US D814,974 S**
(45) **Date of Patent:** **** Apr. 10, 2018**

(54) **AUTOMOBILE AND/OR TOY REPLICA THEREOF**

(71) Applicant: **Nissan Motor Co., Ltd.**, Yokohama, Kanagawa (JP)

(72) Inventors: **Kenichiro Koizumi**, San Diego, CA (US); **Jinwook Choi**, Tokyo (JP)

(73) Assignee: **Nissan Motor Co., Ltd.**, Yokohama (JP)

(**) Term: **15 Years**

(21) Appl. No.: **29/573,271**

(22) Filed: **Aug. 4, 2016**

(30) **Foreign Application Priority Data**

Feb. 5, 2016 (JP) 2016-002500

(51) **LOC (11) Cl.** **12-08**

(52) **U.S. Cl.**
USPC **D12/91**

(58) **Field of Classification Search**
USPC D12/86, 90-92, 88; D21/421, 433, 434; 296/181.1, 181.5
CPC B62D 35/00; B62D 25/00; B62D 25/06; B62D 33/00
See application file for complete search history.

(56) **References Cited**

U.S. PATENT DOCUMENTS

D515,460 S * 2/2006 Oosawa D12/91
D525,911 S * 8/2006 Taguchi D12/91
D722,919 S * 2/2015 Chang D12/91
D776,006 S * 1/2017 Uchiyama D12/91

FOREIGN PATENT DOCUMENTS

JP D1126627 S 10/2002
JP D1126845 S 10/2002

JP D1180448 S 7/2003
JP D1265359 S 3/2006
JP D1265803 S 3/2006
JP D1284180 S 10/2006
JP D1327150 S 4/2008
JP D1330473 S 5/2008
JP D1330474 S 5/2008
JP D1358380 S 5/2009
JP D1358656 S 5/2009
JP D1385155 S 4/2010
JP D1397085 S 9/2010
JP D1403621 S 12/2010
JP D1403989 S 12/2010
JP D1452955 S 10/2012
JP D1484048 S 11/2013

(Continued)

Primary Examiner — Melody N Brown

(57) **CLAIM**

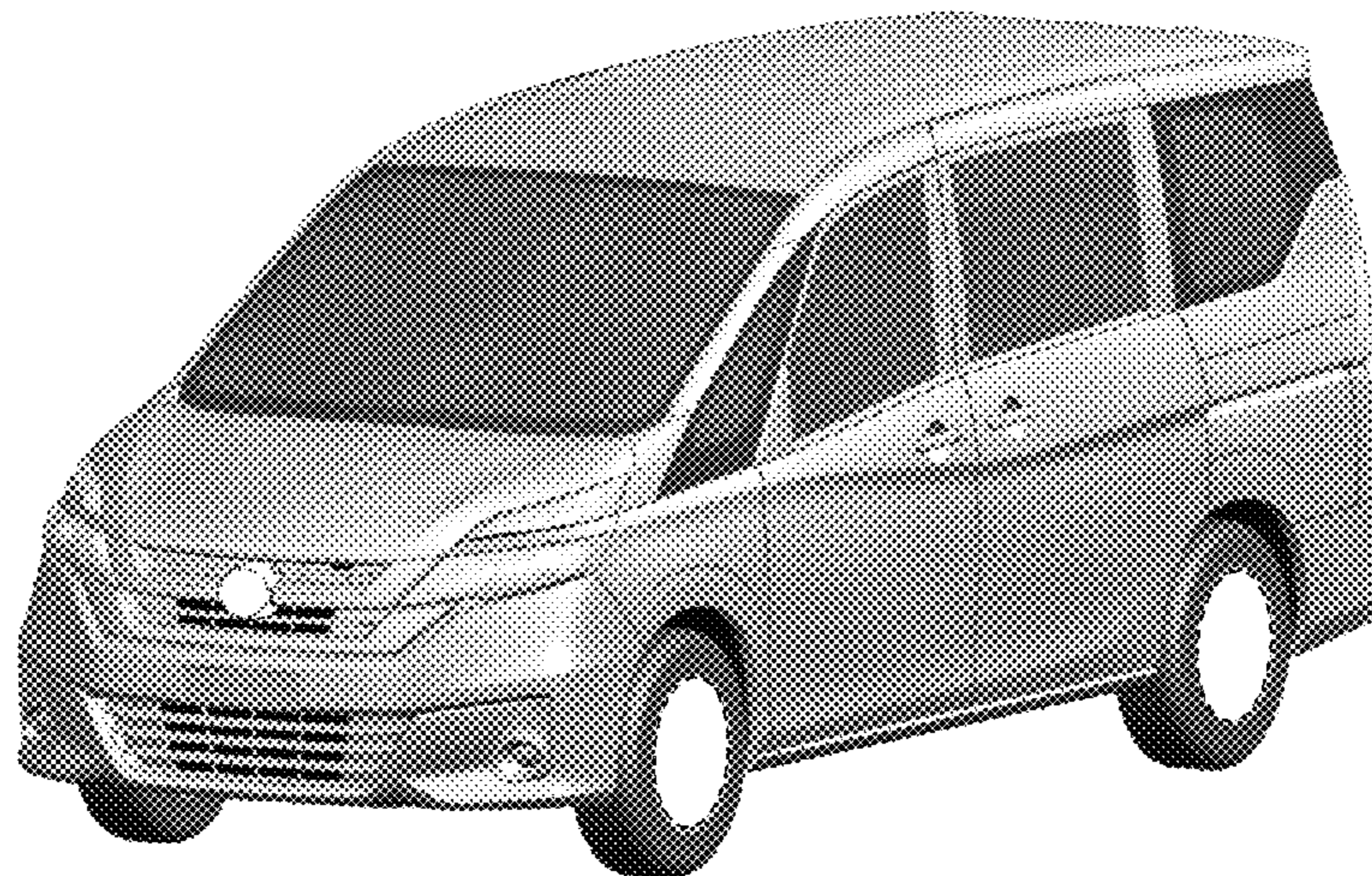
The ornamental design for an automobile and/or toy replica thereof, as shown and described.

DESCRIPTION

FIG. 1 is a front elevational view of an automobile and/or replica thereof showing our new design;
FIG. 2 is a top plan view thereof;
FIG. 3 is a left side elevational view thereof;
FIG. 4 is a right side elevational view thereof;
FIG. 5 is a front and left side perspective view thereof;
FIG. 6 is a rear and right side perspective view thereof; and,
FIG. 7 is a rear elevational view thereof.

The hidden surfaces from the bottom, obscured by a rear bumper, the wheels, and inside the wheel wells, but visible in the figures form no part of the claimed design. The broken line showings on the automobile and/or toy replica thereof is for the purpose of illustrating environmental structure and form no part of the claimed design.

1 Claim, 7 Drawing Sheets



(56)

References Cited

FOREIGN PATENT DOCUMENTS

JP	D1484080 S	11/2013
JP	D1486815 S	12/2013
JP	D1499551 S	6/2014
JP	D1499955 S	6/2014
JP	D1499957 S	6/2014
JP	D1499959 S	6/2014
JP	D1531514 S	8/2015
JP	D1531666 S	8/2015
JP	D1531976 S	8/2015
JP	D1532099 S	8/2015

* cited by examiner

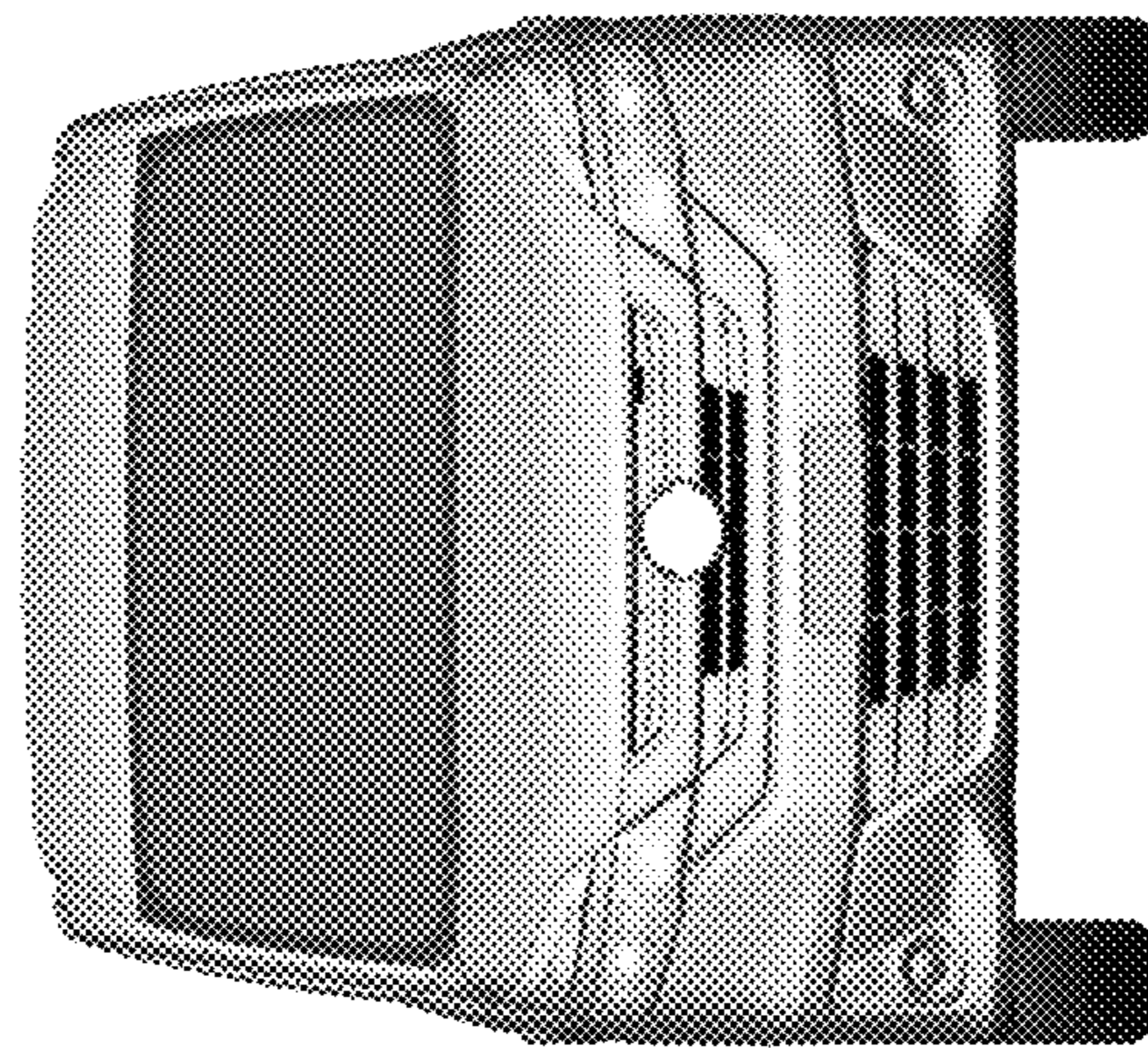


FIG. 1

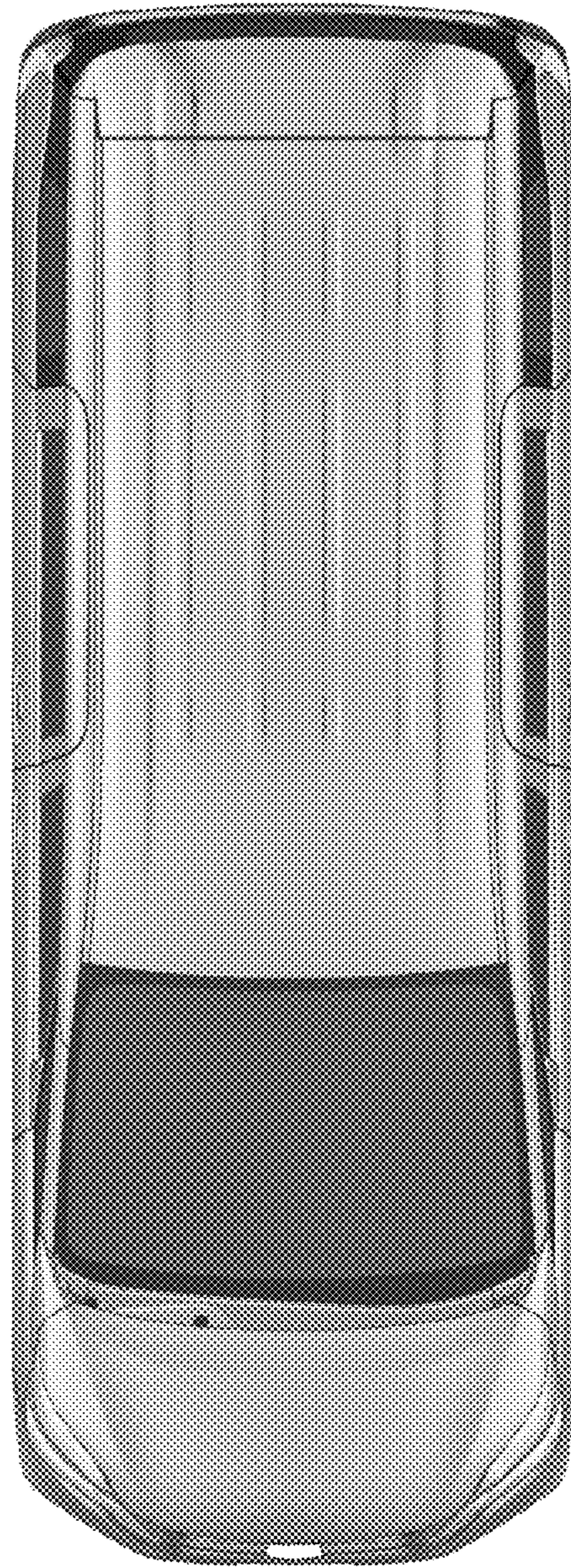


FIG. 2

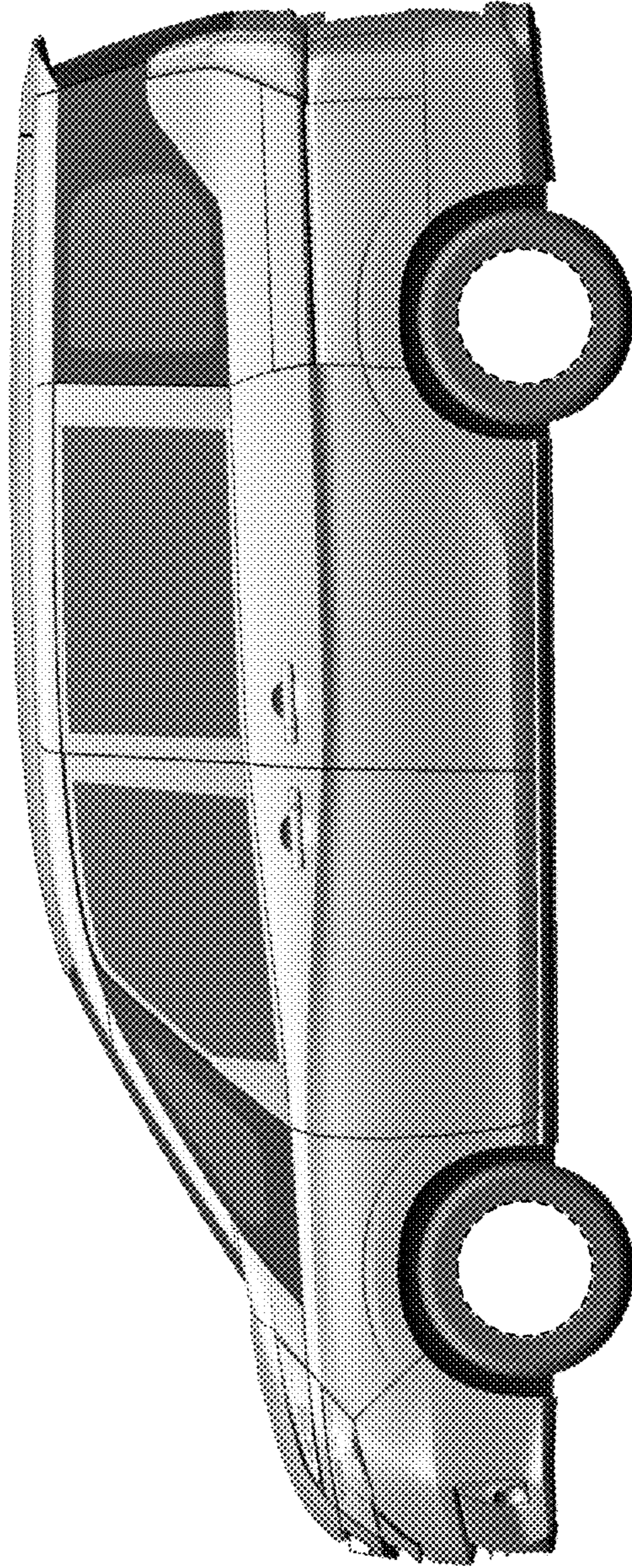


FIG. 3

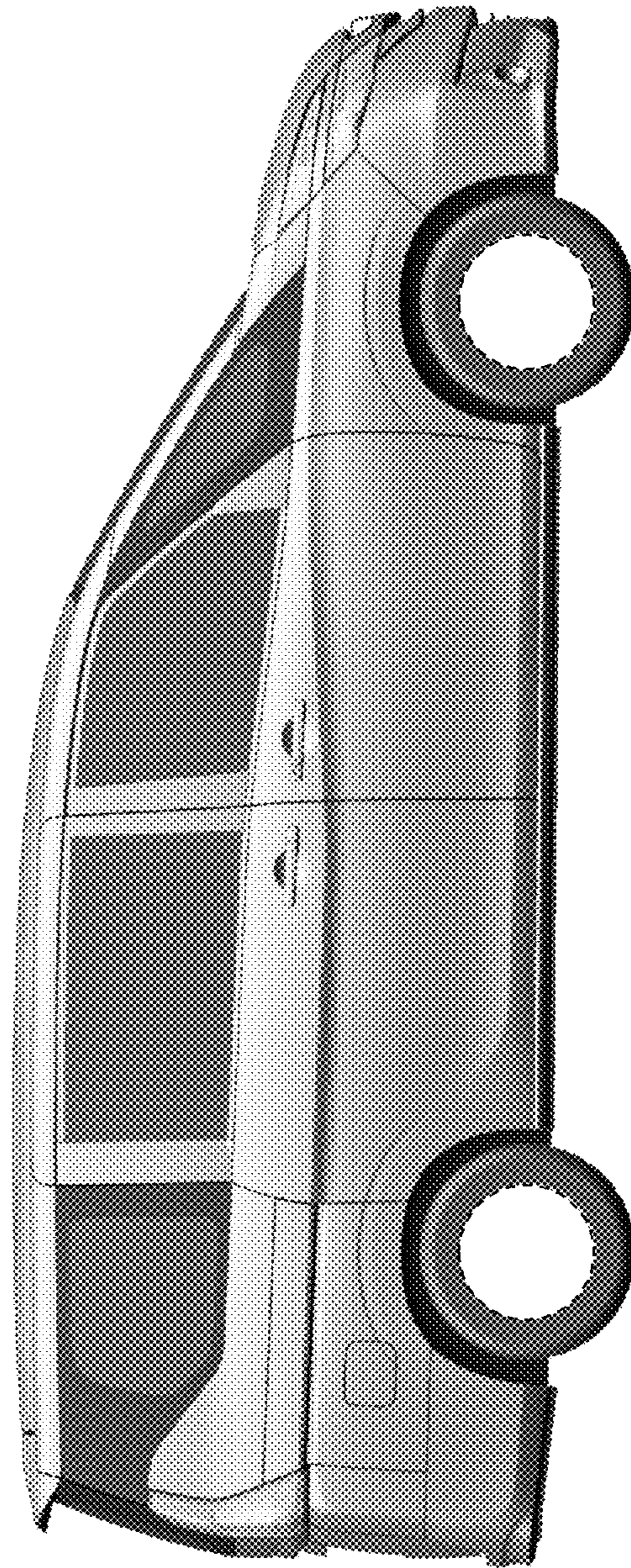


FIG. 4

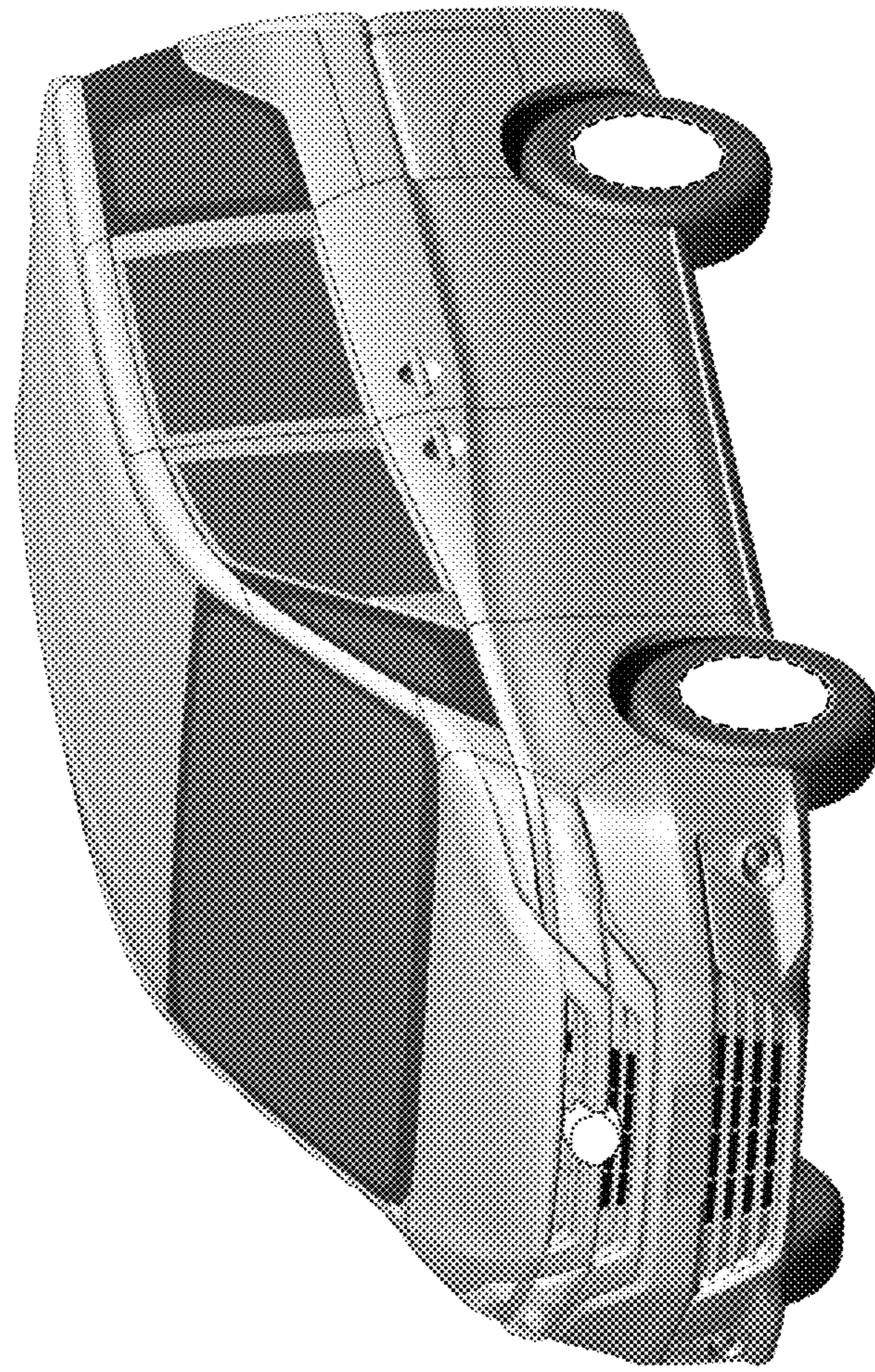


FIG. 5

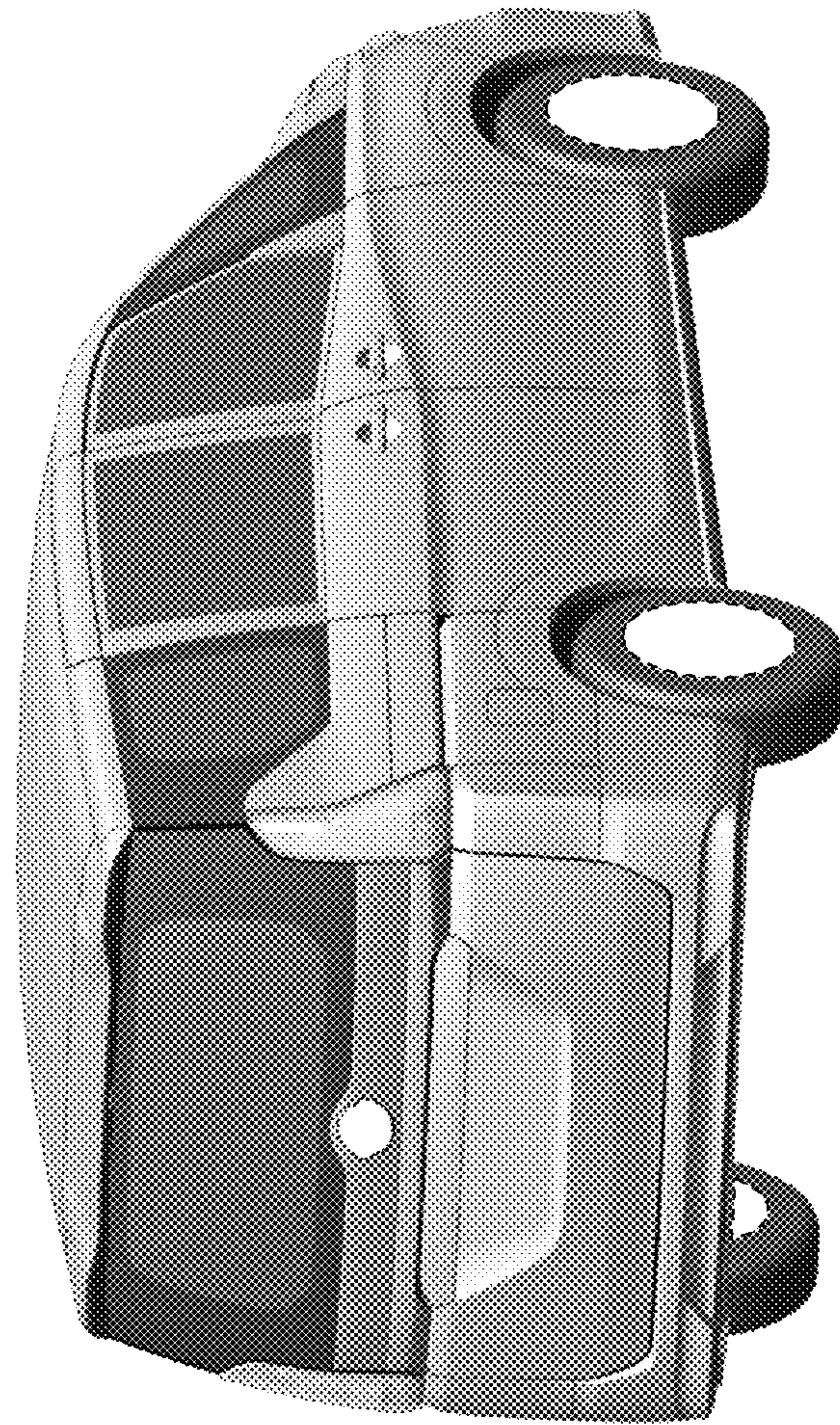


FIG. 6

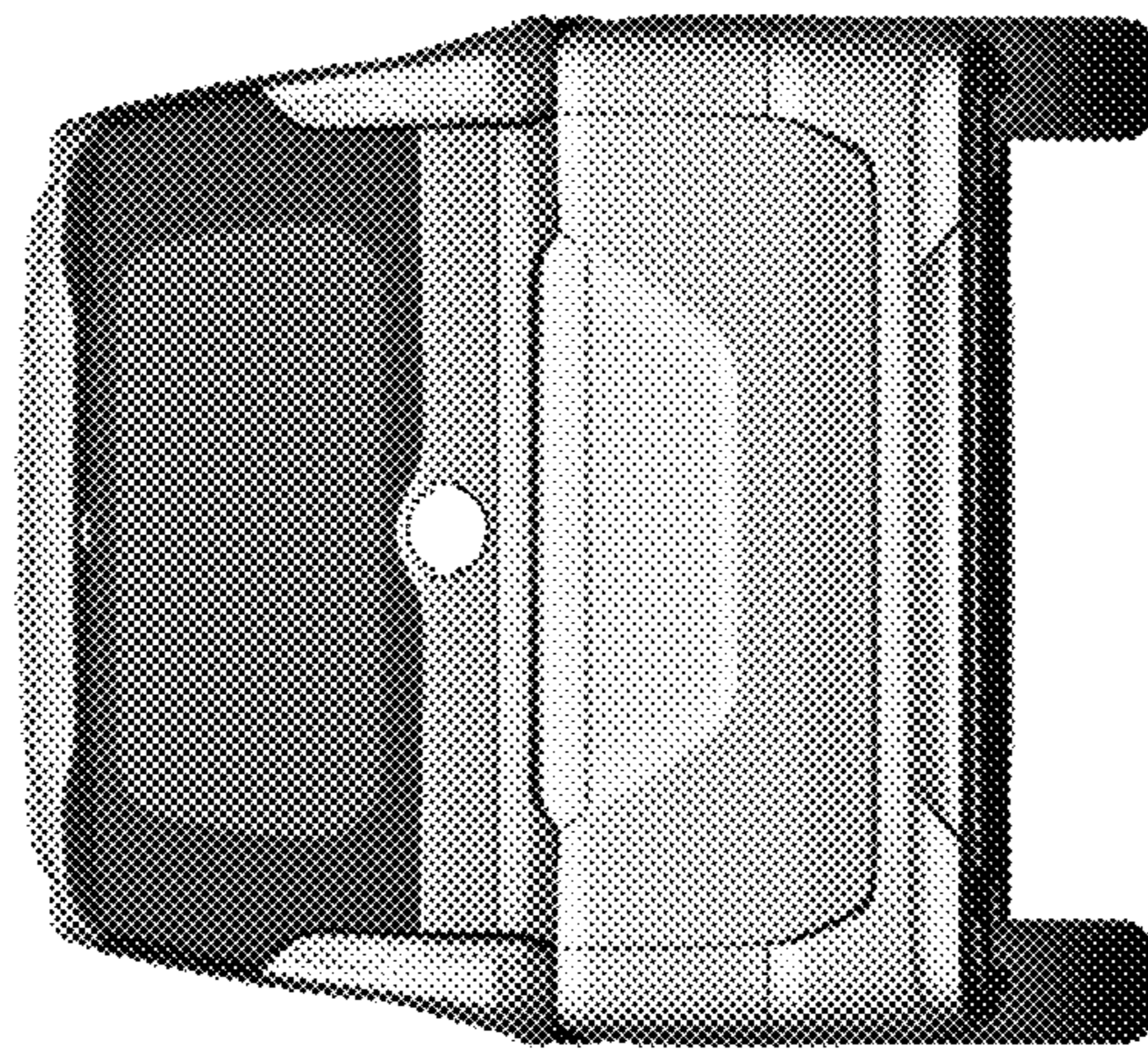


FIG. 7