



US00D814972S

(12) **United States Design Patent**  
**Ahn et al.**

(10) **Patent No.:** **US D814,972 S**  
(45) **Date of Patent:** **\*\* Apr. 10, 2018**

(54) **DRONE**

D768,539 S \* 10/2016 Lee ..... D12/16.1  
D768,540 S \* 10/2016 Ji ..... D12/16.1  
D768,789 S \* 10/2016 Fargeau ..... D12/16.1

(71) Applicant: **SAMSUNG ELECTRONICS CO., LTD.**, Suwon-si, Gyeonggi-do (KR)

(Continued)

(72) Inventors: **Daekyung Ahn**, Namyangju-si (KR);  
**Yongseok Bang**, Yongin-si (KR);  
**Kwanhee Lee**, Seoul (KR)

FOREIGN PATENT DOCUMENTS

EM 002438705-0001 4/2014  
EM 002806950-0001 10/2015

(73) Assignee: **SAMSUNG ELECTRONICS CO., LTD.**, Gyeonggi-Do (KR)

OTHER PUBLICATIONS

(\*\*) Term: **15 Years**

Drone-Maniac, Test: JYU Hornet S, the multifunction brushless compact quadcopter. [online]. pp. 1-51 [retrieved on Jan. 23, 2017]. Retrieved from the Internet: <URL: <http://www.drone-maniac.com/test-jyu-hornet-s-multifunction-brushless-compact-quadcopter/>>.

(21) Appl. No.: **29/591,689**

*Primary Examiner* — Robert M. Spear  
*Assistant Examiner* — Marissa J Cash

(22) Filed: **Jan. 23, 2017**

(74) *Attorney, Agent, or Firm* — Cantor Colburn LLP

(30) **Foreign Application Priority Data**

(57) **CLAIM**

Aug. 5, 2016 (KR) ..... 30-2016-0038398

We claim the ornamental design for a drone, as shown and described.

(51) **LOC (11) Cl.** ..... **12-07**

**DESCRIPTION**

(52) **U.S. Cl.**  
USPC ..... **D12/16.1**

(58) **Field of Classification Search**  
USPC ..... D12/3, 16.1, 319–345; D21/436–455  
CPC ..... B64C 39/024; B64C 2201/108  
See application file for complete search history.

FIG. 1 is the front perspective view of a drone showing our new design;  
FIG. 2 is the front view thereof;  
FIG. 3 is the rear view thereof;  
FIG. 4 is the left-side view thereof;  
FIG. 5 is the right-side view thereof;  
FIG. 6 is the top view thereof;  
FIG. 7 is the bottom view thereof;  
FIG. 8 is the rear perspective view thereof; and,  
FIG. 9 is the front perspective view thereof shown in an example environment.

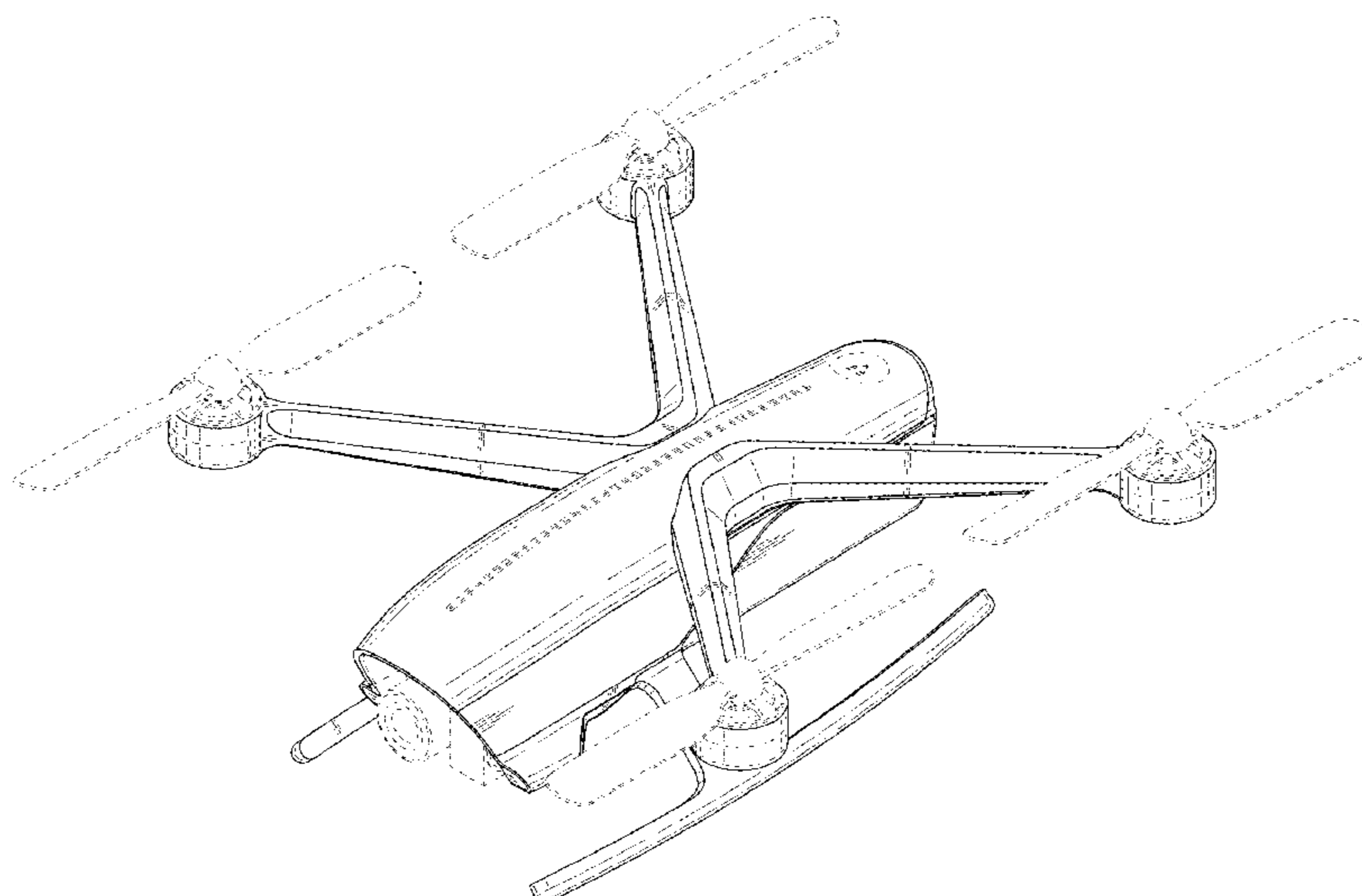
(56) **References Cited**

U.S. PATENT DOCUMENTS

D197,038 S \* 12/1963 Howard, Jr. et al. .... D12/329  
D322,241 S \* 12/1991 Wolfe ..... D12/319  
D326,082 S \* 5/1992 Finlay ..... D12/345  
D458,892 S \* 6/2002 DeTore ..... D12/319  
D648,808 S \* 11/2011 Seydoux ..... D21/441  
D670,638 S \* 11/2012 Golet ..... D12/319  
D692,797 S \* 11/2013 Ohnishi ..... D12/16.1  
D710,454 S \* 8/2014 Barajas ..... D12/16.1  
D741,779 S \* 10/2015 Hsiao ..... D12/16.1  
D763,134 S \* 8/2016 Wang ..... D12/16.1

In the drawings, the claimed design is defined by the shaded surfaces; broken lines immediately adjacent shaded surfaces represent boundaries of the claim and form no part thereof; all other broken lines depict unclaimed environmental subject matter and form no part of the claim.

**1 Claim, 9 Drawing Sheets**



(56)

**References Cited**

## U.S. PATENT DOCUMENTS

D770,940 S \* 11/2016 Taylor ..... D12/16.1  
D772,991 S \* 11/2016 Caubel ..... D12/16.1  
D777,263 S \* 1/2017 Lavagen ..... D12/16.1  
D779,595 S \* 2/2017 Xiao ..... D12/16.1  
D782,365 S \* 3/2017 Hung ..... D12/16.1  
D784,201 S \* 4/2017 Goldy ..... D12/16.1  
D784,202 S \* 4/2017 Park ..... D12/16.1  
D784,854 S \* 4/2017 Huang ..... D12/16.1  
D785,541 S \* 5/2017 Du ..... D12/328  
D793,482 S \* 8/2017 Wang ..... D12/16.1  
D793,486 S \* 8/2017 Lee ..... D21/453  
D795,741 S \* 8/2017 Li ..... D12/16.1  
D795,784 S \* 8/2017 Guo ..... D12/328  
D795,967 S \* 8/2017 Haley ..... D12/16.1  
D797,602 S \* 9/2017 Li ..... D12/16.1  
D798,961 S \* 10/2017 Li ..... D12/16.1  
D800,016 S \* 10/2017 Huang ..... D12/16.1  
2015/0129711 A1 \* 5/2015 Caubel ..... B64C 27/08  
244/17.23  
2017/0144751 A1 \* 5/2017 Yu ..... B64C 27/001  
2017/0247113 A1 \* 8/2017 Sanlville ..... B64C 27/08  
2017/0269609 A1 \* 9/2017 Bradlow ..... G05D 1/102  
2017/0274983 A1 \* 9/2017 Beckman ..... B64C 11/48  
2017/0283050 A1 \* 10/2017 Baek ..... B64C 27/50

\* cited by examiner

FIG. 1

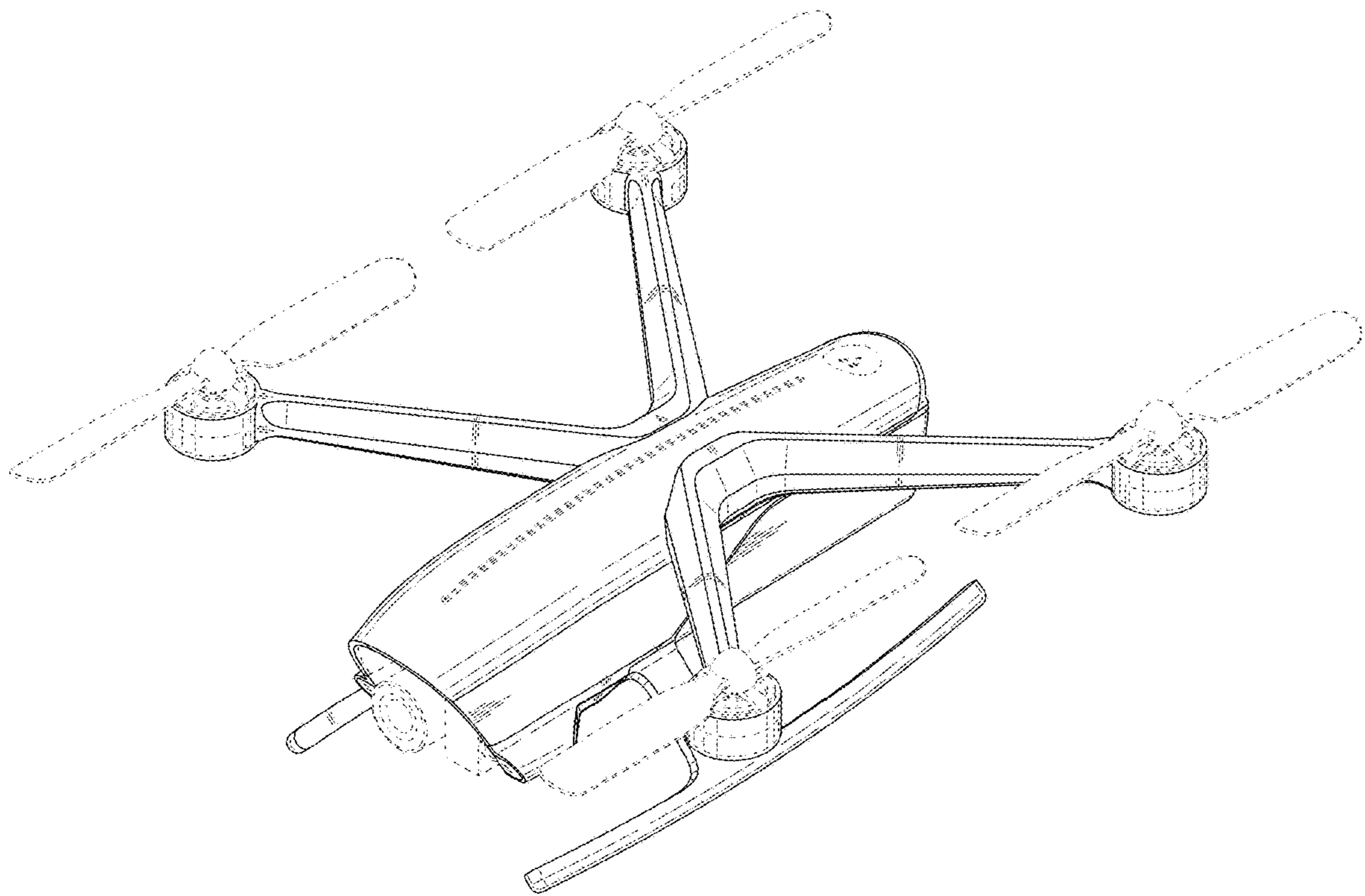


FIG. 2

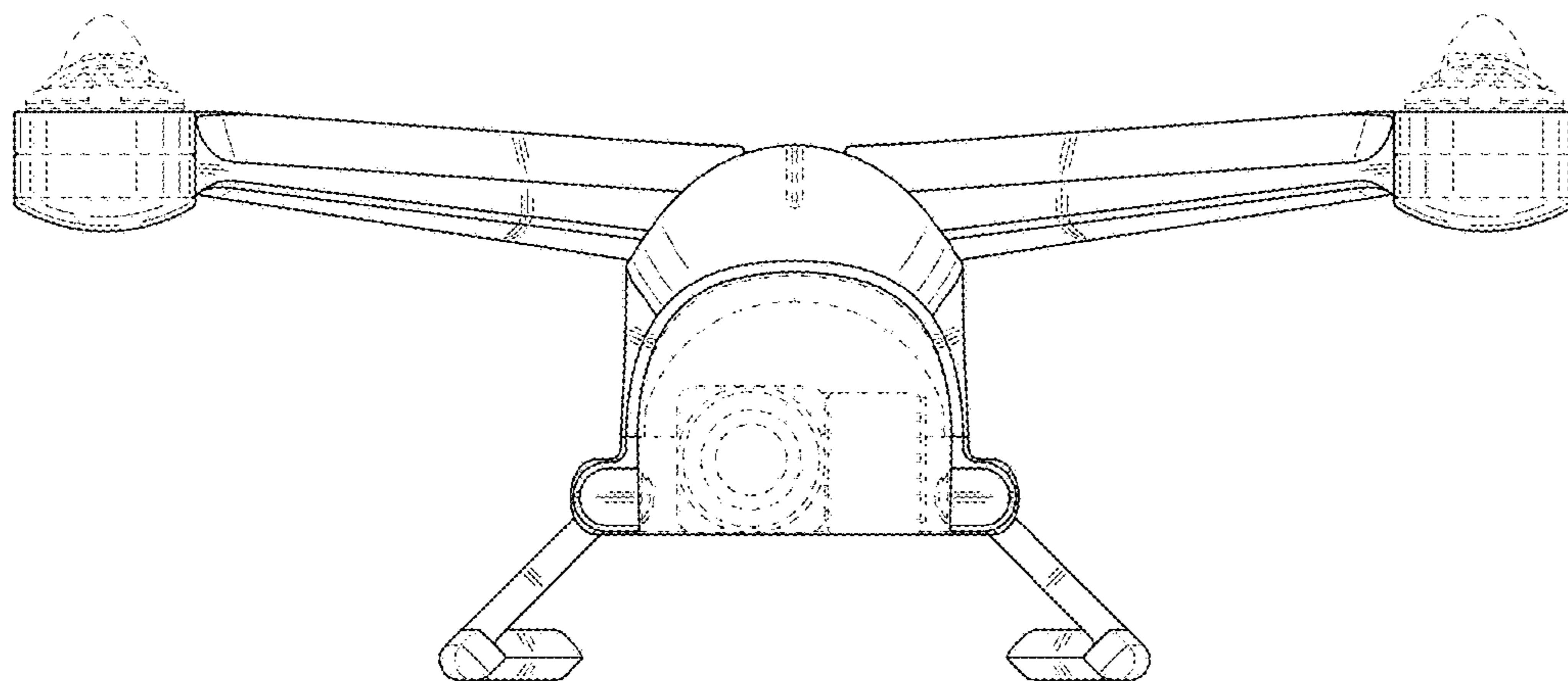


FIG. 3

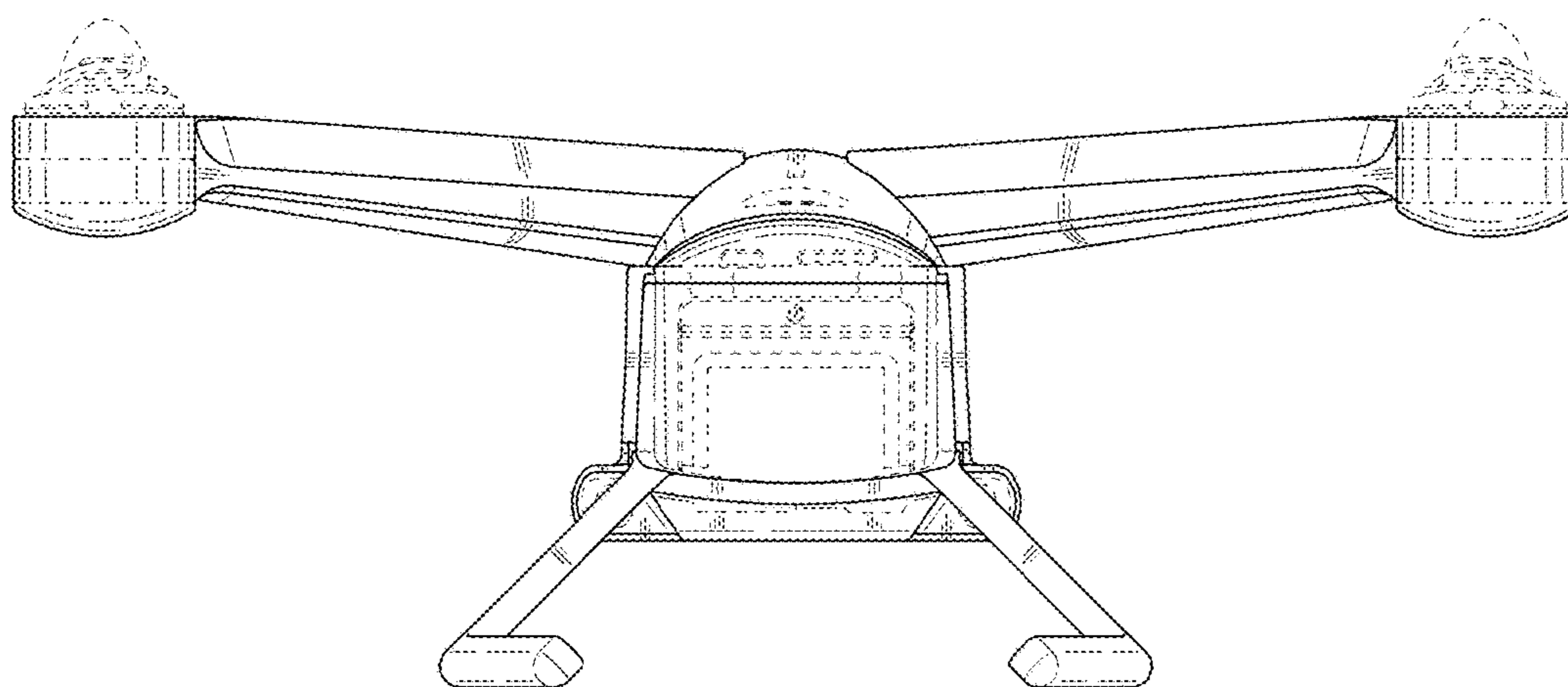


FIG. 4

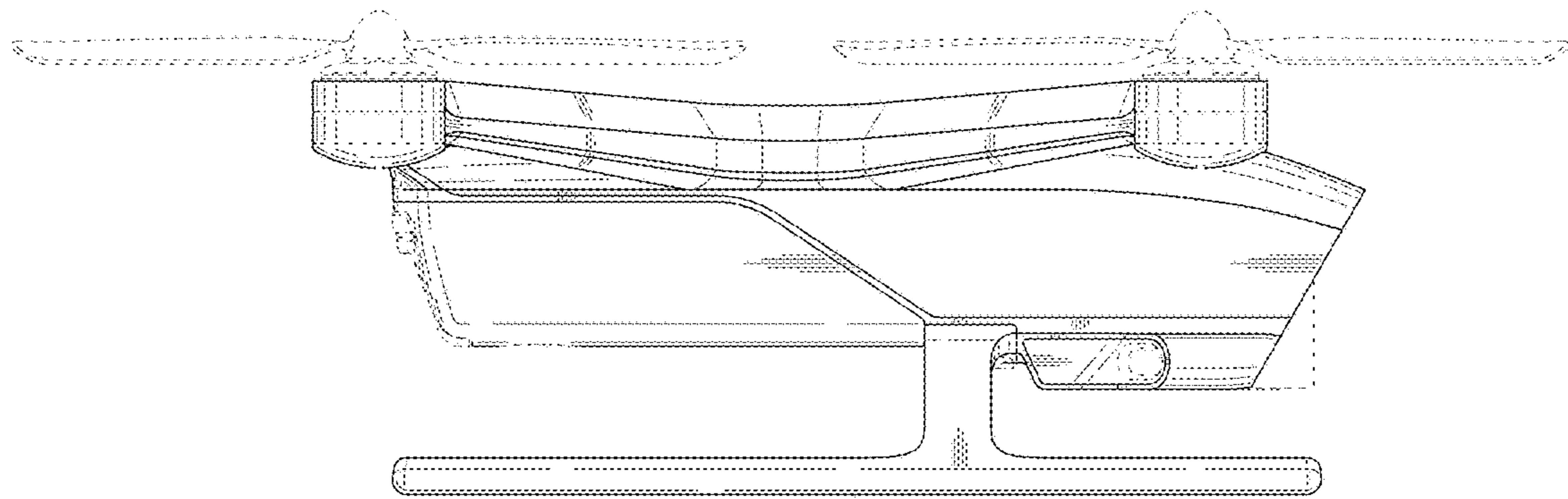


FIG. 5

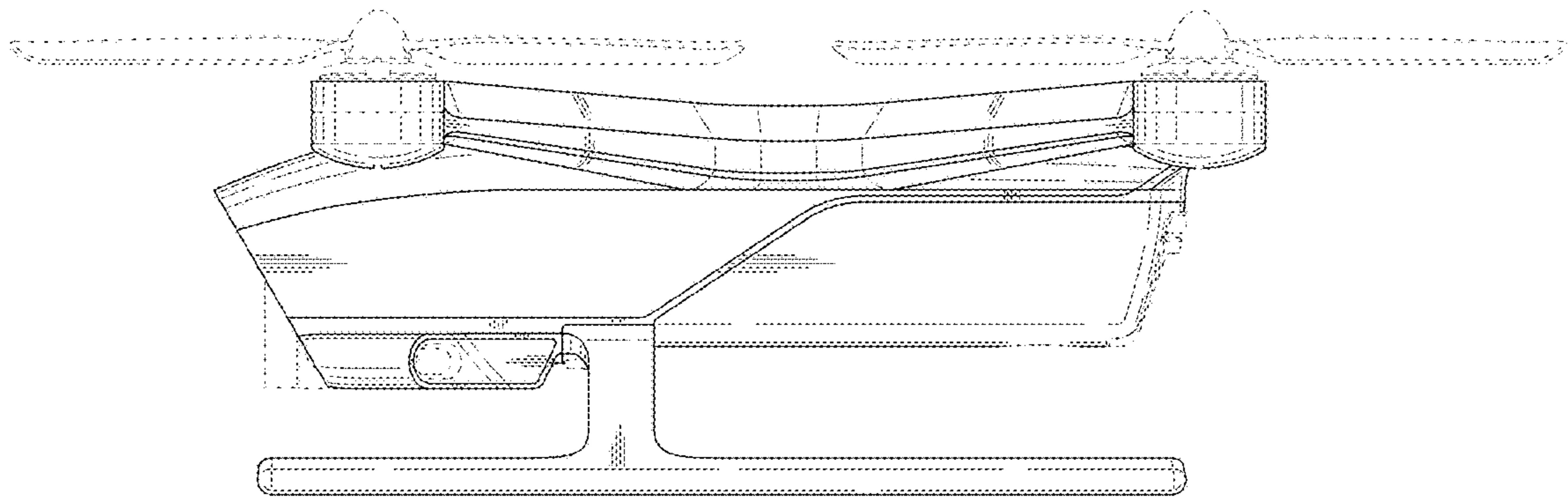


FIG. 6

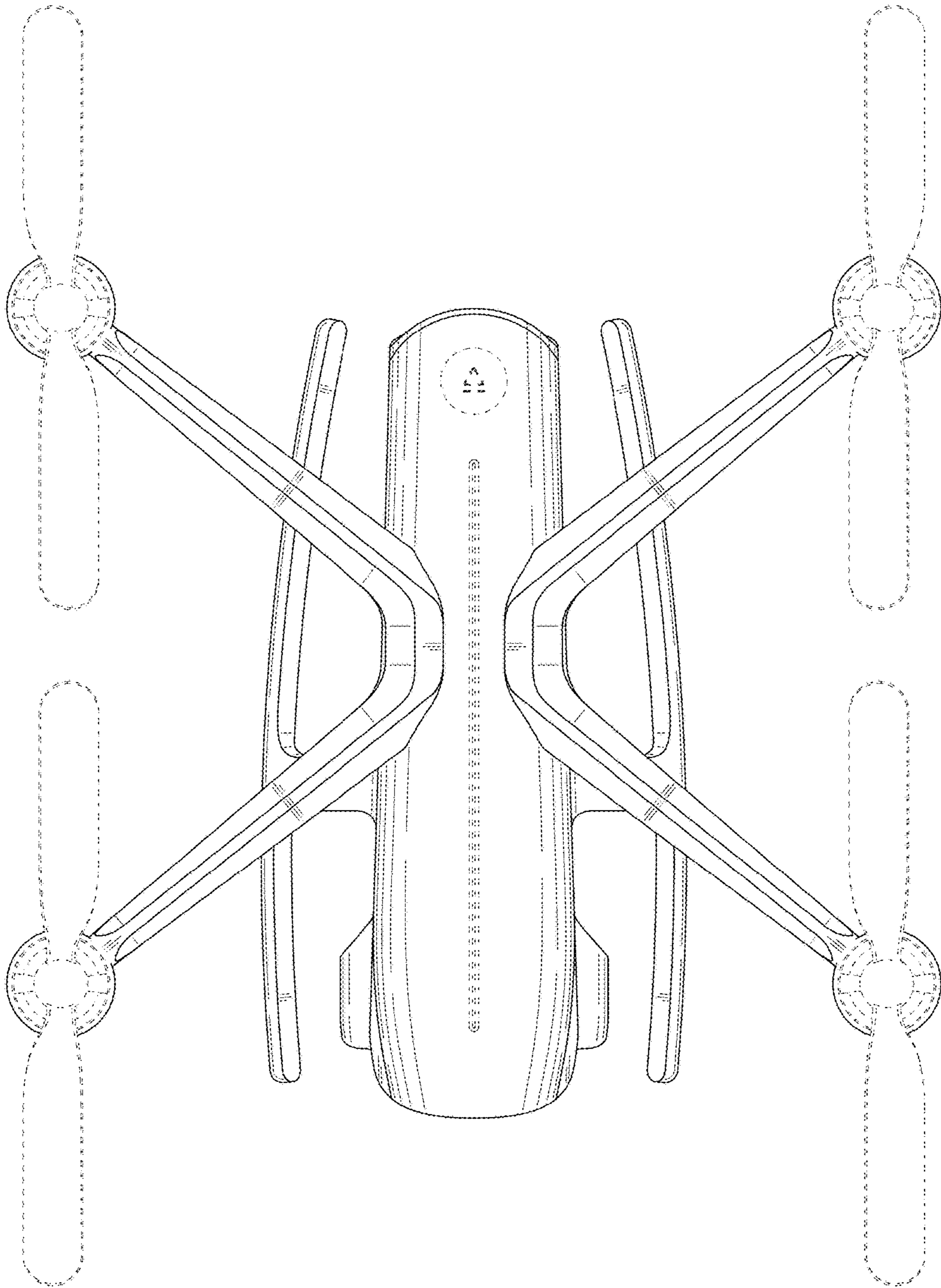




FIG. 7

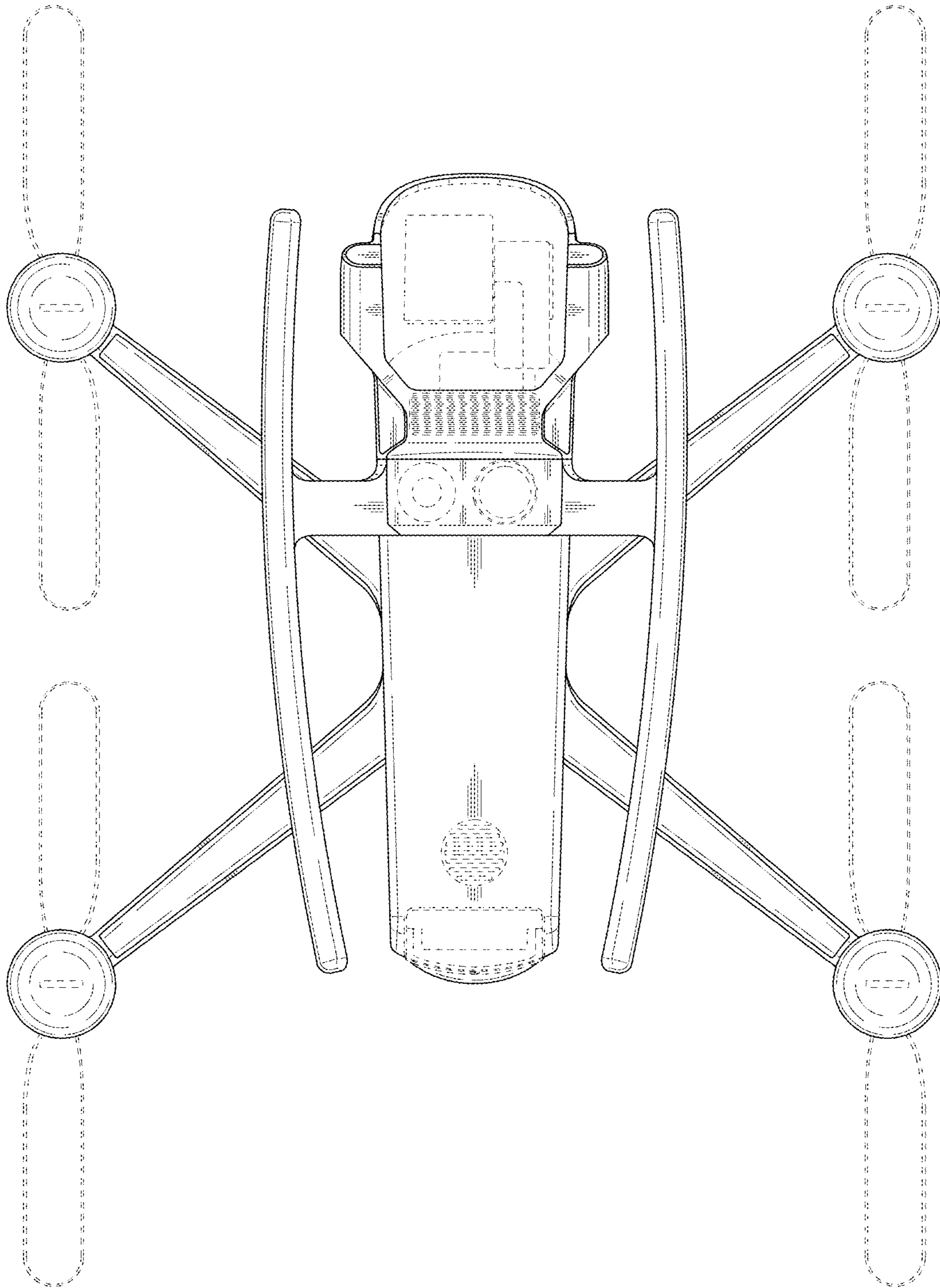


FIG. 8

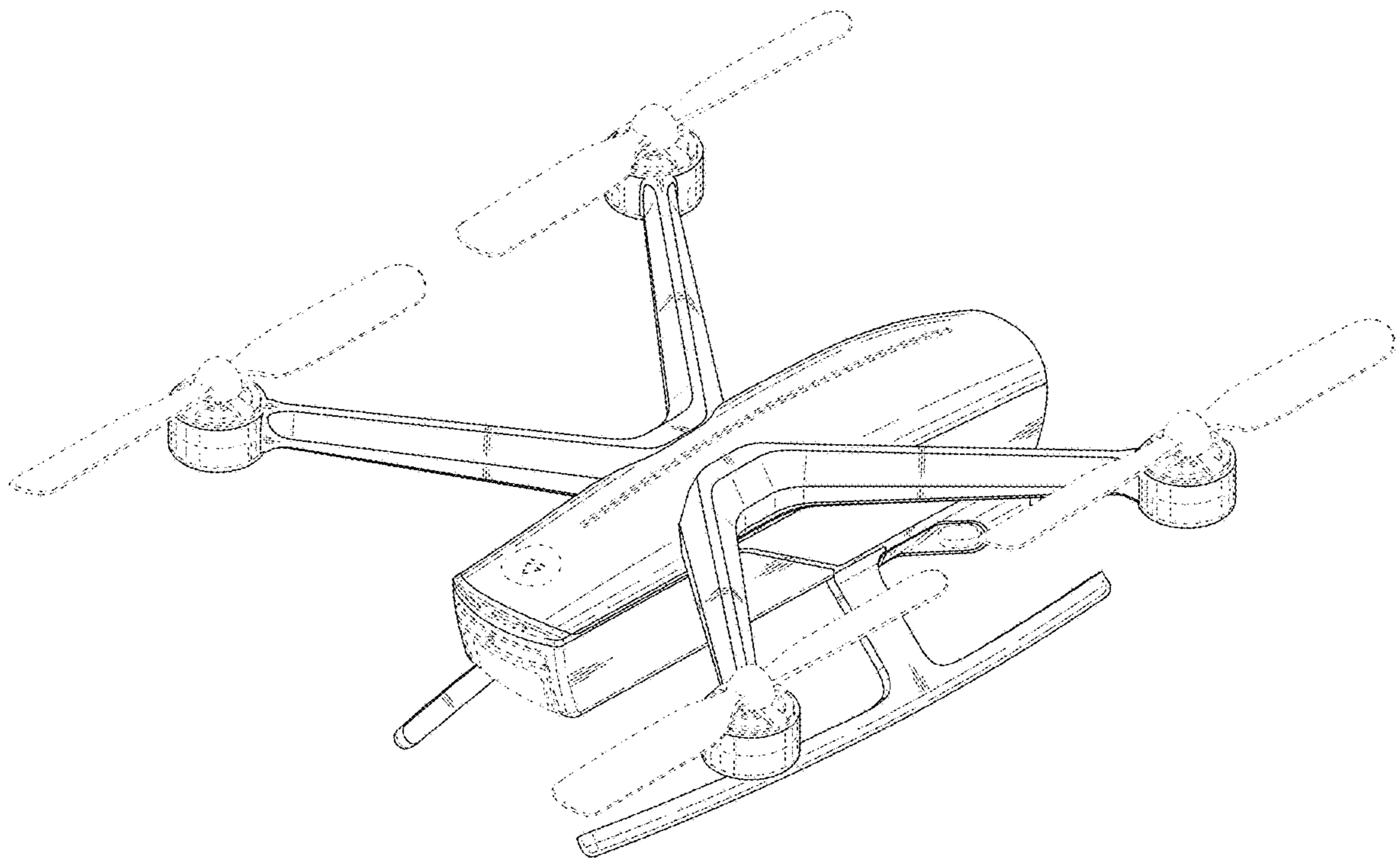


FIG. 9

