



US00D814971S

(12) **United States Design Patent**  
**Huang et al.**

(10) **Patent No.:** **US D814,971 S**

(45) **Date of Patent:** **\*\* Apr. 10, 2018**

(54) **MICRO AERIAL VEHICLE**

(71) Applicant: **GEOSAT Aerospace & Technology,**  
Tainan (TW)

(72) Inventors: **Yung Chieh Huang,** Tainan (TW);  
**Chang An Chen,** Tainan (TW)

(73) Assignee: **GEOSAT Aerospace & Technology**  
**Inc.,** Tainan (TW)

(\*\*) Term: **15 Years**

(21) Appl. No.: **29/580,116**

(22) Filed: **Oct. 5, 2016**

(51) **LOC (11) Cl.** ..... **12-07**

(52) **U.S. Cl.**  
USPC ..... **D12/16.1; D12/328**

(58) **Field of Classification Search**  
USPC ..... D12/3, 16.1, 319–345; D21/436–455  
CPC ..... B64C 39/024; B64C 2201/108  
See application file for complete search history.

(56) **References Cited**

**U.S. PATENT DOCUMENTS**

D139,424 S *	11/1944	Bates	.....	244/17.11
D181,641 S *	12/1957	Gotsch	.....	D21/444
D217,839 S *	6/1970	Gluhareff	.....	D12/325
D245,635 S *	8/1977	Campbell	.....	D21/441
D249,177 S *	8/1978	Loomis	.....	D21/448
D249,178 S *	8/1978	Loomis	.....	D21/448
D418,475 S *	1/2000	Milde, Jr.	.....	D12/320
D430,530 S *	9/2000	Milde, Jr.	.....	D12/320
D465,196 S *	11/2002	Dammar	.....	D12/328
D760,624 S *	7/2016	Balaresque	.....	D12/16.1
D763,134 S *	8/2016	Wang	.....	D12/16.1
D772,991 S *	11/2016	Caubel	.....	D12/16.1
9,527,588 B1 *	12/2016	Rollefstad	.....	B64C 39/024
D783,727 S *	4/2017	Xiao	.....	D21/441
D784,854 S *	4/2017	Huang	.....	D12/16.1
D785,717 S *	5/2017	Xiao	.....	D21/441
D798,961 S *	10/2017	Li	.....	D12/16.1

D799,402 S *	10/2017	Cummings	.....	D12/327
2016/0122017 A1 *	5/2016	Welker	.....	B64C 39/024
				244/17.23
2016/0179096 A1 *	6/2016	Bradlow	.....	B64C 19/00
				701/8
2017/0174336 A1 *	6/2017	Baba	.....	B64C 27/08
2017/0217323 A1 *	8/2017	Antonini	.....	B60L 11/1816
2017/0225792 A1 *	8/2017	Wang	.....	B64D 17/70

(Continued)

**OTHER PUBLICATIONS**

Eyedea drone by Korea Herald. dated Jun. 2, 2017. found online  
[Oct. 26, 2017] <http://www.koreaherald.com/view.php?ud=20170602000589>.\*

*Primary Examiner* — Robert M. Spear  
*Assistant Examiner* — Marissa J Cash

(74) *Attorney, Agent, or Firm* — Finnegan, Henderson,  
Farabow, Garrett & Dunner, LLP

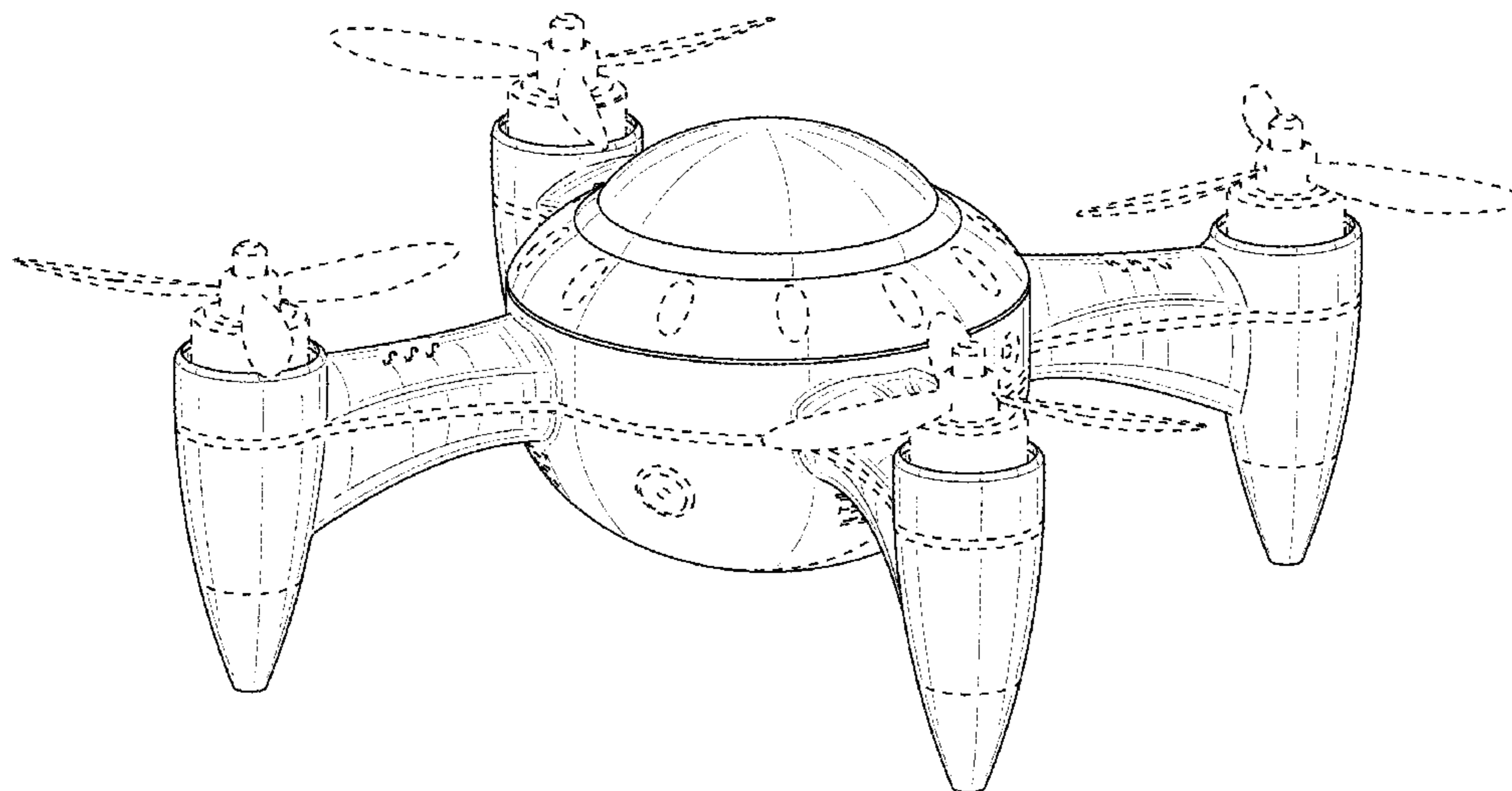
(57) **CLAIM**

The ornamental design for a micro aerial vehicle, as shown  
and described.

**DESCRIPTION**

FIG. 1 is a top, front, right perspective view of a micro aerial  
vehicle, showing our new design;  
FIG. 2 is a front elevation view thereof;  
FIG. 3 is a rear elevation view thereof;  
FIG. 4 is a right side elevation view thereof;  
FIG. 5 is a left side elevation view thereof;  
FIG. 6 is a top plan view thereof; and,  
FIG. 7 is a bottom plan view thereof.  
In the drawings, the claimed design is defined by the shaded  
surfaces; broken lines immediately adjacent shaded surfaces  
represent boundaries of the claim and form no part thereof;  
all other broken lines depict unclaimed environmental sub-  
ject matter and form no part of the claim.

**1 Claim, 7 Drawing Sheets**



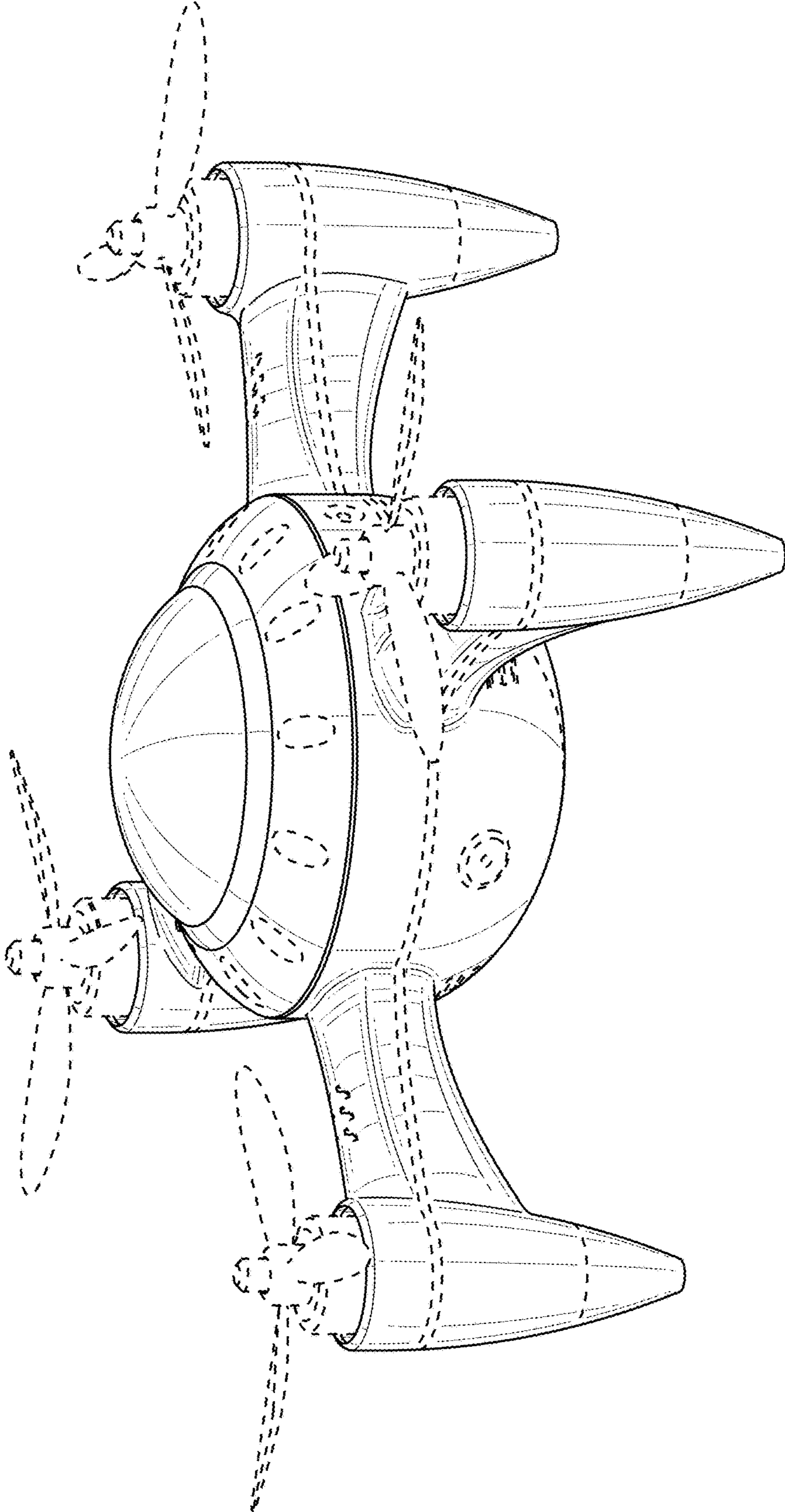
(56)

**References Cited**

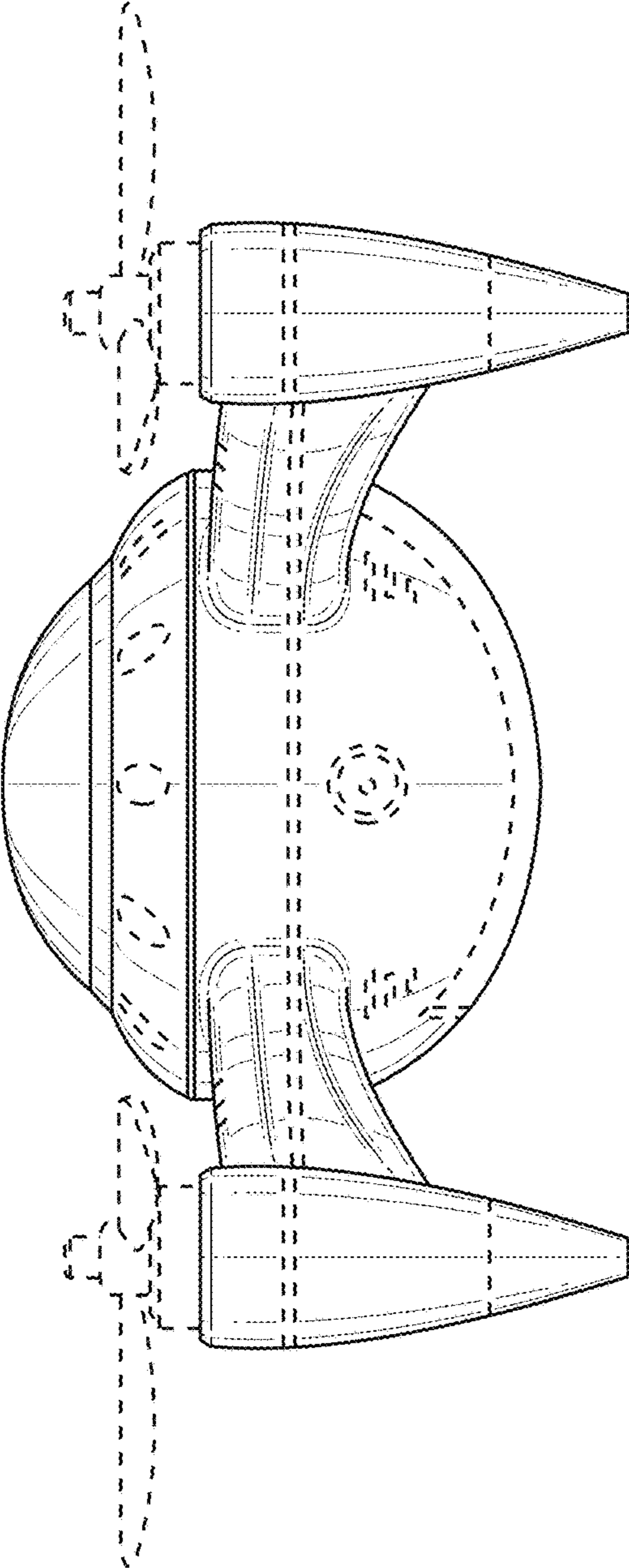
U.S. PATENT DOCUMENTS

2017/0269609 A1\* 9/2017 Bradlow ..... G05D 1/102  
2017/0274983 A1\* 9/2017 Beckman ..... B64C 11/48  
2017/0297707 A1\* 10/2017 Rollefstad ..... B64C 39/024

\* cited by examiner

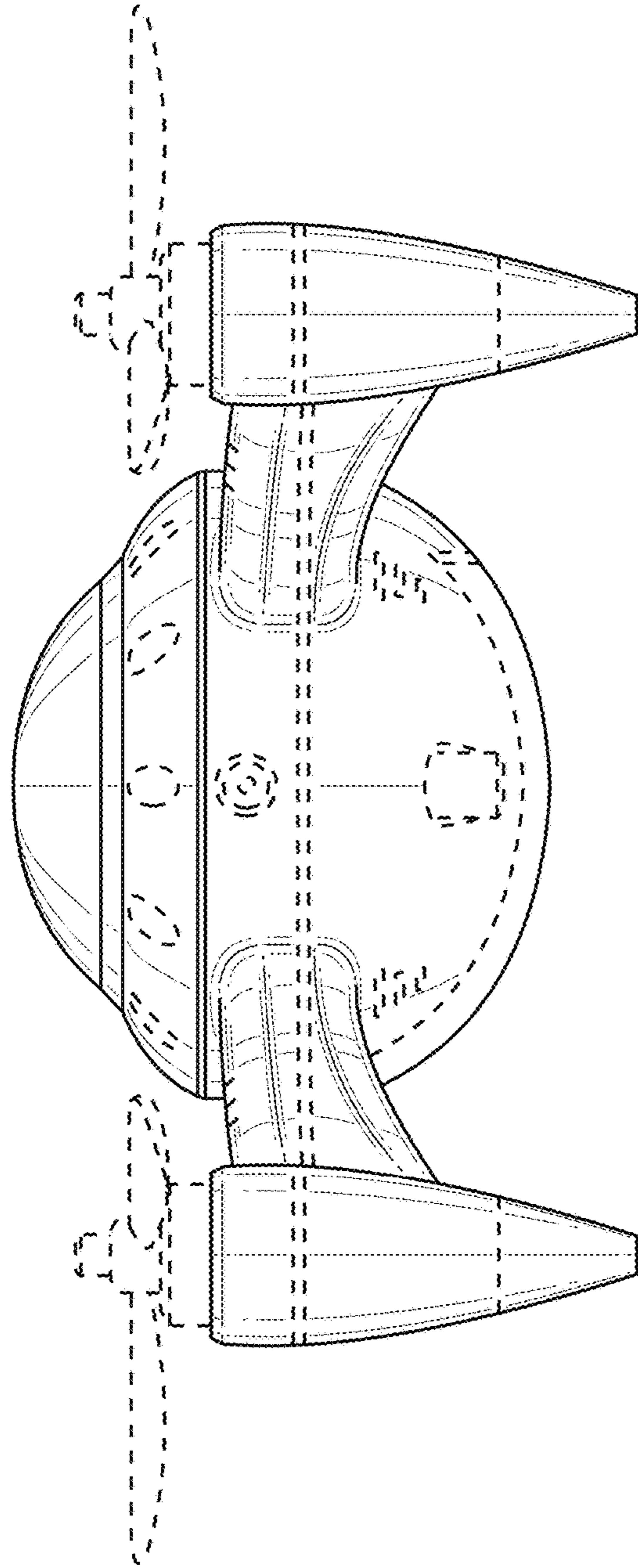


**FIG. 1**

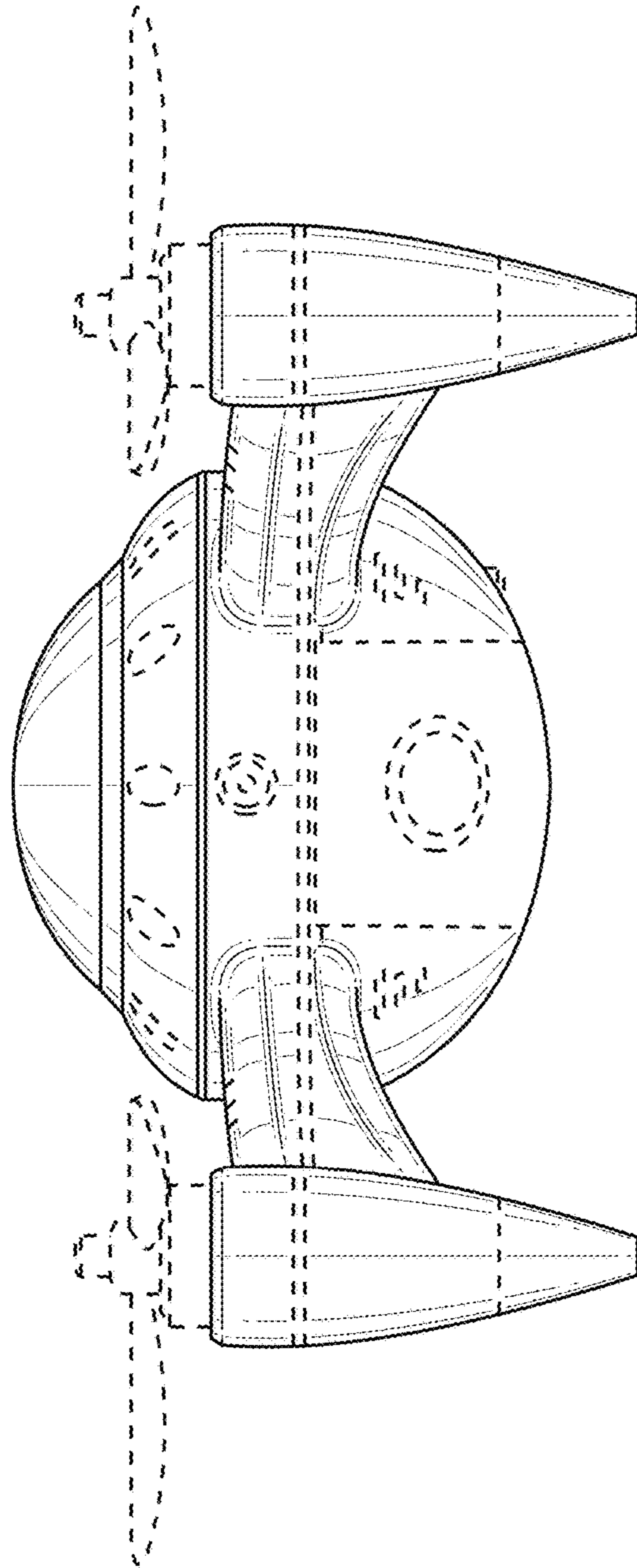


**FIG. 2**

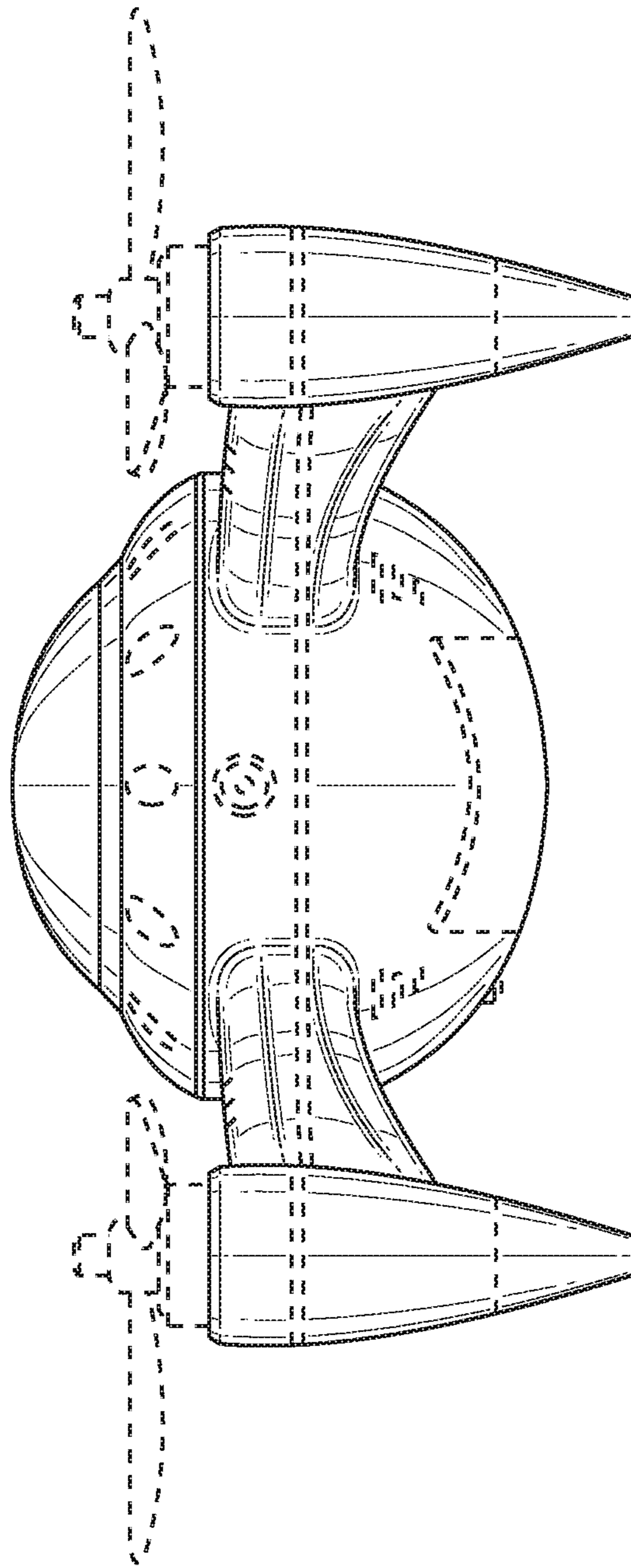




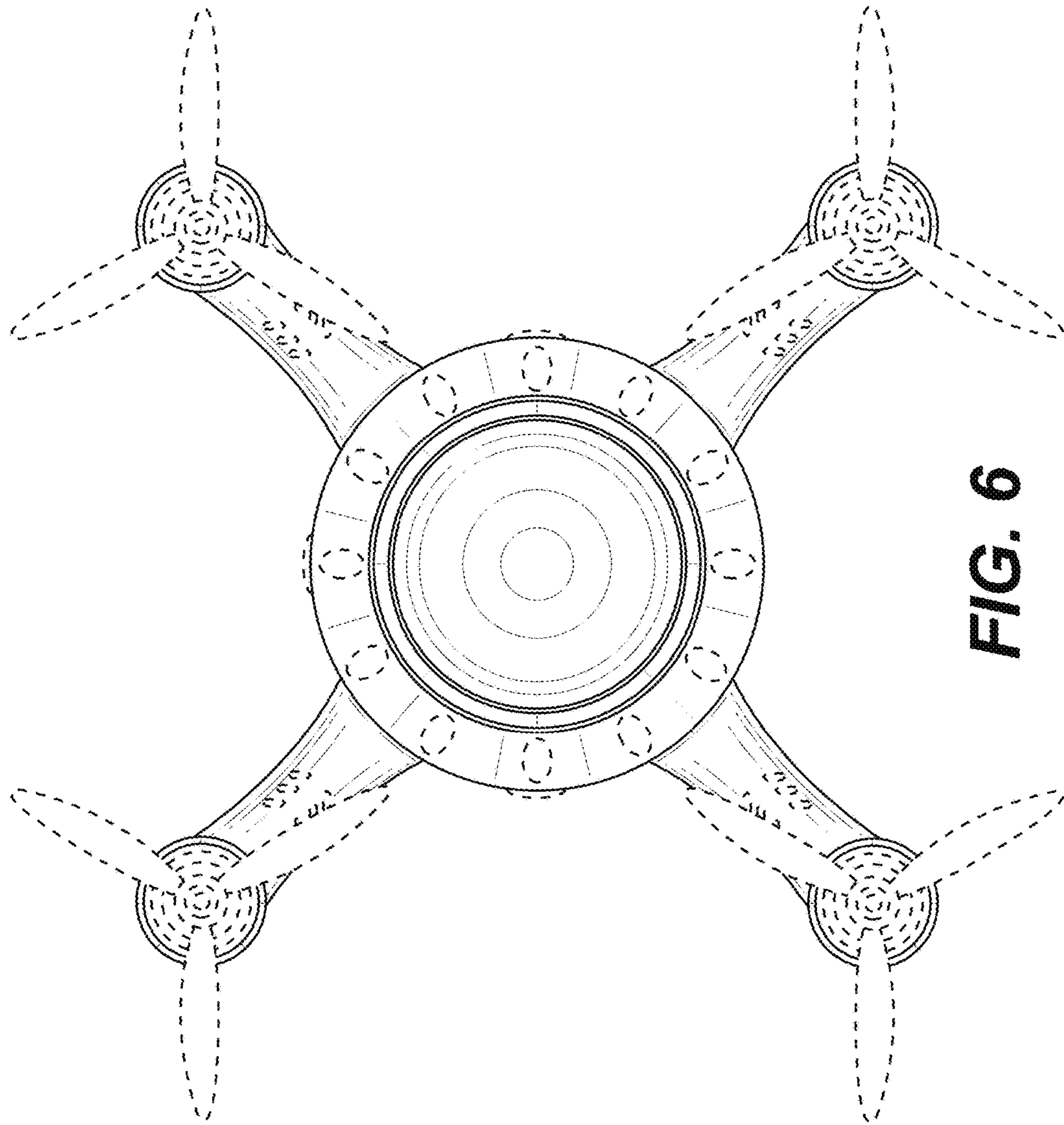
**FIG. 3**



**FIG. 4**

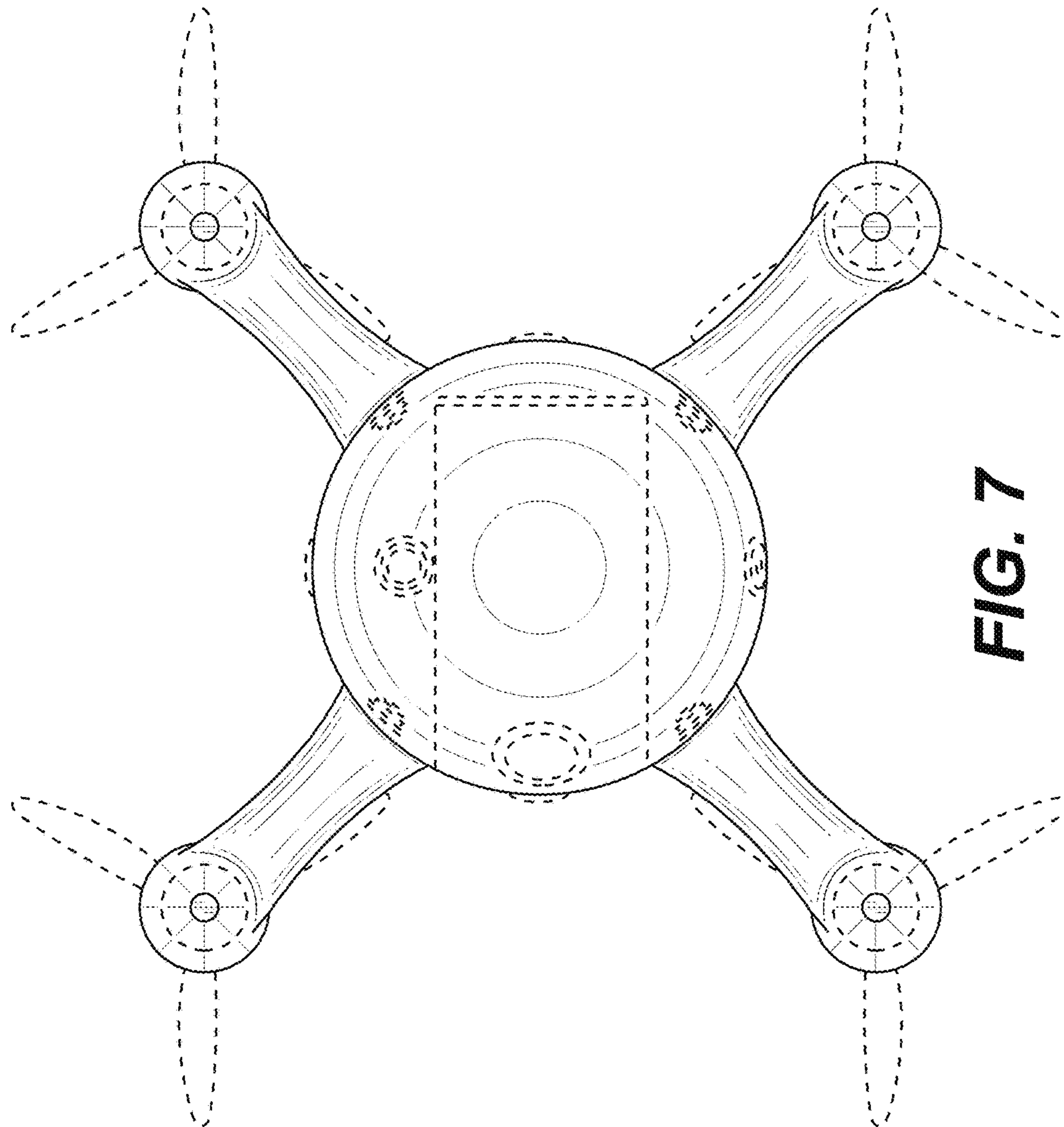


**FIG. 5**



**FIG. 6**





**FIG. 7**