



US00D814969S

(12) **United States Design Patent**
Renforth et al.

(10) **Patent No.:** **US D814,969 S**
(45) **Date of Patent:** **** Apr. 10, 2018**

(54) **BUCKLE**

- (71) Applicant: **Doskocil Manufacturing Company, Inc.**, Arlington, TX (US)
- (72) Inventors: **Jack Renforth**, Azle, TX (US); **Doug Golenz**, Littleton, CO (US); **Phil Rowe**, Frisco, CO (US)
- (73) Assignee: **DOSKOCIL MANUFACTURING COMPANY, INC.**, Arlington, TX (US)

(**) Term: **15 Years**

(21) Appl. No.: **29/576,616**

(22) Filed: **Sep. 6, 2016**

(51) **LOC (11) Cl.** **02-07**

(52) **U.S. Cl.**
USPC **D11/215**

(58) **Field of Classification Search**
USPC D11/1-2, 200-201, 206-210, 212-219;
24/163 R, 169-171, 173, 177-179, 191,
24/194-195, 197, 198, 200, 614-616,
24/625, 630, 578.11, 578.1, 163 K, 114;
D8/349, 395, 356
CPC A44B 11/06; A44B 11/26; A44B 11/25;
A41F 11/04

See application file for complete search history.

(56) **References Cited**

U.S. PATENT DOCUMENTS

- D340,886 S * 11/1993 Anscher D11/200
- 5,465,472 A * 11/1995 Matoba A44B 11/266
24/616
- D379,161 S * 5/1997 Matoba D11/216
- D381,936 S * 8/1997 Anscher D11/216
- D386,124 S * 11/1997 Anscher D11/216
- 5,791,026 A * 8/1998 Anscher A44B 11/266
24/615

(Continued)

OTHER PUBLICATIONS

Lupine Adjustable Dog Collars, LupinePet.com, [online], [site visited Nov. 14, 2017]. <URL: <https://www.lupinepet.com/adjustable-dog-collars/>> (Year: 2017).*

(Continued)

Primary Examiner — T. Chase Nelson

Assistant Examiner — Jonathan J. Han

(74) *Attorney, Agent, or Firm* — Global IP Counselors, LLP

(57) **CLAIM**

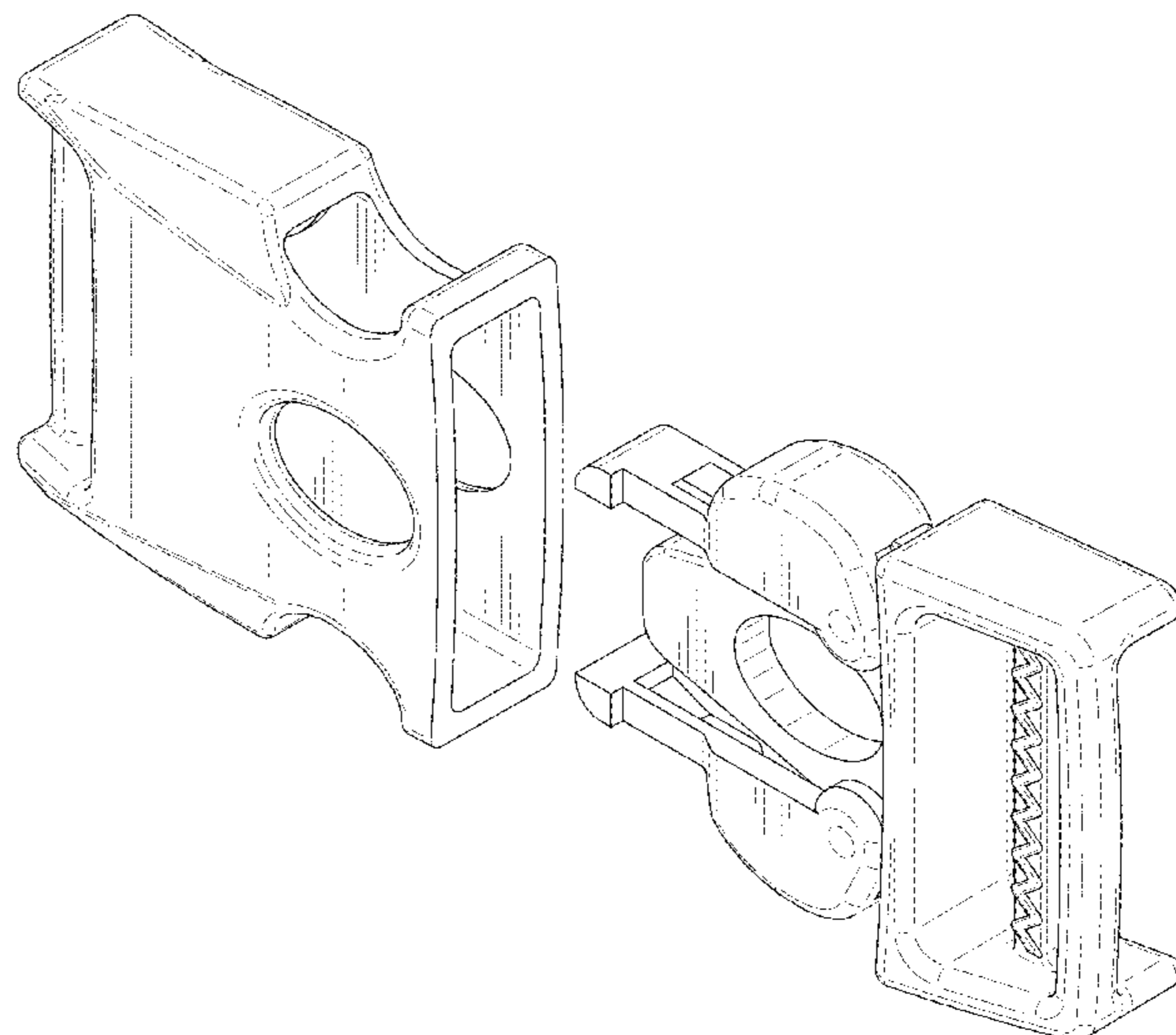
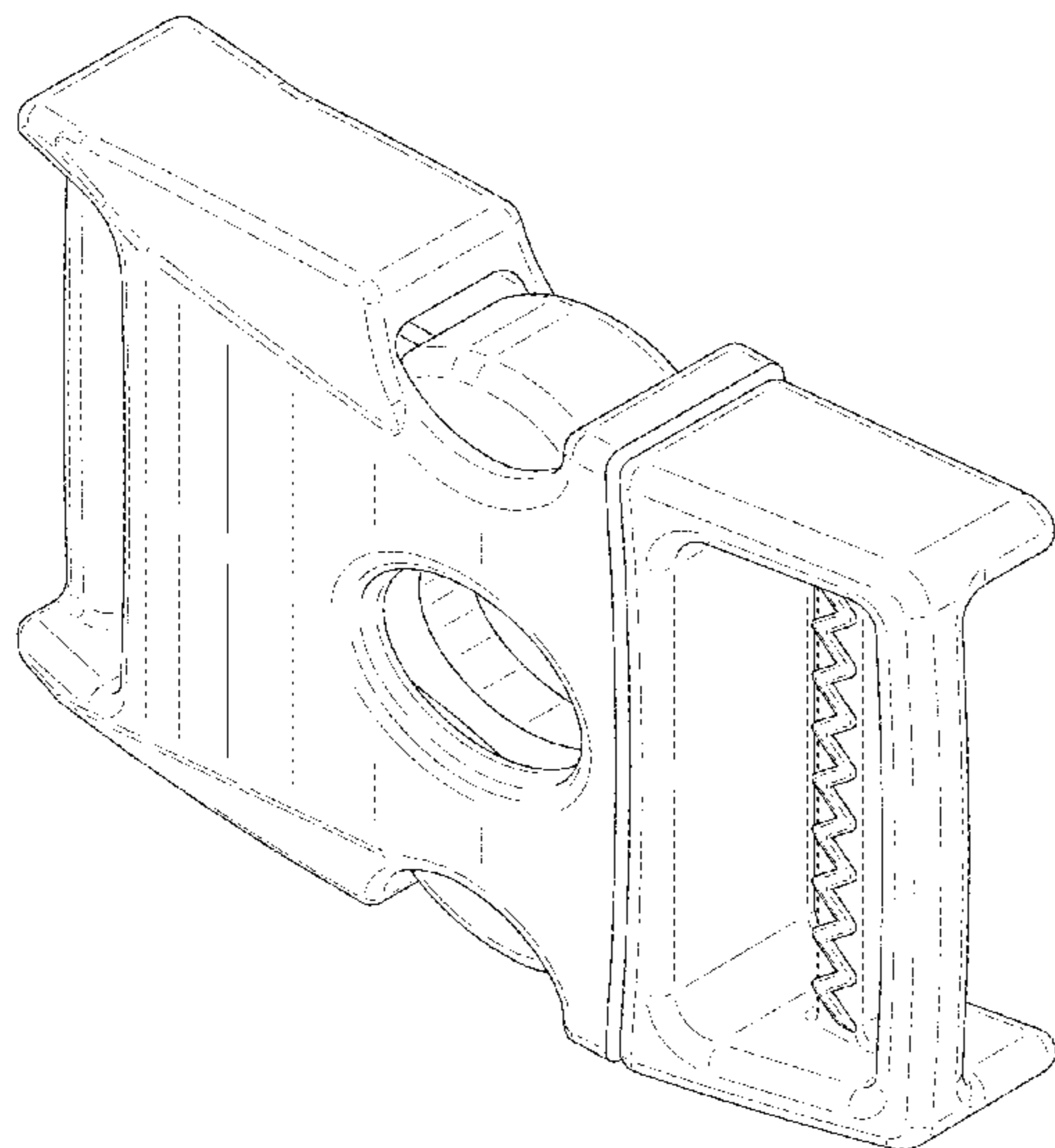
The ornamental design for a buckle, as shown and described.

DESCRIPTION

- FIG. 1 is a front perspective view of a buckle in accordance with our new design;
- FIG. 2 is a back perspective view thereof;
- FIG. 3 is a front view thereof;
- FIG. 4 is a back view thereof;
- FIG. 5 is a right side view thereof;
- FIG. 6 is a left side view thereof;
- FIG. 7 is a top view thereof;
- FIG. 8 is a bottom view thereof;
- FIG. 9 is a front perspective view of the two components of the buckle, shown unbuckled and separated for clarity of depiction;
- FIG. 10 is a back perspective view thereof;
- FIG. 11 is a front view thereof;
- FIG. 12 is a back view thereof;
- FIG. 13 is a right side view thereof;
- FIG. 14 is a left side view thereof;
- FIG. 15 is a top view thereof; and,
- FIG. 16 is a bottom view thereof.

The broken lines depict environmental subject matter, are for illustration only, and form no part of the claimed design.

1 Claim, 14 Drawing Sheets



(56)

References Cited

U.S. PATENT DOCUMENTS

6,052,875 A * 4/2000 Fudaki A44B 11/266
24/615
6,421,889 B1 * 7/2002 Chien A44B 11/266
24/614
D468,664 S * 1/2003 Nishida D11/216
D471,486 S * 3/2003 Uehara D11/216
D473,487 S * 4/2003 Kaneko D11/216
D478,023 S * 8/2003 Chen D11/216
6,684,466 B2 * 2/2004 Nishida A44B 11/263
24/614
D493,385 S * 7/2004 Uehara D11/216
D535,913 S * 1/2007 Yang D11/216
D537,382 S * 2/2007 Yang D11/216
7,174,609 B2 * 2/2007 Park A44B 11/266
24/614
D646,996 S * 10/2011 Kawaguchi D11/216
D682,152 S * 5/2013 Grimm D11/216
D724,483 S * 3/2015 Kelleghan D11/216
D734,209 S * 7/2015 Kadoishi D11/216
D739,301 S * 9/2015 Takazakura D11/216
D784,851 S * 4/2017 Lin D11/216
2005/0235470 A1 * 10/2005 Uehara A44B 11/266
24/615
2006/0218761 A1 * 10/2006 Anscher A44B 11/006
24/614

2006/0243006 A1 * 11/2006 Christensen A44B 11/266
70/58
2007/0017074 A1 * 1/2007 Pontaoe A44B 11/266
24/625
2007/0079486 A1 * 4/2007 Paik, II A44B 11/263
24/615
2010/0107370 A1 * 5/2010 Paik A44B 11/266
24/190
2010/0293763 A1 * 11/2010 Paik A44B 11/266
24/614
2016/0278487 A1 * 9/2016 Postolek A44B 11/2573

OTHER PUBLICATIONS

Liberty Mountain Quick Release Strap, Amazon.com, [online], [site visited Nov. 14, 2017]. <URL: https://www.amazon.com/Liberty-Mountain-Quick-Release-36-Inch/dp/B001OPK2DK/ref=sr_1_7?ie=UTF8&qid=1510698125&sr=8-7&keywords=buckle> (Year: 2017).*

Double Adjust Side Release Buckles, StrapWorks.com, [online], [site visited Nov. 14, 2017]. <URL: http://www.strapworks.com/Side_Release_Buckles_p/srbda.htm> (Year: 2017).*

20 sets/lot 26mm 1inch black POM plastic buckles, dhGate.com, [online], [site visited Nov. 14, 2017]. <URL: <https://www.dhgate.com/product/26mm-1inch-black-pom-plastic-buckles-oval/398003129.html>> (Year: 2017).*

* cited by examiner

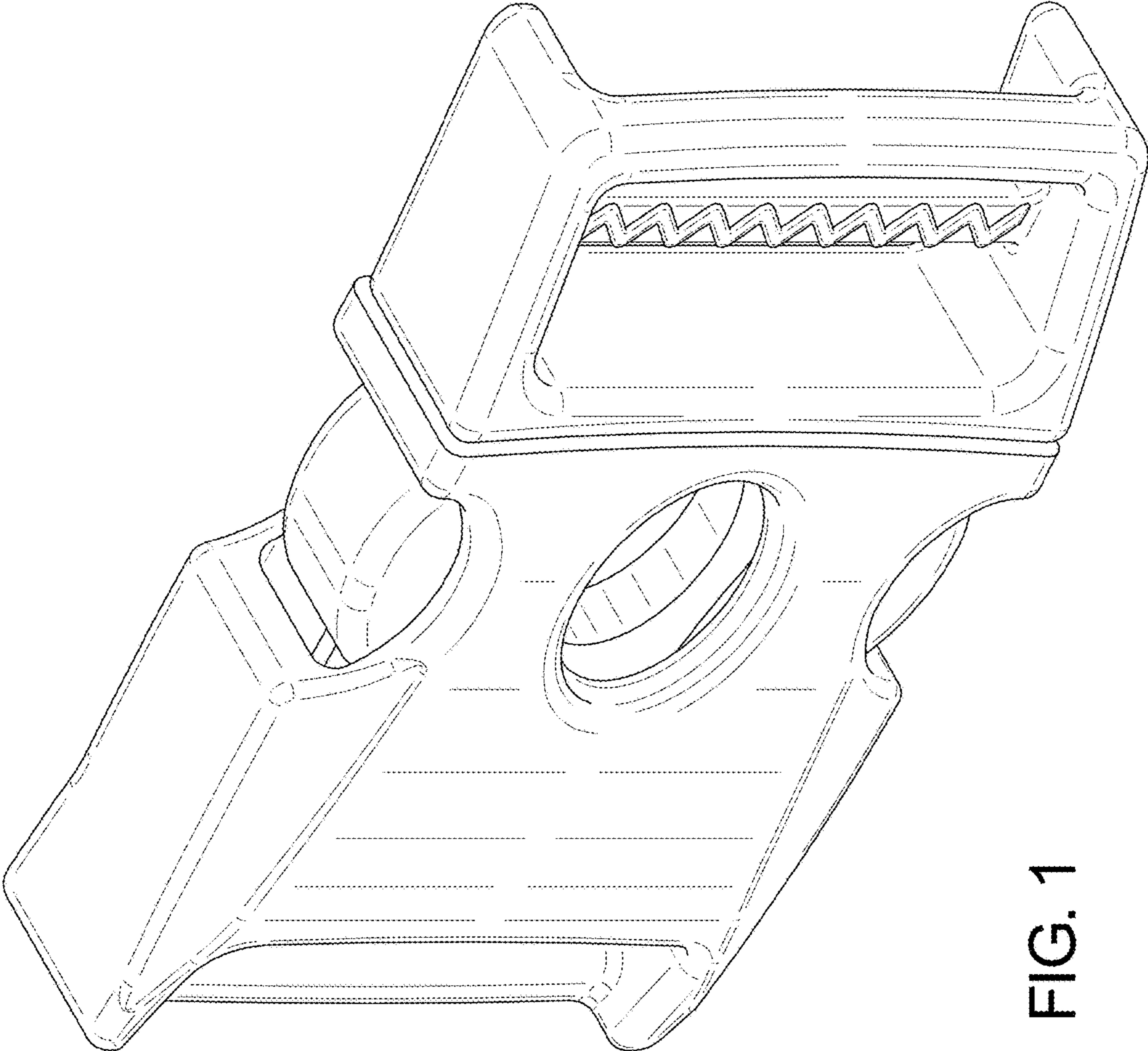


FIG. 1

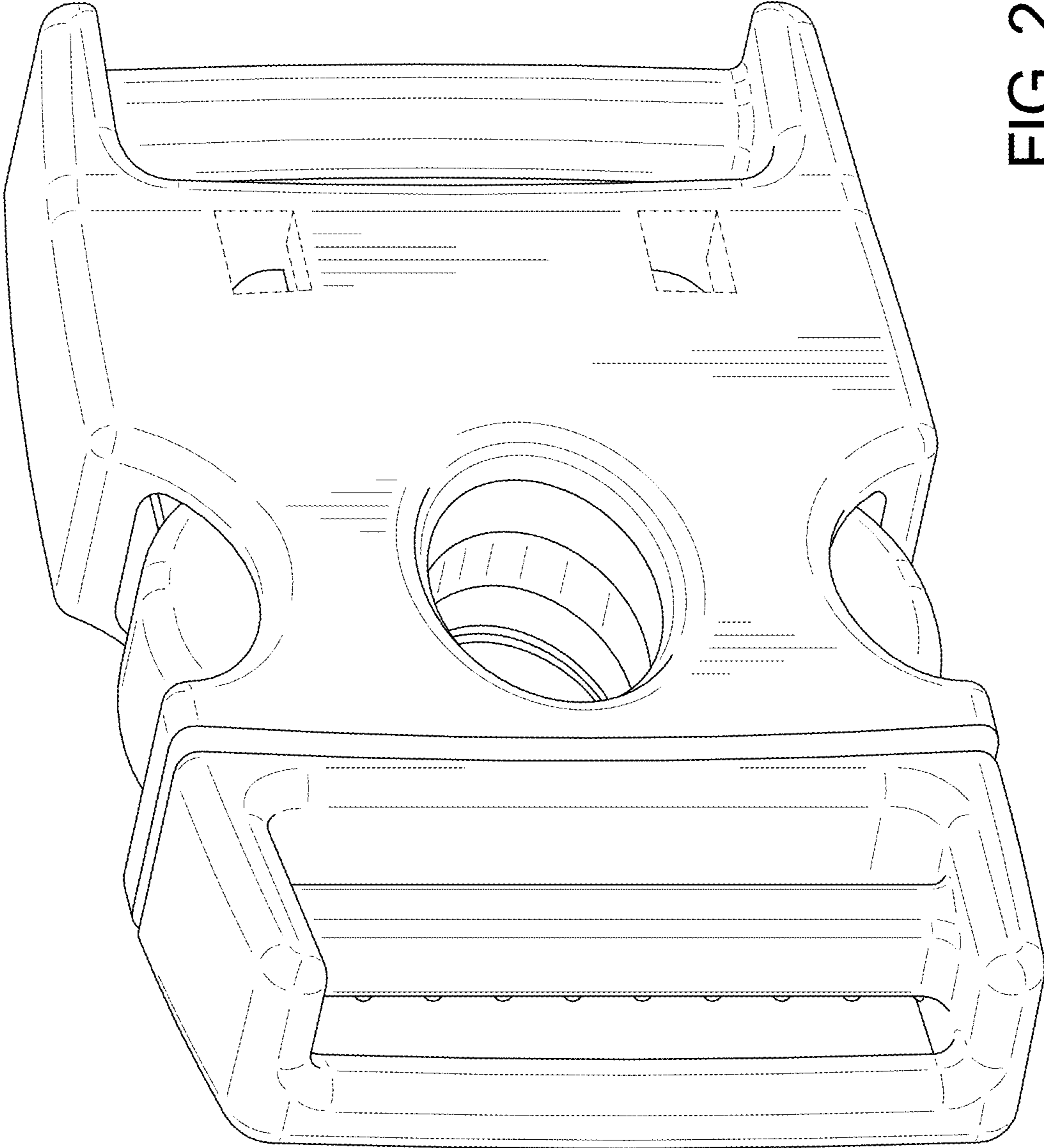


FIG. 2

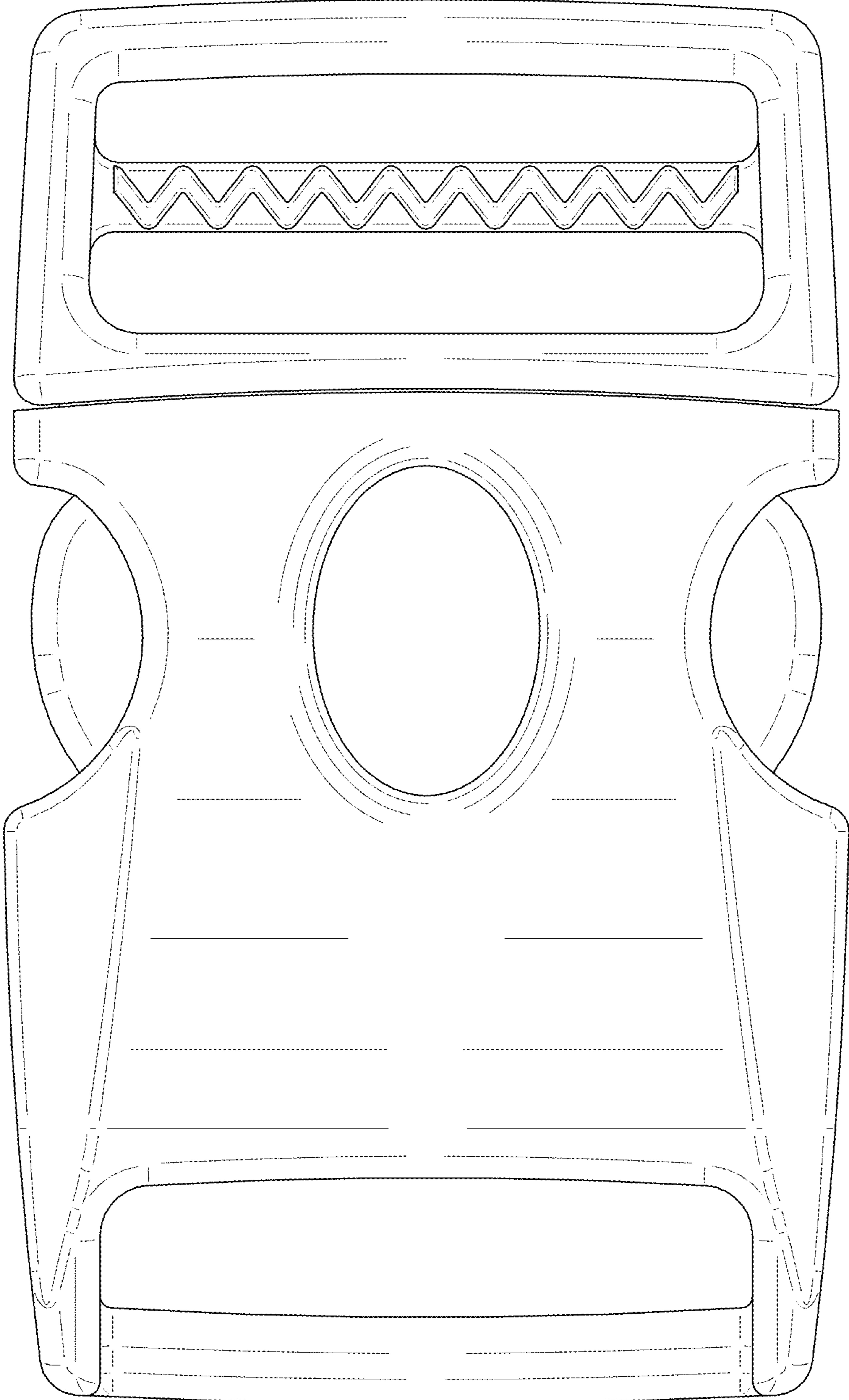


FIG. 3

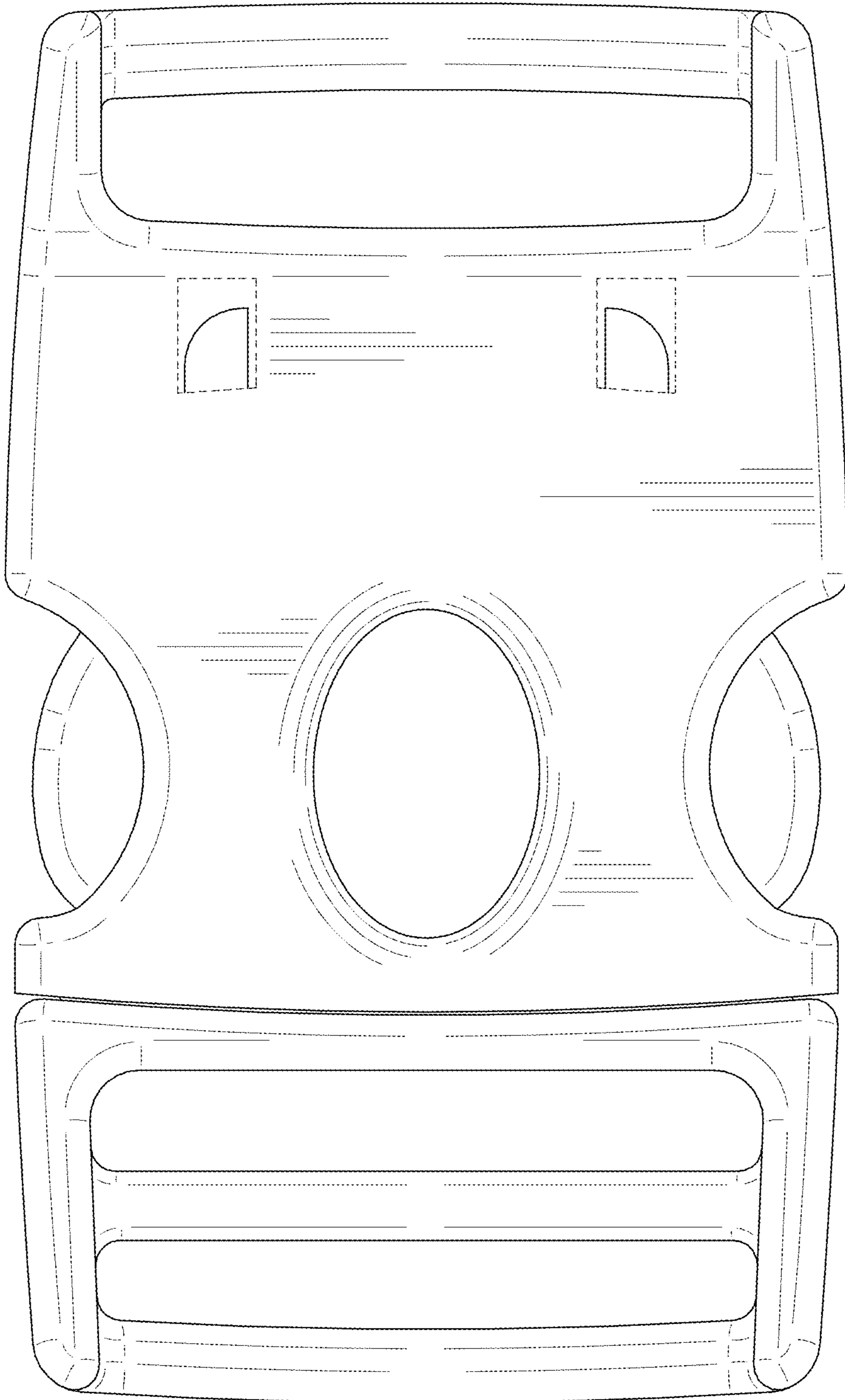


FIG. 4

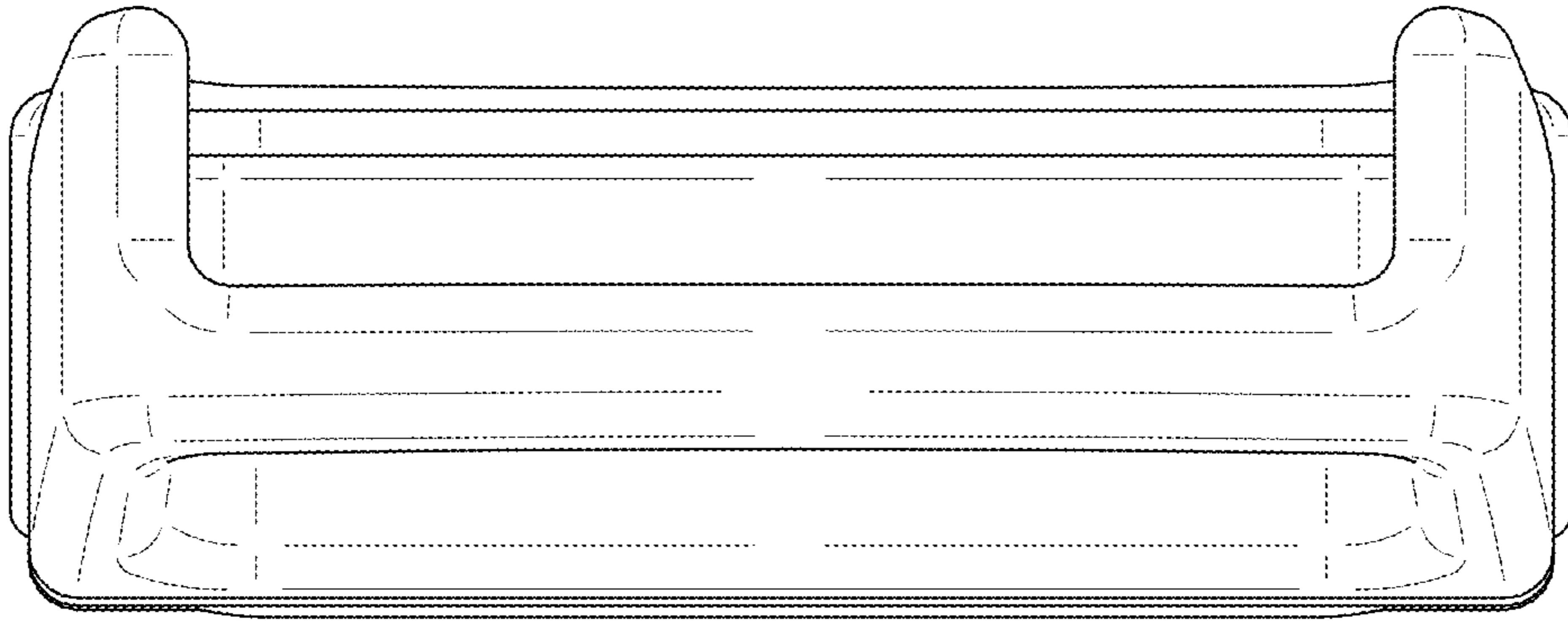


FIG. 6

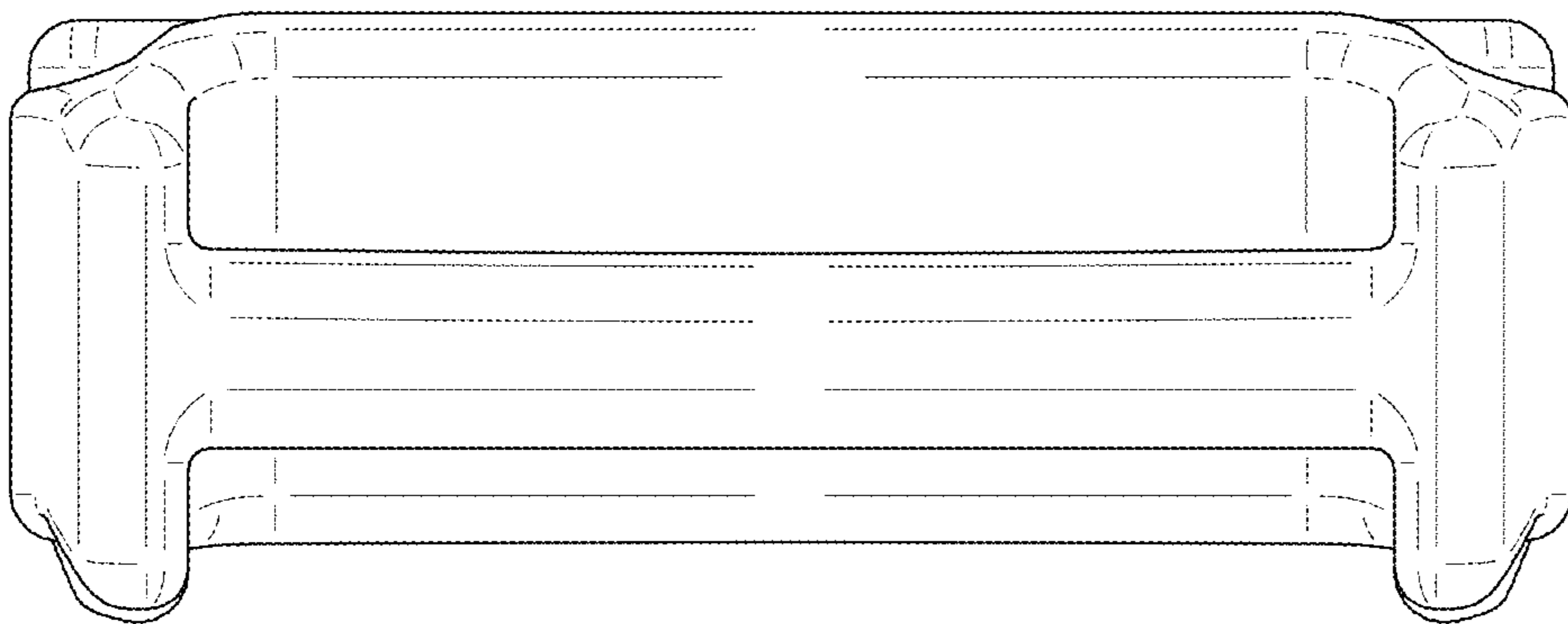


FIG. 5

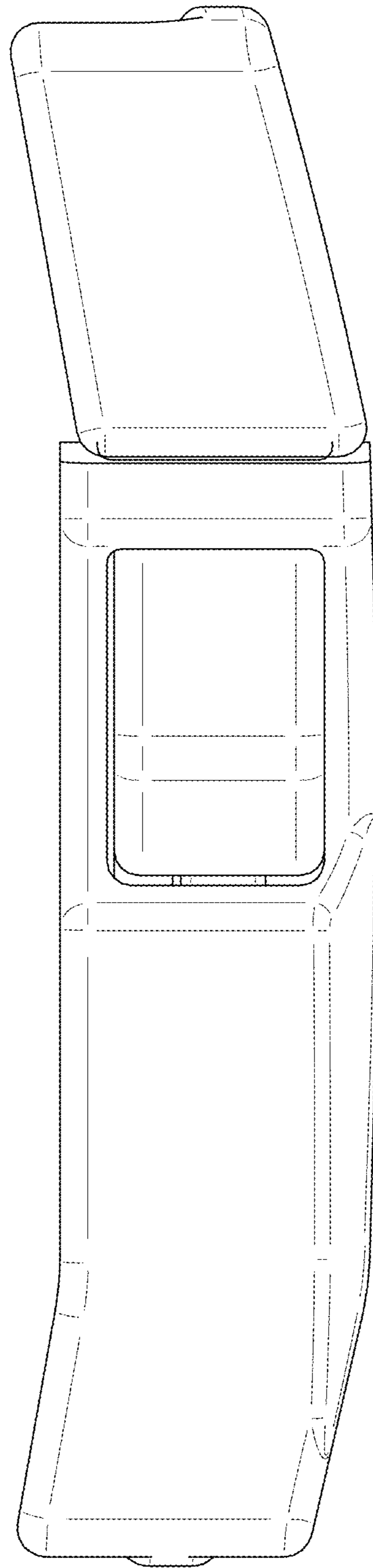


FIG. 7

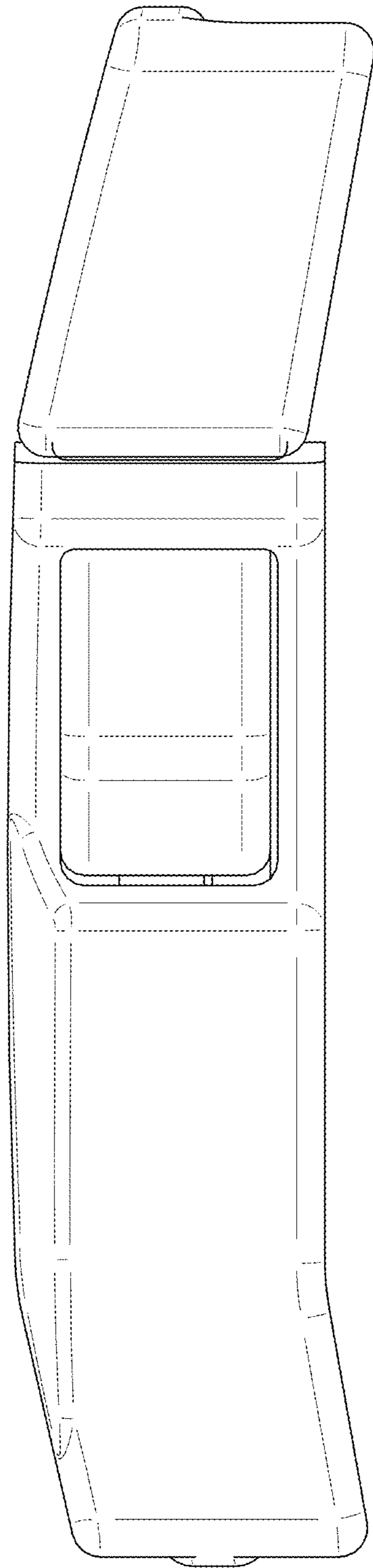


FIG. 8

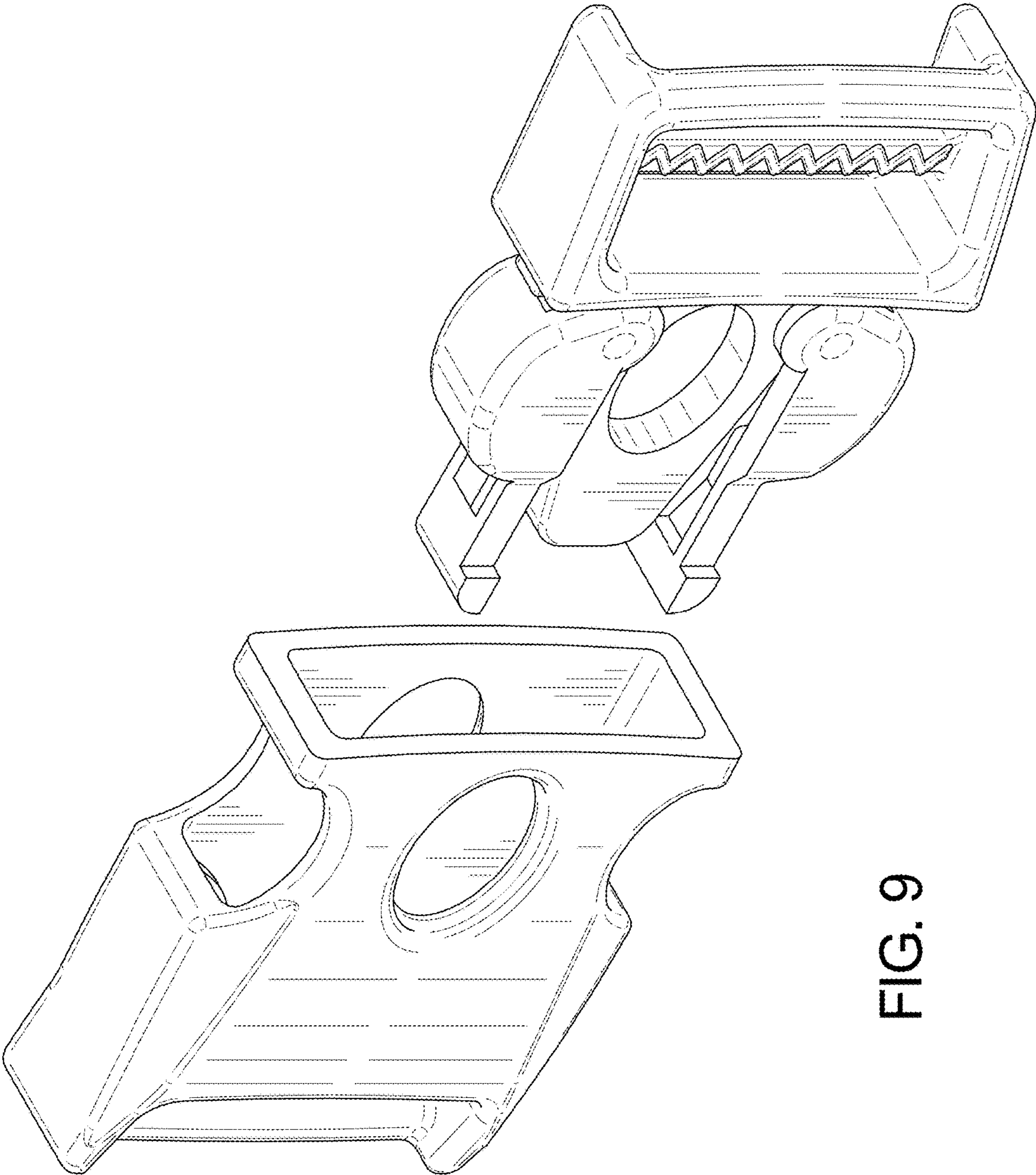


FIG. 9

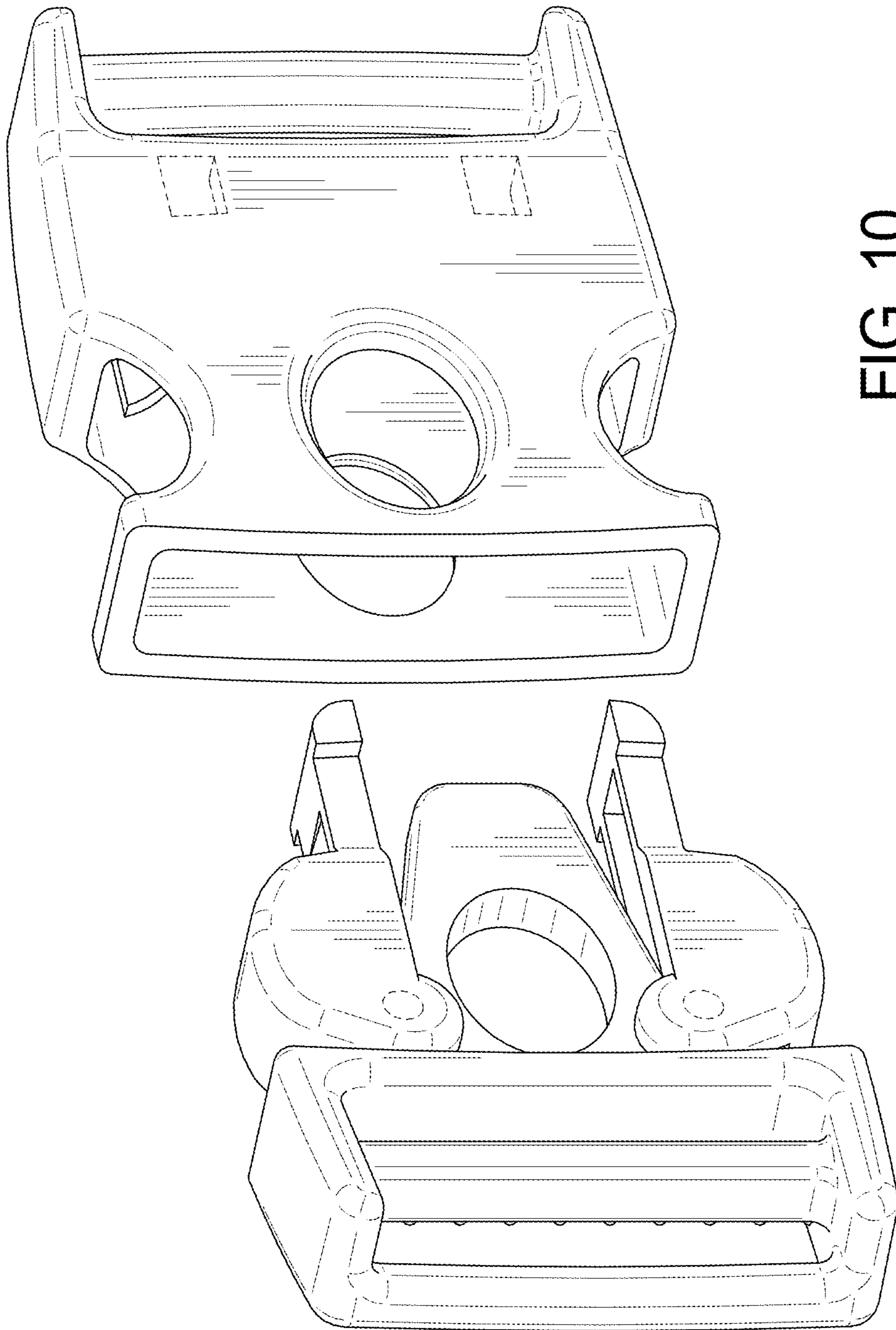


FIG. 10

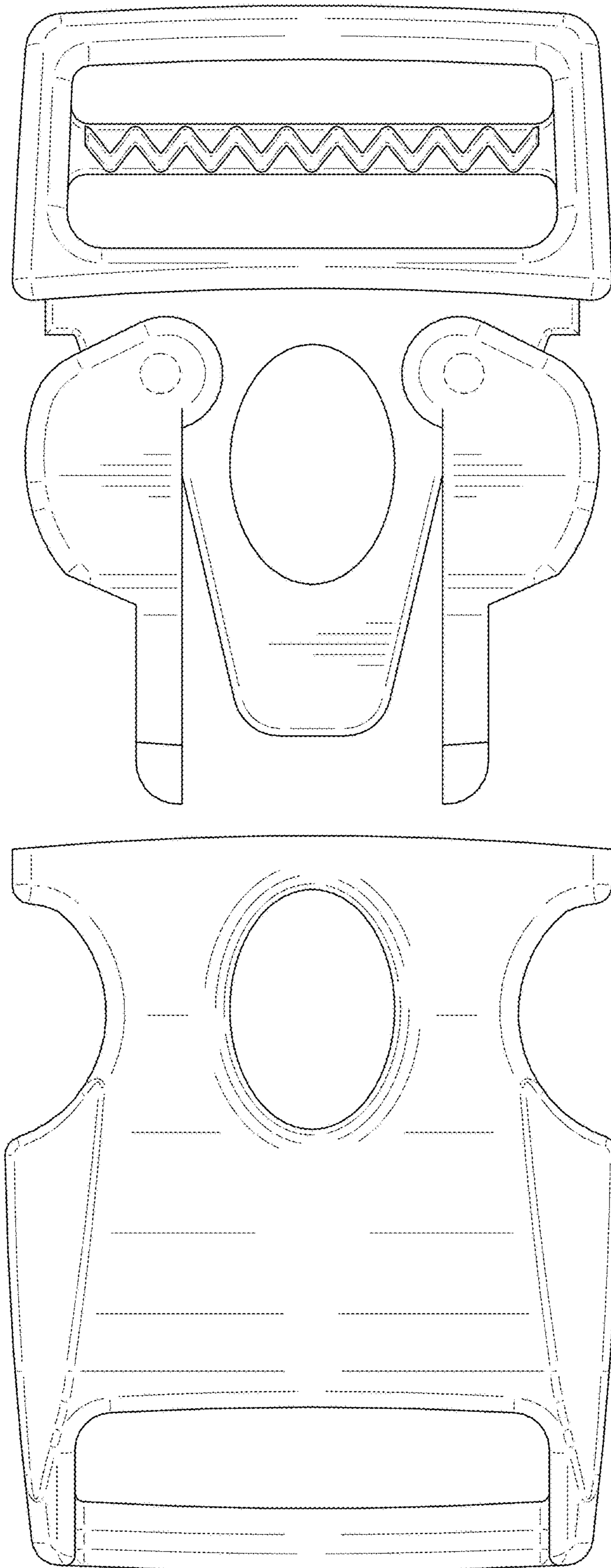


FIG. 11

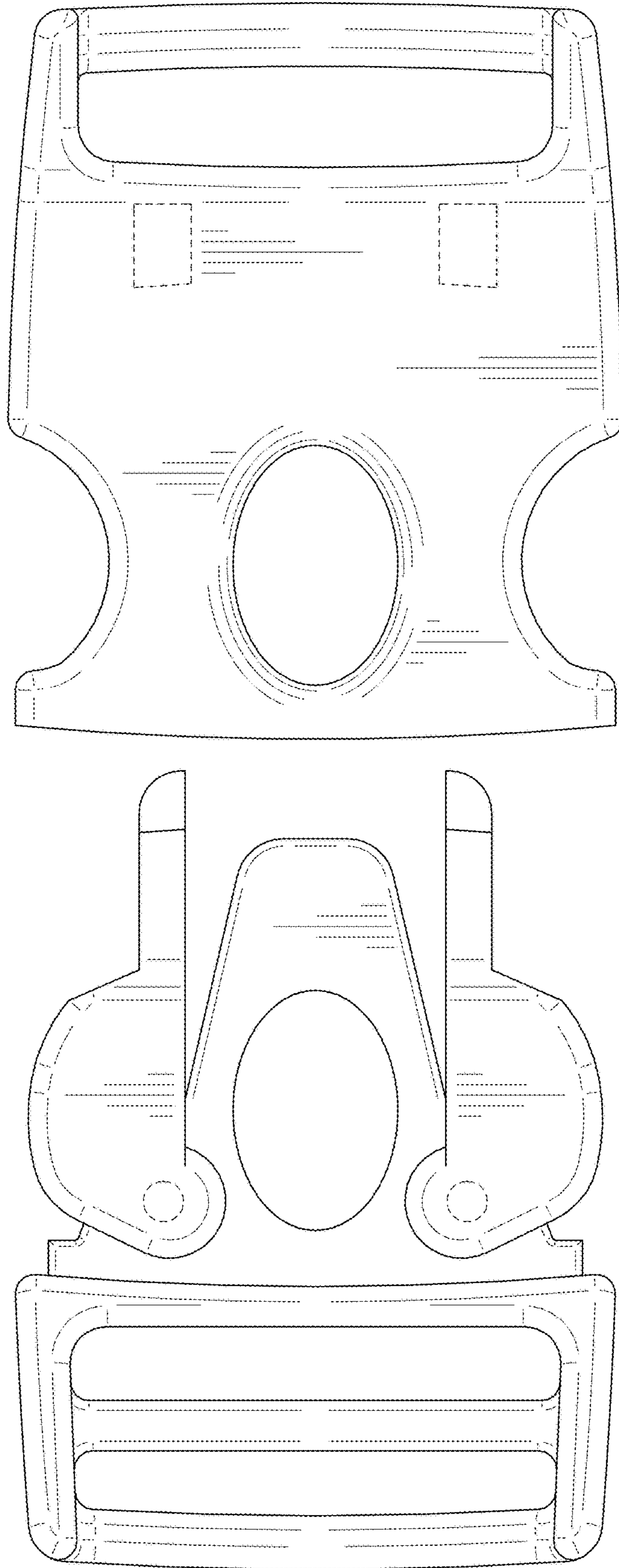


FIG. 12

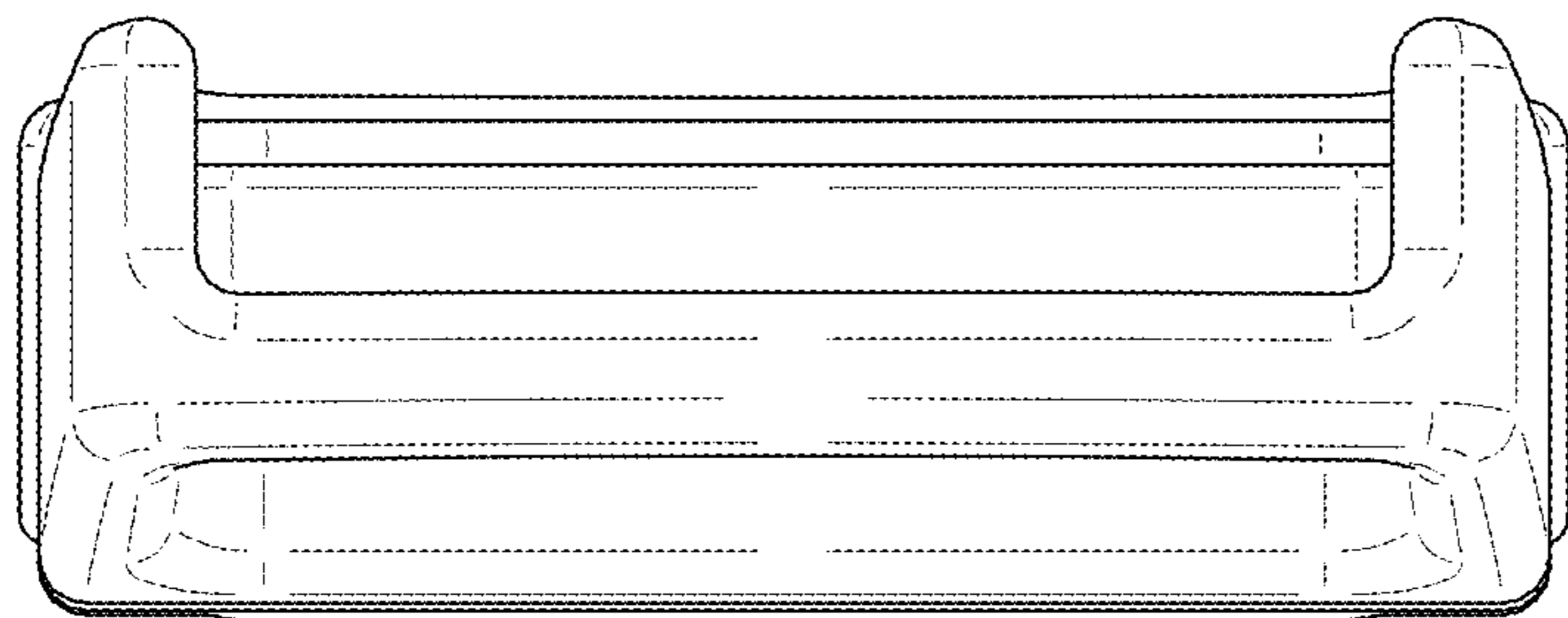


FIG. 14

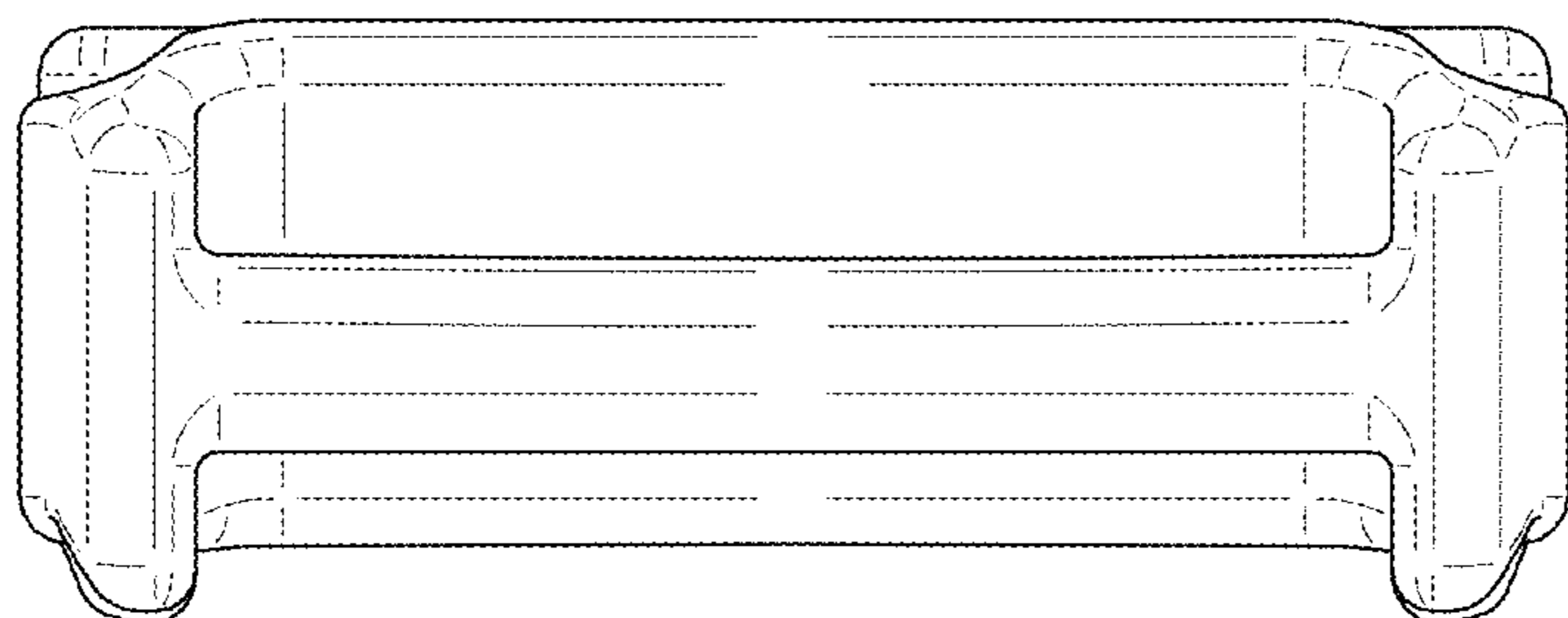


FIG. 13

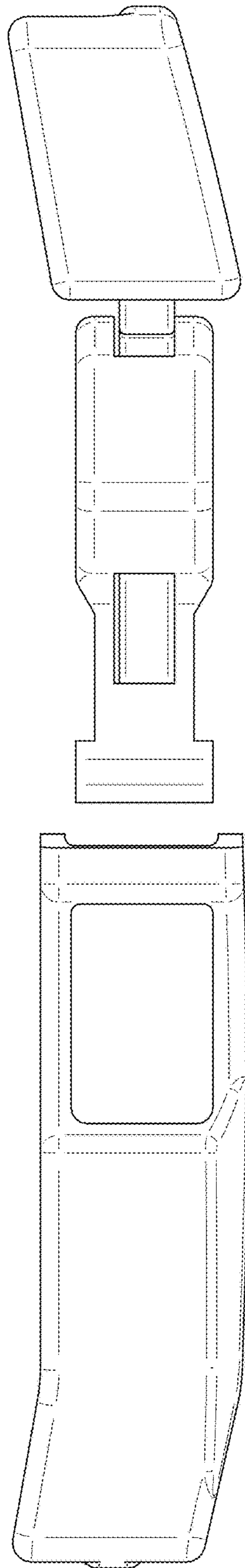


FIG. 15

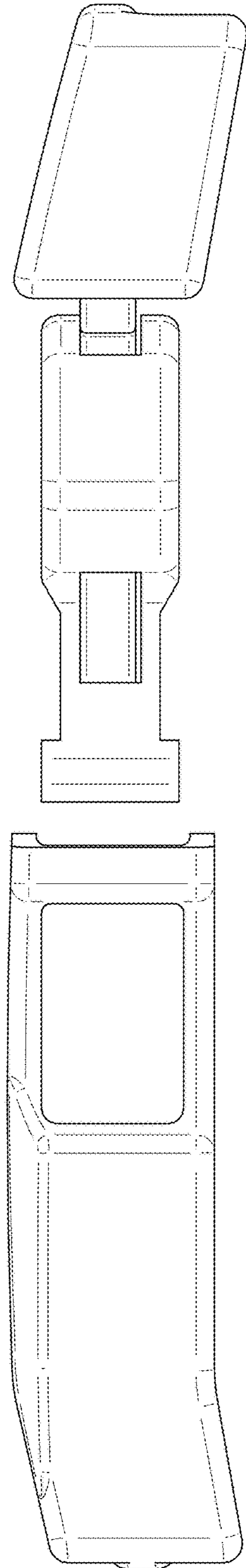


FIG. 16