



US00D814968S

(12) **United States Design Patent**
Renforth et al.

(10) **Patent No.:** **US D814,968 S**
(45) **Date of Patent:** **** Apr. 10, 2018**

(54) **BUCKLE**

(71) Applicant: **Doskocil Manufacturing Company, Inc.**, Arlington, TX (US)
(72) Inventors: **Jack Renforth**, Azle, TX (US); **Doug Golenz**, Littleton, CO (US); **Phil Rowe**, Frisco, CO (US)
(73) Assignee: **DOSKOCIL MANUFACTURING COMPANY, INC.**, Arlington, TX (US)

(**) Term: **15 Years**

(21) Appl. No.: **29/576,614**

(22) Filed: **Sep. 6, 2016**

(51) **LOC (11) Cl.** **02-07**

(52) **U.S. Cl.**
USPC **D11/215**

(58) **Field of Classification Search**
USPC D11/1-2, 200-201, 206-210, 212-219;
24/163 R, 169-171, 173, 177-179, 191,
24/194-195, 197, 198, 200, 614-616,
24/625, 630, 578.11, 578.1, 163 K, 114;
D8/349, 395, 356
CPC A44B 11/06; A44B 11/26; A44B 11/25;
A41F 11/04
See application file for complete search history.

(56) **References Cited**

U.S. PATENT DOCUMENTS

D340,886 S * 11/1993 Anscher D11/200
5,465,472 A * 11/1995 Matoba A44B 11/266
24/616
D379,161 S * 5/1997 Matoba D11/216
D381,936 S * 8/1997 Anscher D11/216
D386,124 S * 11/1997 Anscher D11/216
5,791,026 A * 8/1998 Anscher A44B 11/266
24/615

(Continued)

OTHER PUBLICATIONS

KJM factory price plastic buckles, GlobalSources.com, [online], [site visited Nov. 14, 2017]. <URL: <http://www.globalsources.com/gsol/1/Side-release/p/sm/1153786545.htm#1153786545>> (Year: 2017).*

(Continued)

Primary Examiner — T. Chase Nelson

Assistant Examiner — Jonathan J. Han

(74) *Attorney, Agent, or Firm* — Global IP Counselors, LLP

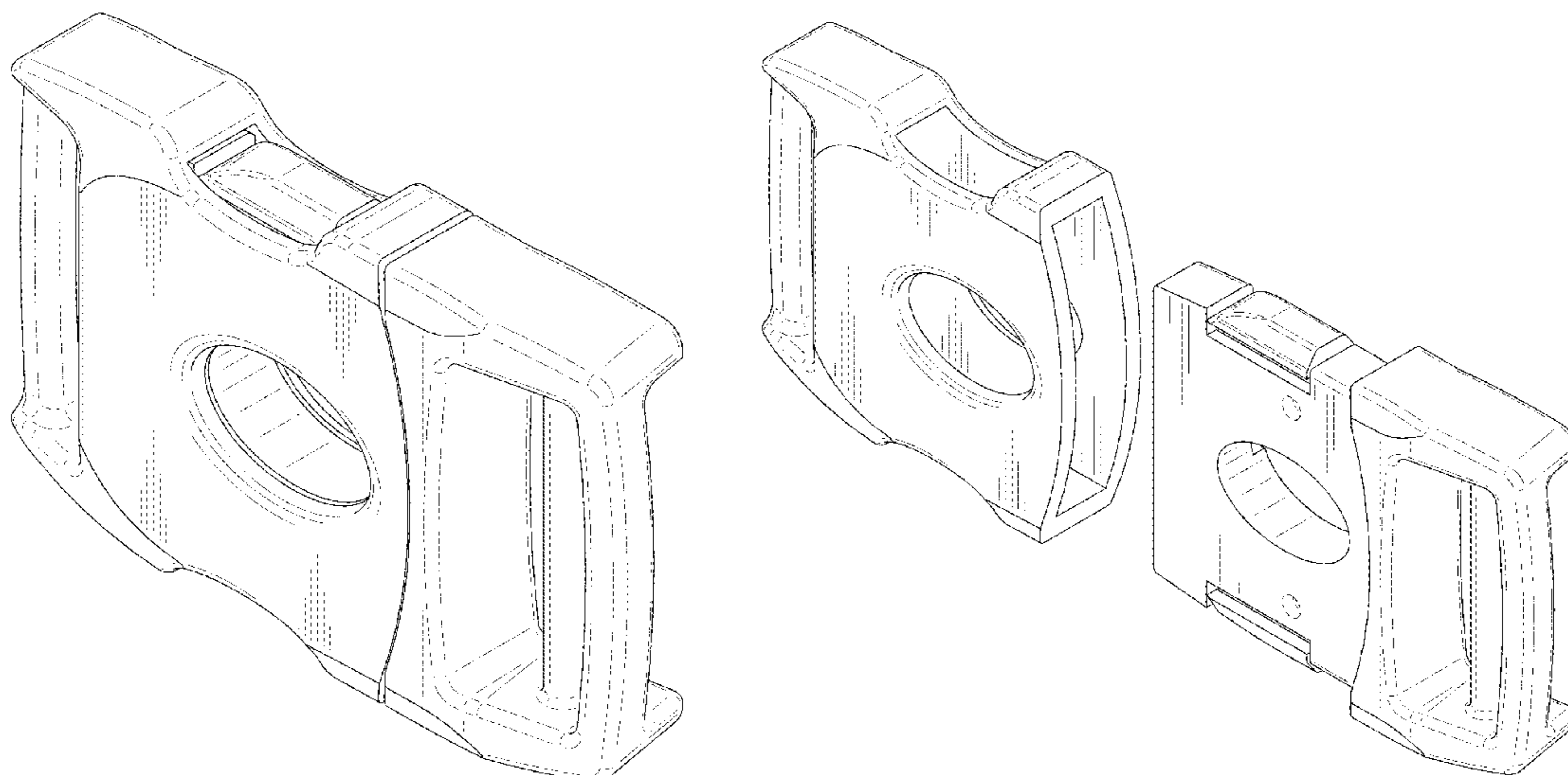
(57) **CLAIM**

The ornamental design for a buckle, as shown and described.

DESCRIPTION

FIG. 1 is a front perspective view of a buckle in accordance with our new design;
FIG. 2 is a back perspective view thereof;
FIG. 3 is a front view thereof;
FIG. 4 is a back view thereof;
FIG. 5 is a right side view thereof;
FIG. 6 is a left side view thereof;
FIG. 7 is a top view thereof;
FIG. 8 is a bottom view thereof;
FIG. 9 is a front perspective view of the two components of the buckle, shown unbuckled and separated for clarity of depiction;
FIG. 10 is a back perspective view thereof;
FIG. 11 is a front view thereof;
FIG. 12 is a back view thereof;
FIG. 13 is a right side view thereof;
FIG. 14 is a left side view thereof;
FIG. 15 is a top view thereof; and,
FIG. 16 is a bottom view thereof.
The broken lines depict environmental subject matter, are for illustration only, and form no part of the claimed design.

1 Claim, 14 Drawing Sheets



(56)

References Cited

U.S. PATENT DOCUMENTS

6,052,875 A * 4/2000 Fudaki A44B 11/266
24/615
6,421,889 B1 * 7/2002 Chien A44B 11/266
24/614
D468,664 S * 1/2003 Nishida D11/216
D478,023 S * 8/2003 Chen D11/216
6,684,466 B2 * 2/2004 Nishida A44B 11/263
24/614
D537,382 S * 2/2007 Yang D11/216
7,174,609 B2 * 2/2007 Park A44B 11/266
24/614
D682,152 S * 5/2013 Grimm D11/216
D701,792 S * 4/2014 Kelleghan D11/216
D715,186 S * 10/2014 Kung D11/216
D734,209 S * 7/2015 Kadoishi D11/216
D739,301 S * 9/2015 Takazakura D11/216
D784,851 S * 4/2017 Lin D11/216
2005/0235470 A1 * 10/2005 Uehara A44B 11/266
24/615
2006/0218761 A1 * 10/2006 Anscher A44B 11/006
24/614
2006/0243006 A1 * 11/2006 Christensen A44B 11/266
70/58
2006/0272136 A1 * 12/2006 Chui A44B 11/266
24/614
2007/0079486 A1 * 4/2007 Paik A44B 11/263
24/615

2007/0089280 A1 * 4/2007 Pontaoe A44B 11/266
24/614
2010/0107370 A1 * 5/2010 Paik A44B 11/266
24/190
2010/0293763 A1 * 11/2010 Paik A44B 11/266
24/614
2011/0173783 A1 * 7/2011 Kaneko A44B 11/266
24/615
2012/0260474 A1 * 10/2012 Yoshie A44B 11/266
24/642
2013/0189631 A1 * 7/2013 Mojica F23Q 1/06
431/274
2016/0278487 A1 * 9/2016 Postolek A44B 11/2573

OTHER PUBLICATIONS

PH325H Tension Curved Side Release Buckle, Plastic-Buckle.com, [online], [site visited Nov. 14, 2017]. <URL: <https://www.plastic-buckle.com/ph325h-tension-curved-side-release-buckle.aspx>> (Year: 2017).*

PS20 Curved Side Release Buckle with Center Lock, Plastic-Buckle.com, [online], [site visited Nov. 14, 2017]. <URL: <https://www.plastic-buckle.com/ps20-curved-side-release-buckle-with-center-lock.aspx>> (Year: 2017).*

4494/4915 1 1/2" Mojave Plastic Dual Side Release Buckle, BuckleGuy.com, [online], [site visited Nov. 14, 2017]. <URL: <https://www.buckleGuy.com/4494-4915-1-1-2-mojave-plastic-dual-side-release-buckle/>> (Year: 2017).*

* cited by examiner

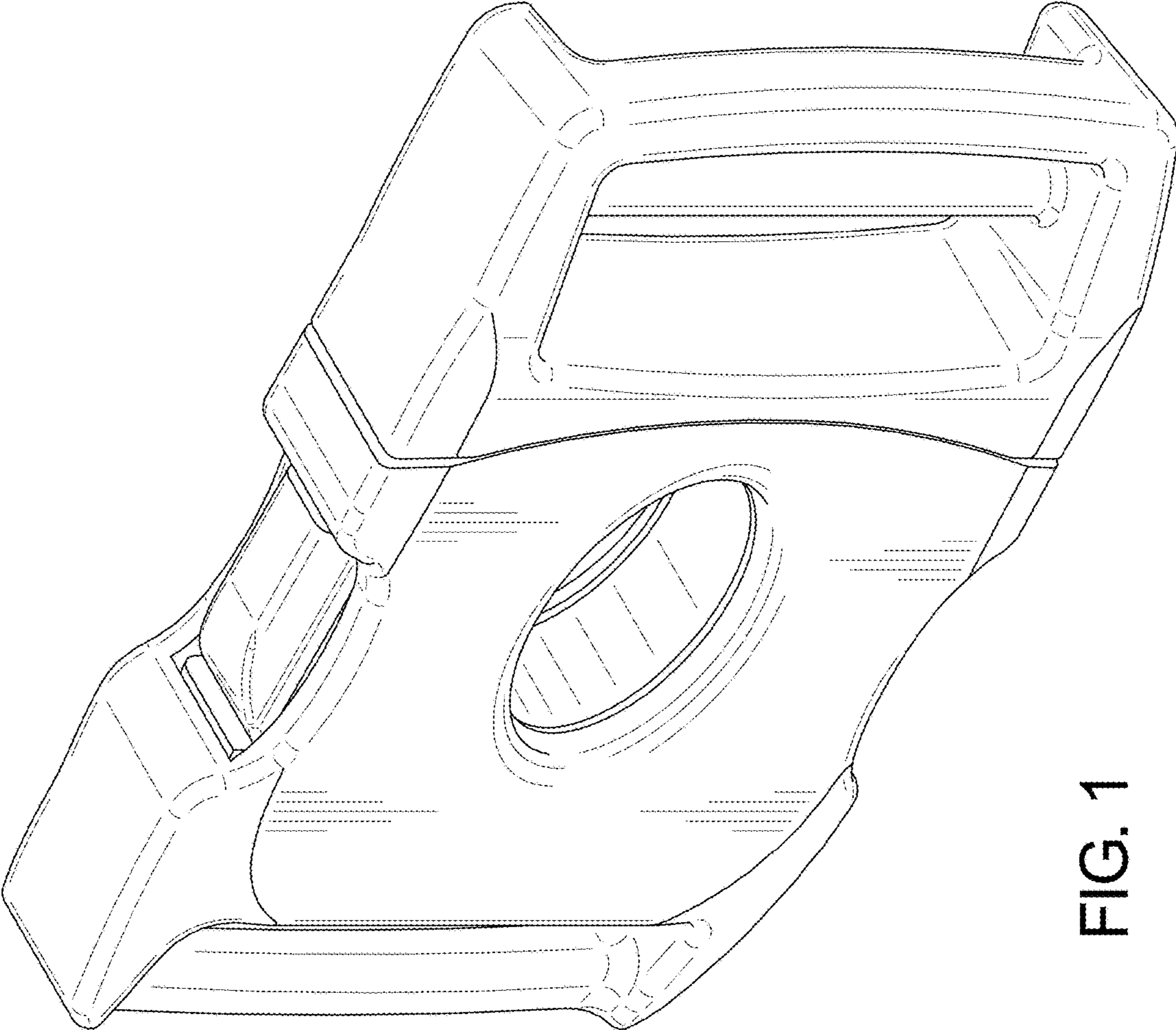


FIG. 1

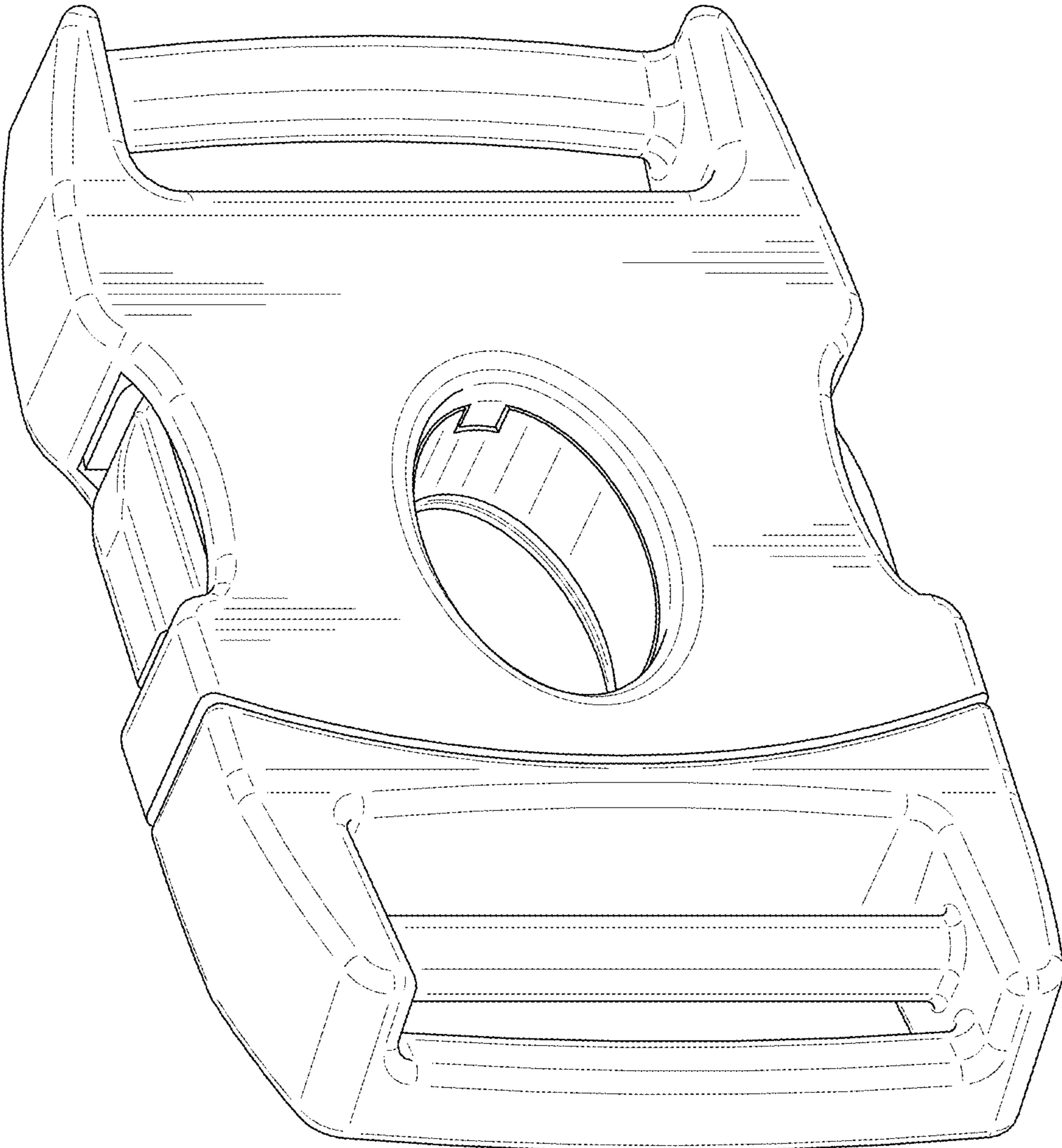


FIG. 2

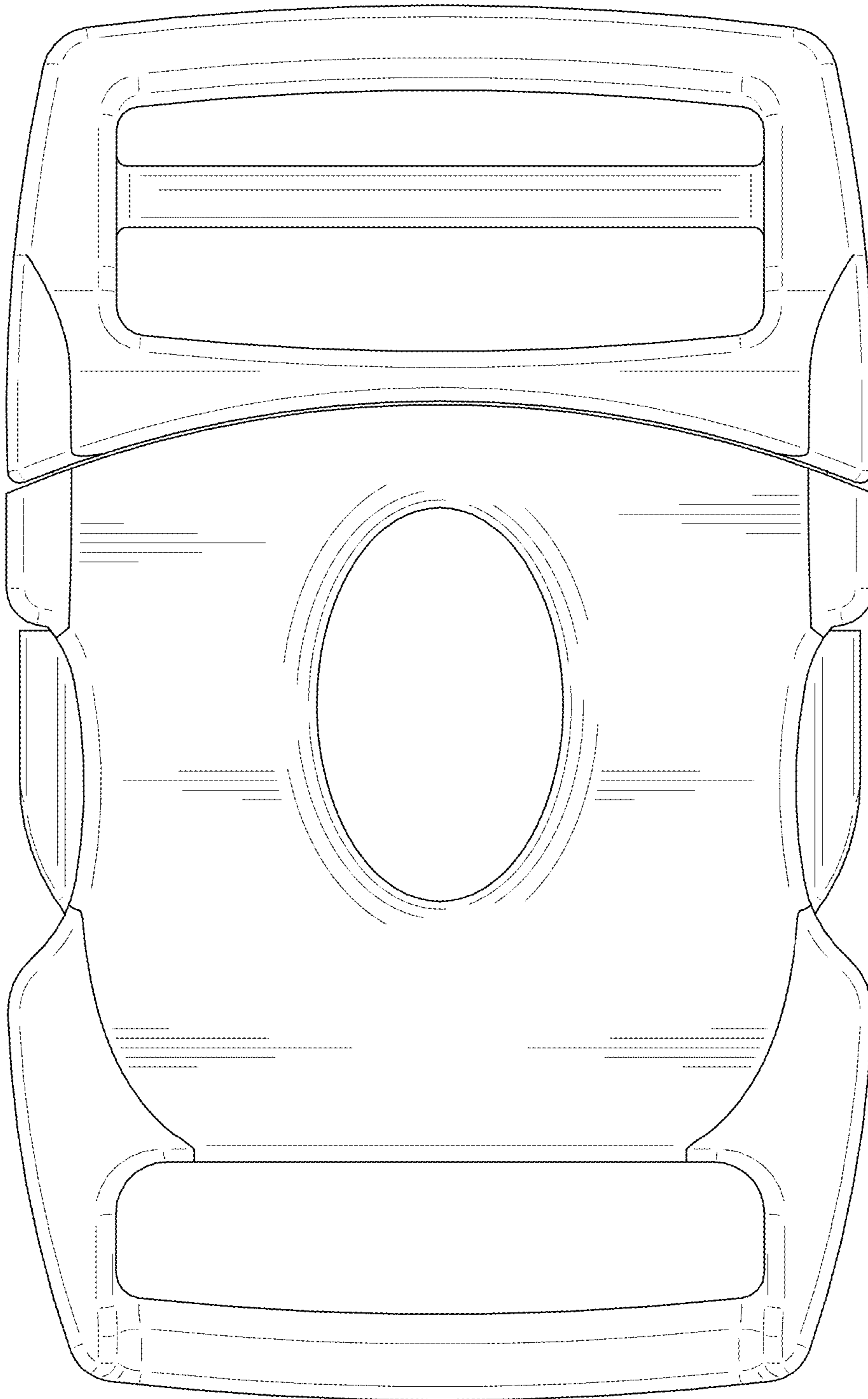


FIG. 3

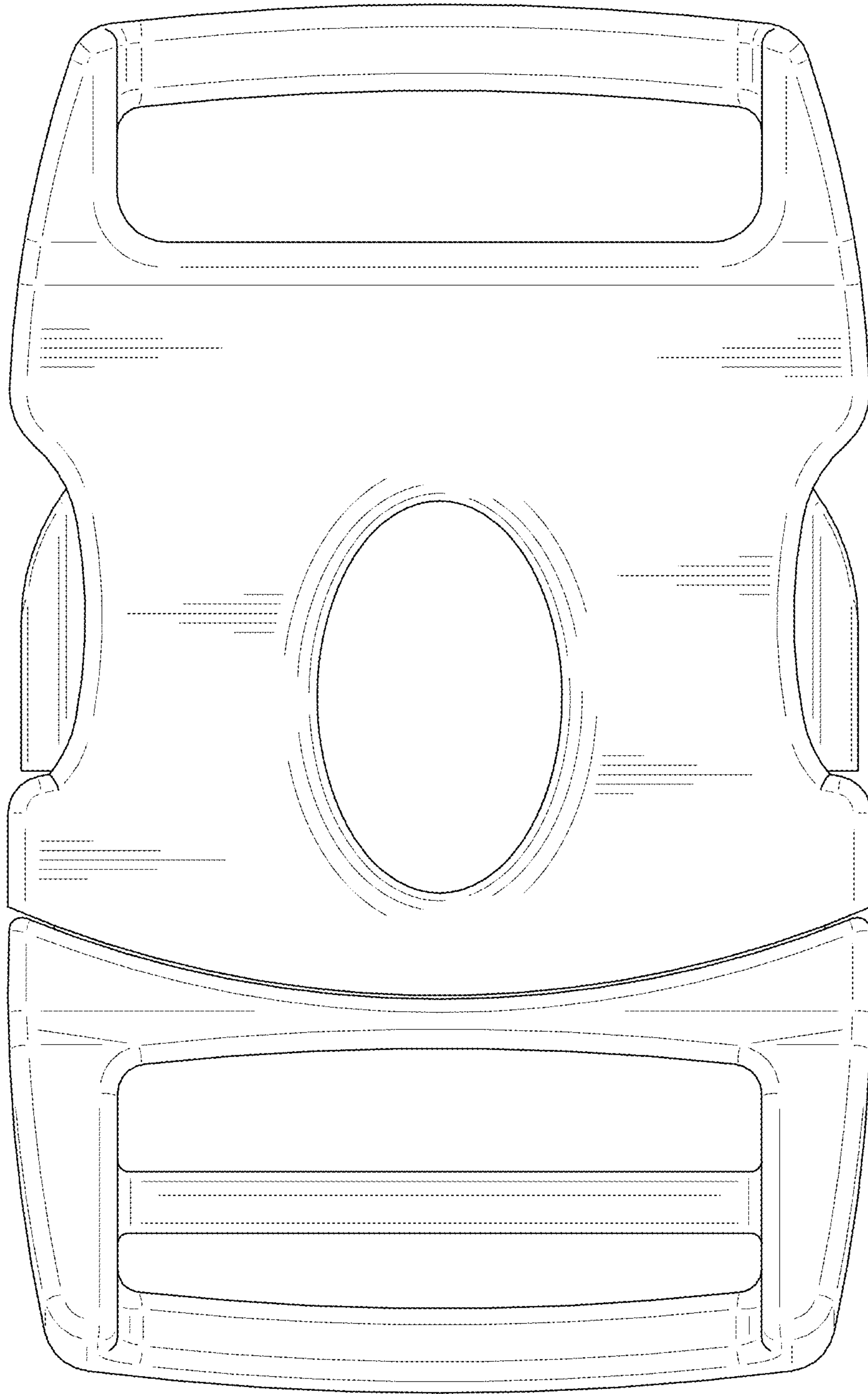


FIG. 4

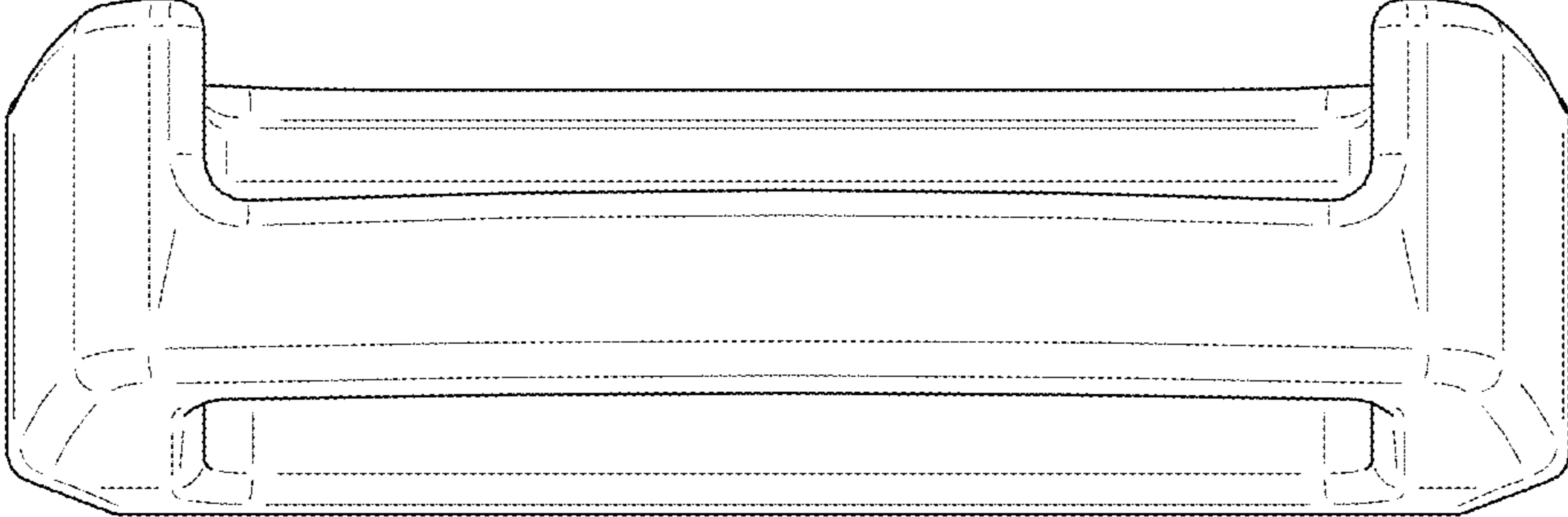


FIG. 6

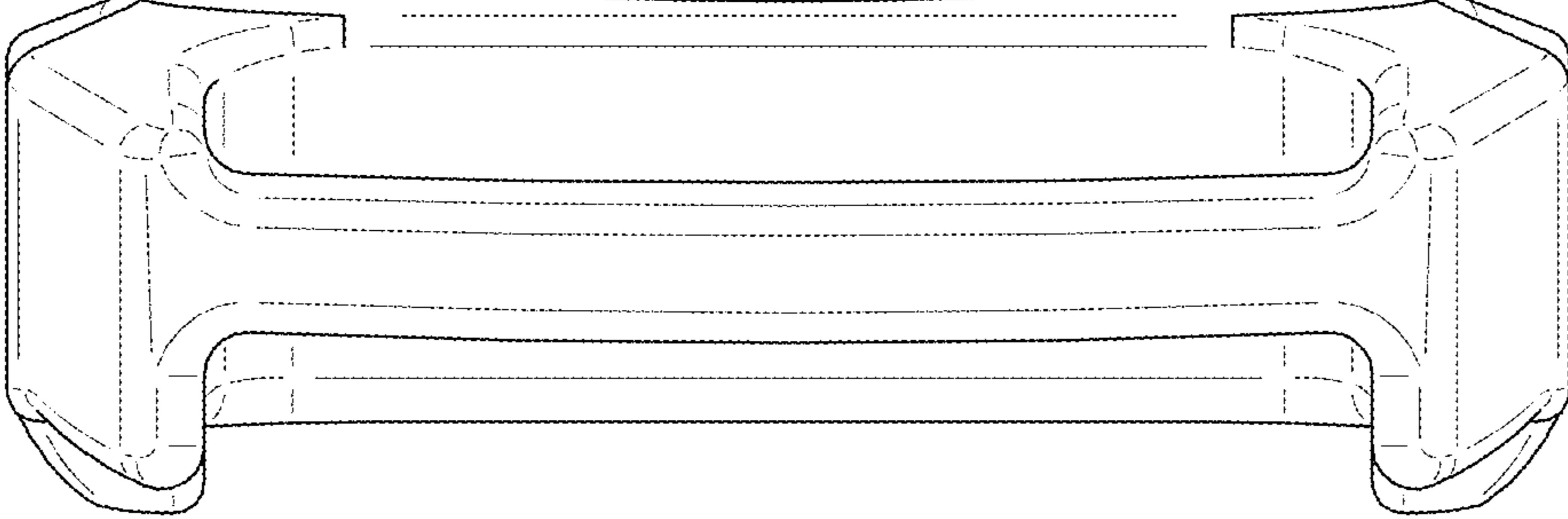


FIG. 5

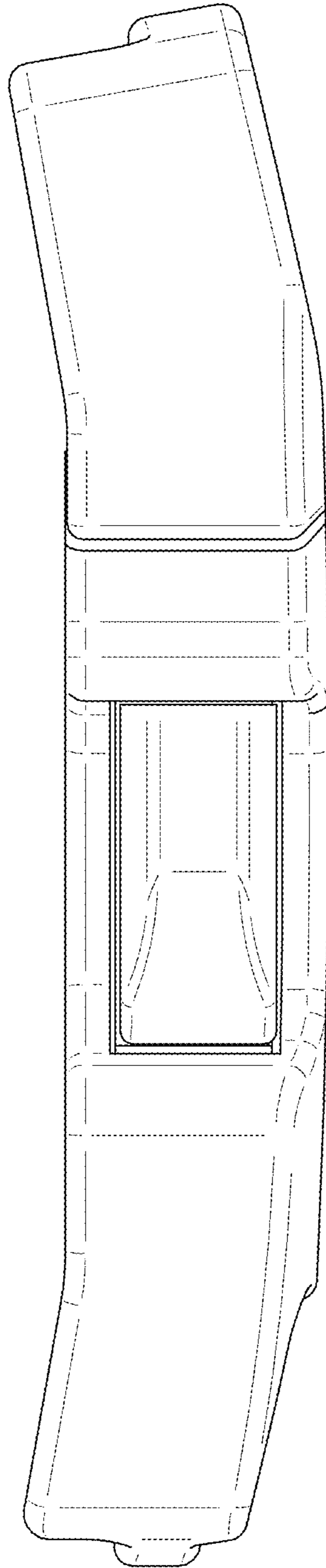


FIG. 7

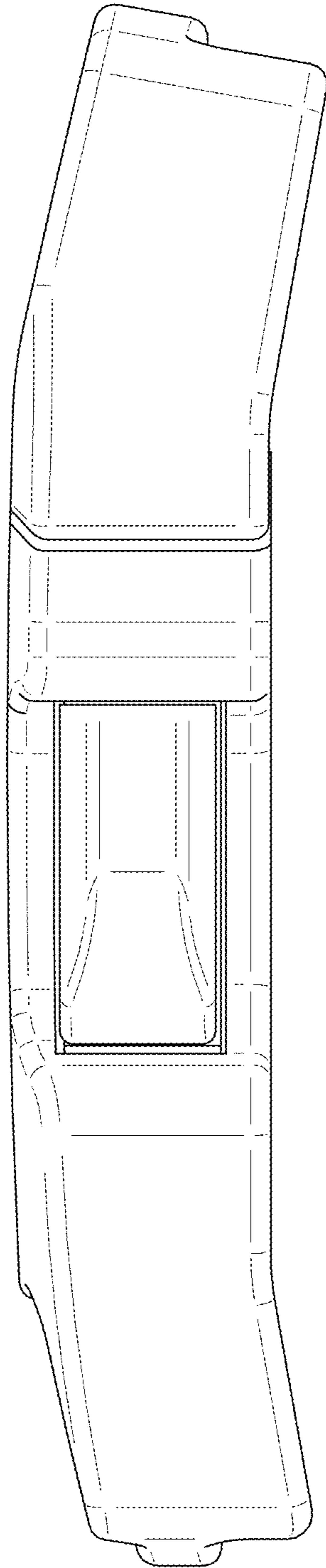


FIG. 8

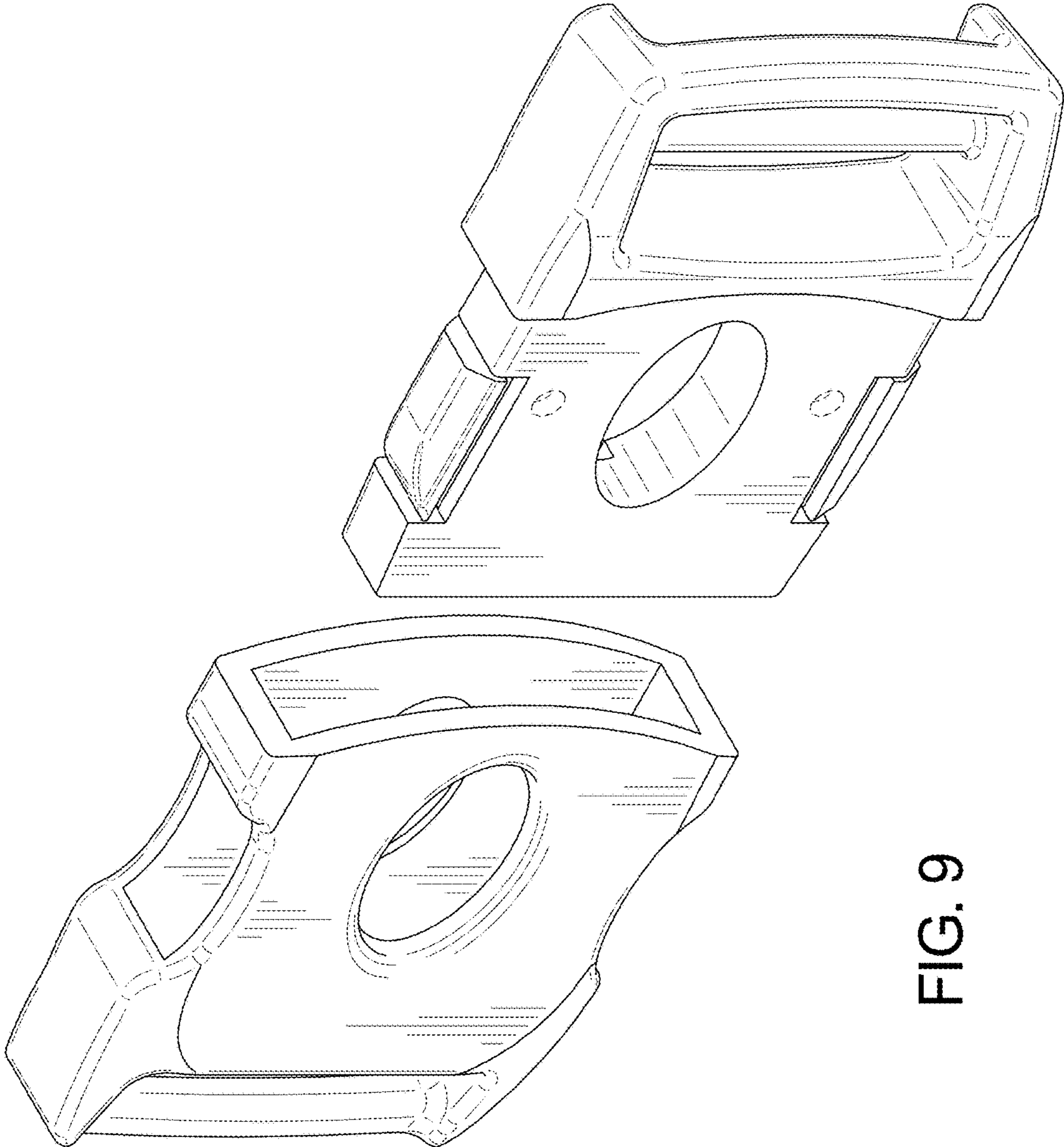


FIG. 9

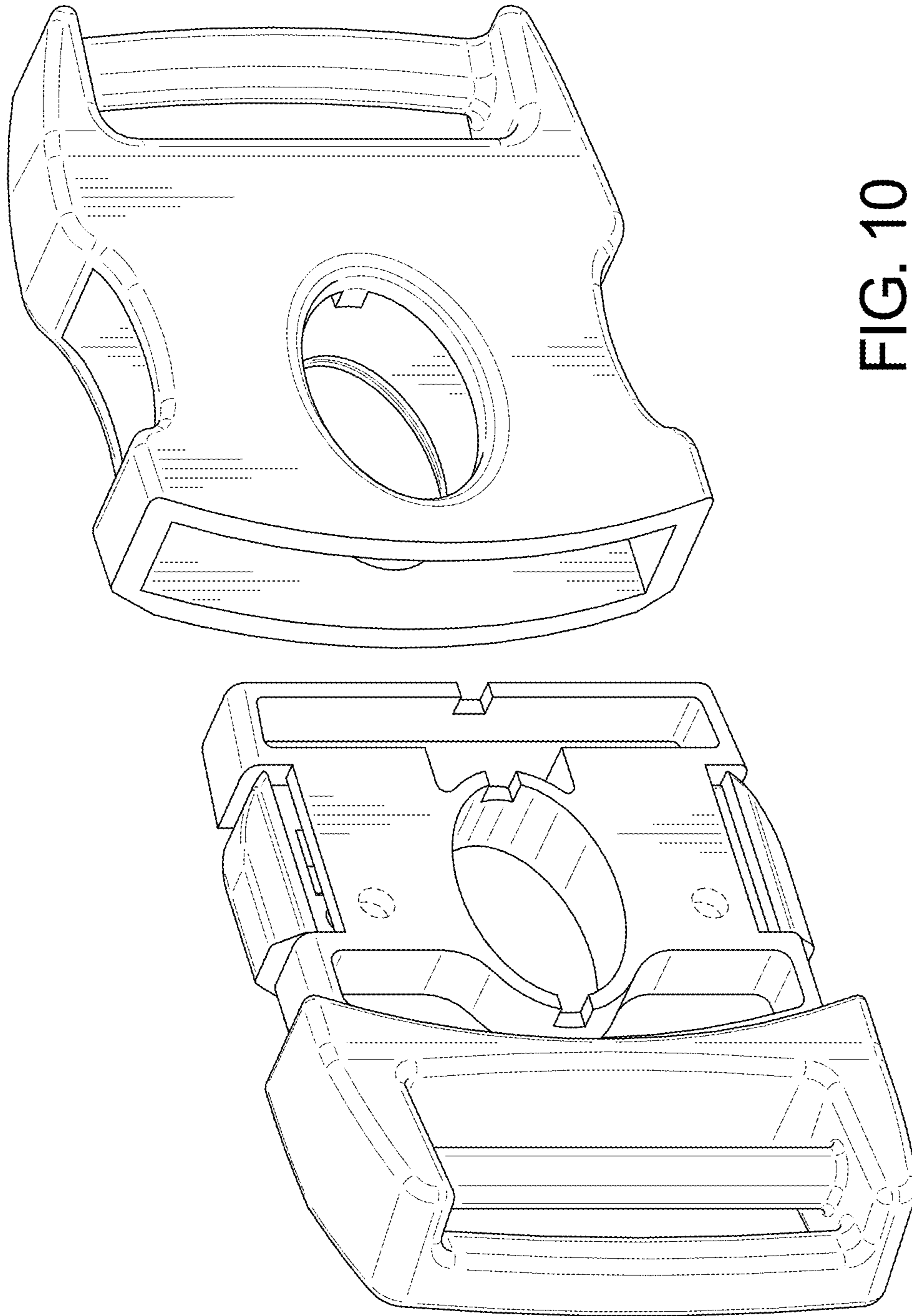


FIG. 10

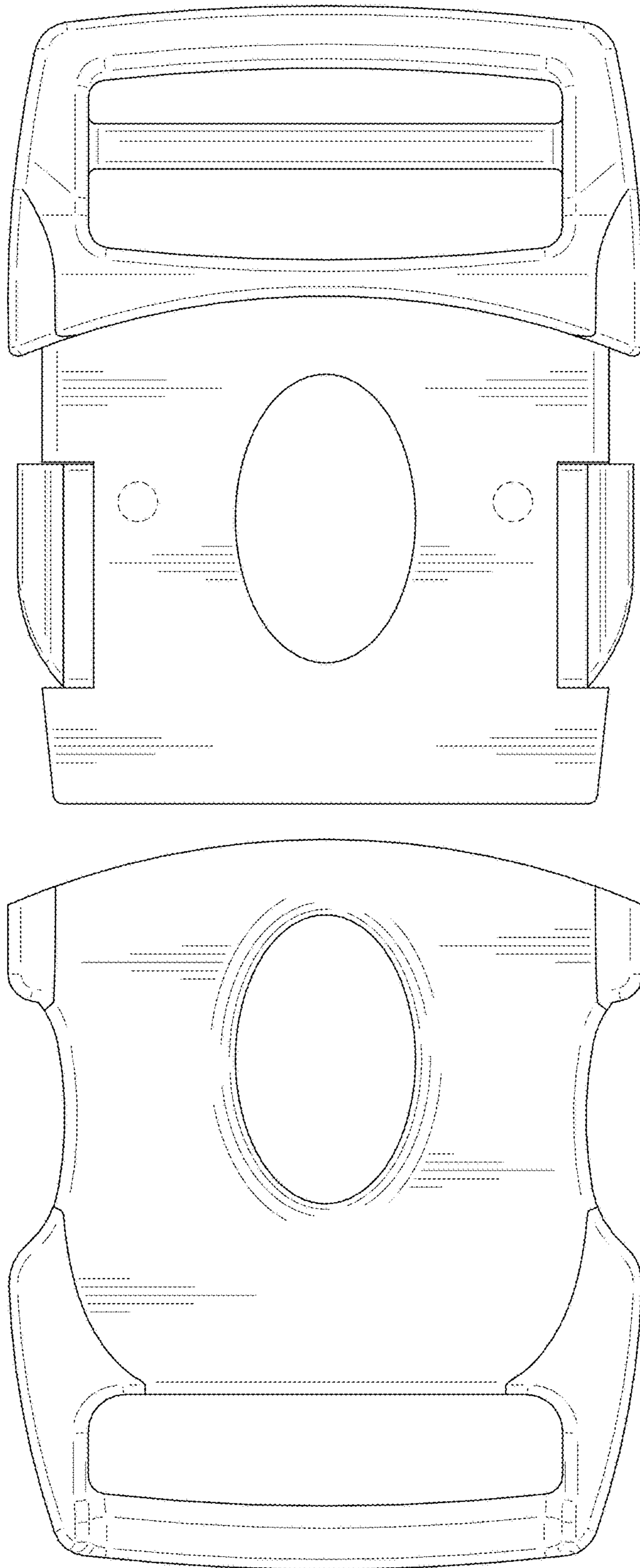


FIG. 11

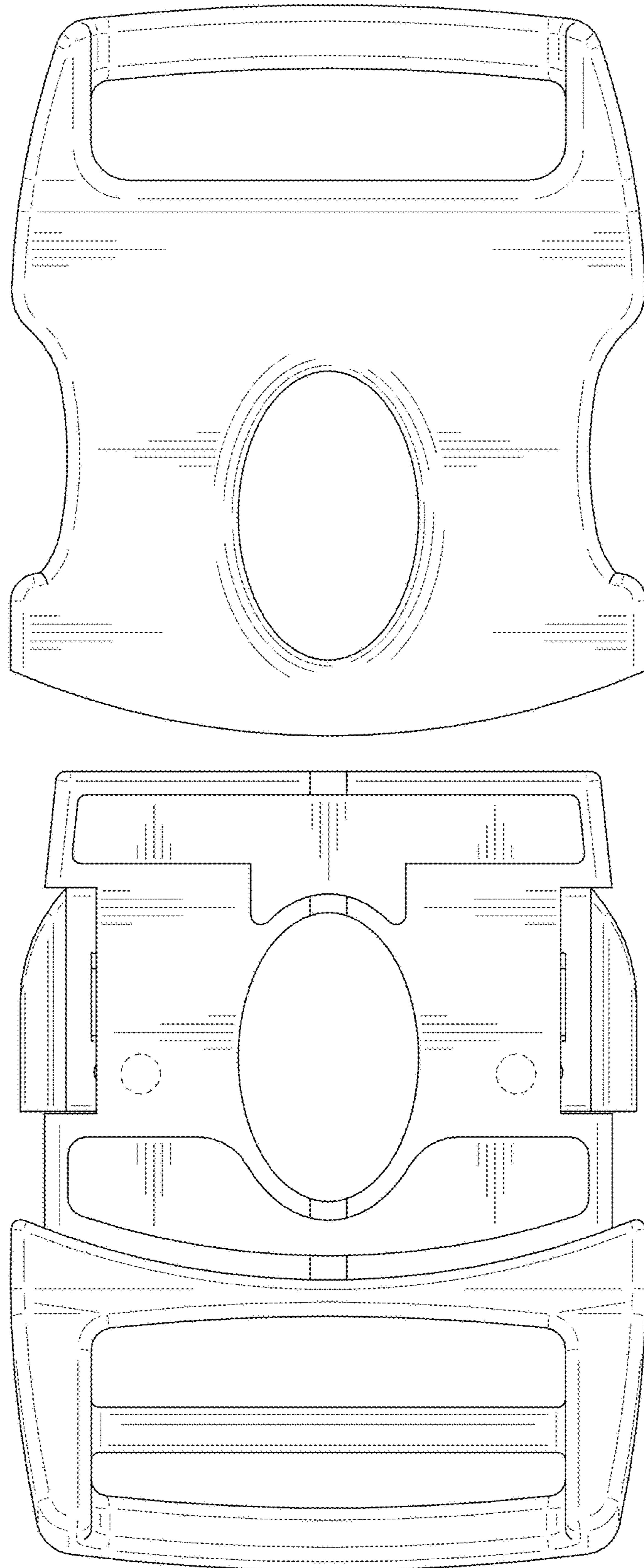


FIG. 12

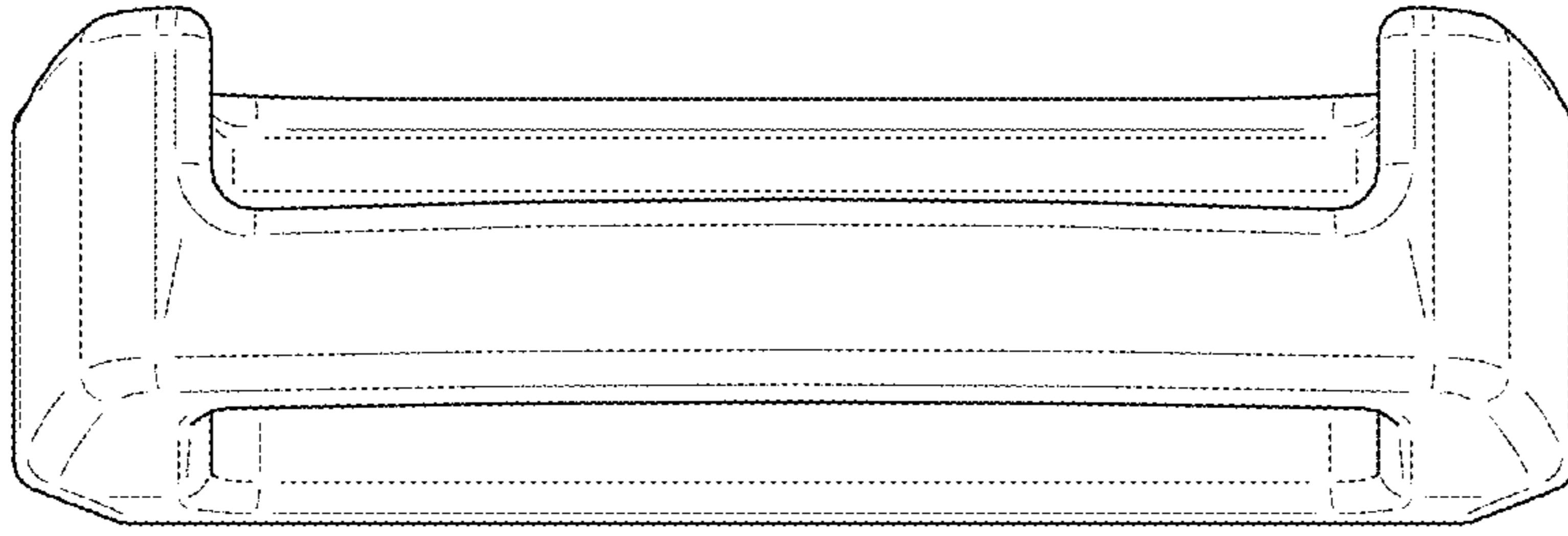


FIG. 14

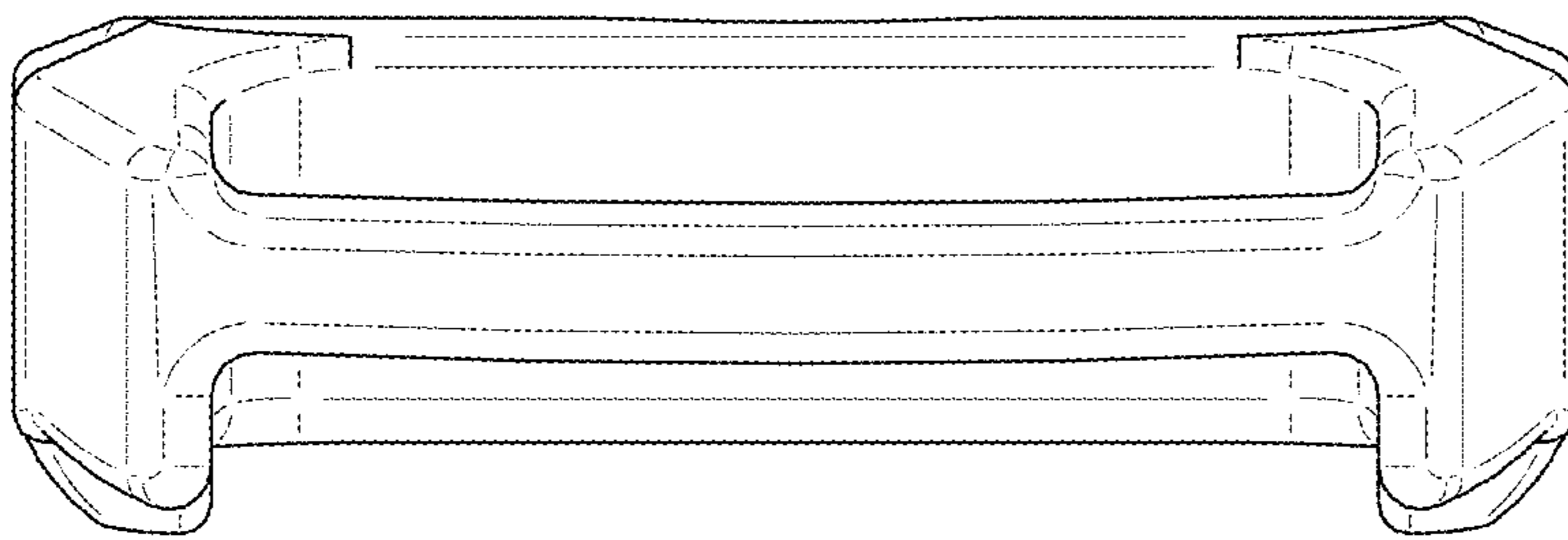


FIG. 13

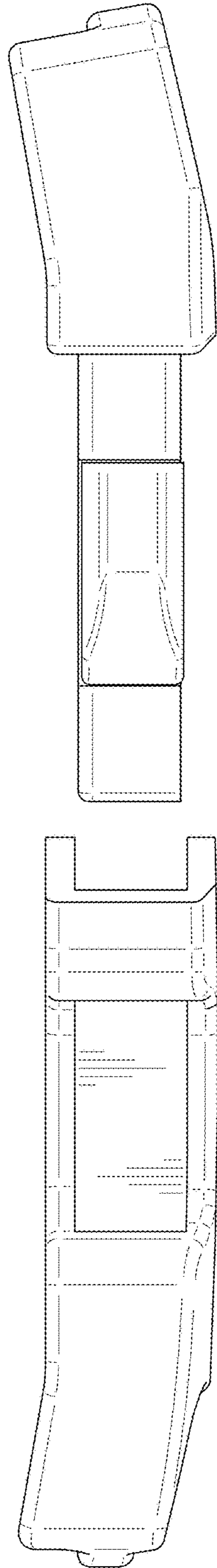


FIG. 15

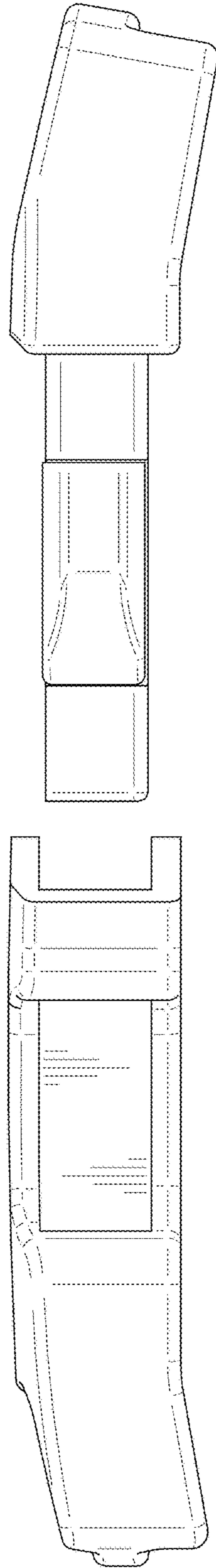


FIG. 16