



US00D814966S

(12) **United States Design Patent**  
**Collinsworth**

(10) **Patent No.:** **US D814,966 S**  
(45) **Date of Patent:** **\*\* Apr. 10, 2018**

- (54) **DECORATIVE PLAQUE**
- (71) Applicant: **Stephen R Collinsworth**, Vicksburg, MS (US)
- (72) Inventor: **Stephen R Collinsworth**, Vicksburg, MS (US)
- (73) Assignee: **The United States of America as Represented by The Secretary of The Army**, Washington, DC (US)
- (\*\*) Term: **15 Years**
- (21) Appl. No.: **29/579,240**
- (22) Filed: **Sep. 28, 2016**
- (51) **LOC (11) Cl.** ..... **11-02**
- (52) **U.S. Cl.**  
USPC ..... **D11/132**
- (58) **Field of Classification Search**  
USPC ..... D11/200, 202, 204, 206, 207, 210, 222, D11/223, 238, 1, 40, 43, 44, 45, 47, 48, D11/78.1, 79, 86, 89, 95-99, 108, 109, D11/131, 132, 157, 164, 165, 168, 172, D11/175, 178, 179, 184; D20/10, 11, 13, D20/22, 23, 29, 36, 99; D99/27; 63/30, 63/33, 34  
CPC ..... A44C 1/00; A45C 1/04; A45C 13/06  
See application file for complete search history.

(56) **References Cited**

**U.S. PATENT DOCUMENTS**

- D54,790 S \* 3/1920 Traynor ..... D11/108
- D62,504 S \* 6/1923 Roulet ..... D11/108
- D66,254 S \* 12/1924 Adams ..... D11/96
- D67,995 S \* 8/1925 Bodnar ..... D11/108
- 2,087,331 A \* 7/1937 Placco ..... A44C 1/00  
63/1.16
- D130,394 S \* 11/1941 Ostrowski ..... D11/107
- D131,831 S \* 3/1942 Fellman ..... D11/108

- D132,179 S \* 4/1942 Hordes ..... D11/168
- D132,845 S \* 6/1942 Hansen ..... D11/53
- D133,129 S \* 7/1942 Holtz ..... D11/99
- D133,181 S \* 7/1942 Johnston et al. .... D10/6
- D133,922 S \* 9/1942 Landsberg ..... D11/107
- D135,115 S \* 2/1943 Booharin ..... D11/172
- D135,371 S \* 3/1943 Hendrix ..... D11/81
- D135,436 S \* 4/1943 Kellett et al. .... D11/8
- D135,653 S \* 5/1943 Hirson ..... D11/100
- D136,314 S \* 9/1943 Reinhold et al. .... D11/125

(Continued)

**OTHER PUBLICATIONS**

Art Deco Diamond Clip Brooch, available 1925, [online], [site visited Nov. 9, 2017]. Available from internet, <URL: <http://www.bonhams.com/auctions/14951/lot/228/> (Year: 1925).\*

(Continued)

*Primary Examiner* — Cathron C Brooks  
*Assistant Examiner* — W. A. Teddy Falloway  
(74) *Attorney, Agent, or Firm* — Brian C. Jones

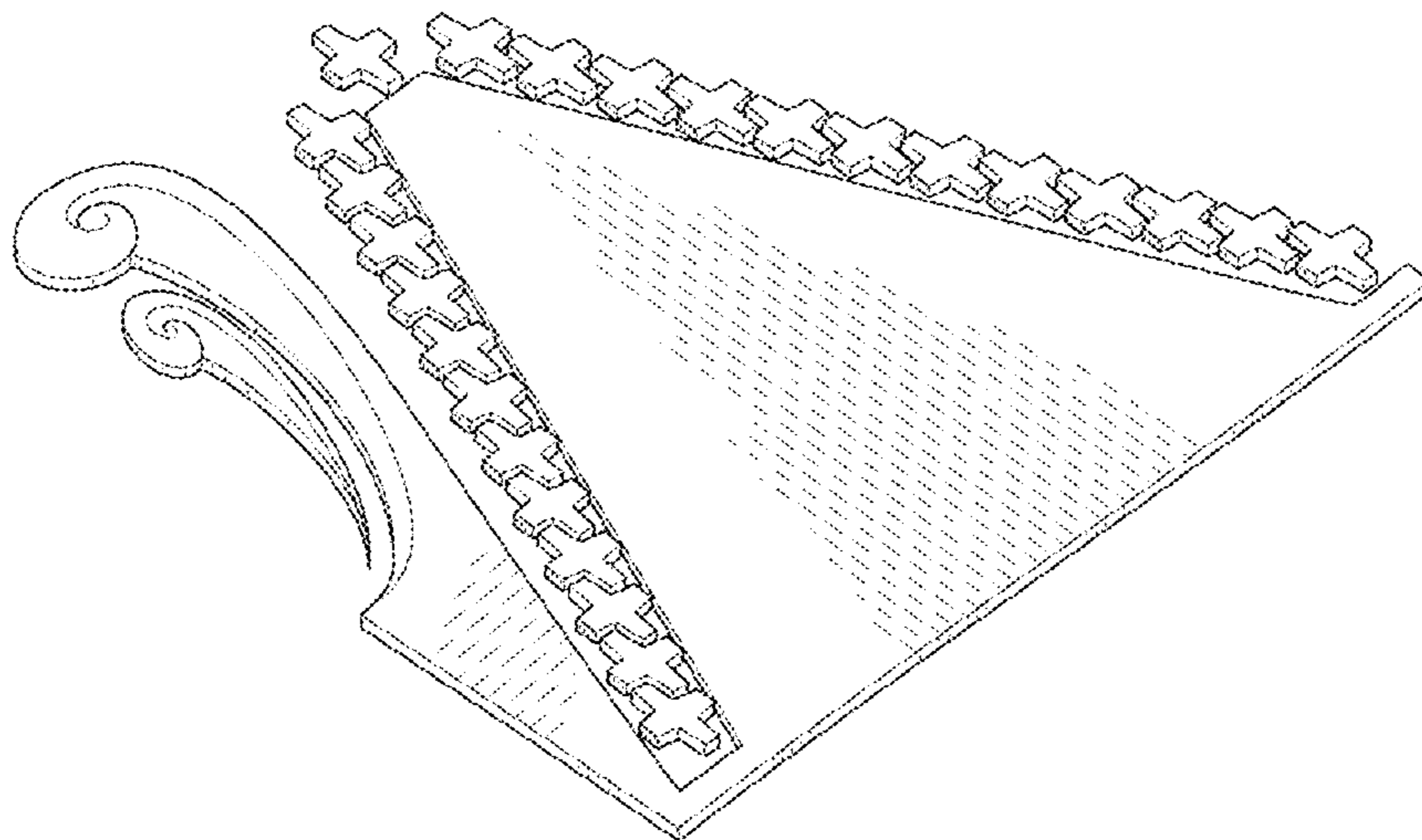
(57) **CLAIM**

The ornamental design for a decorative plaque, as shown and described.

**DESCRIPTION**

FIG. 1 is an isometric view of a decorative plaque showing my new design, and shown with environment;  
FIG. 2 is a top view thereof;  
FIG. 3 is a bottom view thereof;  
FIG. 4 is a front view thereof;  
FIG. 5 is a back view thereof;  
FIG. 6 is a right side view thereof;  
FIG. 7 is a left side view thereof; and,  
FIG. 8 is an enlarged view thereof, shown without environment.  
The broken lines shown in FIGS. 1-7 illustrate environmental structure and form no part of the claimed design.

**1 Claim, 8 Drawing Sheets**



(56)

References Cited

U.S. PATENT DOCUMENTS

D136,470 S \* 10/1943 Wanatik ..... D11/107  
 D136,857 S \* 12/1943 Reinhold et al. .... D11/108  
 D136,893 S \* 12/1943 Lynch ..... D11/101  
 D137,821 S \* 5/1944 Sampson ..... D11/100  
 D141,645 S \* 6/1945 Staubli ..... D11/109  
 D147,391 S \* 9/1947 Arpels ..... D11/40  
 D166,609 S \* 4/1952 Katz ..... D11/40  
 D169,804 S \* 6/1953 Stefano ..... D11/81  
 D171,306 S \* 1/1954 Philippe ..... D11/40  
 D456,298 S \* 4/2002 Lee ..... D11/71  
 D570,943 S \* 6/2008 Chen ..... D21/759  
 D574,915 S \* 8/2008 Jones ..... D21/759  
 D614,529 S \* 4/2010 Trautmann ..... D11/132  
 D725,542 S \* 3/2015 Nolan ..... D11/87  
 D748,007 S \* 1/2016 Carter ..... D11/48

D769,625 S \* 10/2016 Sassi ..... D3/232  
 D790,388 S \* 6/2017 Sassi ..... D11/86  
 2016/0017556 A1\* 1/2016 Collinsworth ..... E02B 3/129  
 405/16

OTHER PUBLICATIONS

Art Deco Brooch, available 1928, [online], [site visited Nov. 9, 2017]. Available from internet, <URL: <http://www.christies.com/lotfinder/jewelry/an-art-deco-diamond-onyx-and-rock-6109059-details.aspx?from=salesummery&intObjectID=6109059&sid=d6777d31-c05b-471b-928c-6c303721db35> (Year: 1928).\*

Vintage Scarf Clip, available Jul. 30, 2017, [online], [site visited Nov. 9, 2017]. Available from internet, <URL: [https://www.etsy.com/listing/538387459/vintage-scarf-clip-vintage-silver-tone?ga\\_order=most\\_relevant&ga\\_search\\_type=all&ga\\_view\\_type=gallery&ga\\_search\\_query=triangle dress clip&ref](https://www.etsy.com/listing/538387459/vintage-scarf-clip-vintage-silver-tone?ga_order=most_relevant&ga_search_type=all&ga_view_type=gallery&ga_search_query=triangle%20dress%20clip&ref) (Year: 2017).\*

\* cited by examiner

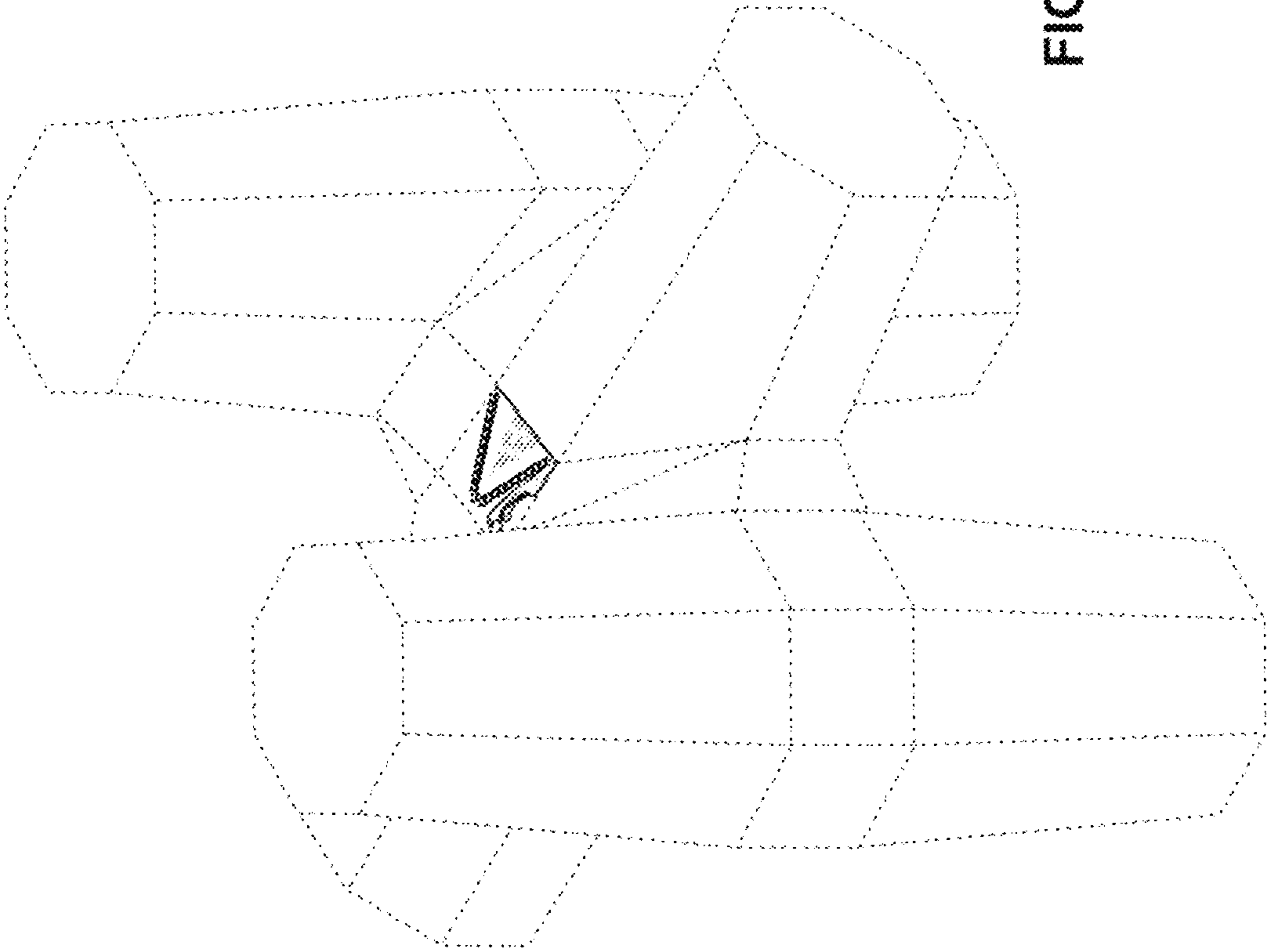


FIG. 1

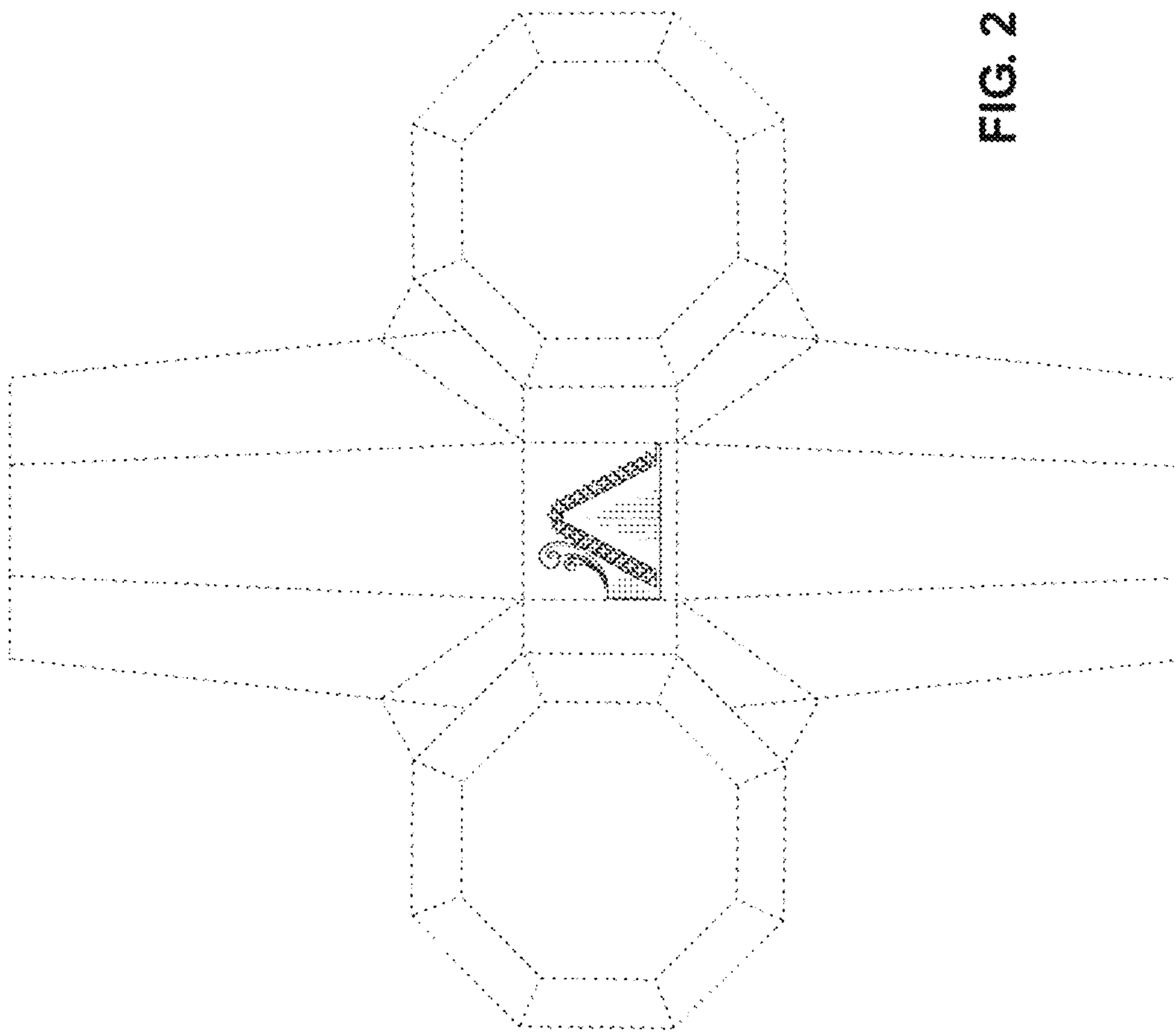


FIG. 2

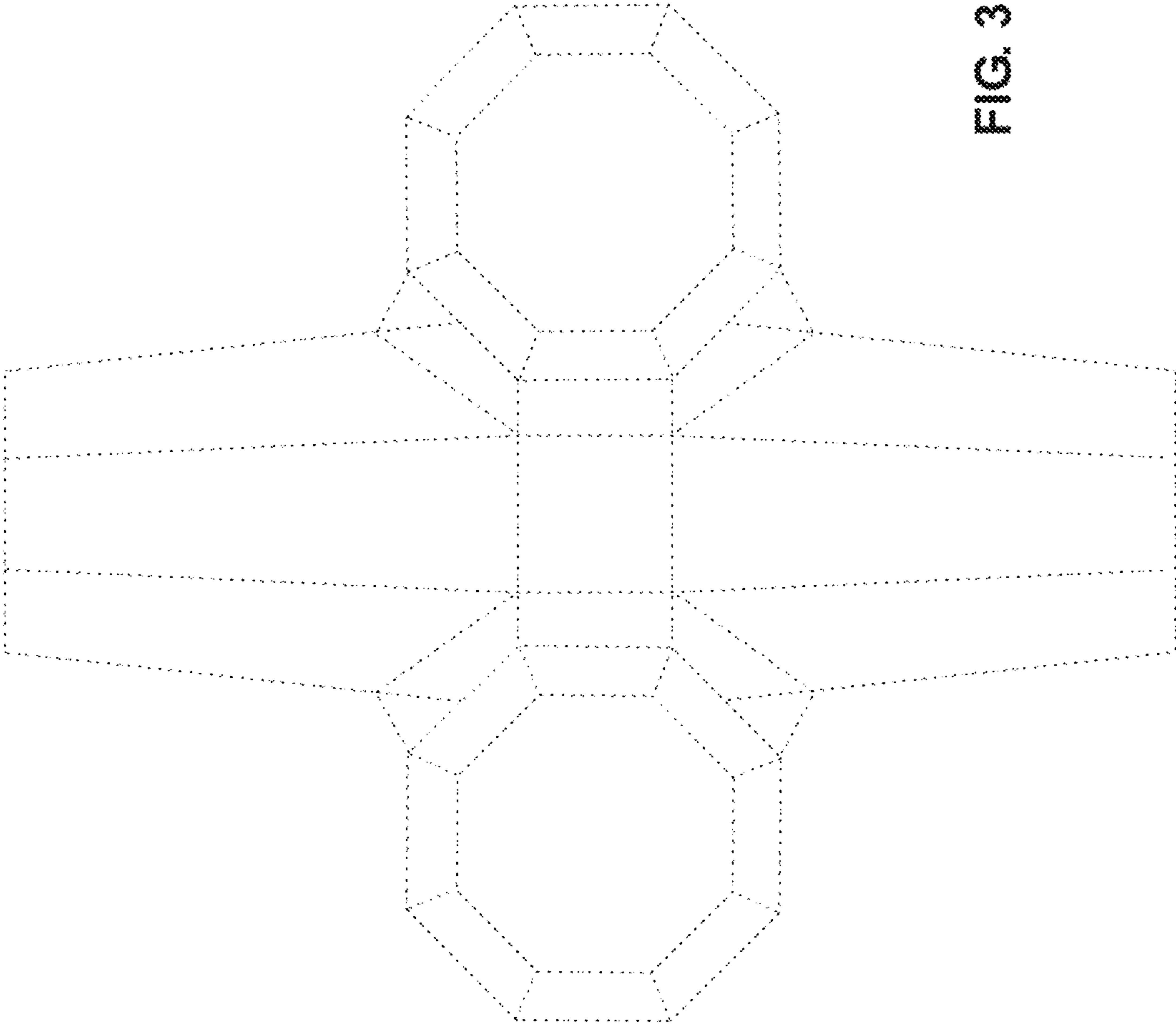


FIG. 3

FIG. 4

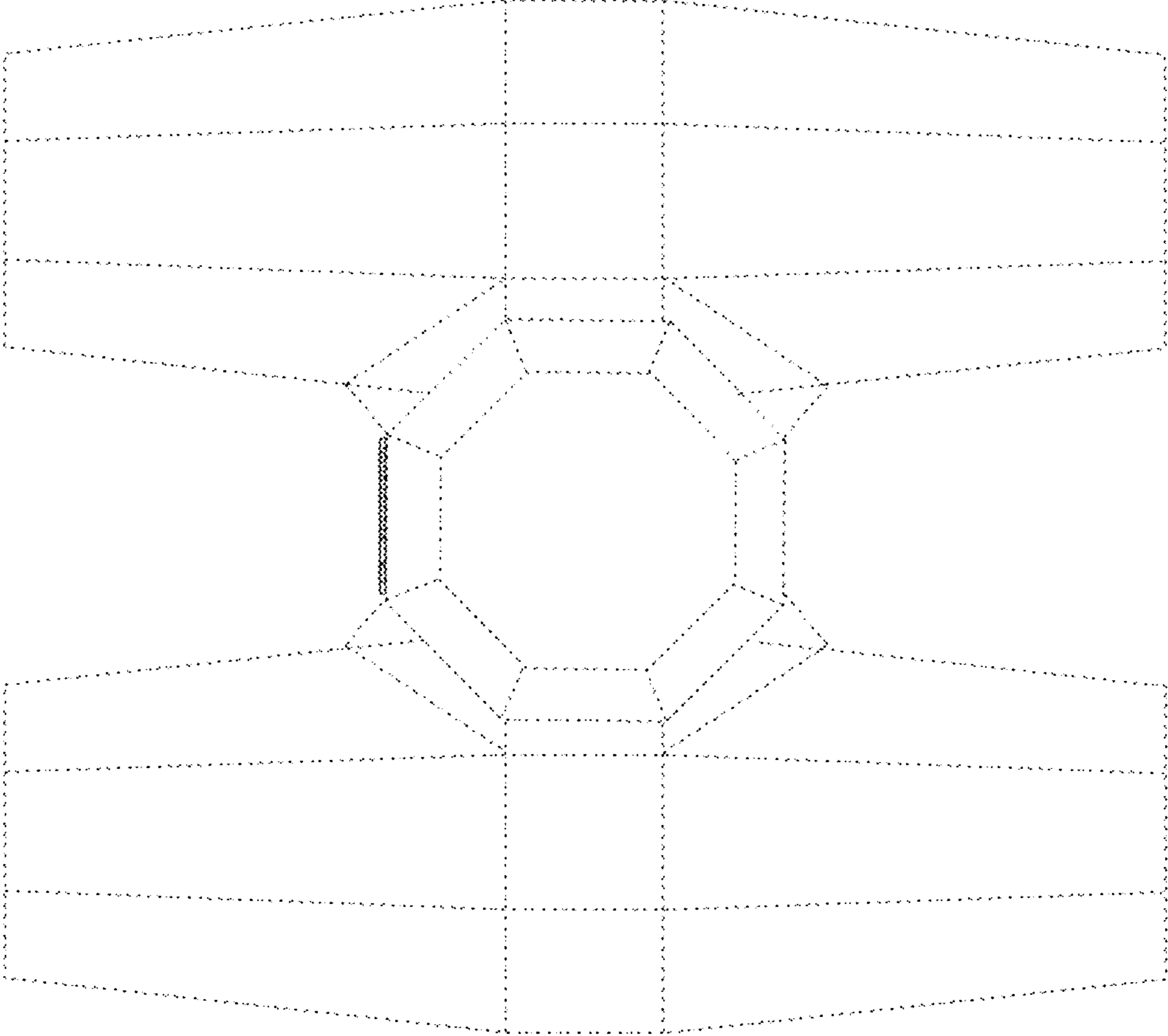
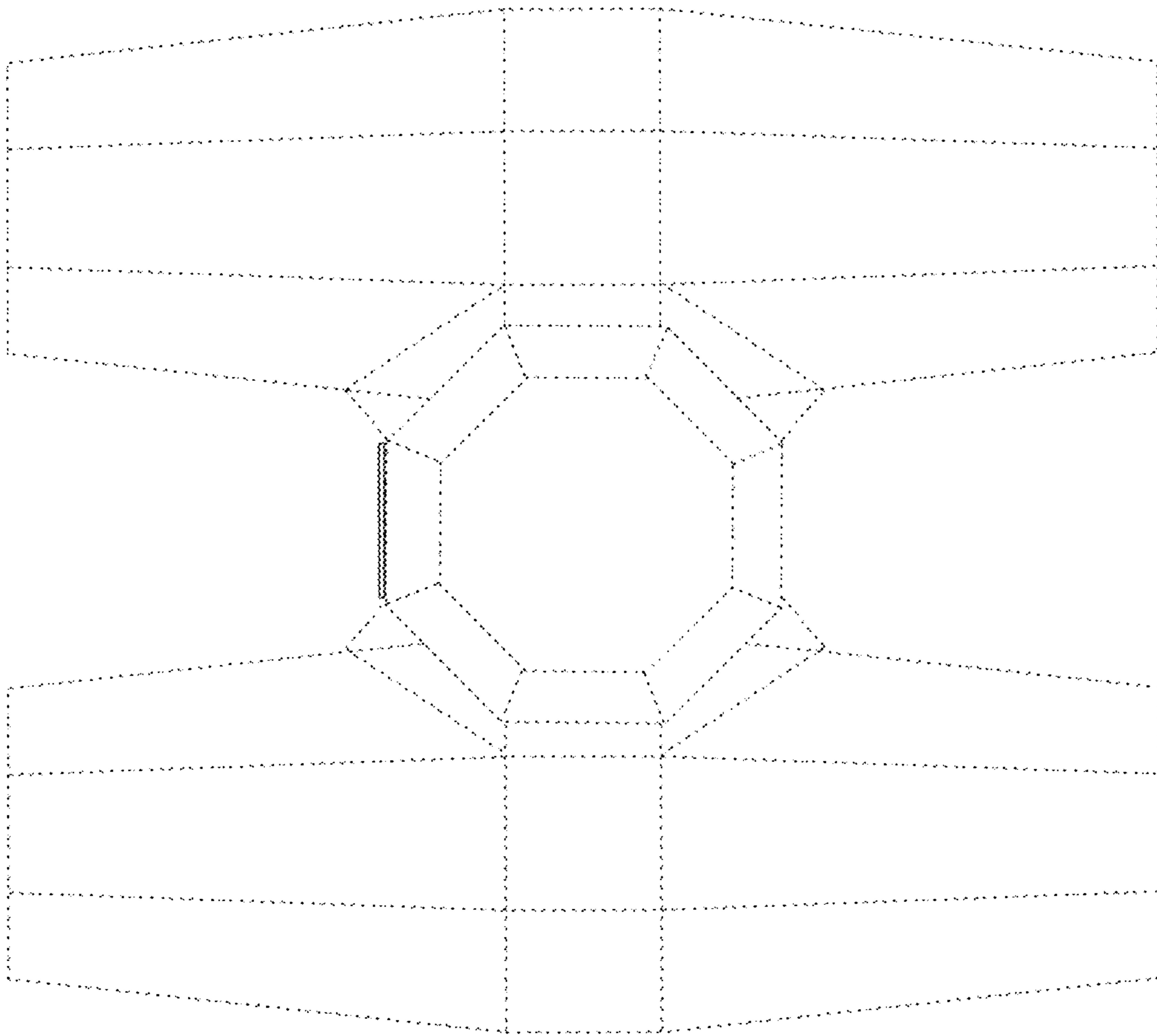




FIG. 5



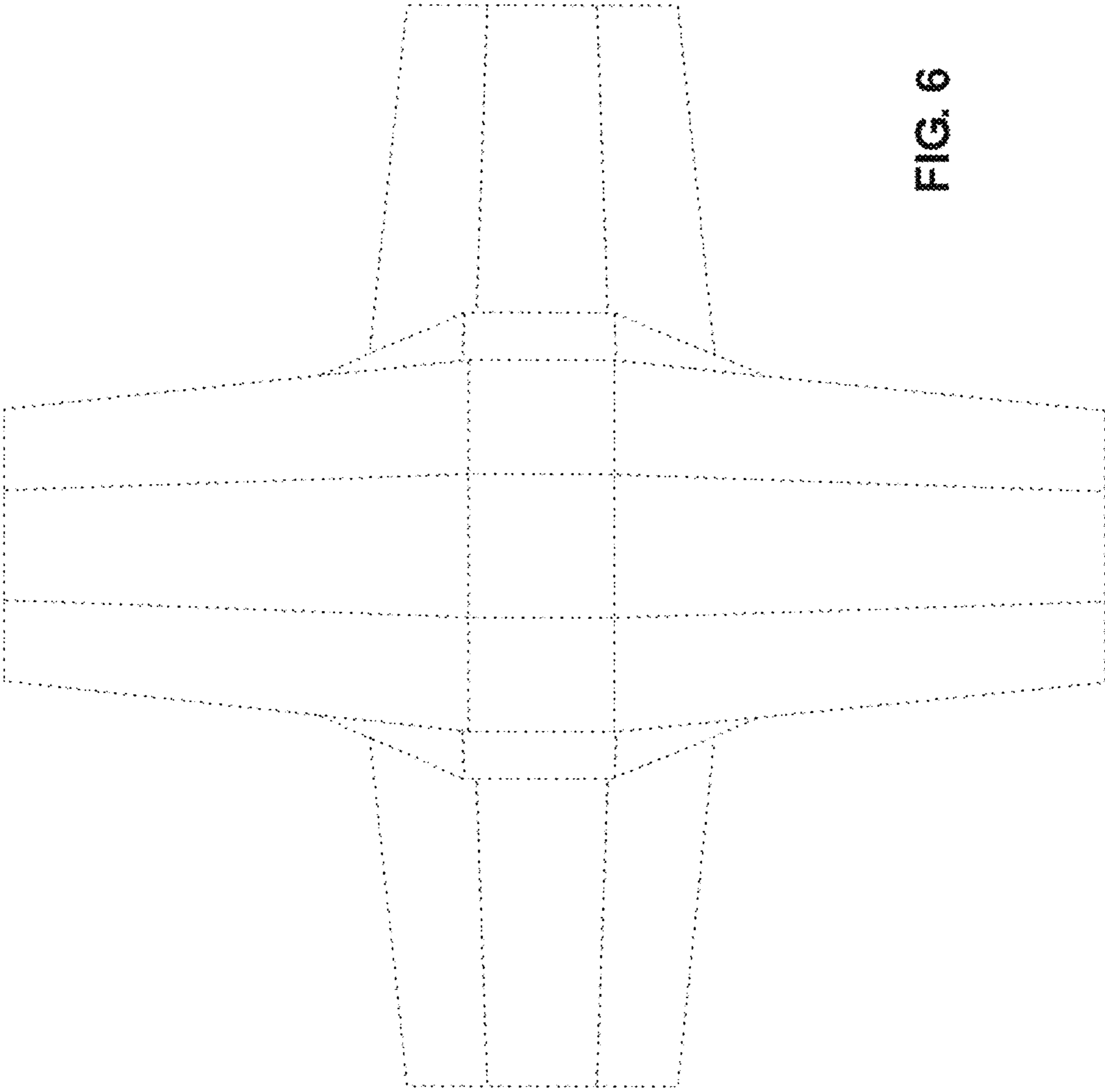


FIG. 6



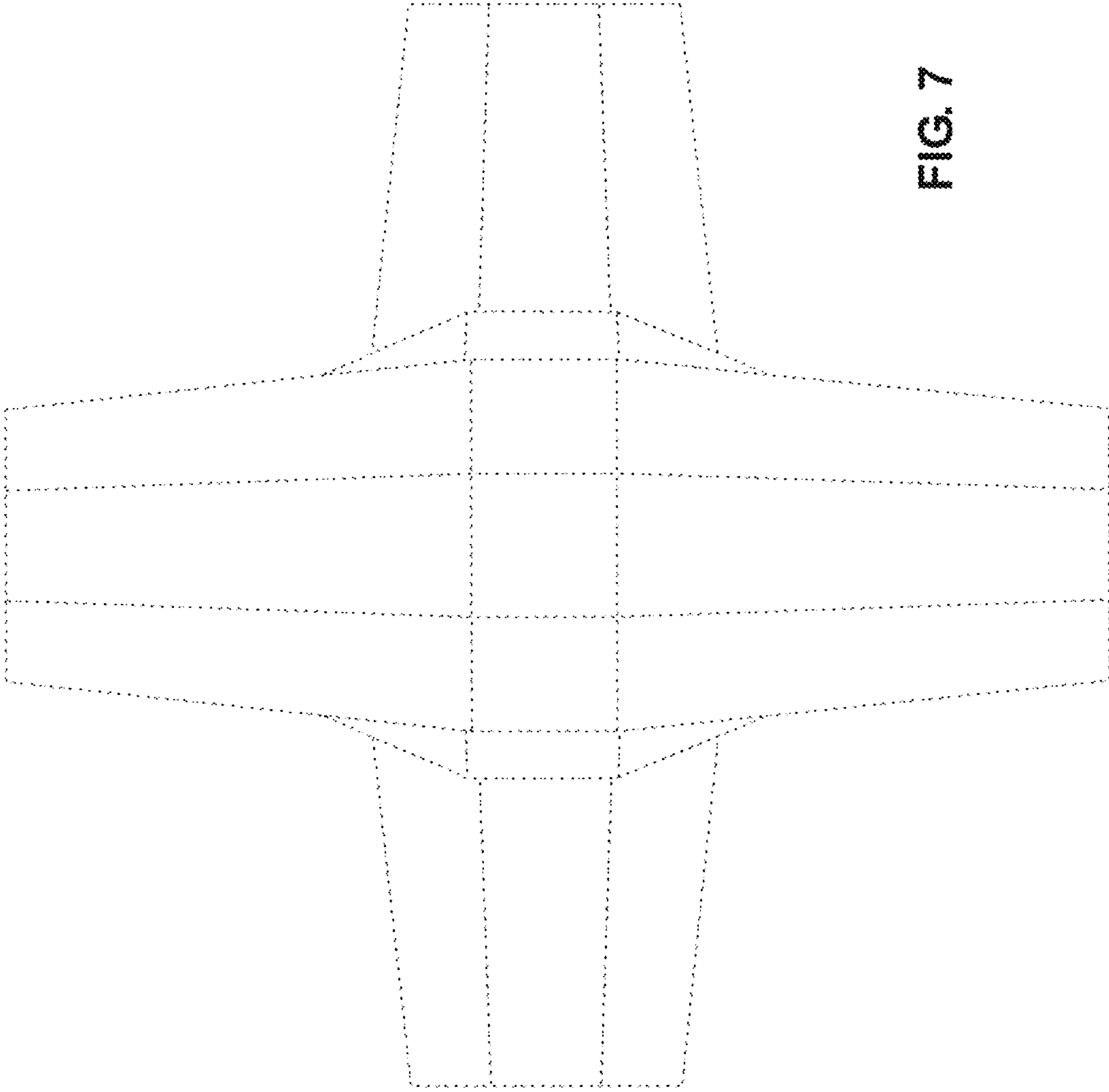


FIG. 7

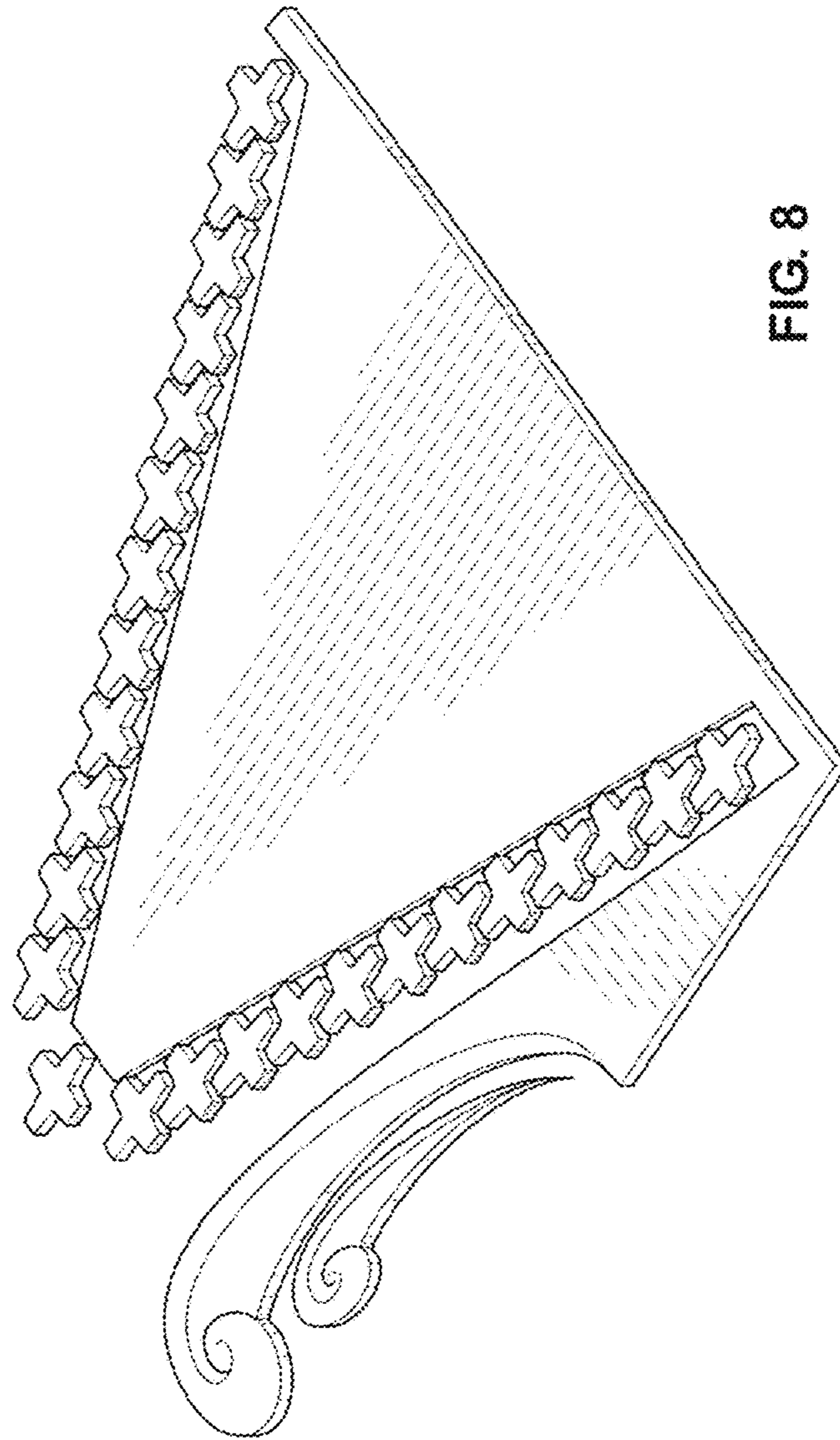


FIG. 8