



US00D814956S

(12) **United States Design Patent** (10) **Patent No.:** **US D814,956 S**
Lee et al. (45) **Date of Patent:** **** Apr. 10, 2018**

(54) **DETECTOR FOR HOME AUTOMATION DEVICES**

(71) Applicant: **LG ELECTRONICS INC.**, Seoul (KR)

(72) Inventors: **Hophil Lee**, Seoul (KR); **Kyoungjoun Kim**, Seoul (KR); **Bonghui Kang**, Seoul (KR)

(73) Assignee: **LG Electronics Inc.**, Seoul (KR)

(**) Term: **15 Years**

(21) Appl. No.: **35/502,277**

(22) Filed: **Jul. 7, 2016**

(80) **Hague Agreement Data**

Int. Filing Date: **Jul. 7, 2016**
Int. Reg. No.: **DM/092278**
Int. Reg. Date: **Jul. 7, 2016**
Int. Reg. Pub. Date: **Jan. 13, 2017**

(30) **Foreign Application Priority Data**

Jan. 7, 2016 (KR) 30-2016-0000690

(51) **LOC (11) Cl.** **10-05**

(52) **U.S. Cl.**
USPC **D10/106.7; D13/162.1**

(58) **Field of Classification Search**
USPC D10/49, 50, 106.7, 106.8; D13/162, D13/162.1, 164, 168
CPC H04R 1/023
See application file for complete search history.

(56) **References Cited**

U.S. PATENT DOCUMENTS

D614,145 S *	4/2010	Arosio	D13/168
D717,742 S *	11/2014	Larkin	D13/162
D717,743 S *	11/2014	Larkin	D13/164
D770,393 S *	11/2016	Jacoby	D13/164
D780,699 S *	3/2017	Zhang	D13/162
D781,246 S *	3/2017	Zhang	D13/162
D784,168 S *	4/2017	Jacoby	D10/50
D797,580 S *	9/2017	Read	D10/49
9,807,481 B2 *	10/2017	O’Keeffe	H04R 1/023
D802,450 S *	11/2017	Boynton	D10/50
D806,658 S *	1/2018	Chui	D13/168

* cited by examiner

Primary Examiner — George D. Kirschbaum

(74) *Attorney, Agent, or Firm* — Birch, Stewart, Kolasch & Birch, LLP

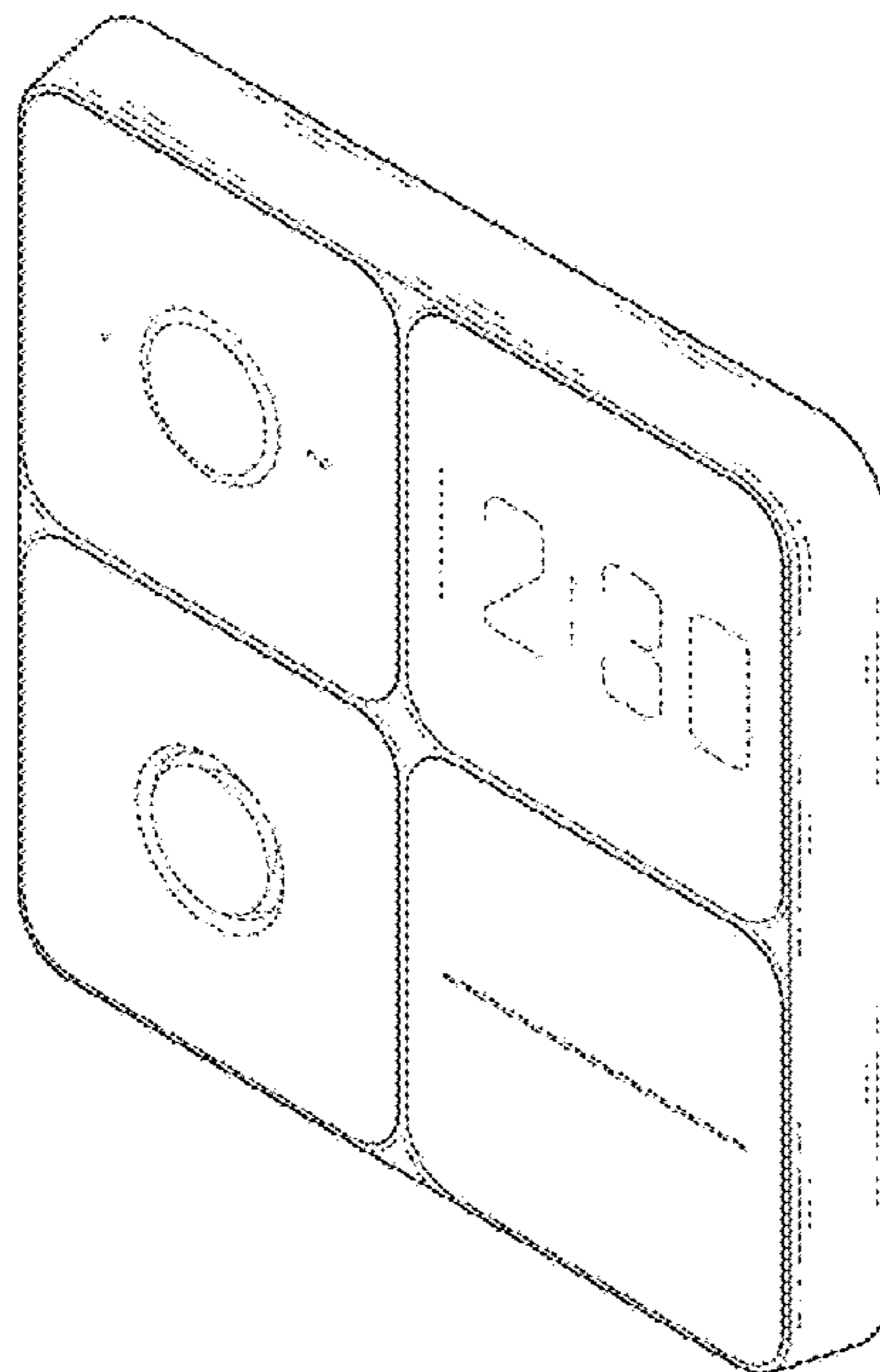
(57) **CLAIM**

The ornamental design for a detector for home automation devices, as shown and described.

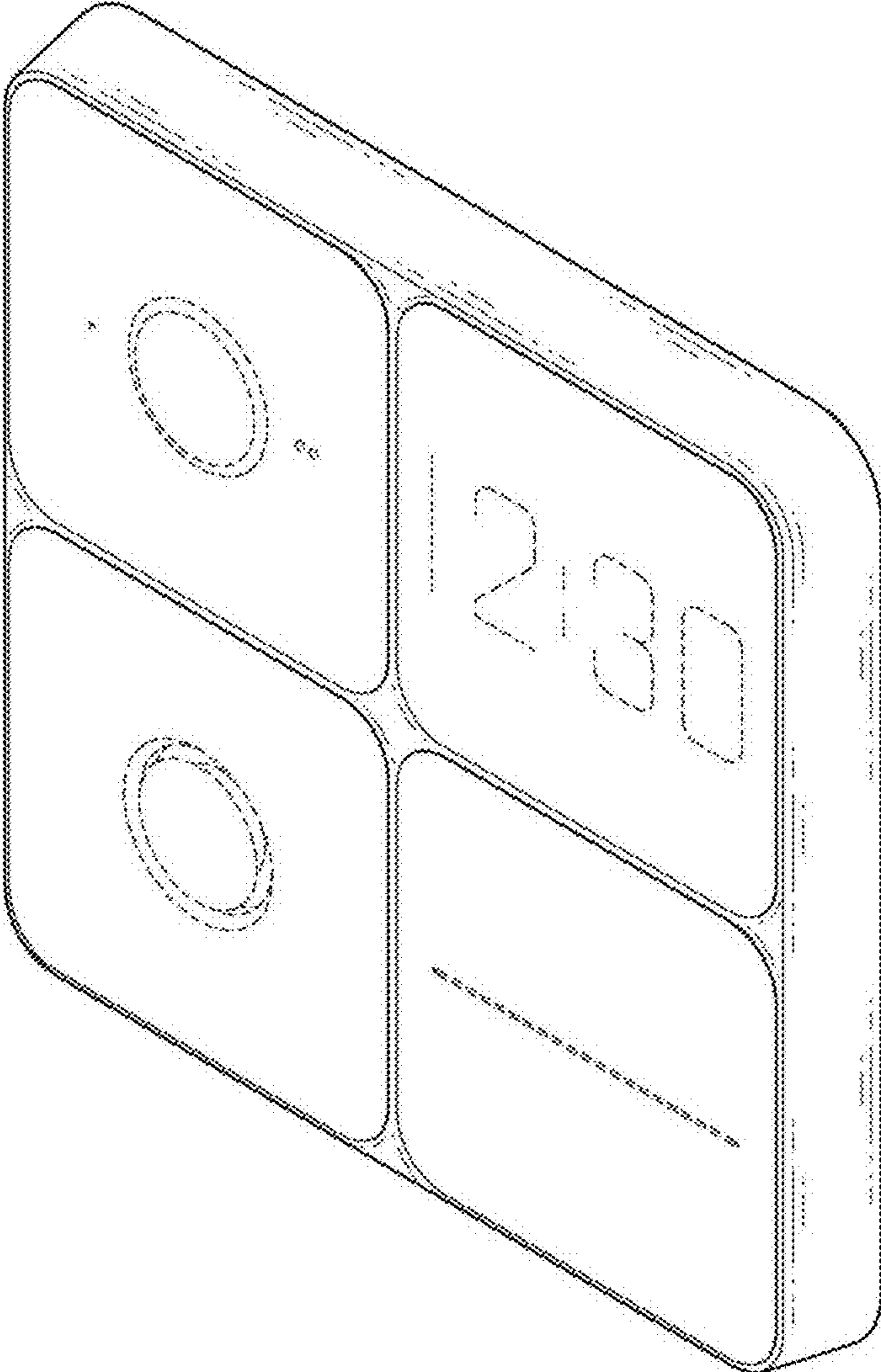
DESCRIPTION

1. Detector for home automation devices
 - 1.1 is a front perspective view.
 - 1.2 is a front view.
 - 1.3 is a rear view.
 - 1.4 is a right side view.
 - 1.5 is a left side view.
 - 1.6 is a top view.
 - 1.7 is a bottom view.
 - 1.8 is an exploded view.
- The broken lines depict unclaimed environmental subject matter.

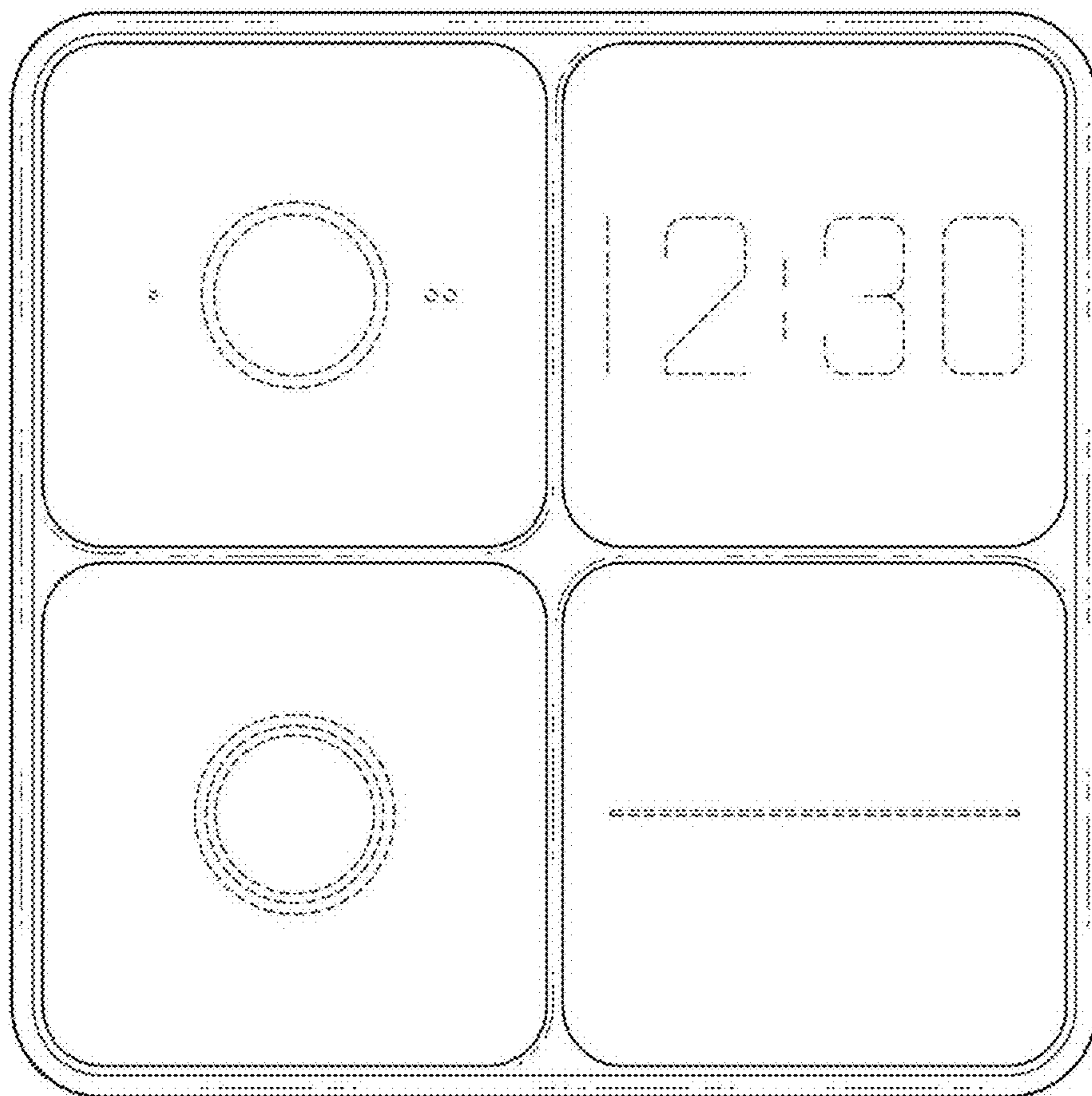
1 Claim, 6 Drawing Sheets



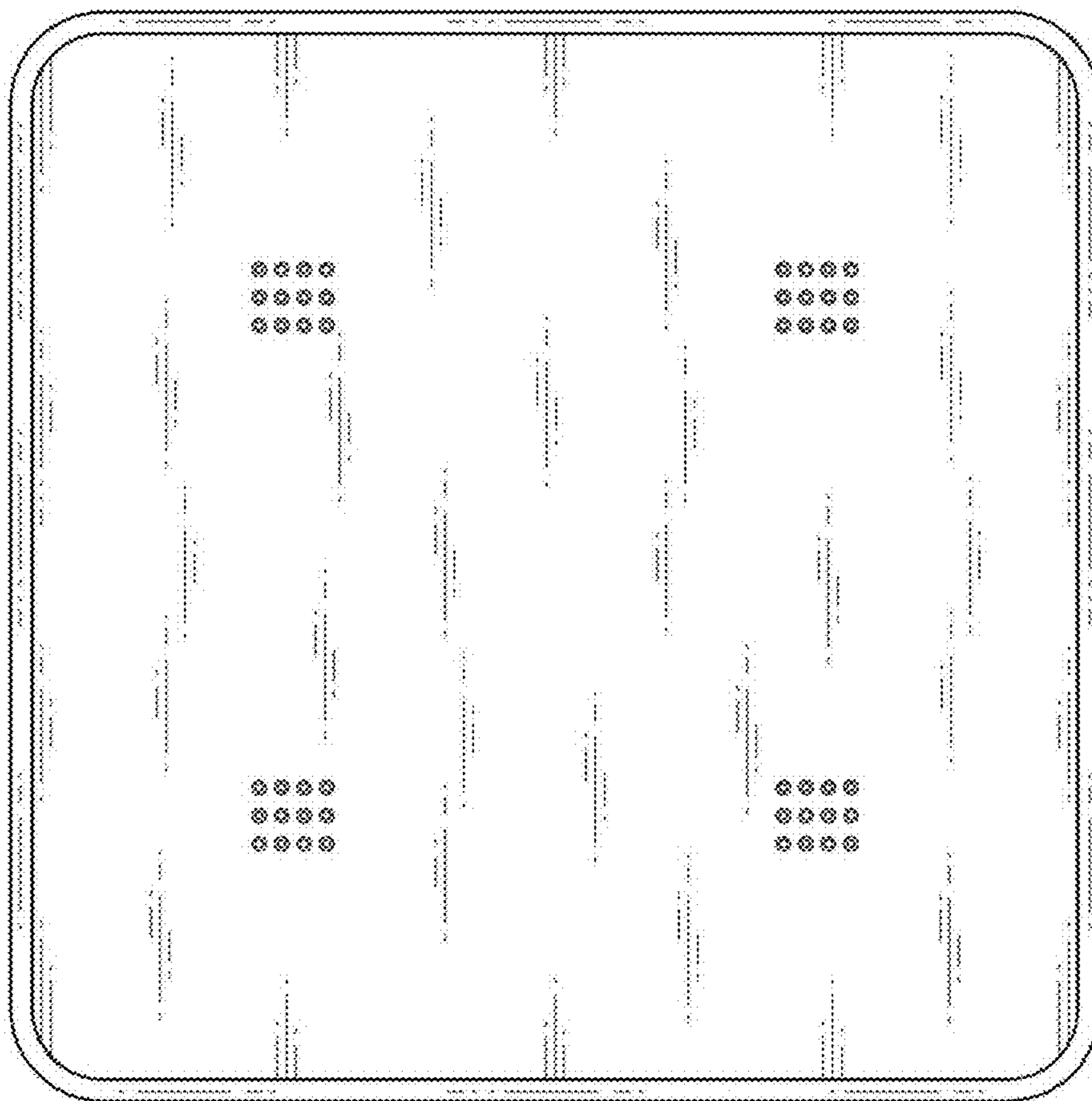
1.1



1.2



1.3



1.4



1.5



1.6



1.7



1.8

