



US00D814955S

(12) **United States Design Patent**
Bolger et al.

(10) **Patent No.:** **US D814,955 S**
(45) **Date of Patent:** **** Apr. 10, 2018**

(54) **FIRE ALARM**
(71) Applicant: **Sprue Safety Products Ltd.**, Coventry (GB)
(72) Inventors: **Chris Bolger**, Coventry (GB); **Peter Brigham**, Coventry (GB)
(73) Assignee: **SPRUE SAFETY PRODUCTS LTD.**, Coventry (GB)
(**) Term: **15 Years**

D346,981 S 5/1994 Ratzlaff
D422,521 S 4/2000 Morrow
D533,799 S 12/2006 Thalhammer
D627,671 S 11/2010 Gonzales
D653,575 S 2/2012 Treharne et al.
D678,097 S 3/2013 Elwell et al.
D703,565 S 4/2014 Chen et al.
D703,566 S 4/2014 Chen et al.
D715,170 S 10/2014 Brigham et al.
D715,171 S 10/2014 Brigham et al.
8,970,387 B2 3/2015 Brigham et al.
9,013,317 B2 4/2015 Brigham et al.
9,057,631 B2 6/2015 Newton

(21) Appl. No.: **29/575,218**
(22) Filed: **Aug. 23, 2016**

FOREIGN PATENT DOCUMENTS

EM 001213664-0001 6/2010
EM 002302489-0001 A1 9/2013
EM 002302489-0002 A1 9/2013

Related U.S. Application Data

(62) Division of application No. 29/544,294, filed on Nov. 2, 2015, now Pat. No. Des. 777,593.

Primary Examiner — Sandra L Morris

(74) *Attorney, Agent, or Firm* — Levenfeld Pearlstein, LLC

(30) **Foreign Application Priority Data**

May 1, 2015 (EM) 002693473-0007

(51) **LOC (11) Cl.** **10-05**

(52) **U.S. Cl.**
USPC **D10/106.5**

(58) **Field of Classification Search**
USPC D10/104.1, 106.1–106.8; D16/203;
340/571, 588, 628–630
CPC G08B 5/36; G08B 17/06; G08B 17/10;
G08B 17/113; G08B 5/38
See application file for complete search history.

(57) **CLAIM**

The ornamental design for a fire alarm, as shown and described.

DESCRIPTION

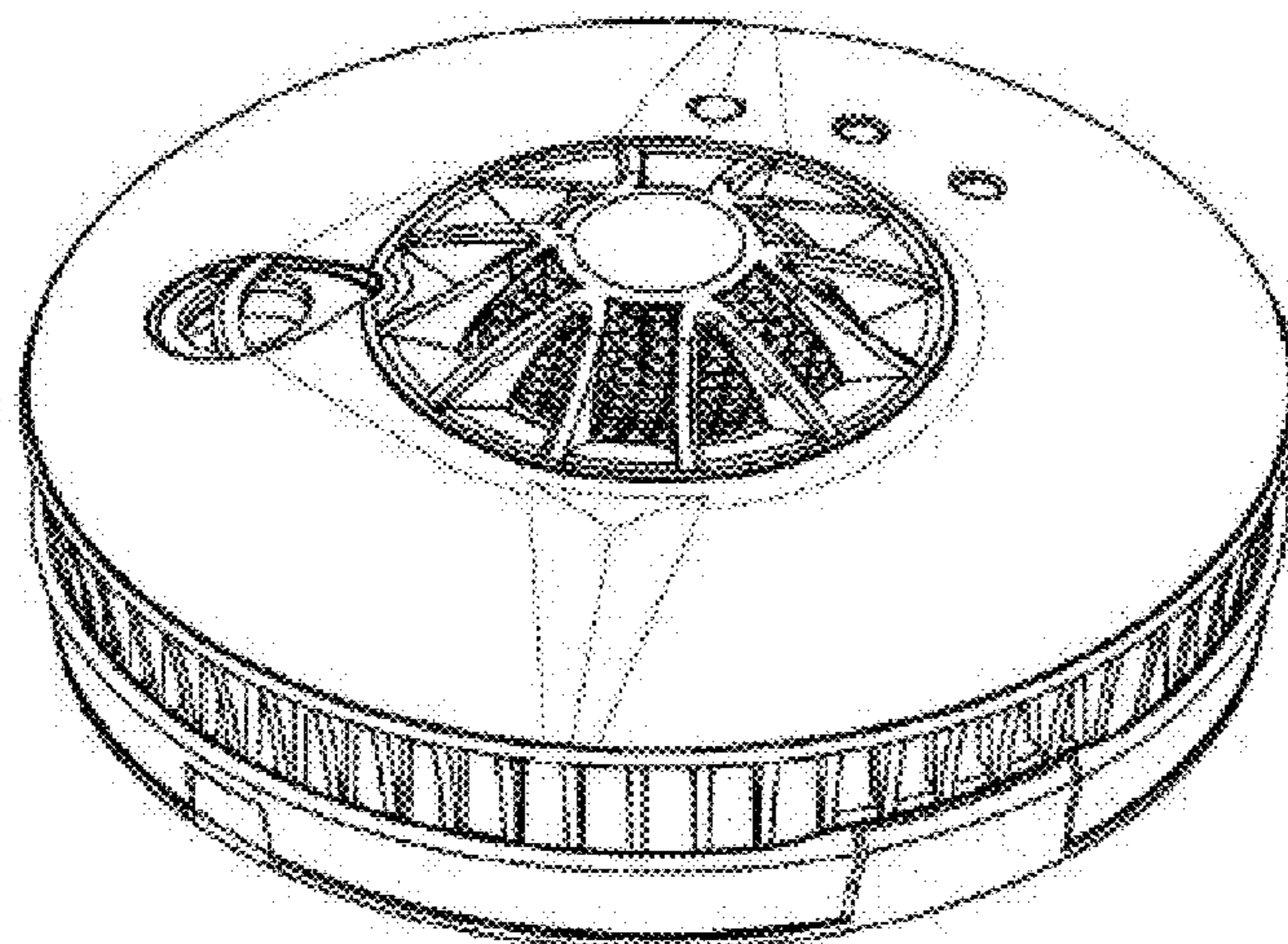
FIG. 1 is a top front perspective view of an alternate embodiment of our new design for fire alarm;
FIG. 2 is a top view thereof;
FIG. 3 is a bottom view thereof, the bottom being unadorned and forming no part of the claimed design;
FIG. 4 is a front view thereof;
FIG. 5 is a rear view thereof;
FIG. 6 is a side view thereof, as seen from the right-hand side of FIG. 4; and,
FIG. 7 is a side view thereof, as seen from the left-hand side of FIG. 4.

(56) **References Cited**

U.S. PATENT DOCUMENTS

4,236,822 A 12/1980 Jaretsky
D308,947 S 7/1990 Downing

1 Claim, 7 Drawing Sheets



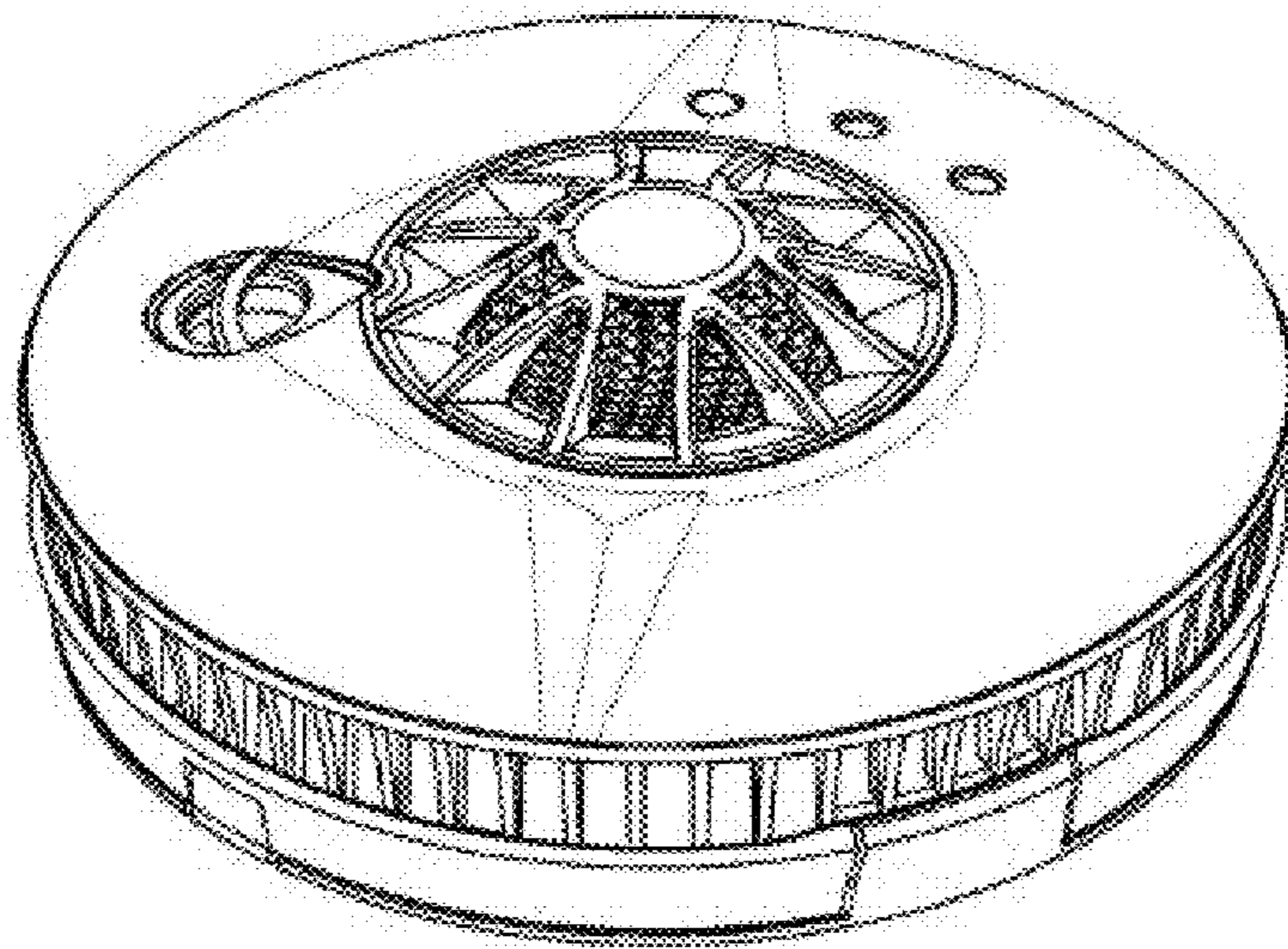


FIG. 1

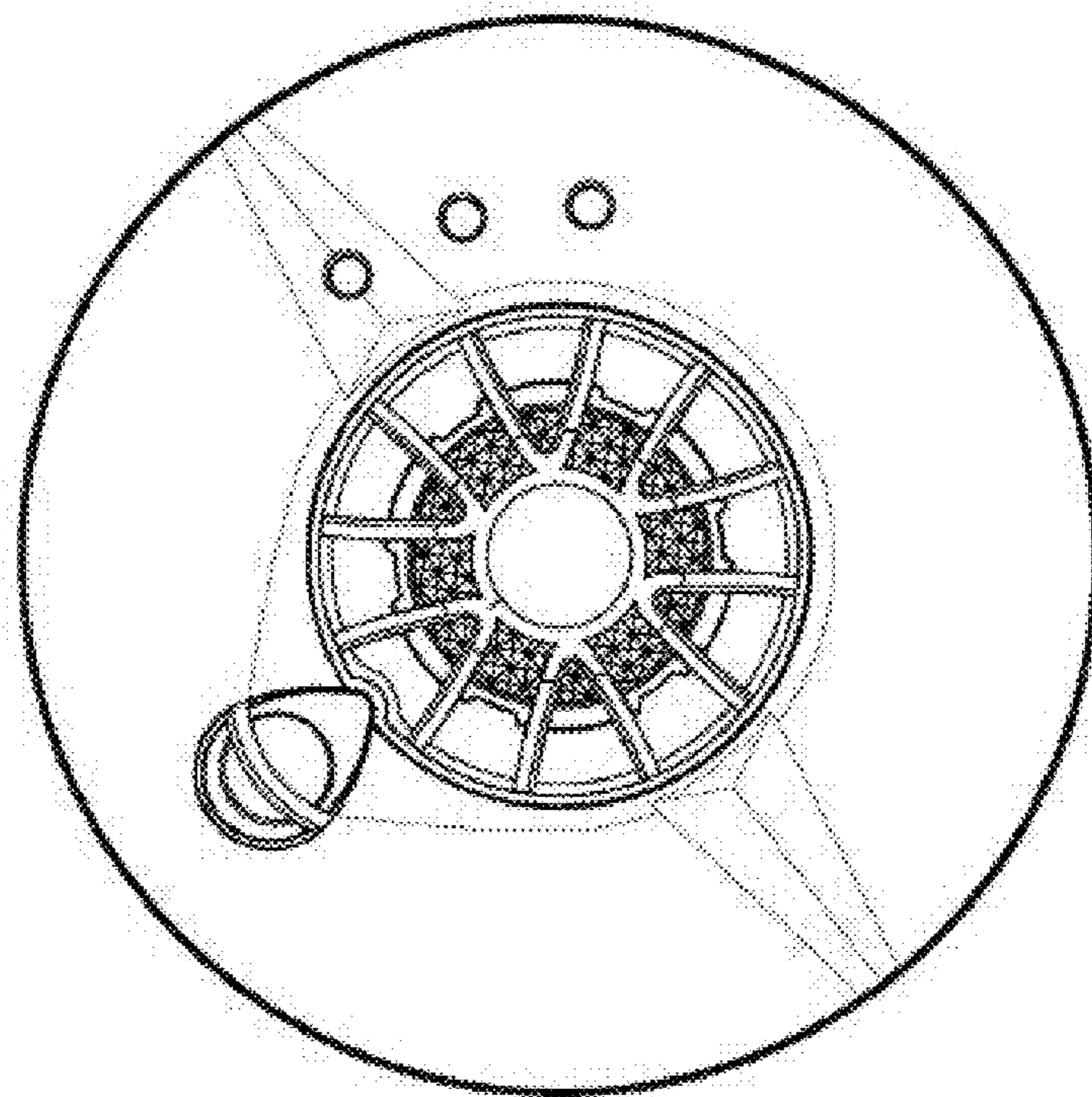


FIG. 2

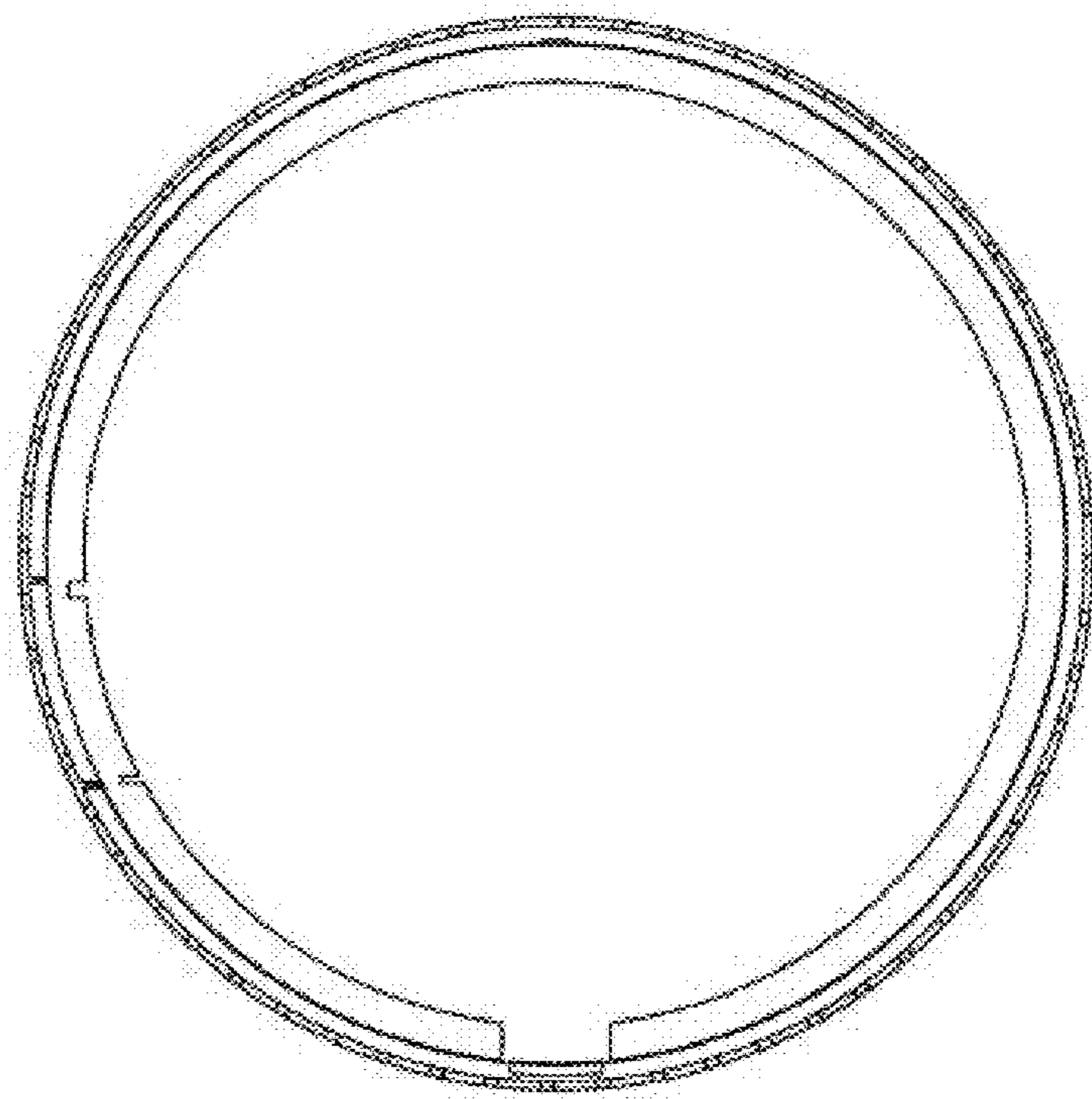


FIG. 3

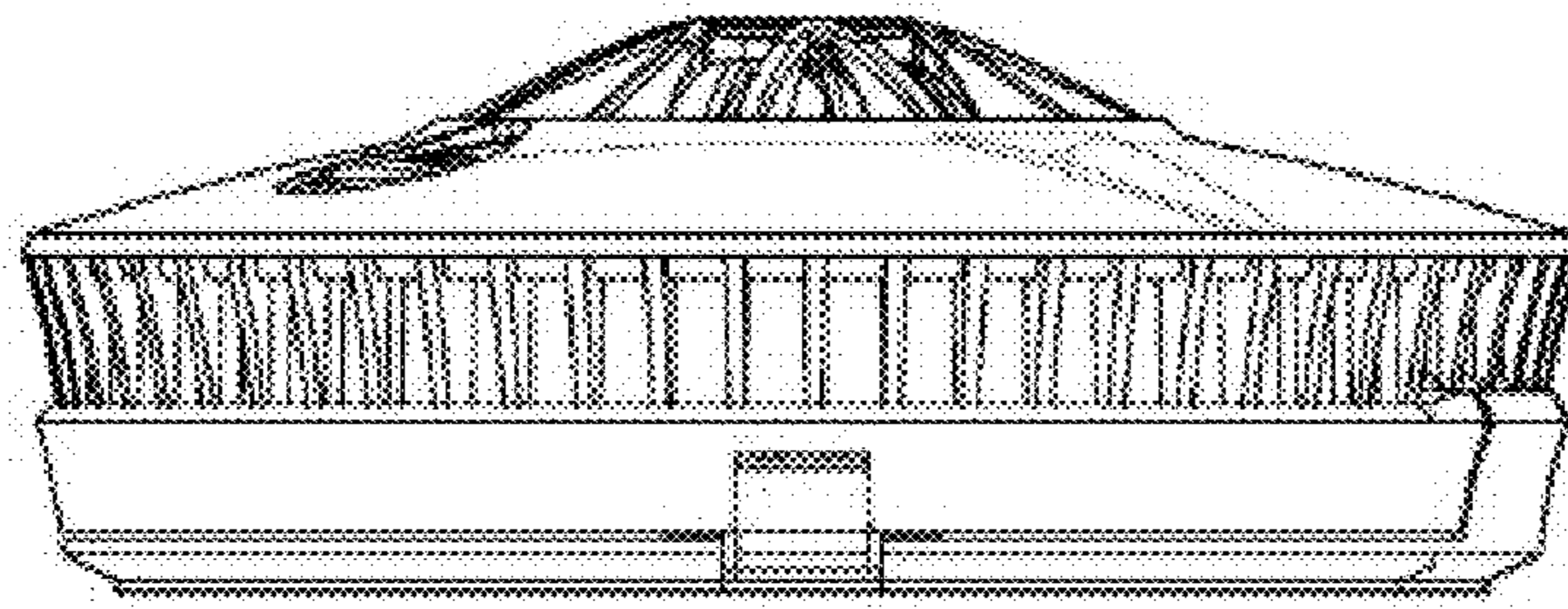


FIG. 4

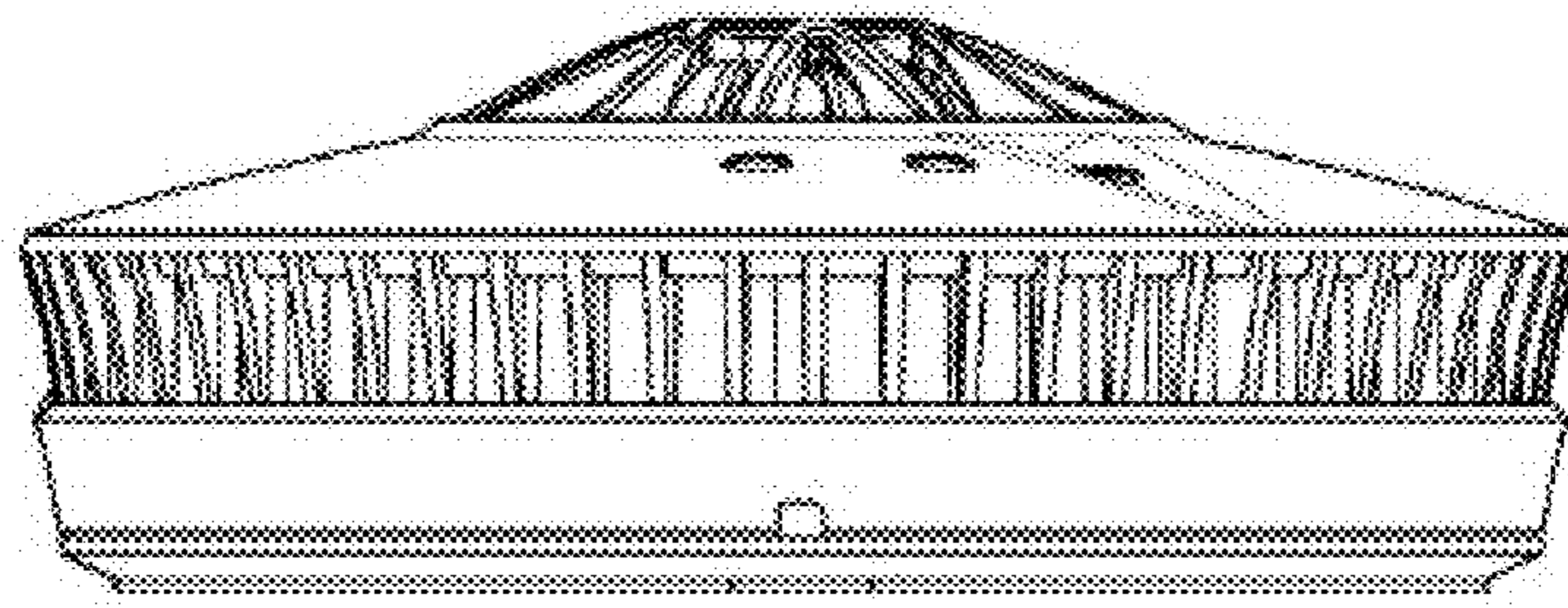


FIG. 5

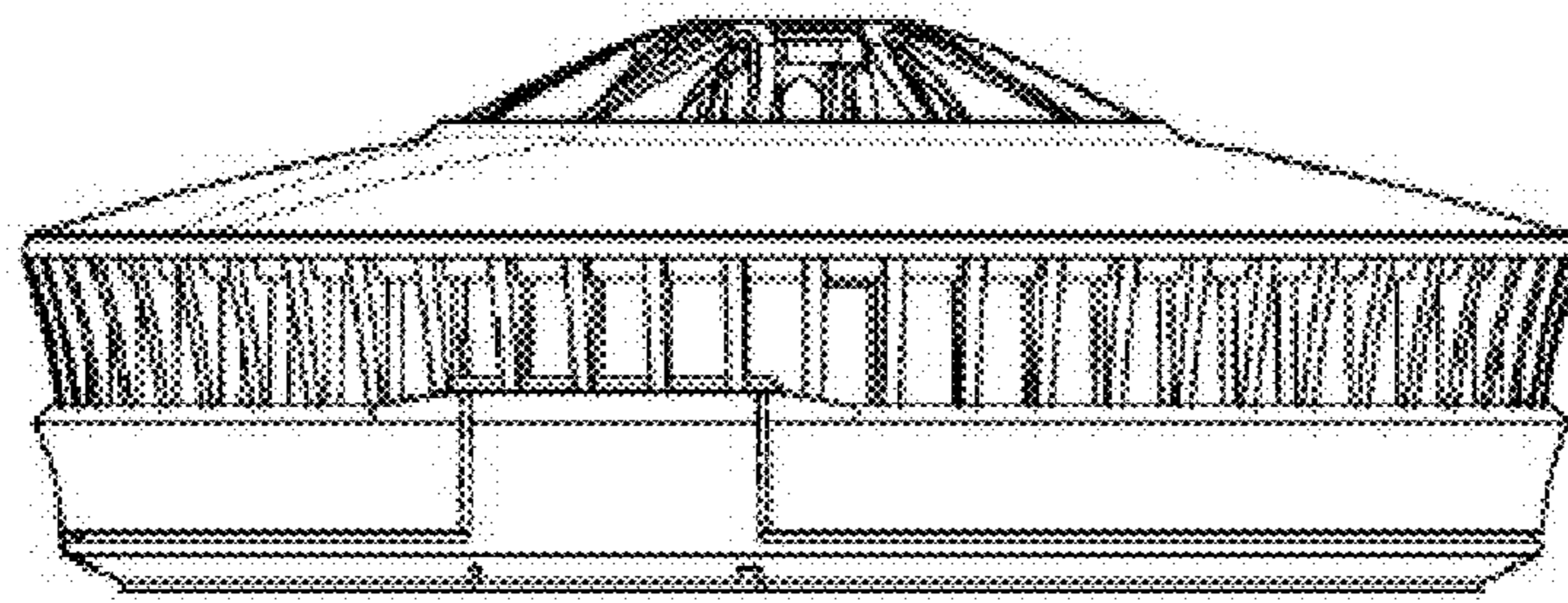


FIG. 6

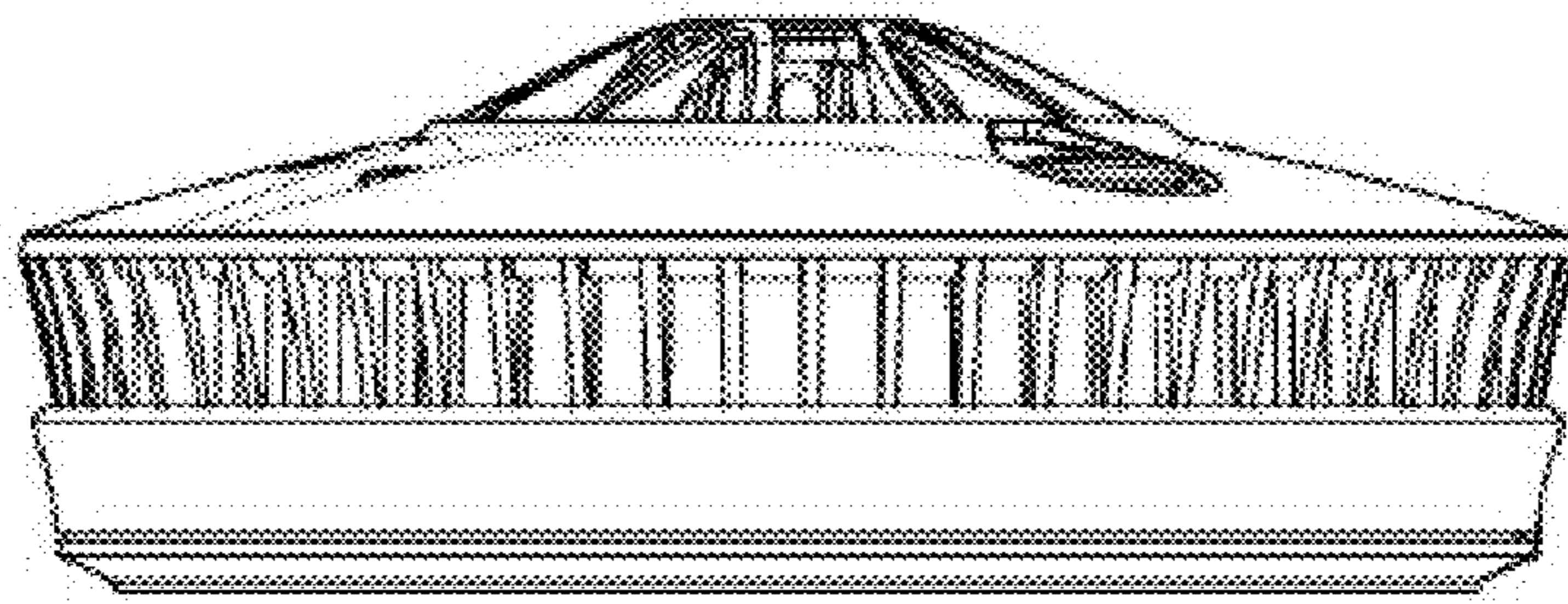


FIG. 7