



US00D814952S

(12) **United States Design Patent**  
**Taylor et al.**

(10) **Patent No.:** **US D814,952 S**  
(45) **Date of Patent:** **\*\* Apr. 10, 2018**

(54) **PENDENT PERSONAL EMERGENCY  
ALERTING DEVICE**

- (71) Applicant: **Inovonics Wireless Corporation**,  
Louisville, CO (US)
- (72) Inventors: **Harry B. Taylor**, Lafayette, CO (US);  
**Todd Stanley**, Broomfield, CO (US);  
**Sean Lewis**, Denver, CO (US);  
**Christian Huber**, Louisville, CO (US);  
**Daryl Burkhard**, Erie, CO (US); **Carol**  
**Markert**, Thornton, CO (US); **Rashid**  
**Al-hamoodah**, Longmont, CO (US);  
**Floyd Nishi**, Erie, CO (US); **Mark**  
**Jarman**, Louisville, CO (US); **Don**  
**Commare**, Brighton, CO (US);  
**Michael Slack**, Louisville, CO (US);  
**Eric Roth**, Louisville, CO (US)
- (73) Assignee: **INOVONICS WIRELESS**  
**CORPORATION**, Louisville, CO (US)

(\*\*) Term: **15 Years**

(21) Appl. No.: **29/534,724**

(22) Filed: **Jul. 30, 2015**

(51) **LOC (11) Cl.** ..... **10-05**

(52) **U.S. Cl.**  
USPC ..... **D10/104.1**

(58) **Field of Classification Search**  
USPC ..... D10/104.1, 104.2, 65

(Continued)

(56) **References Cited**

**U.S. PATENT DOCUMENTS**

- 4,491,970 A \* 1/1985 LaWhite ..... H04B 1/0343  
455/100
- D596,514 S \* 7/2009 Luzar ..... D10/65

(Continued)

**OTHER PUBLICATIONS**

Medical Alert, Image of "Cellular PERS Pendant" as pictured on website page for "Medical Alert Systems & Services," retrieved from <http://www.medicalalert.com/personal-emergency-products.html> on Nov. 9, 2015.

(Continued)

*Primary Examiner* — George D. Kirschbaum  
(74) *Attorney, Agent, or Firm* — Snyder, Clark, Lesch & Chung, LLP

(57) **CLAIM**

The ornamental design for the pendant personal emergency alerting device, as shown and described.

**DESCRIPTION**

FIG. 1 is an isometric front view of a pendant personal emergency alerting device in accordance with an exemplary embodiment of the design;

FIG. 2 is a bottom view of the pendant personal emergency alerting device of FIG. 1;

FIG. 3 is a top view of the pendant personal emergency alerting device of FIG. 1;

FIG. 4 is a right side view of the pendant personal emergency alerting device of FIG. 1;

FIG. 5 is a left side view of the pendant personal emergency alerting device of FIG. 1;

FIG. 6 is a front view of the pendant personal emergency alerting device of FIG. 1;

FIG. 7 is a back view of the pendant personal emergency alerting device of FIG. 1;

FIG. 8 is an isometric view of the pendant personal emergency alerting device.

FIG. 9 is a bottom view of the pendant personal emergency alerting device of FIG. 8;

FIG. 10 is a top view of the pendant personal emergency alerting device of FIG. 8;

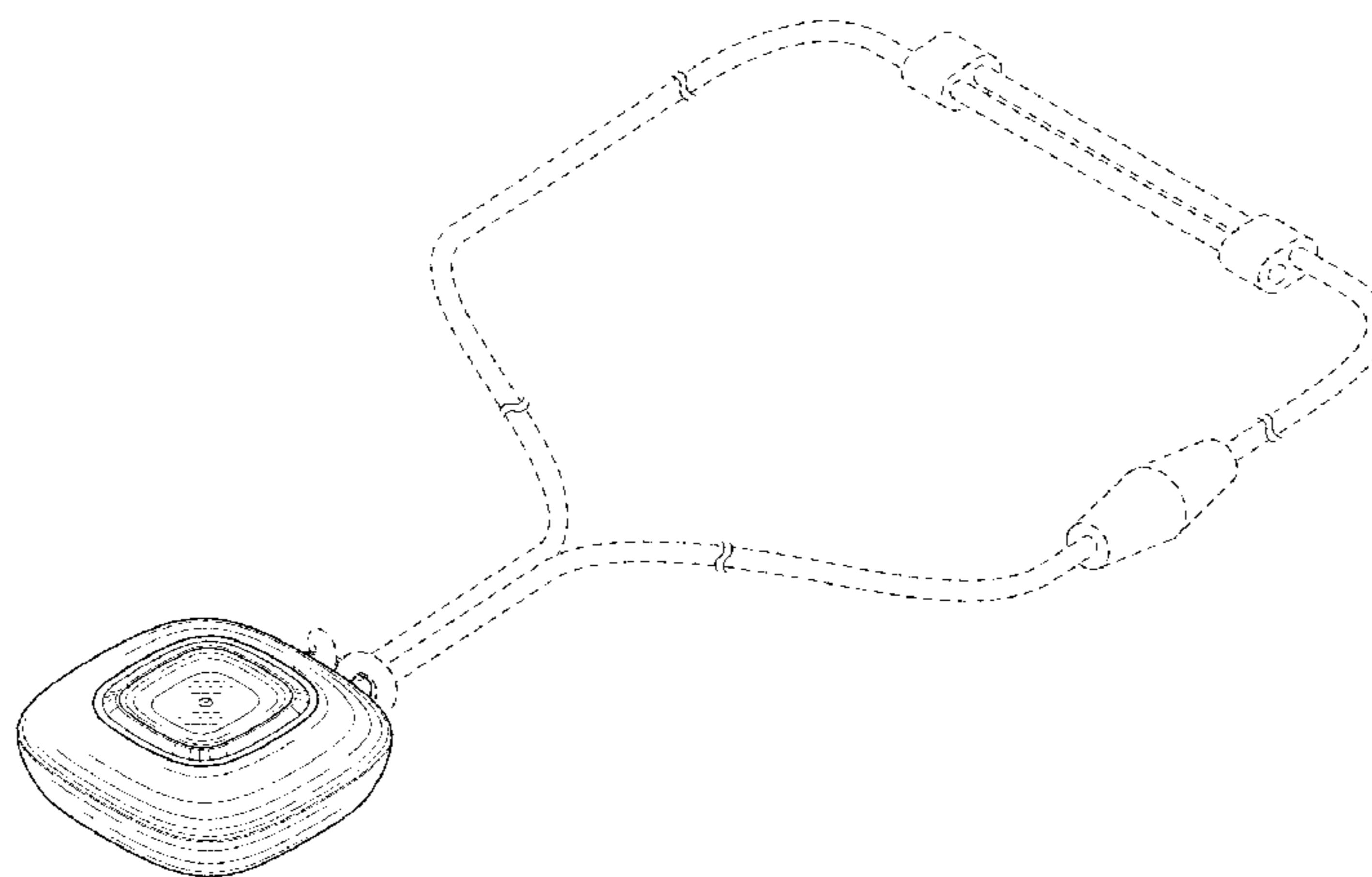
FIG. 11 is a right side view of the pendant personal emergency alerting device of FIG. 8;

FIG. 12 is a left side view of the pendant personal emergency alerting device of FIG. 8;

FIG. 13 is a front view of the pendant personal emergency alerting device of FIG. 8; and,

FIG. 14 is a back view of the pendant personal emergency alerting device of FIG. 8.

(Continued)



The broken line showing of a necklace is included for the purpose of illustrating portions of the “article” and forms no part of the claimed design.

D755,657 S \* 5/2016 Xu ..... D10/104.1  
D777,592 S \* 1/2017 Benoit ..... D10/104.1  
2006/0006998 A1\* 1/2006 Carlson ..... A61B 5/0205  
340/539.12

**1 Claim, 10 Drawing Sheets**

(58) **Field of Classification Search**  
CPC ..... H04B 1/0343; A61B 5/0205  
See application file for complete search history.

(56) **References Cited**

U.S. PATENT DOCUMENTS

D679,618 S \* 4/2013 Dumas ..... D10/104.2  
D683,251 S \* 5/2013 Dumas ..... D10/104.2  
D708,534 S \* 7/2014 Martin ..... D10/104.1  
D711,758 S \* 8/2014 Heath ..... D10/104.1  
D746,709 S \* 1/2016 Heath ..... D10/104.2

OTHER PUBLICATIONS

Medical Alert, Image of “Cellular PERS Wristband—Black” as pictured on website page for “Medical Alert Systems & Services,” retrieved from <http://www.medicalalert.com/personal-emergency-products.html> on Nov. 9, 2015.

Medical Alert, Image of “Cellular PERS Wristband—White” as pictured on website page for “Medical Alert Systems & Services,” retrieved from <http://www.medicalalert.com/personal-emergency-products.html> on Nov. 9, 2015.

Medical Alert, Website page for “Medical Alert Systems & Services,” retrieved from <http://www.medicalalert.com/personal-emergency-products.html> on Nov. 9, 2015.

\* cited by examiner

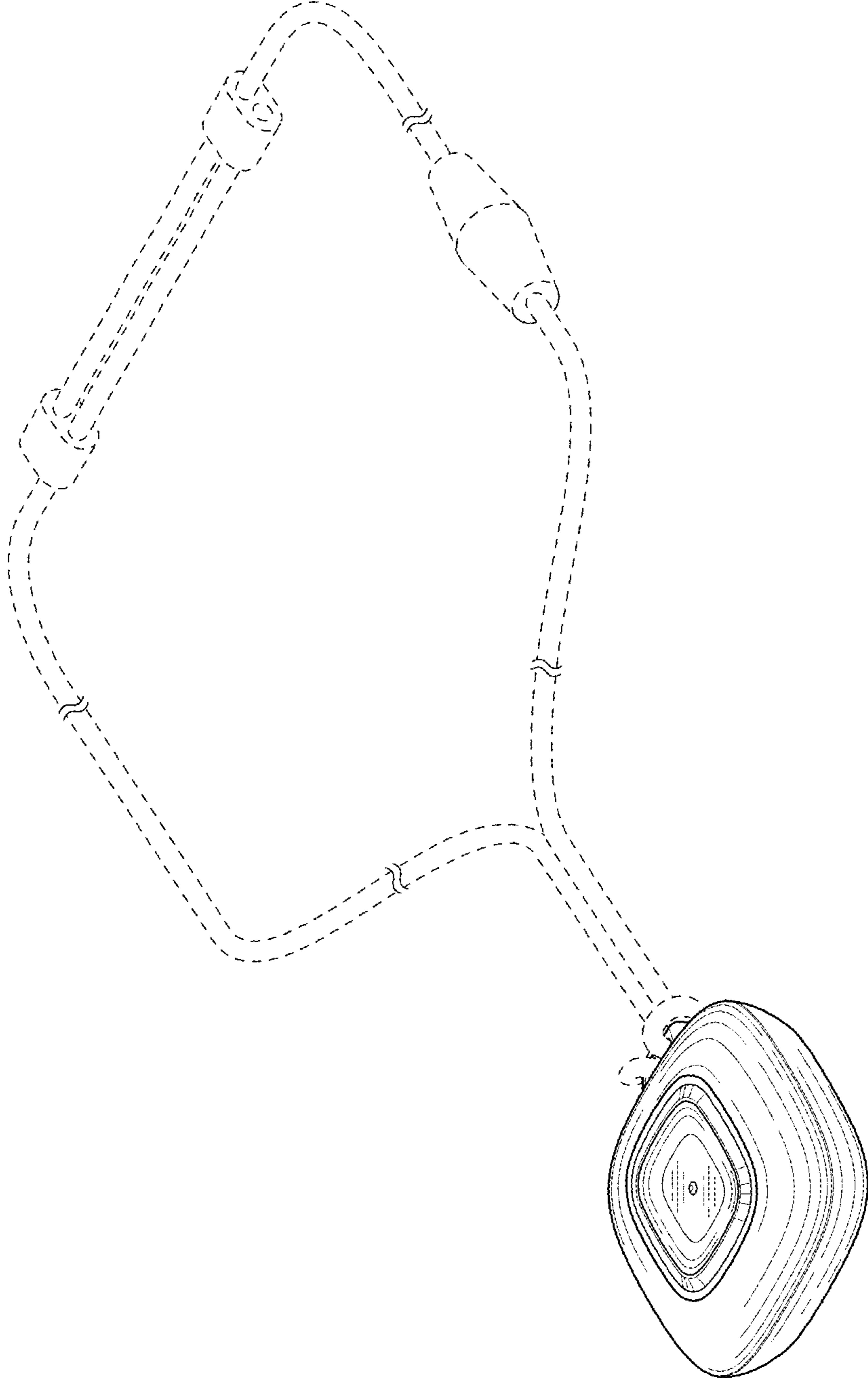


FIG. 1

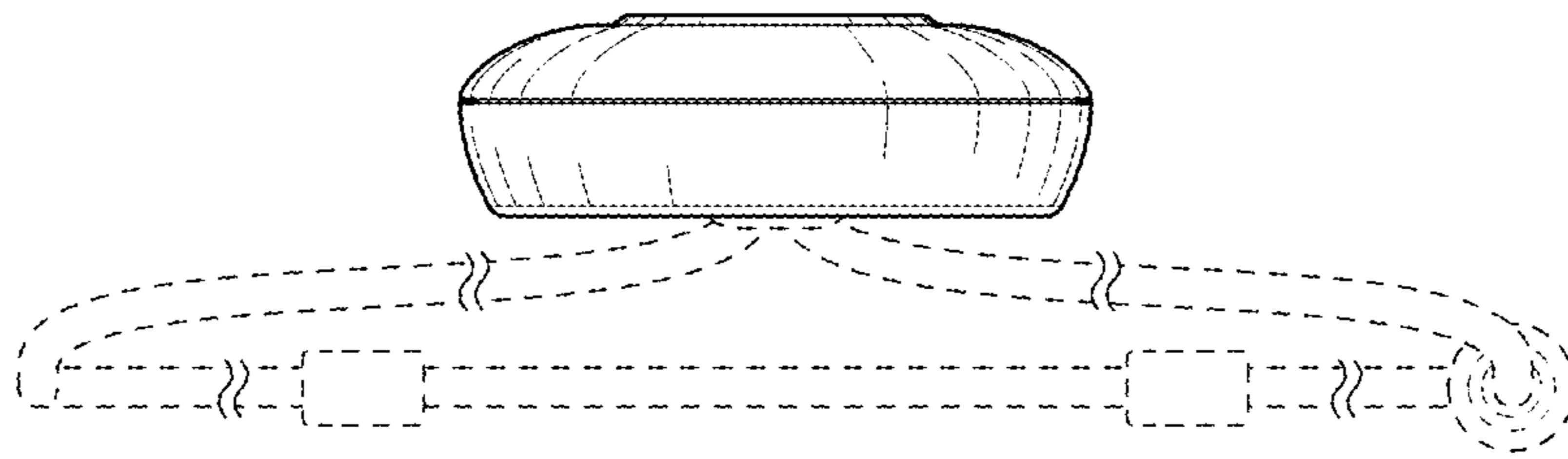


FIG. 2

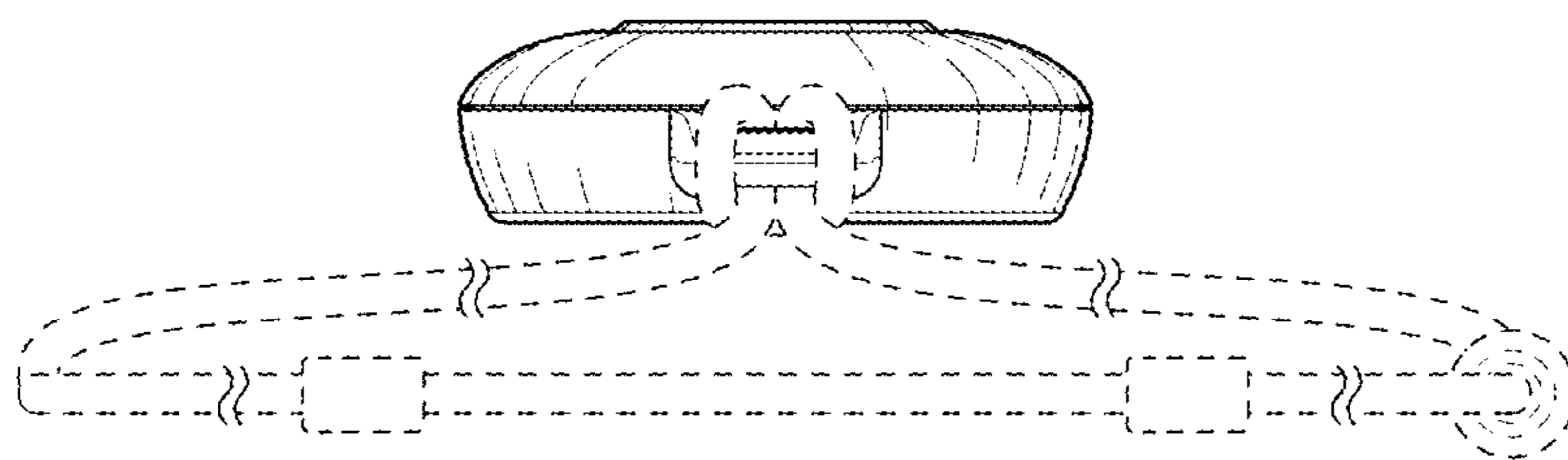


FIG. 3

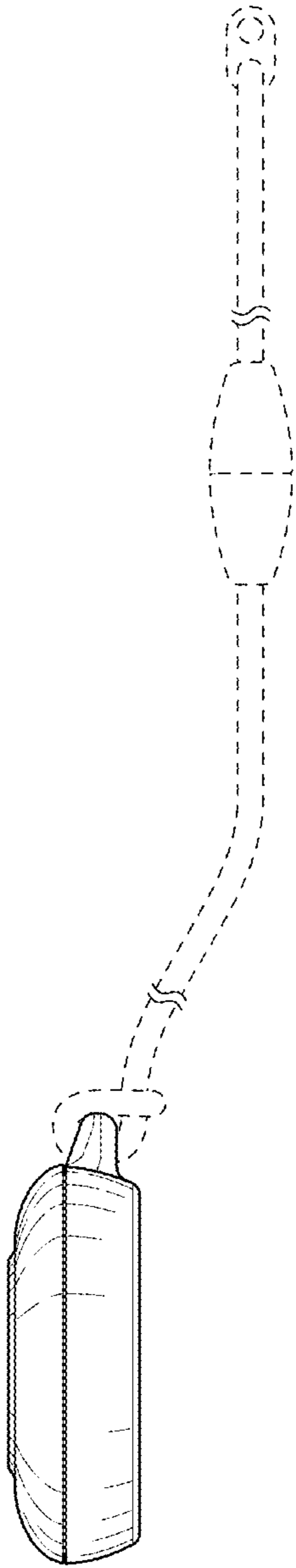


FIG. 4

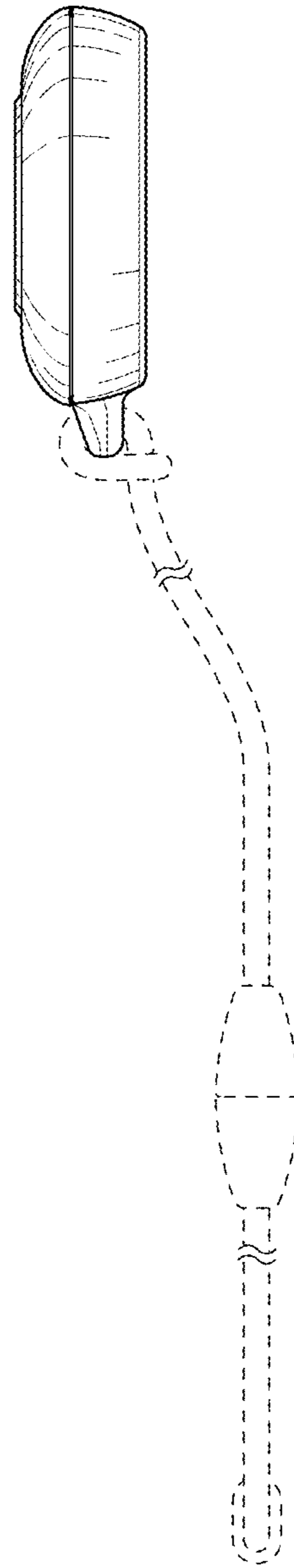


FIG. 5

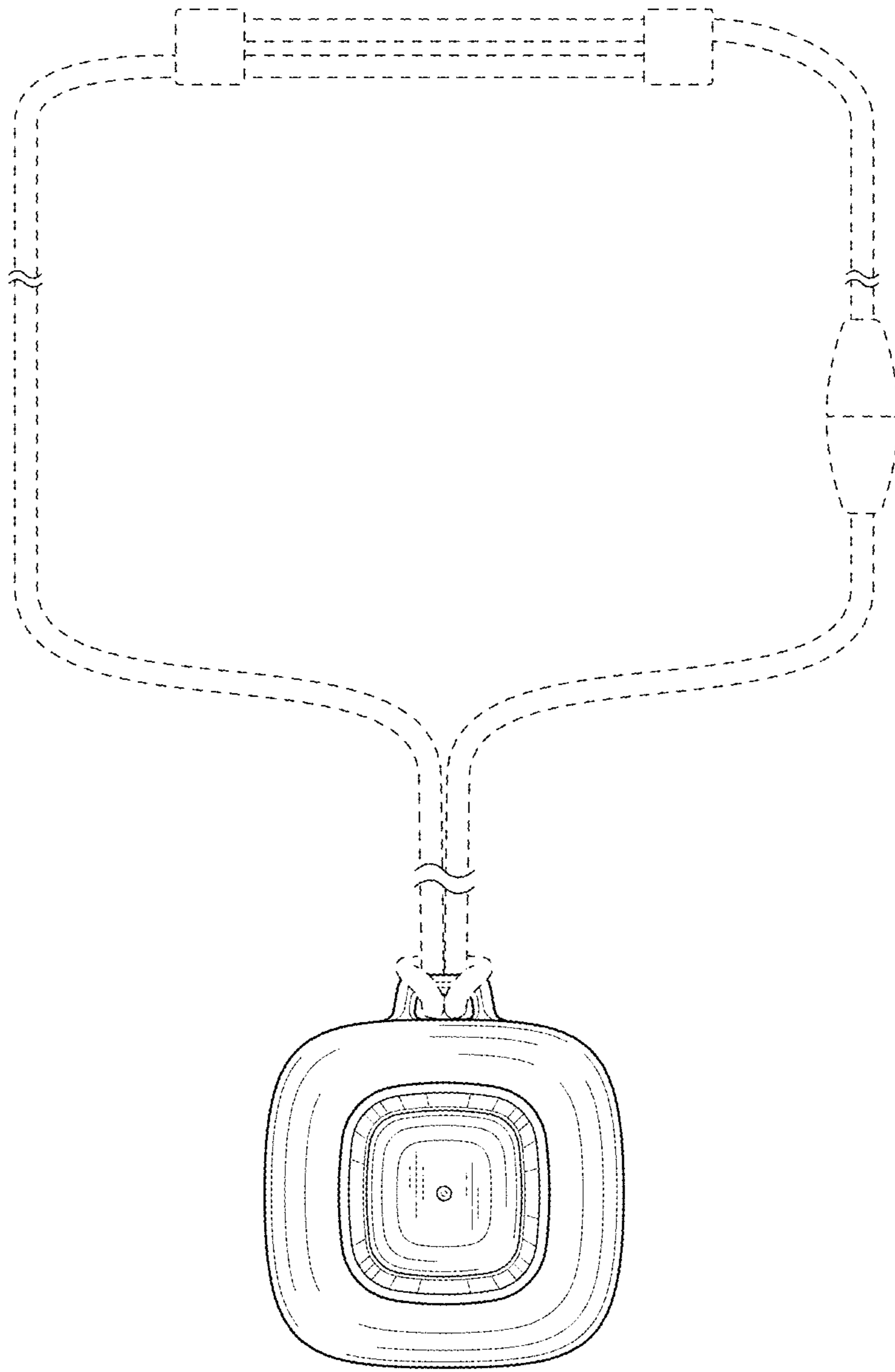


FIG. 6



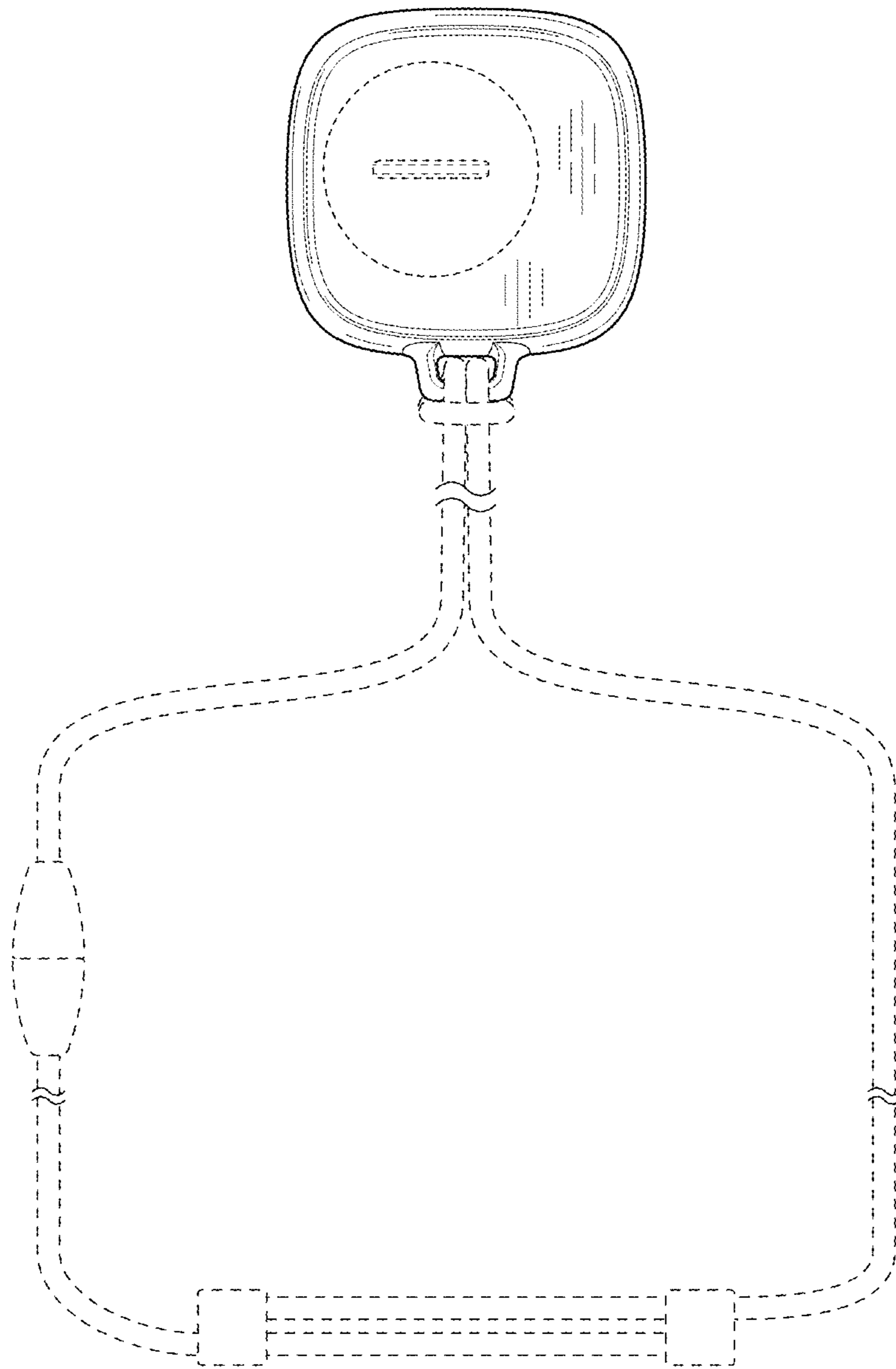


FIG. 7

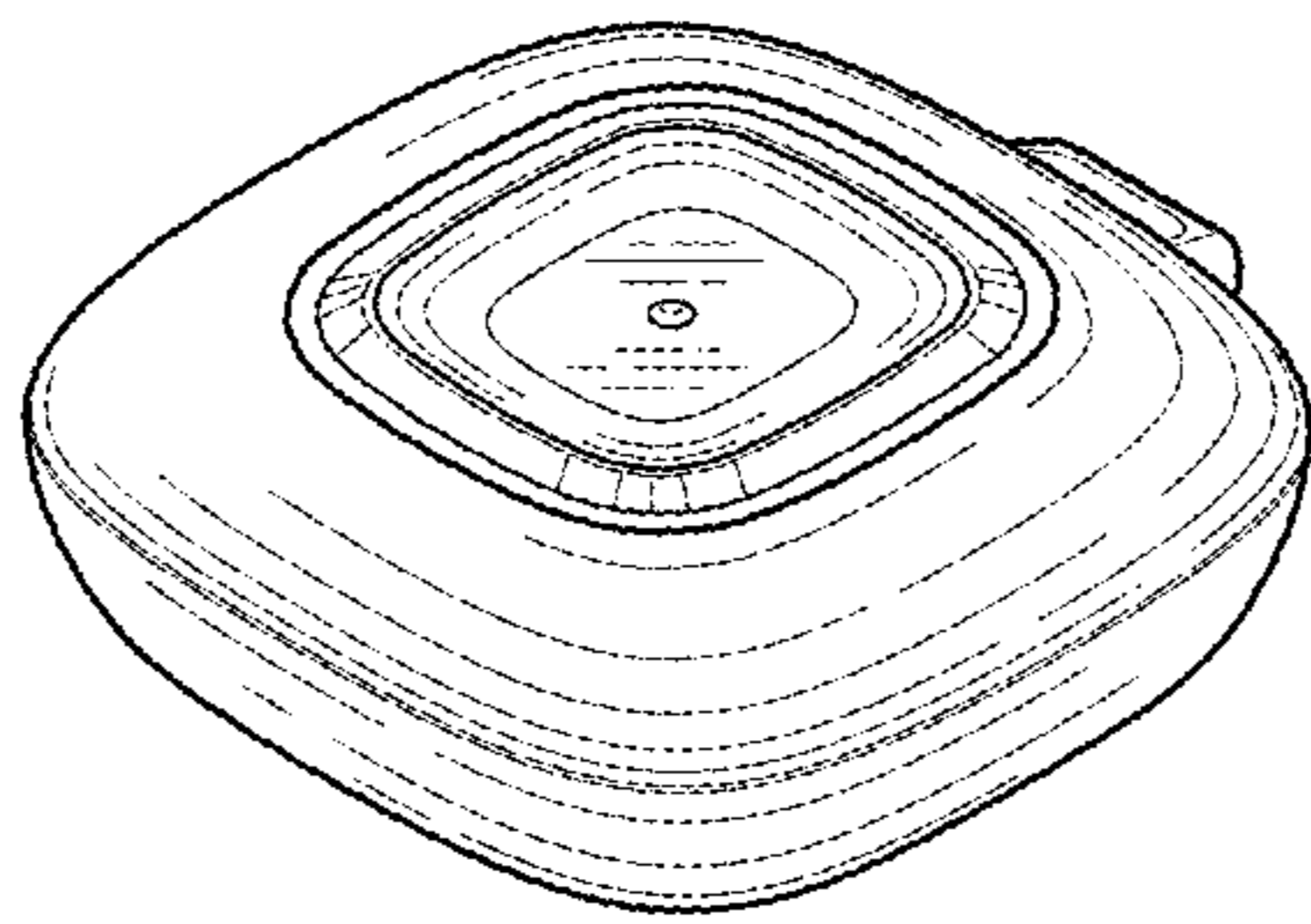


FIG. 8



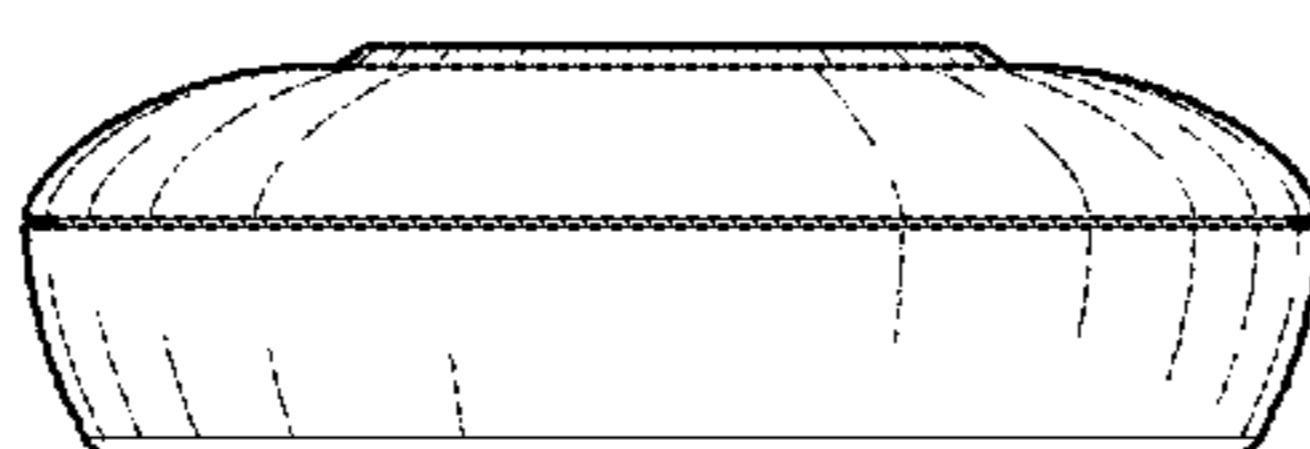


FIG. 9

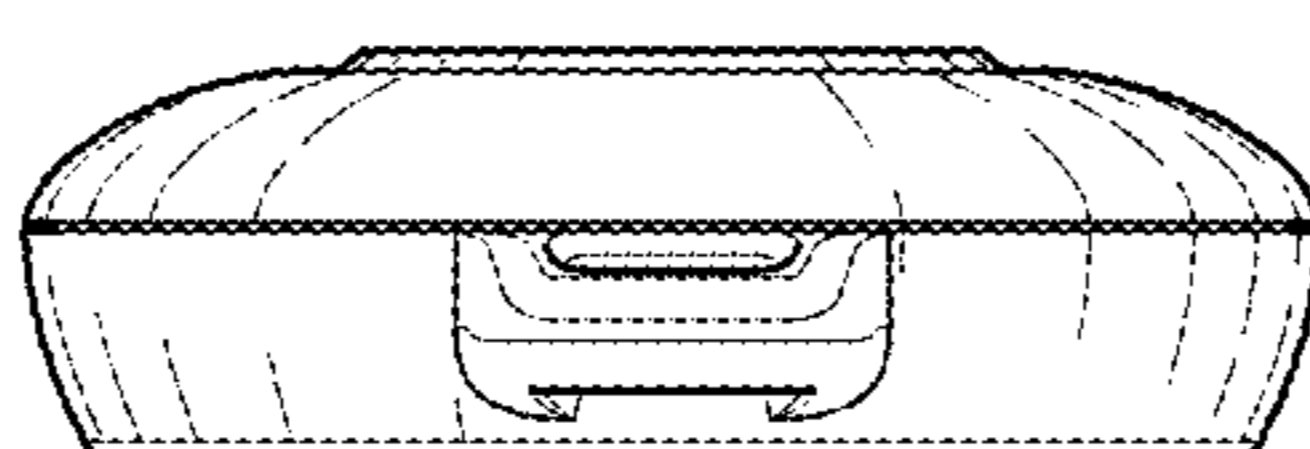


FIG. 10

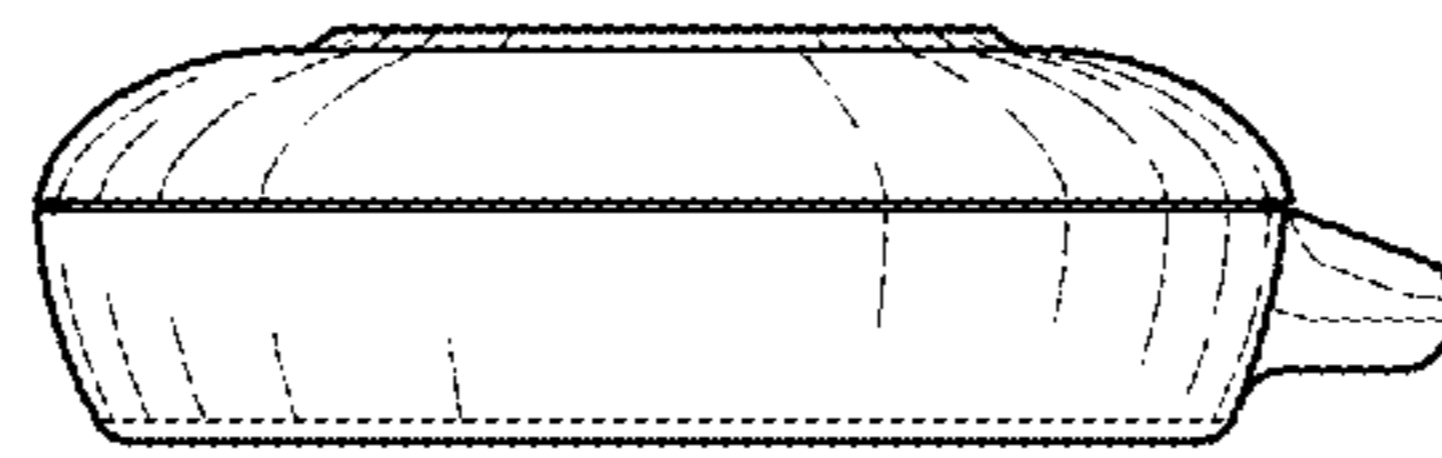


FIG. 11

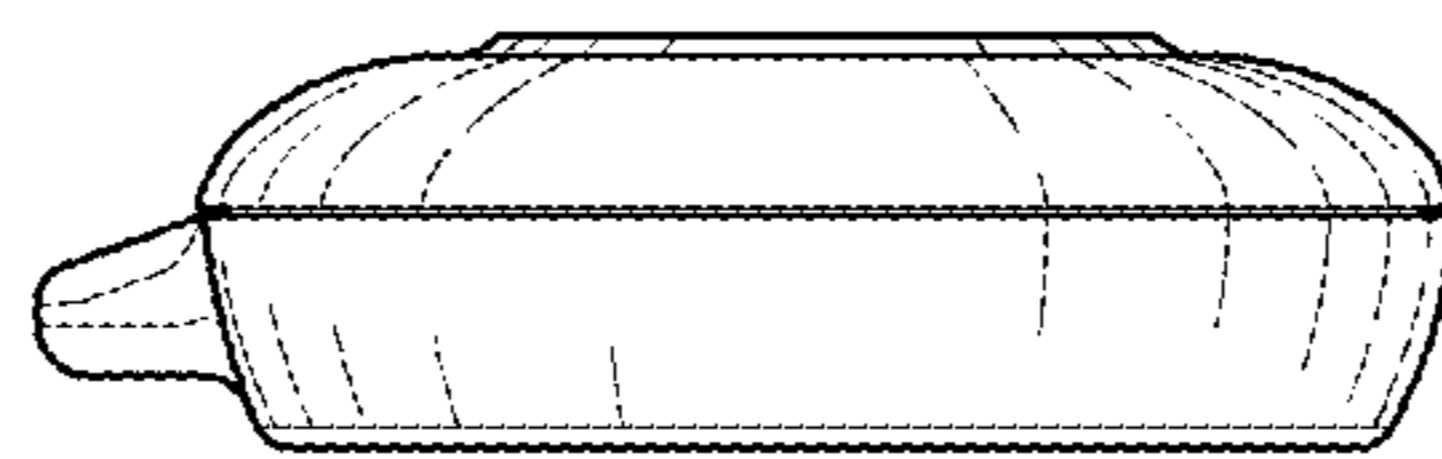


FIG. 12

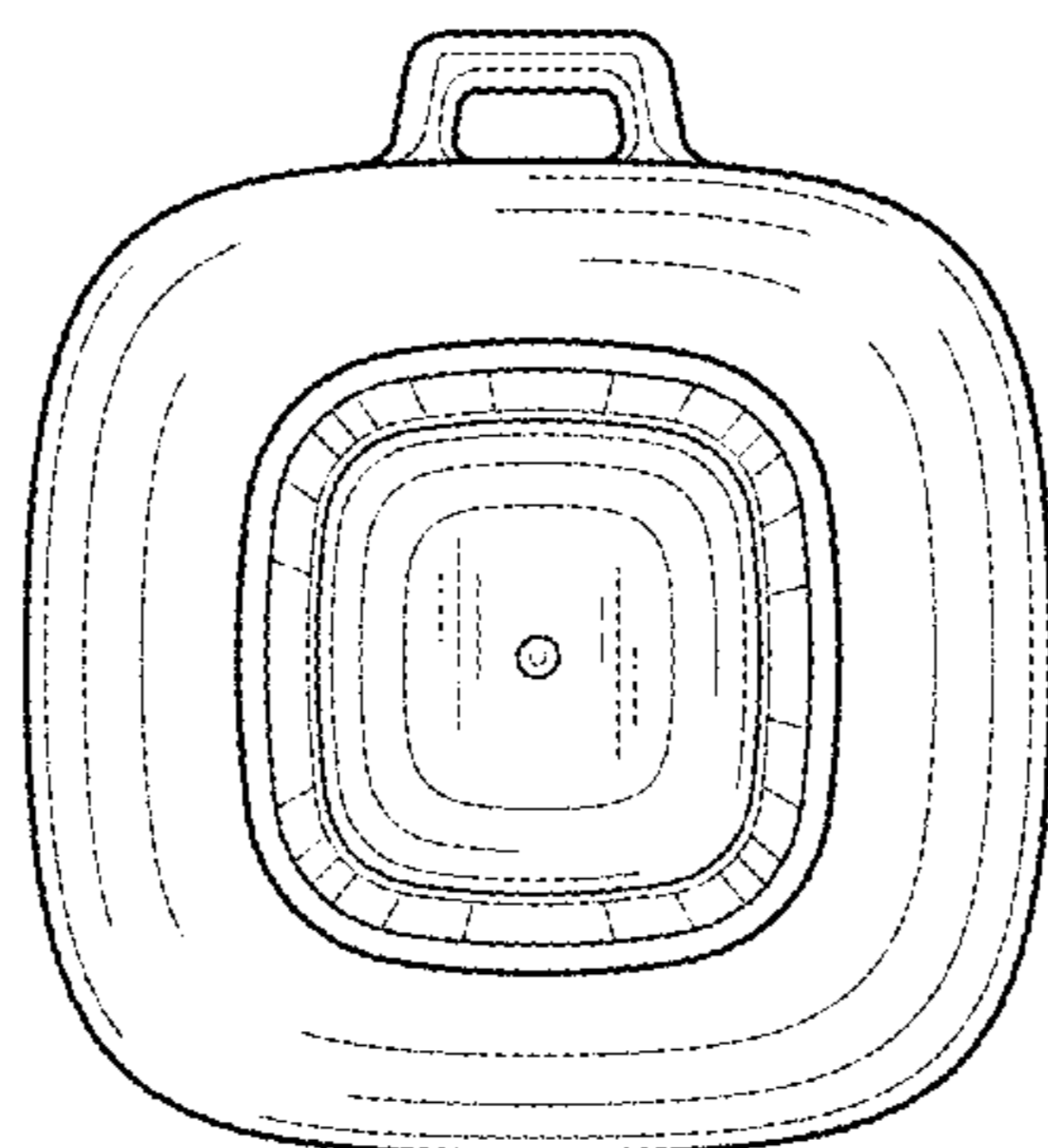


FIG. 13

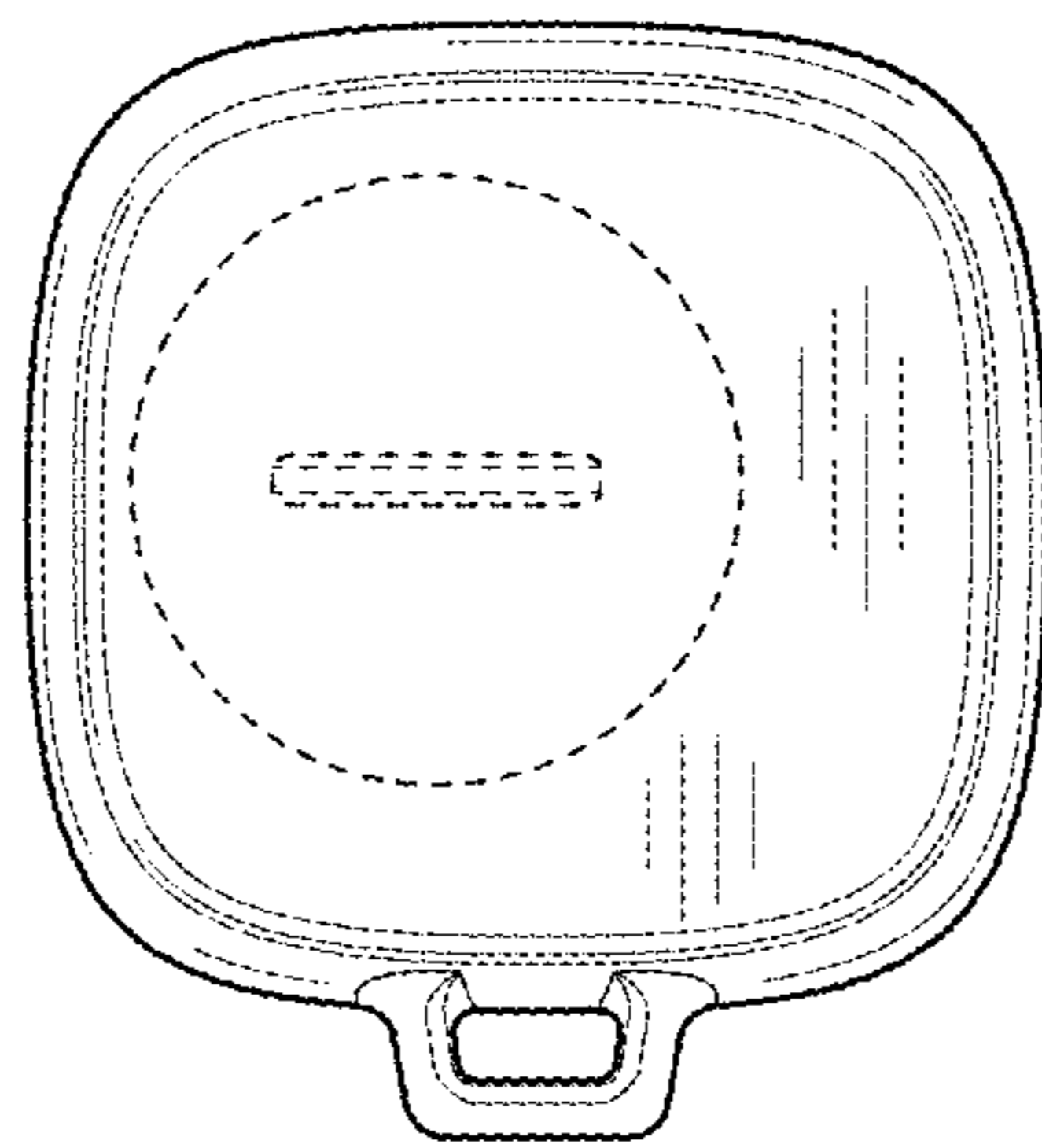


FIG. 14