



US00D814951S

(12) **United States Design Patent**
Gregory et al.

(10) **Patent No.:** **US D814,951 S**
(45) **Date of Patent:** **** Apr. 10, 2018**

(54) **PERPETUAL MEASUREMENT CHAMBER**

OTHER PUBLICATIONS

(71) Applicant: **RG5 Meter Company, Inc.**, Longview, TX (US)

Pictures of a prior art measurement chamber design, (design over 20 years old).

(72) Inventors: **Michael Lee Gregory**, Hallsville, TX (US); **Johnathan Scott Ratliff**, Glenn Heights, TX (US); **Travis Sparks**, Longview, TX (US)

* cited by examiner

Primary Examiner — Antoine Duval Davis
(74) *Attorney, Agent, or Firm* — Monty Simmons; Simmons Patents

(**) Term: **15 Years**

(21) Appl. No.: **29/574,901**

(57) **CLAIM**

(22) Filed: **Aug. 19, 2016**

The ornamental design for a perpetual measurement chamber, as shown and described.

Related U.S. Application Data

(63) Continuation-in-part of application No. 14/530,647, filed on Oct. 31, 2014, now Pat. No. 9,568,351.

DESCRIPTION

(51) **LOC (11) Cl.** **10-04**

(52) **U.S. Cl.**

USPC **D10/96**

(58) **Field of Classification Search**

USPC D10/96

CPC G01F 15/14; G01F 1/05; G01D 4/00

See application file for complete search history.

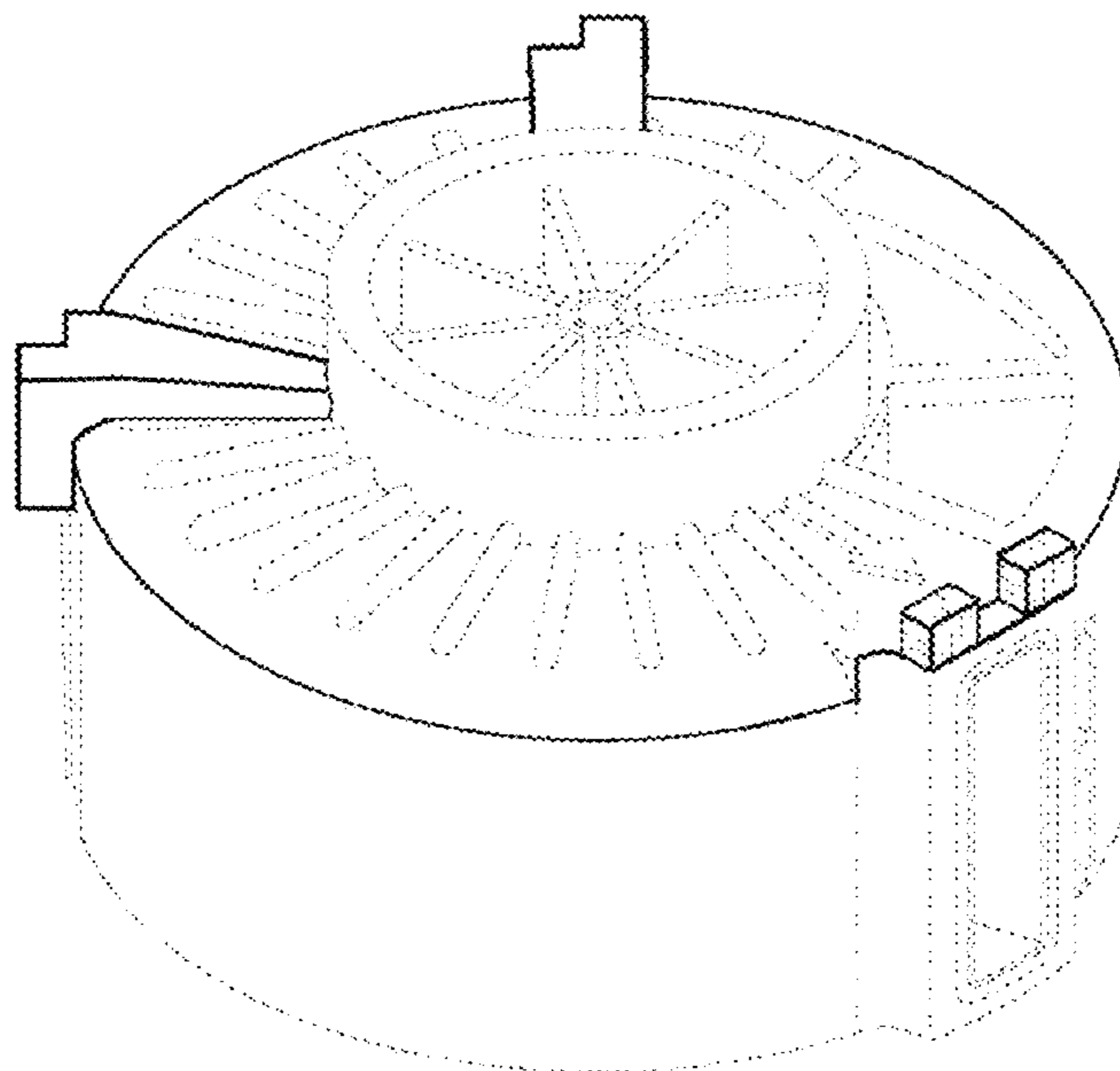
FIG. 1 is a bottom plan view thereof;
FIG. 2 is a top plan view thereof;
FIG. 3 is a right side elevational view thereof;
FIG. 4 is a left side elevational view thereof;
FIG. 5 is a perspective view thereof;
FIG. 6 is a bottom plan view of an alternative embodiment thereof;
FIG. 7 is a top plan view thereof;
FIG. 8 is a back side elevational view thereof;
FIG. 9 is a front side elevational view thereof;
FIG. 10 is a right side elevational view thereof; and,
FIG. 11 is a left side elevational view thereof.
The broken lines are for illustrative purposes only and form no part of the claimed design.

(56) **References Cited**

U.S. PATENT DOCUMENTS

6,363,762 B1 * 4/2002 Kueng E05B 47/063
70/278.3
7,640,944 B2 * 1/2010 Zakai G01F 1/26
137/14
D680,457 S * 4/2013 Hendey, Sr. D10/100

1 Claim, 8 Drawing Sheets



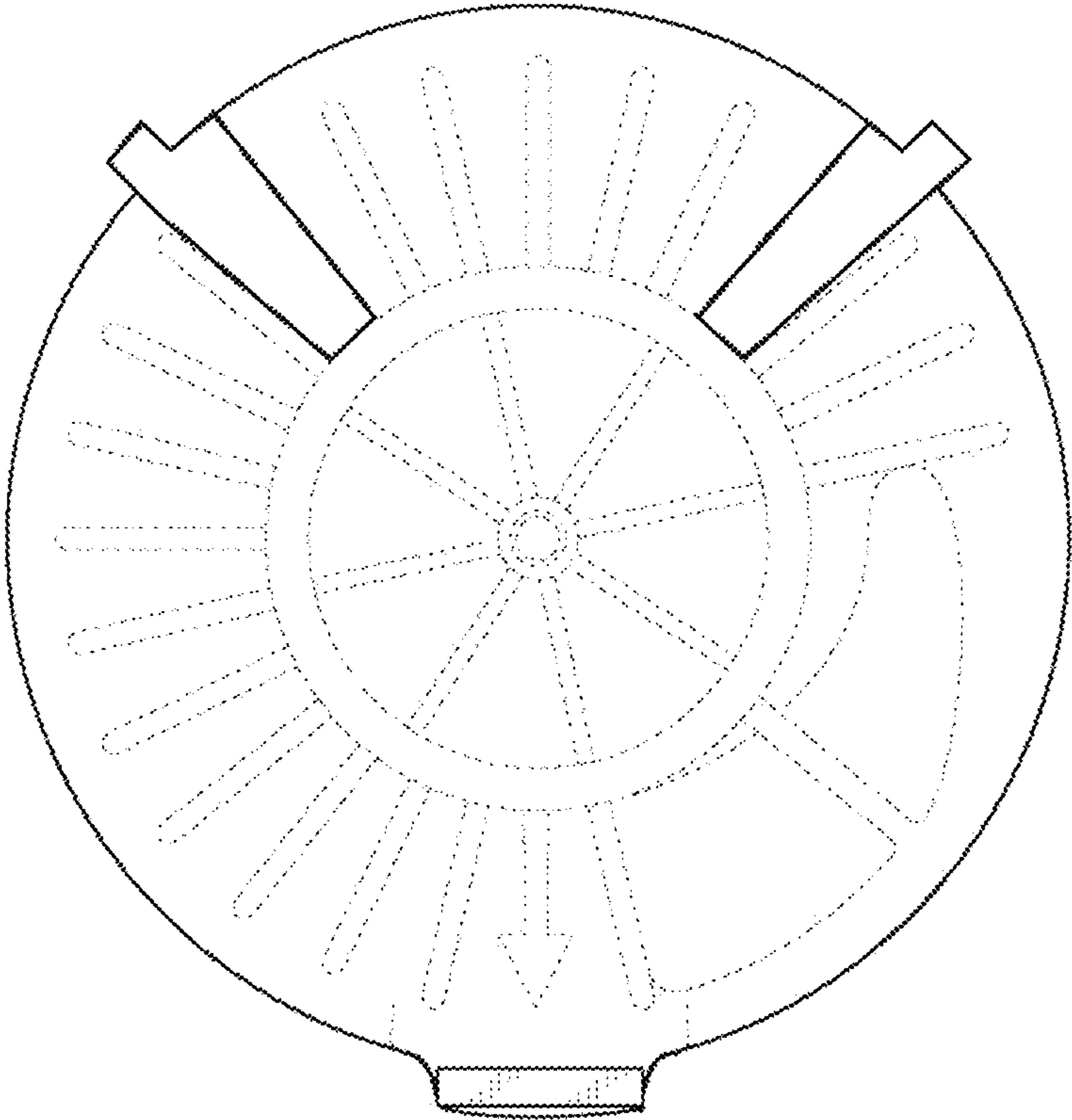


Fig. 1

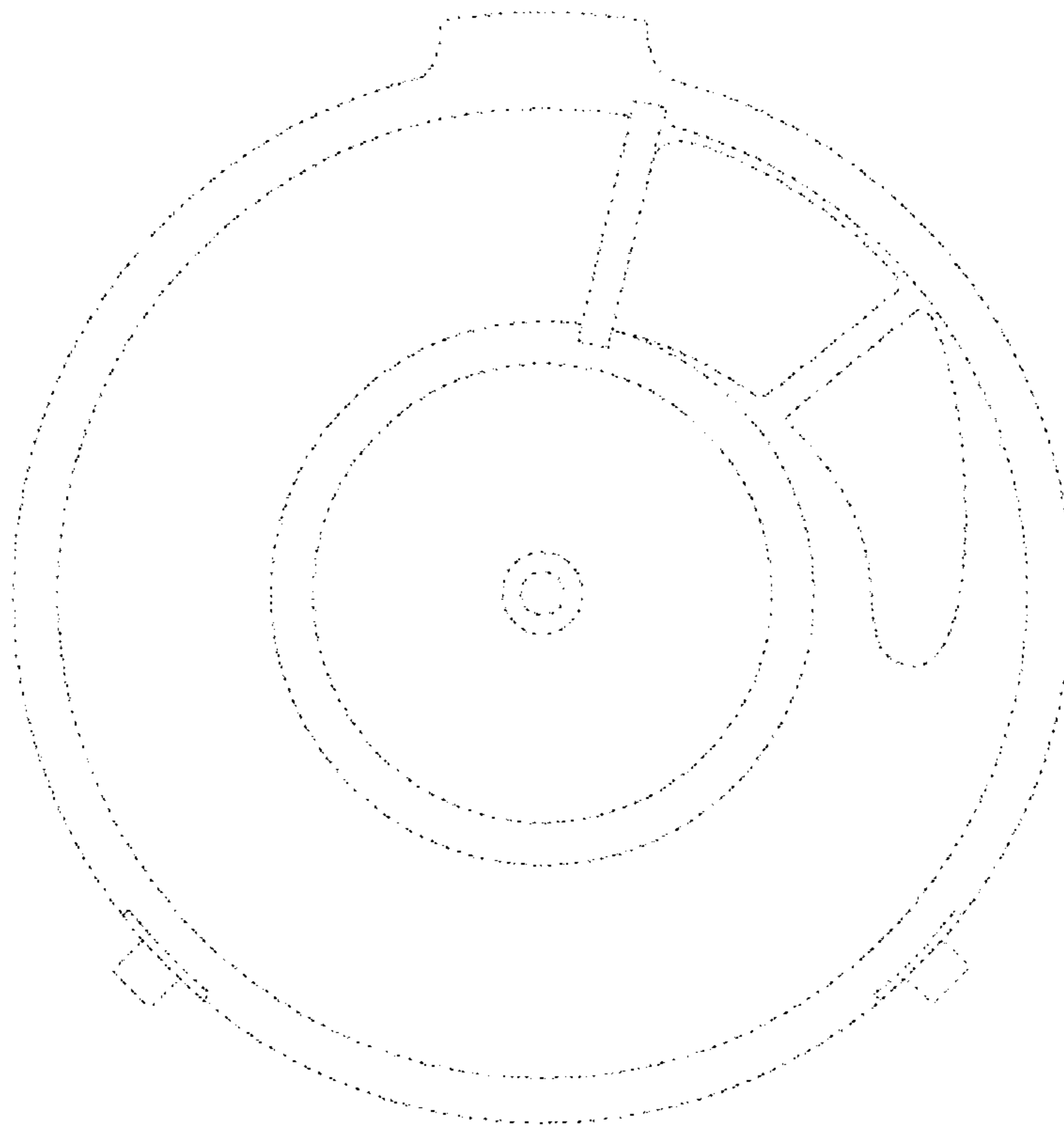


Fig. 2

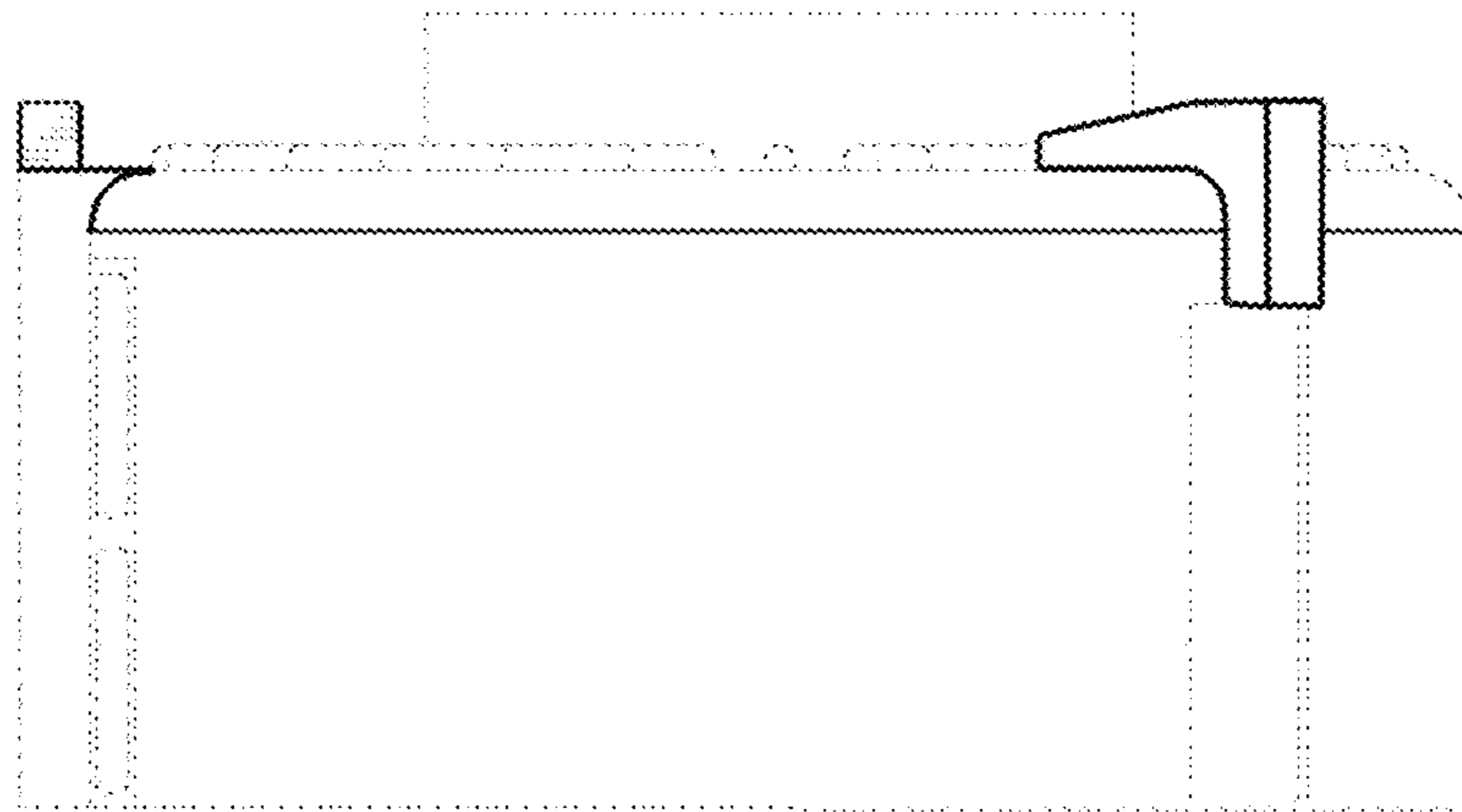


Fig. 3

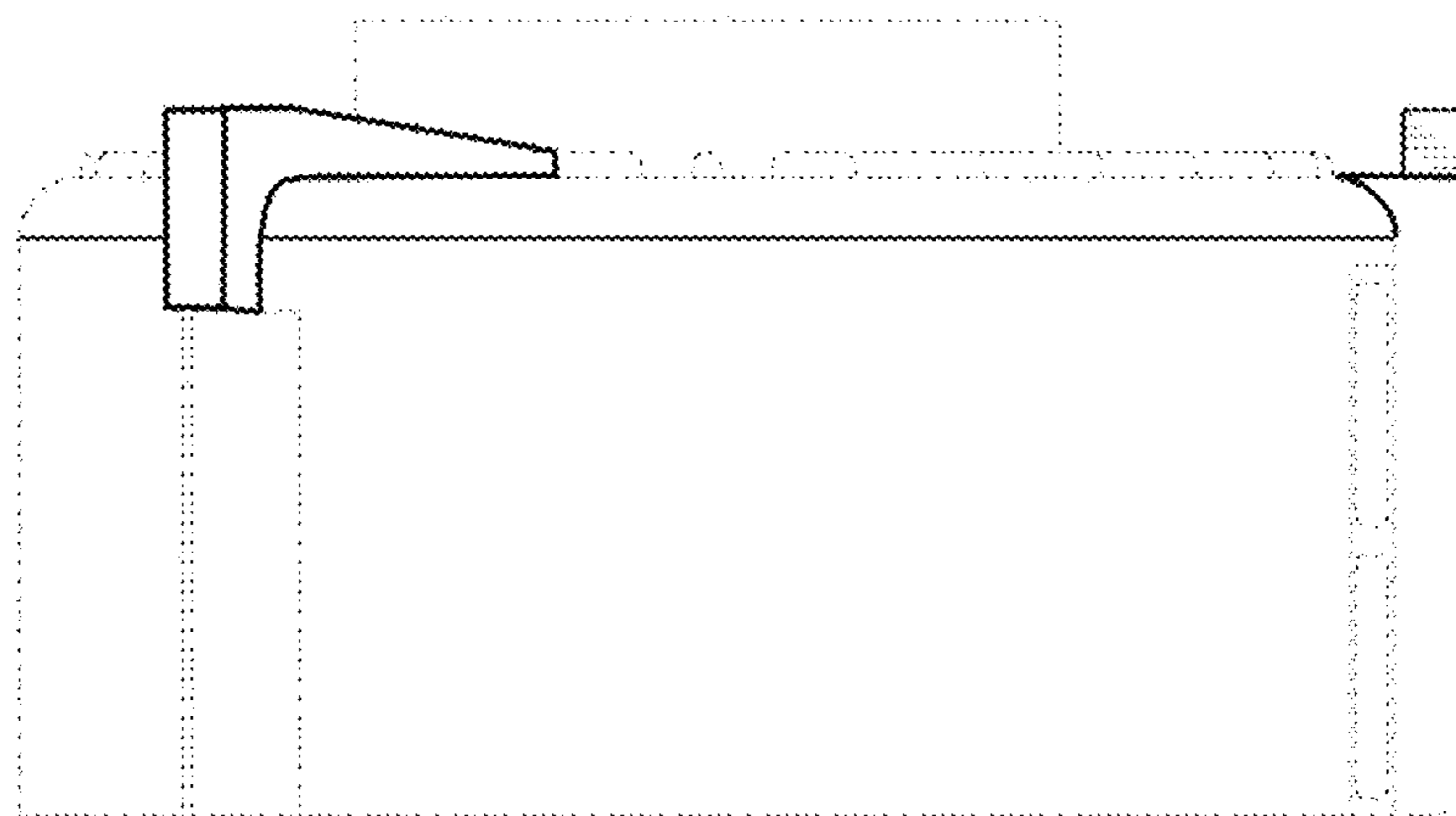


Fig. 4

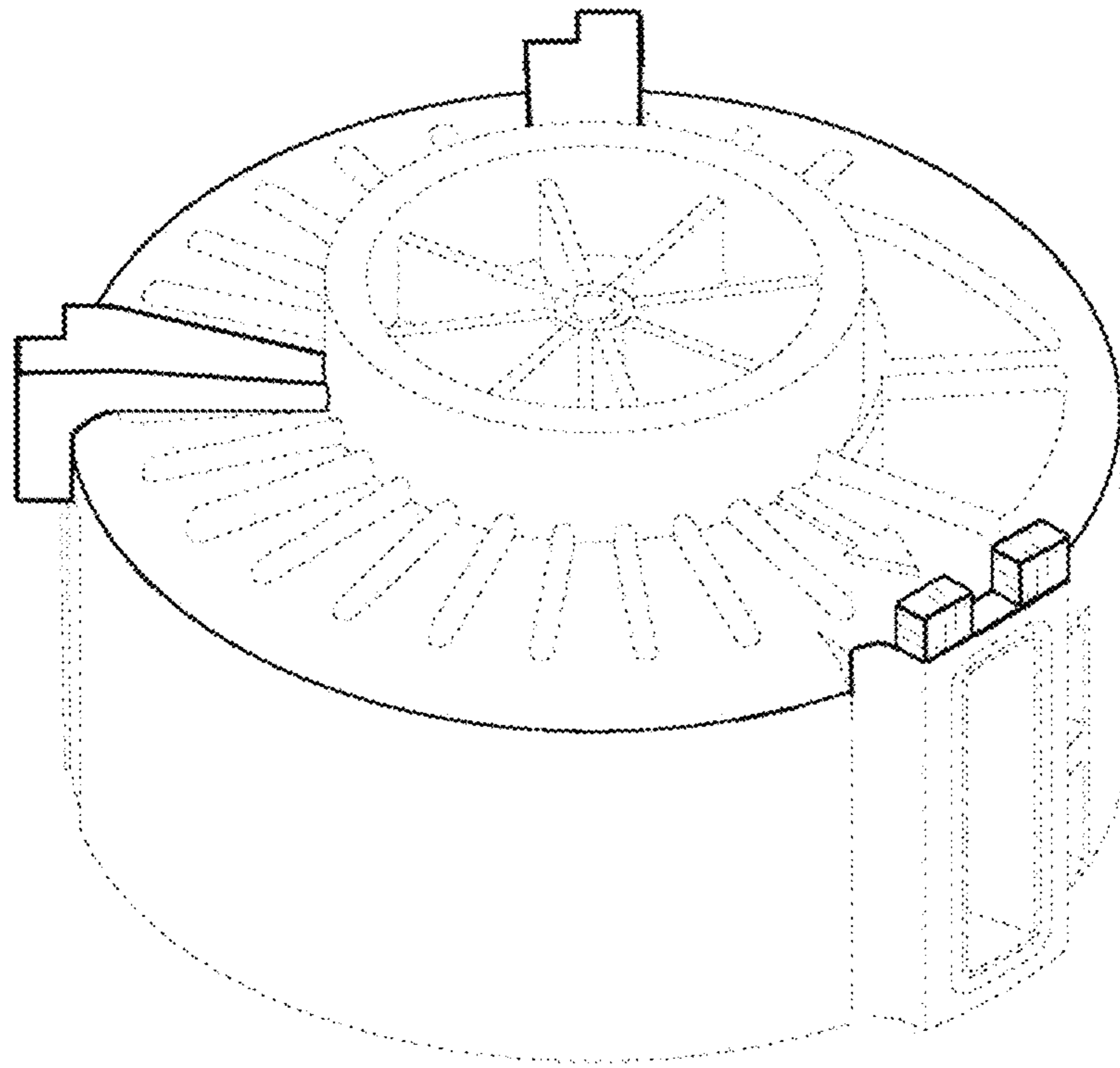


Fig. 5

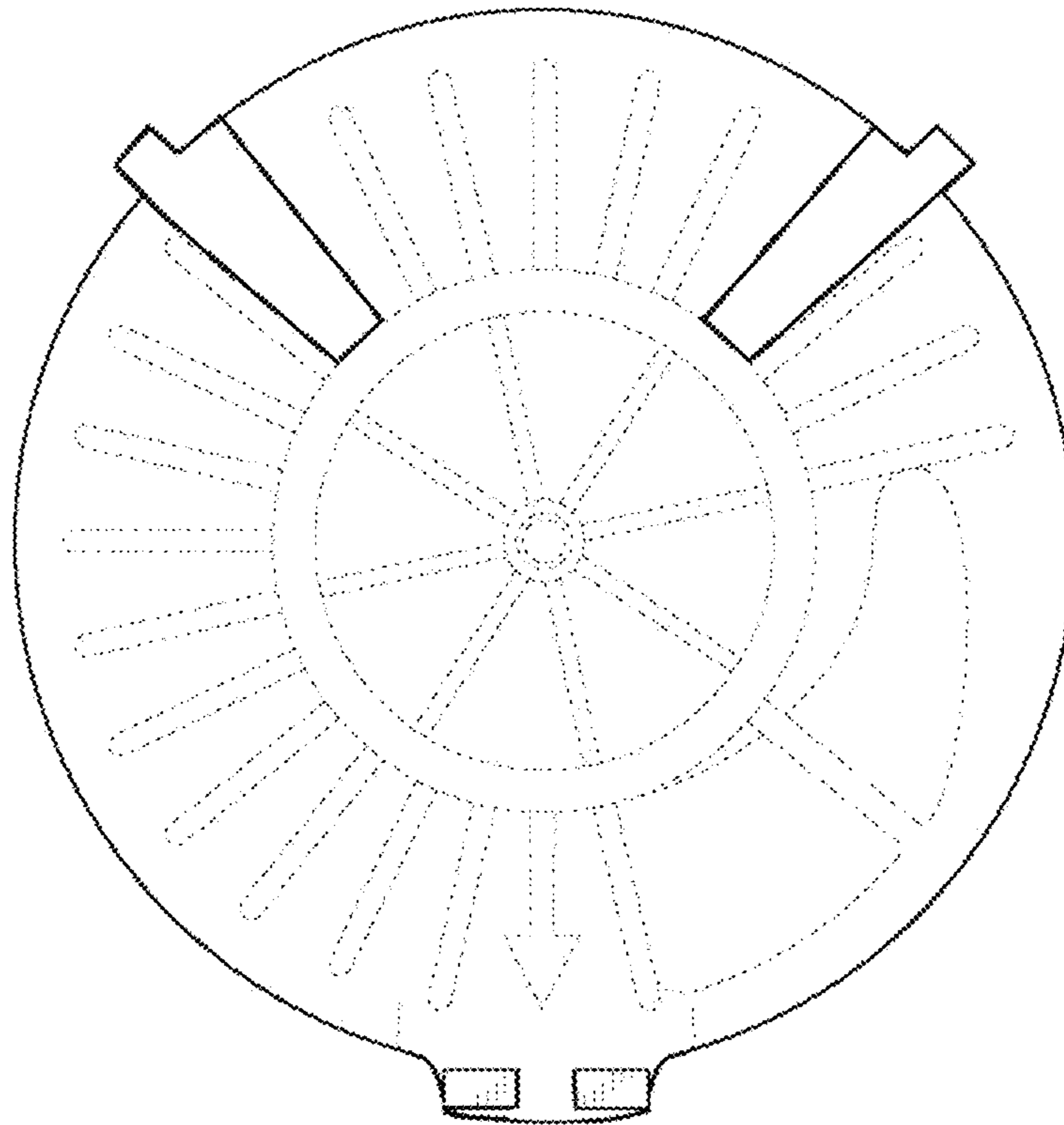


Fig. 6

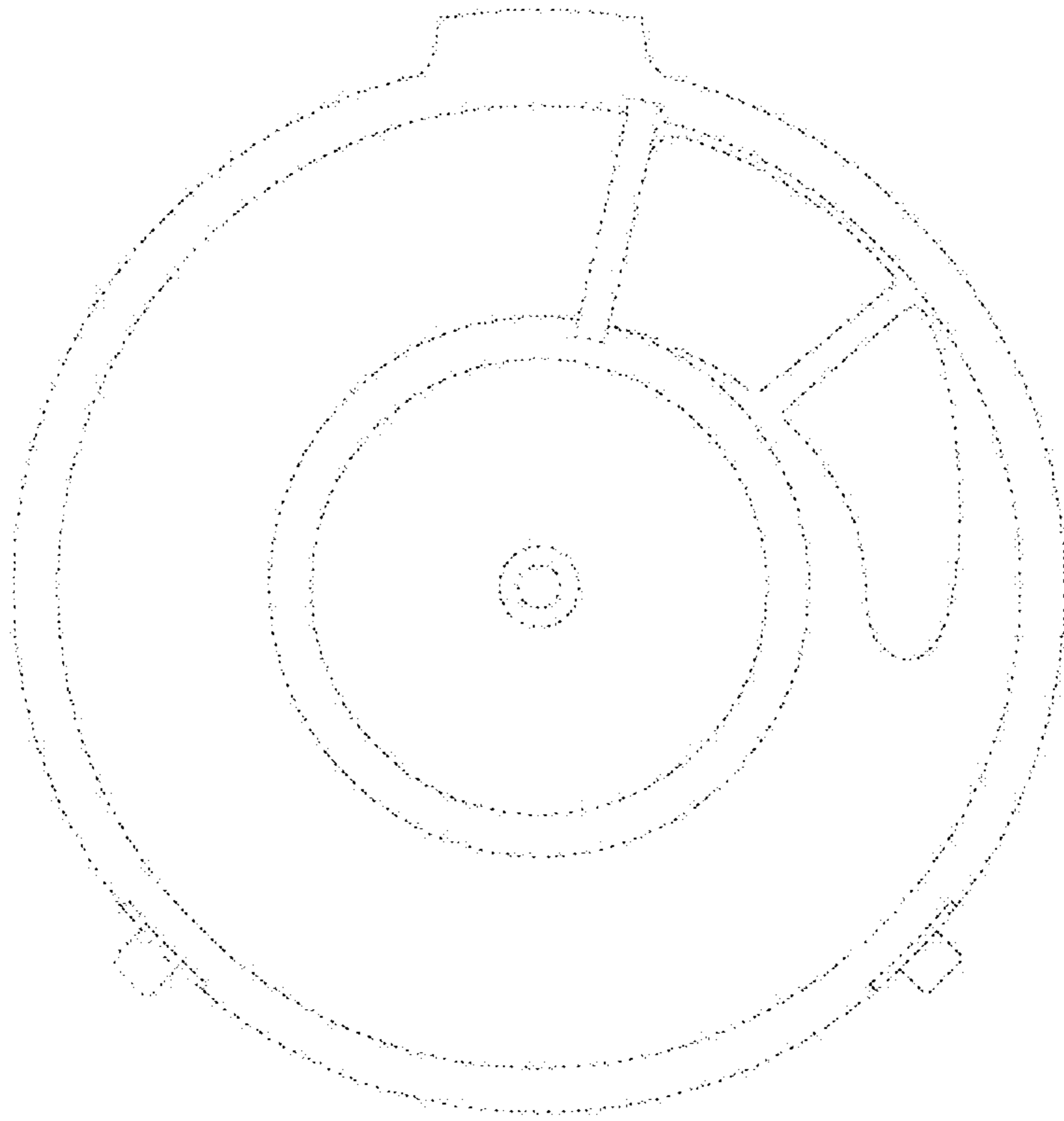


Fig. 7

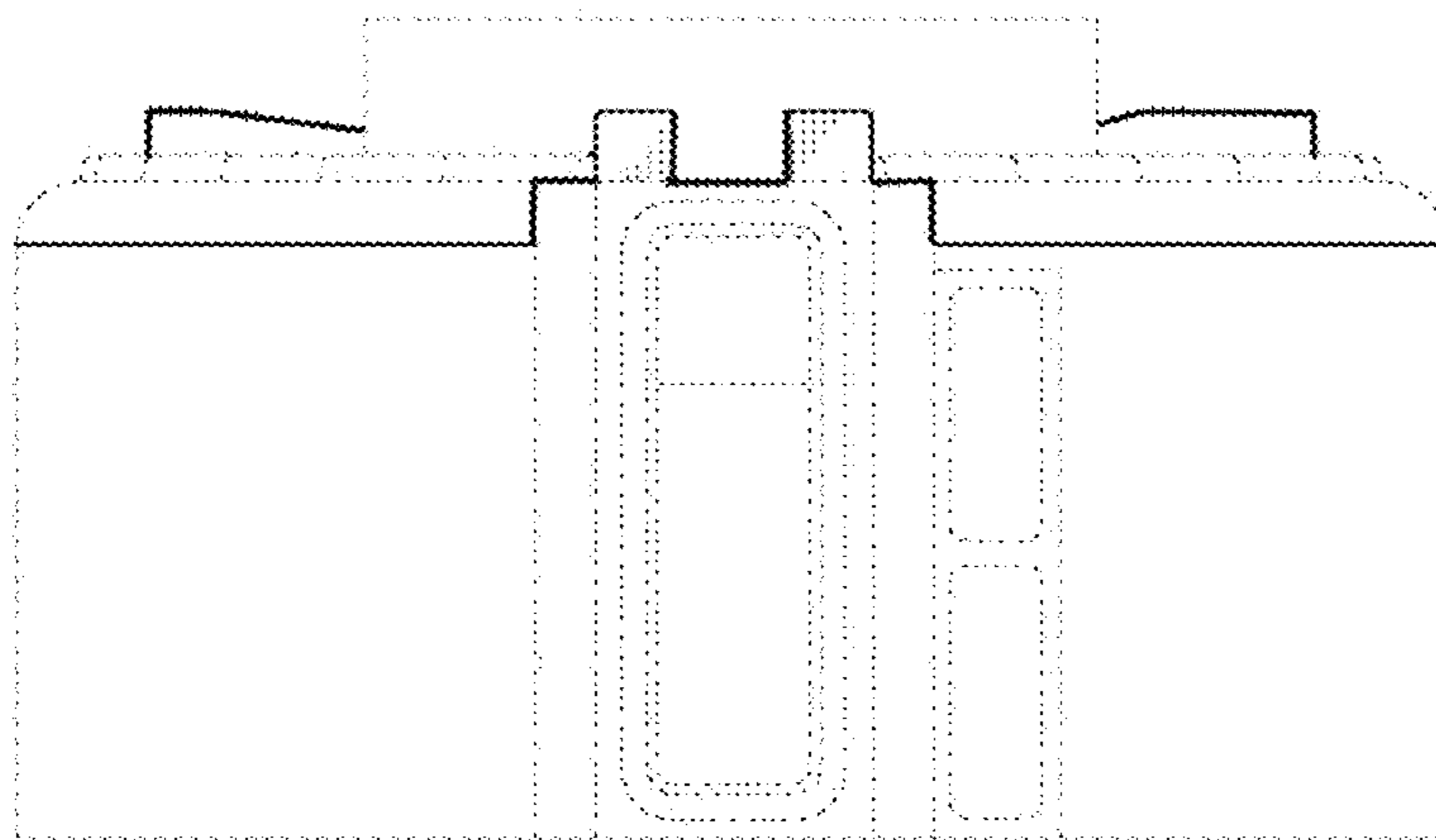


Fig. 8

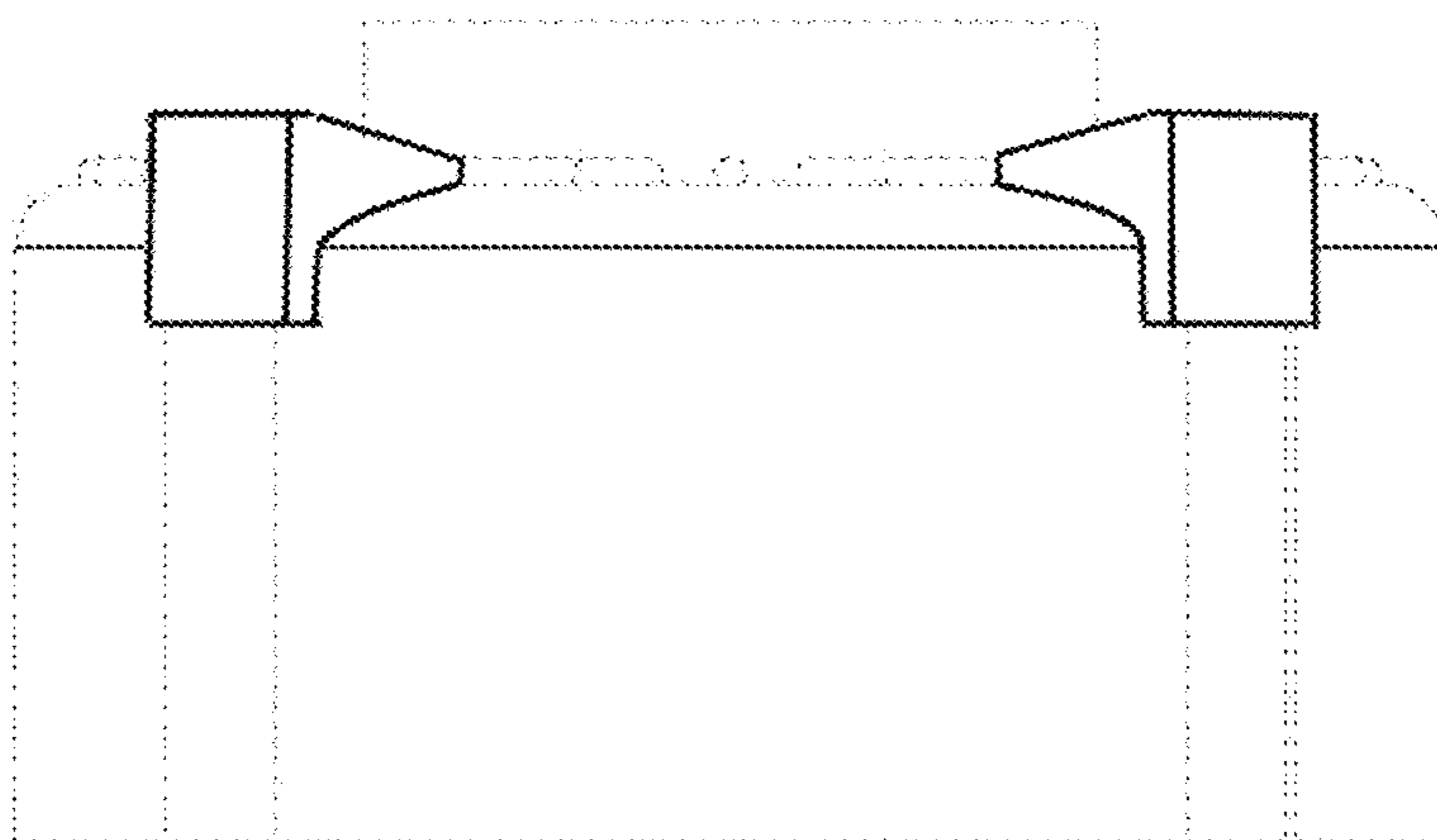


Fig. 9

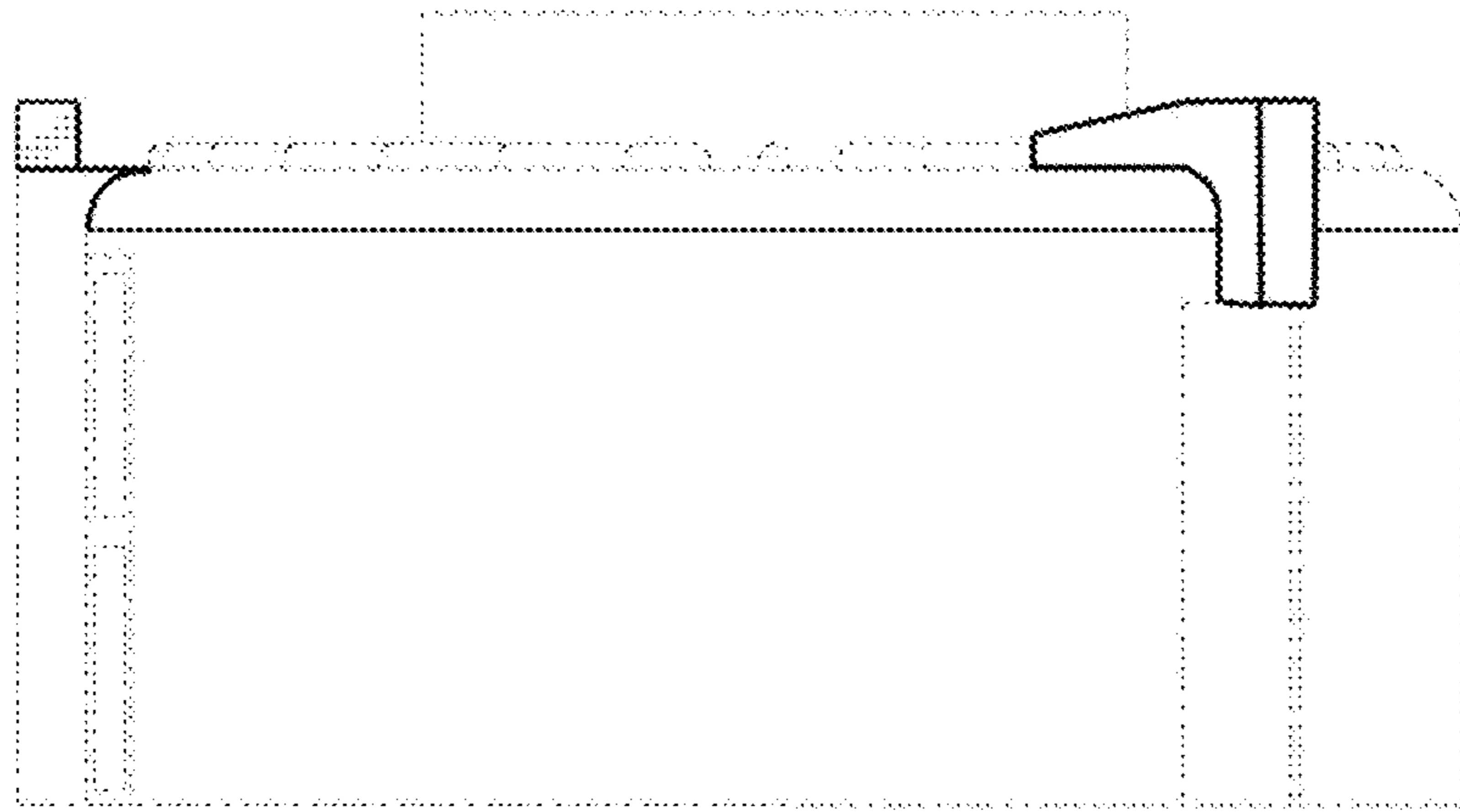


Fig. 10

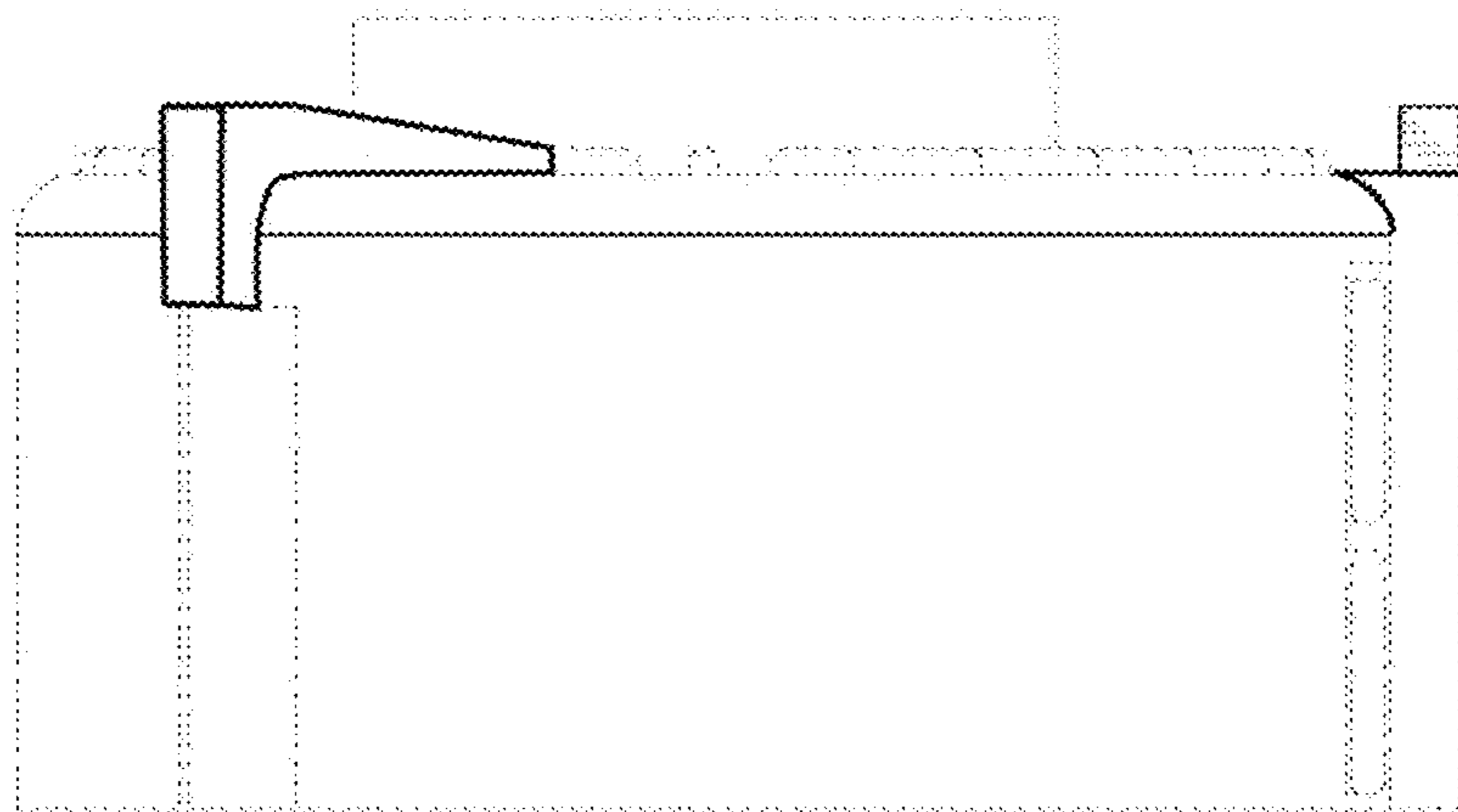


Fig. 11