



US00D814950S

(12) **United States Design Patent**
Inskeep

(10) **Patent No.:** **US D814,950 S**
(45) **Date of Patent:** **** Apr. 10, 2018**

(54) **LASER PARKING GUIDE**

(71) Applicant: **Mathew Inskeep**, Highland Beach, FL
(US)

(72) Inventor: **Mathew Inskeep**, Highland Beach, FL
(US)

(**) Term: **15 Years**

(21) Appl. No.: **29/591,085**

(22) Filed: **Jan. 17, 2017**

(51) **LOC (11) Cl.** **10-04**

(52) **U.S. Cl.**

USPC **D10/70**

(58) **Field of Classification Search**

USPC D10/65, 70

CPC B60Q 9/004; B60Q 9/005; B60Q 9/006;
B60Q 9/007; B60Q 9/008; G08G 1/14;
G08G 1/141; G08G 1/142; G08G 1/143;
G08G 1/144; G08G 1/145; G08G 1/146;
G08G 1/147; G08G 1/148; G08G 1/149

See application file for complete search history.

(56) **References Cited**

U.S. PATENT DOCUMENTS

D745,422 S * 12/2015 Lanini D10/70

* cited by examiner

Primary Examiner — Antoine Duval Davis

(57) **CLAIM**

I claim the ornamental design for a laser parking guide, as shown and described.

DESCRIPTION

FIG. 1 is a top perspective view of the laser parking guide showing my new design.

FIG. 2 is a bottom perspective view thereof with lasers unhinged.

FIG. 3 is a back facing, bottom perspective view thereof.

FIG. 4 is a top view thereof.

FIG. 5 is a bottom view thereof.

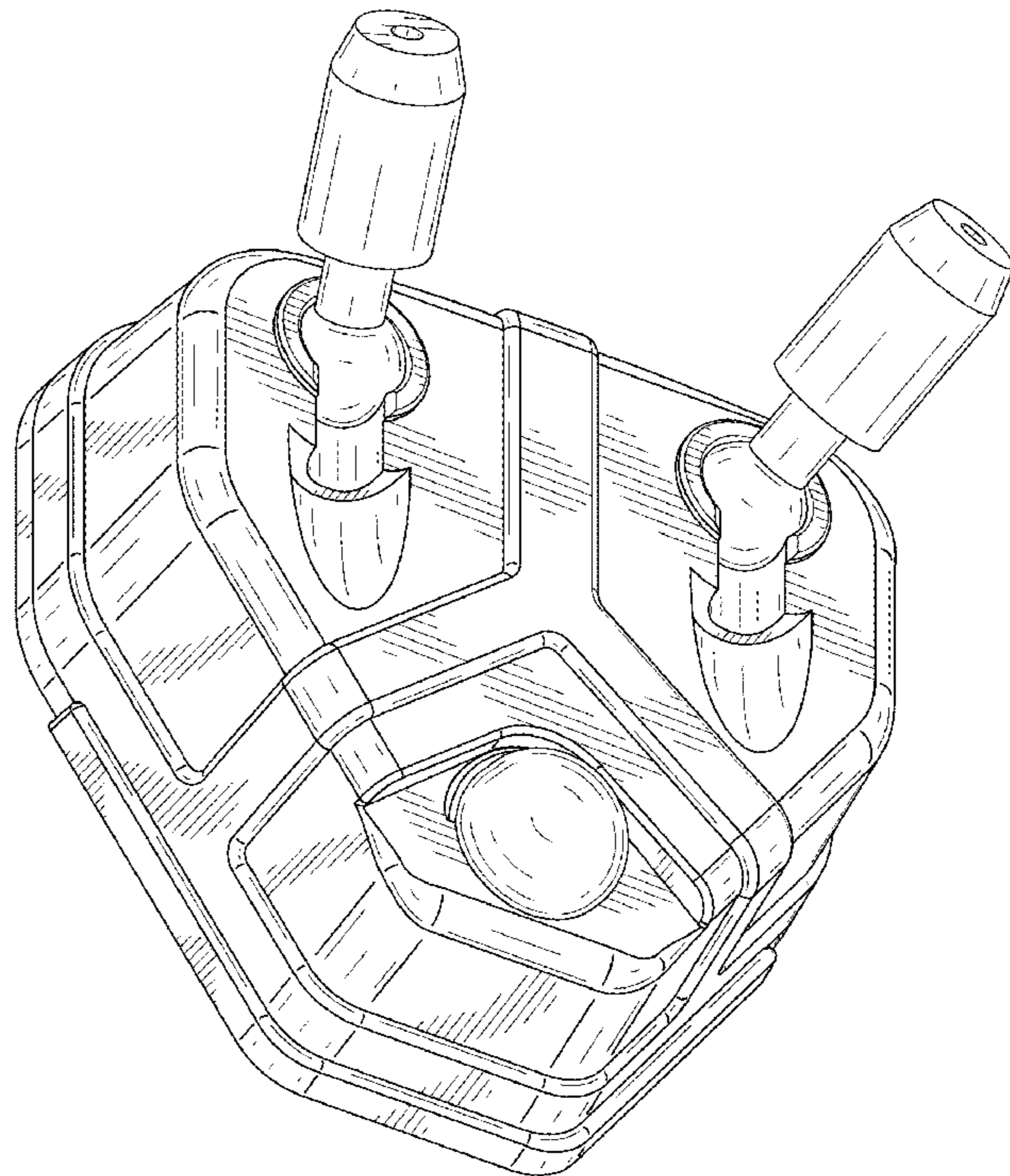
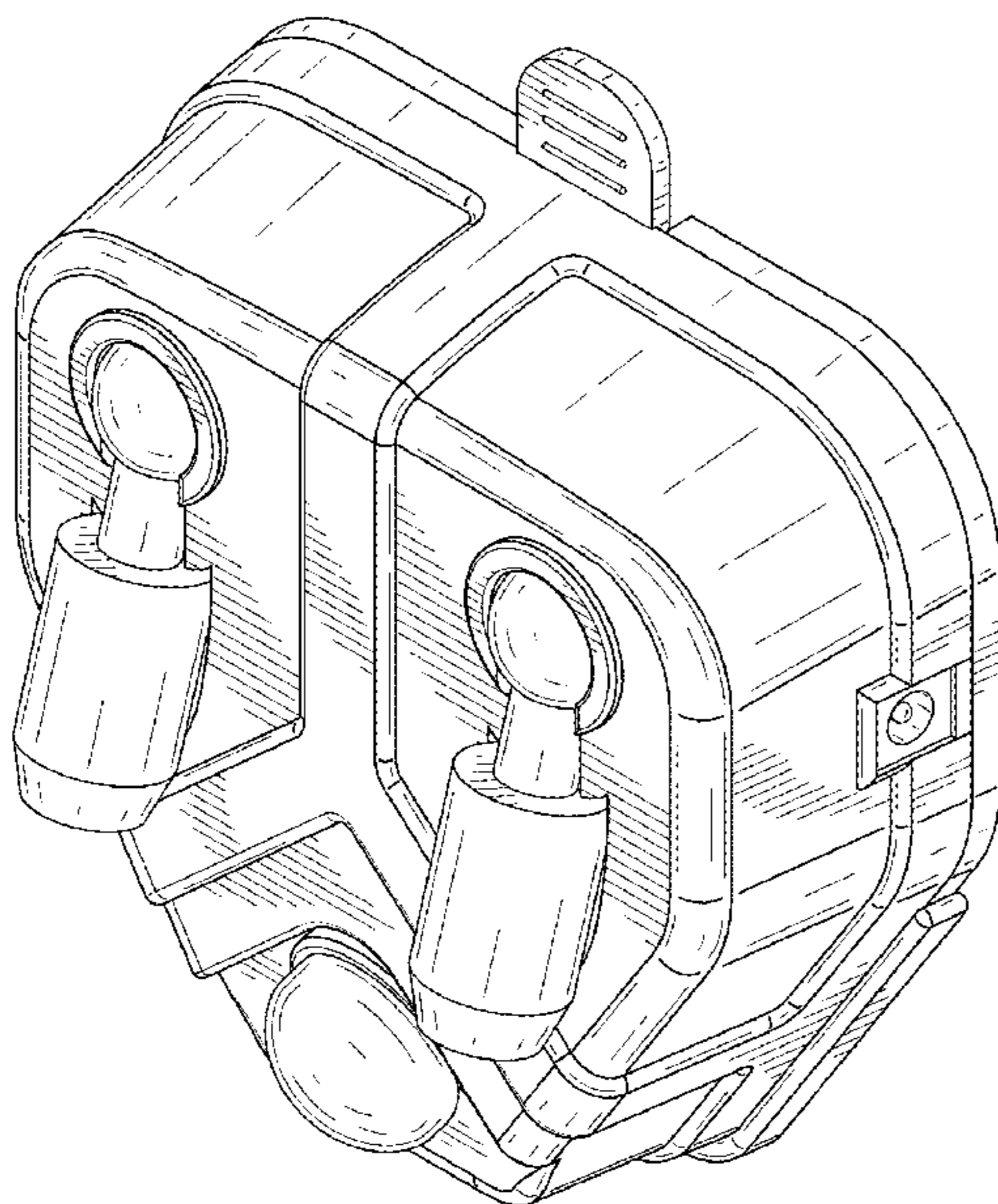
FIG. 6 is a left side view thereof with left laser unhinged.

FIG. 7 is a right side view thereof.

FIG. 8 is front view thereof with left laser unhinged; and,

FIG. 9 is a back view thereof.

1 Claim, 7 Drawing Sheets



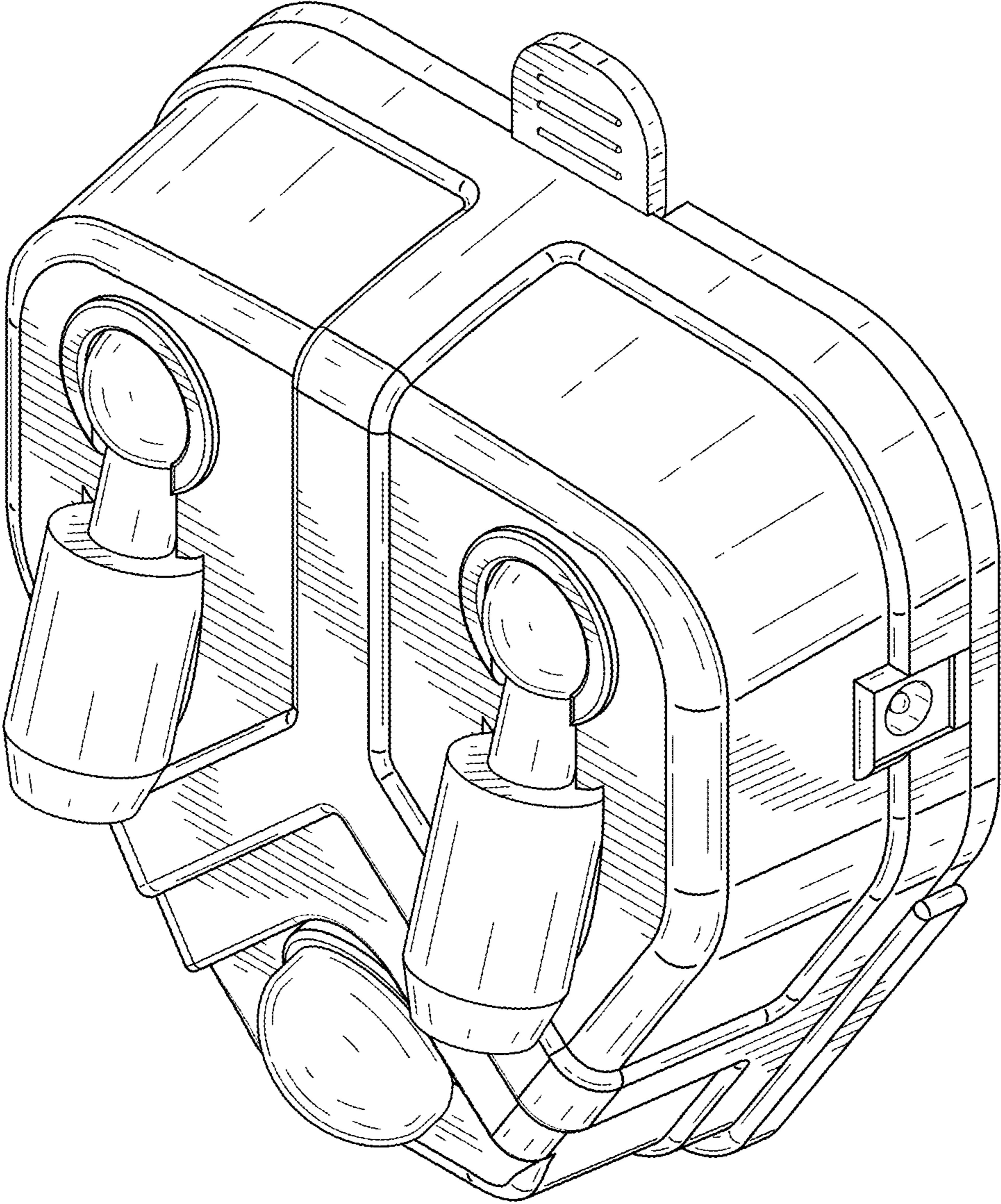


FIG. 1

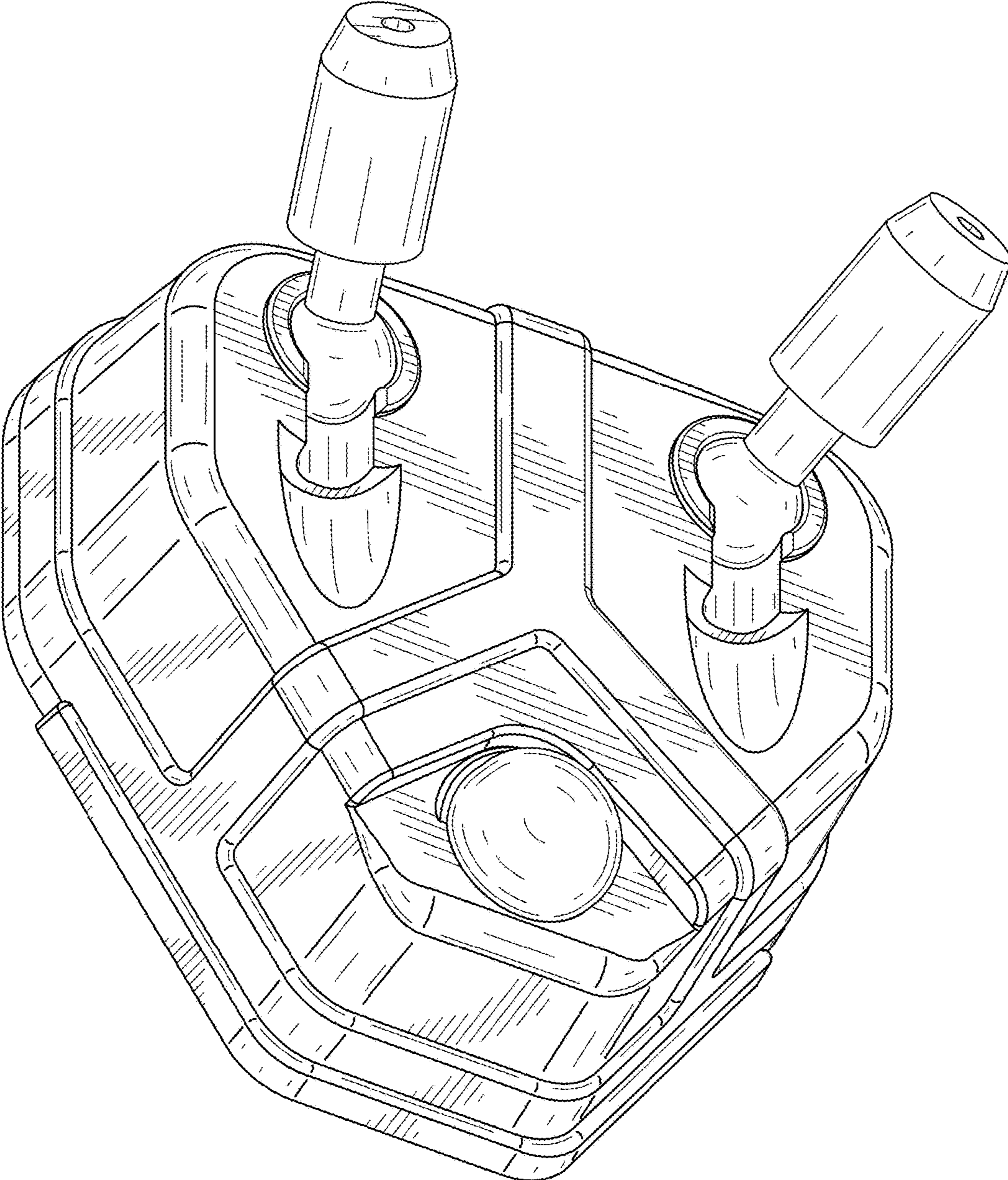


FIG. 2

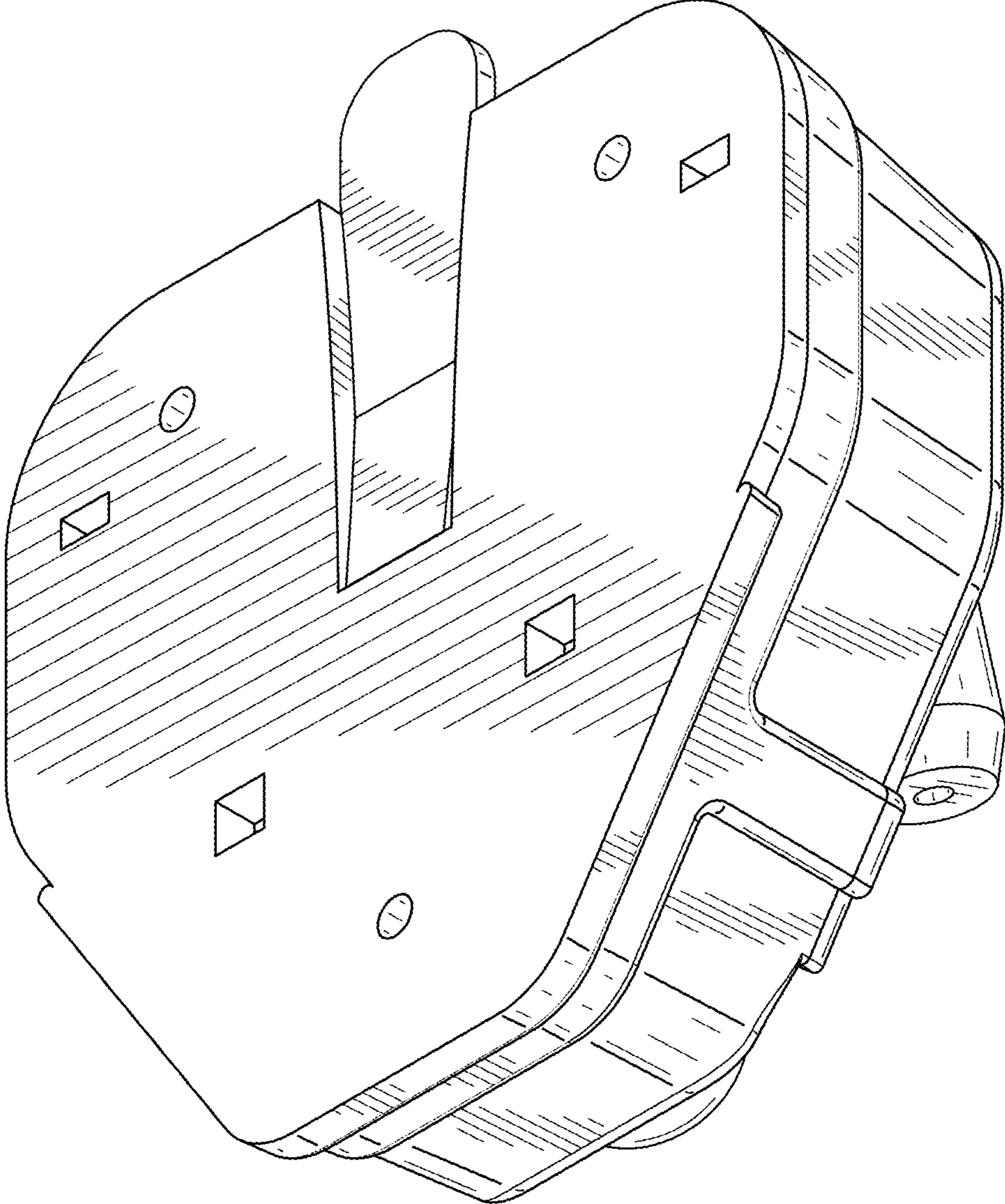


FIG. 3

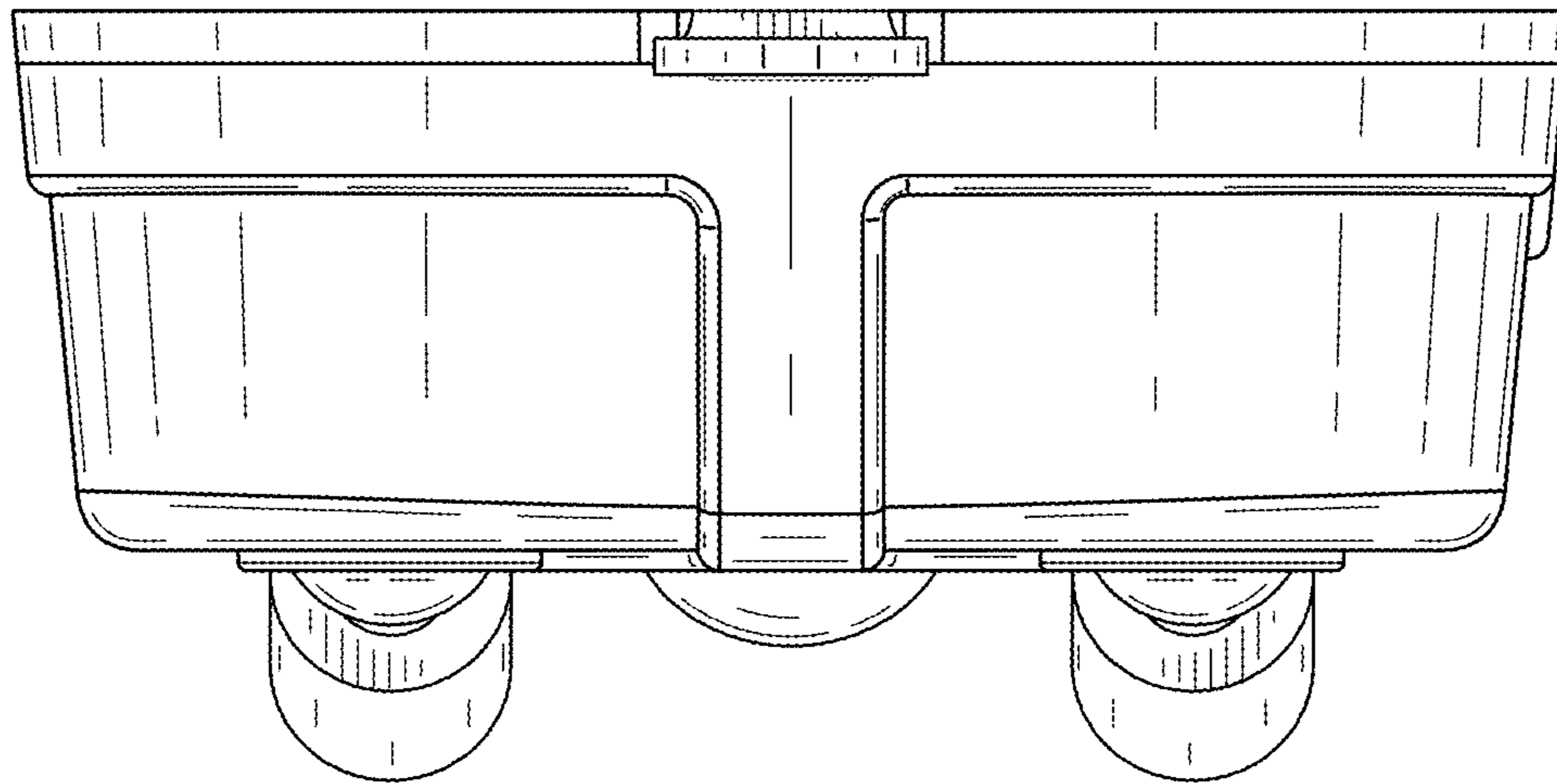


FIG. 4

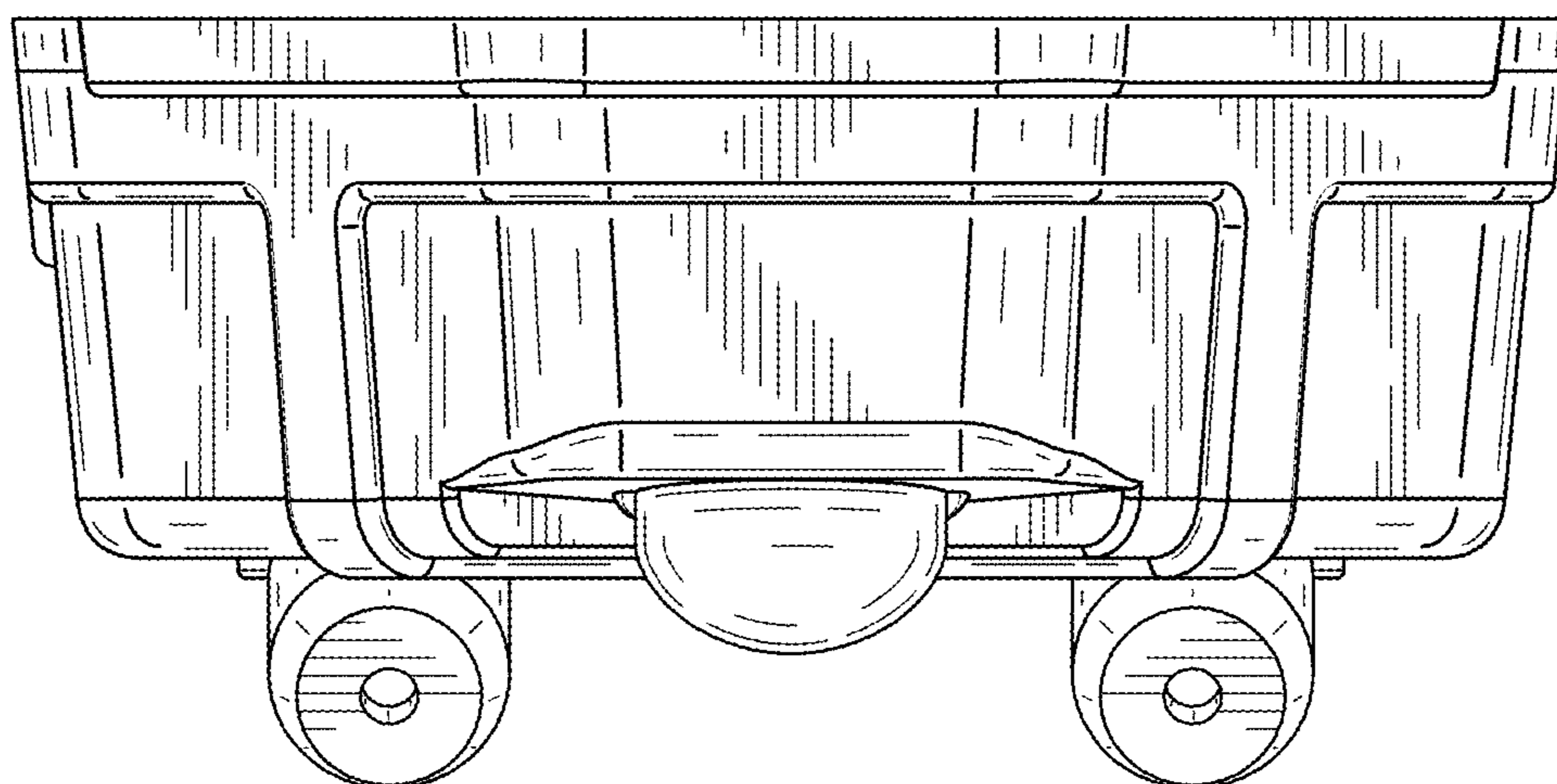


FIG. 5

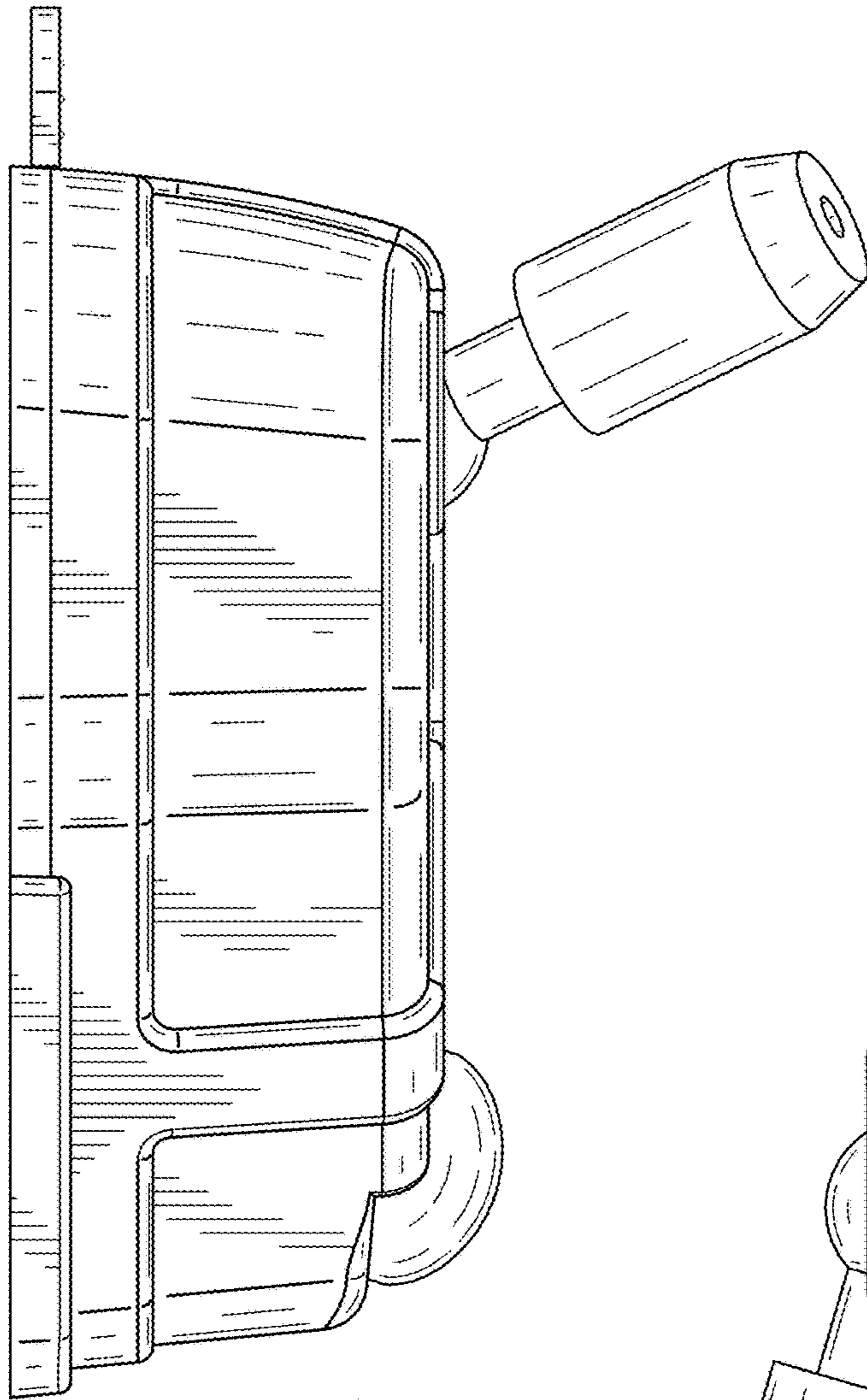


FIG. 6

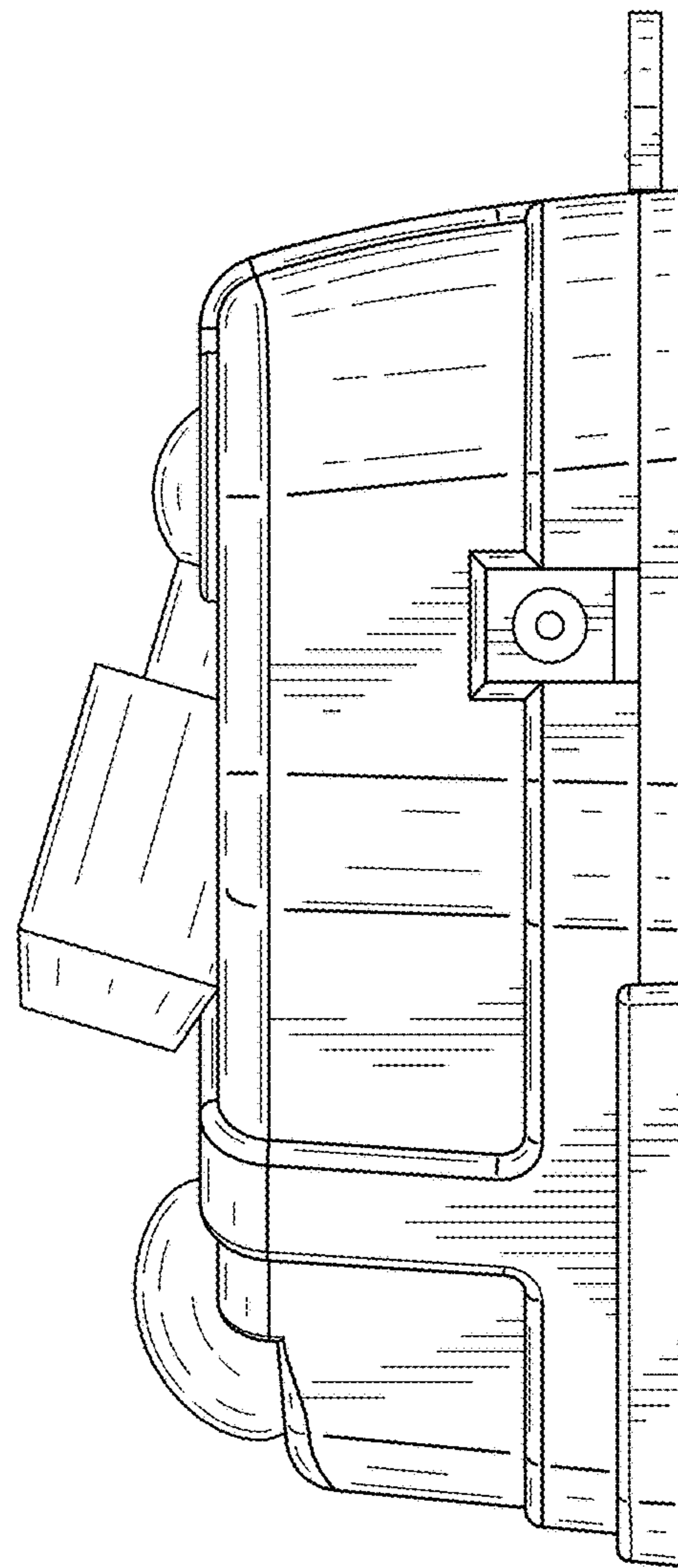


FIG. 7

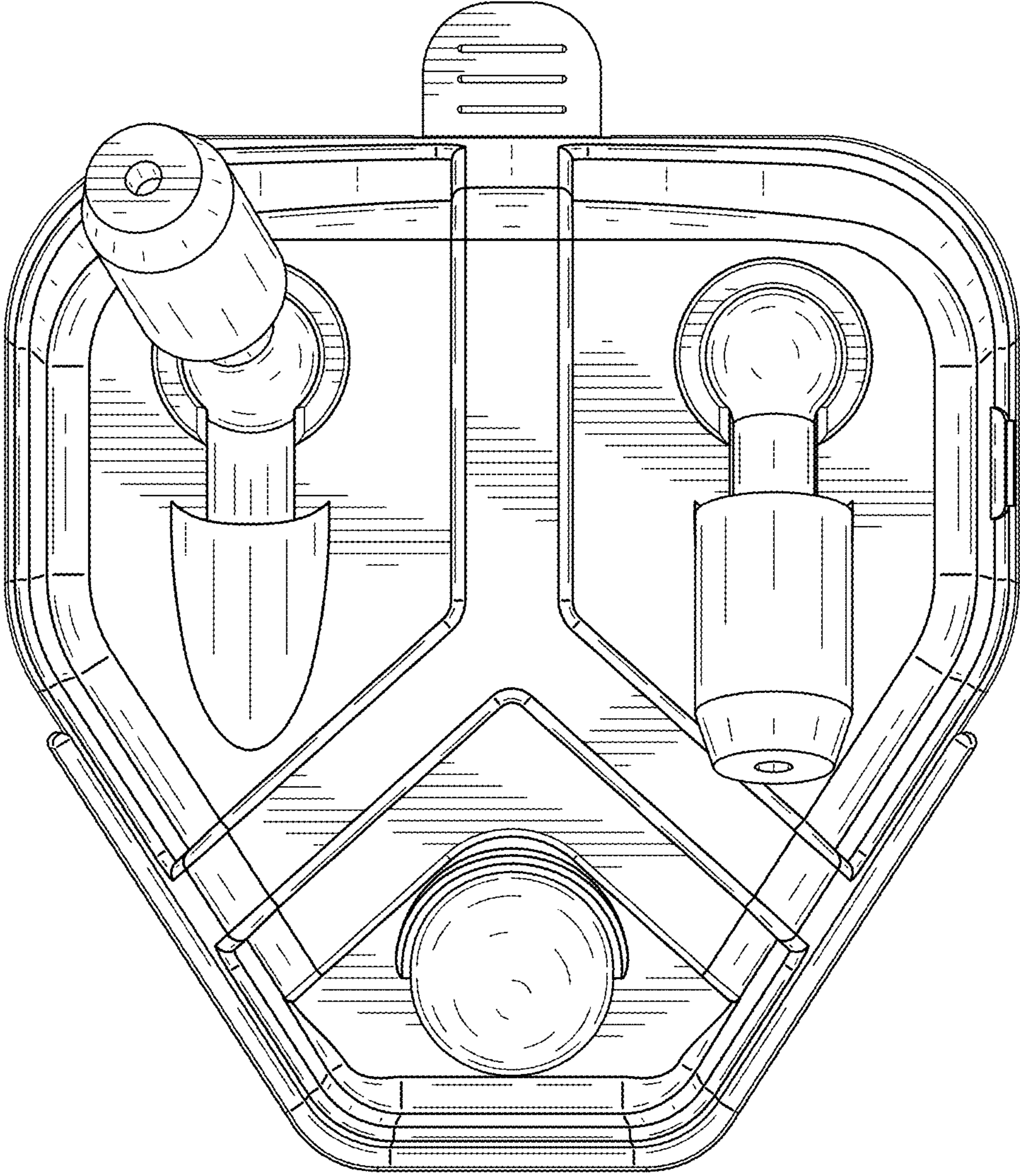


FIG. 8

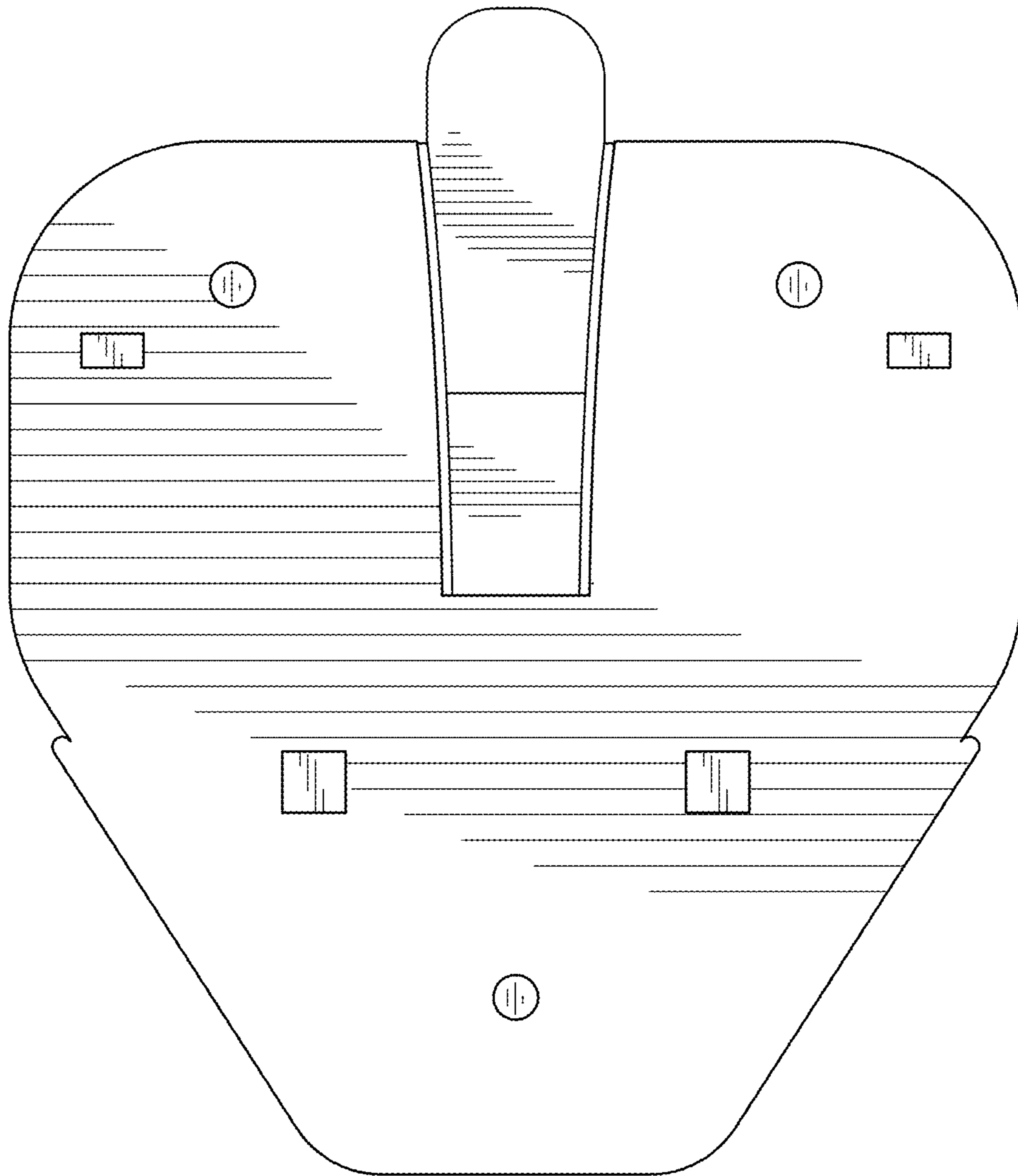


FIG. 9