



US00D814948S

(12) **United States Design Patent**  
**Bodum**

(10) **Patent No.:** **US D814,948 S**  
(45) **Date of Patent:** **\*\* Apr. 10, 2018**

(54) **TIMER**  
(71) Applicant: **PI-Design AG**, Triengen (CH)  
(72) Inventor: **Jorgen Bodum**, Meggen (CH)  
(73) Assignee: **Pi-Design AG**, Triengen (CH)  
(\*\*) Term: **15 Years**

D190,749 S \* 6/1961 Marti ..... D10/1  
D242,434 S \* 11/1976 Knowles ..... D10/10  
D309,717 S \* 8/1990 Azman ..... D10/6  
D312,408 S \* 11/1990 Isobe ..... D10/15  
D333,099 S \* 2/1993 Hiromori ..... D10/15  
D460,362 S \* 7/2002 Kalman ..... D10/1  
D467,817 S \* 12/2002 Hsu ..... D10/1  
D468,216 S \* 1/2003 Hsu ..... D10/15  
D475,930 S \* 6/2003 Chang ..... D10/1  
D475,932 S \* 6/2003 Li ..... D10/12

(Continued)

(21) Appl. No.: **29/577,031**

(22) Filed: **Sep. 8, 2016**

(30) **Foreign Application Priority Data**

Mar. 9, 2016 (EM) ..... DM/089743

(51) **LOC (11) Cl.** ..... **10-03**

(52) **U.S. Cl.**  
USPC ..... **D10/40**

(58) **Field of Classification Search**

USPC ..... D10/1-11, 14-15, 17-29, 40-41, 44,  
D10/46.1, 46.2, 48-53, 56-57, 122-132;  
D20/10-11, 20, 21, 28-29, 42, 99;  
D14/344, 170-171, 490, 492; D5/30;  
D11/116, 132-133, 157; D21/531  
CPC ... G04F 1/00; G04F 1/06; G04F 1/063; G04F  
7/06; G04F 7/08; G04B 19/06; A63F  
3/0423; A63F 3/00643; A63F 13/211;  
A63F 13/213; A63F 13/2145; A63F  
13/215; A63F 13/216; A63F 13/335;  
A63F 13/35; A63F 13/537; A63F 13/57;  
A63F 13/58; A63F 13/79; A63F 13/80;  
A63F 13/98; A63F 1/04; A63F  
2003/00813; A63F 2003/00996; A63F  
2003/0428; A63F 9/0098; A63B 71/0619;  
A63B 71/0686

See application file for complete search history.

(56) **References Cited**

**U.S. PATENT DOCUMENTS**

D114,121 S \* 4/1939 Klein ..... D10/15  
D145,576 S \* 9/1946 Hallward ..... D10/22

**OTHER PUBLICATIONS**

Carlo Nason Moodbase Table Lamp for Mazzega | posted at vntg.com No posting date given; Vintage 1970s design [online][site visited Sep. 8, 2017]. Available from Internet: <<https://www.vntg.com/61918/carlo-nason-moonbase-lt357-table-lamp-for-mazzega/>>.\*

(Continued)

*Primary Examiner* — Sandra S Snapp  
*Assistant Examiner* — Katherine Glennon  
(74) *Attorney, Agent, or Firm* — McDonnell Boehnen Hulbert & Berghoff LLP

(57) **CLAIM**

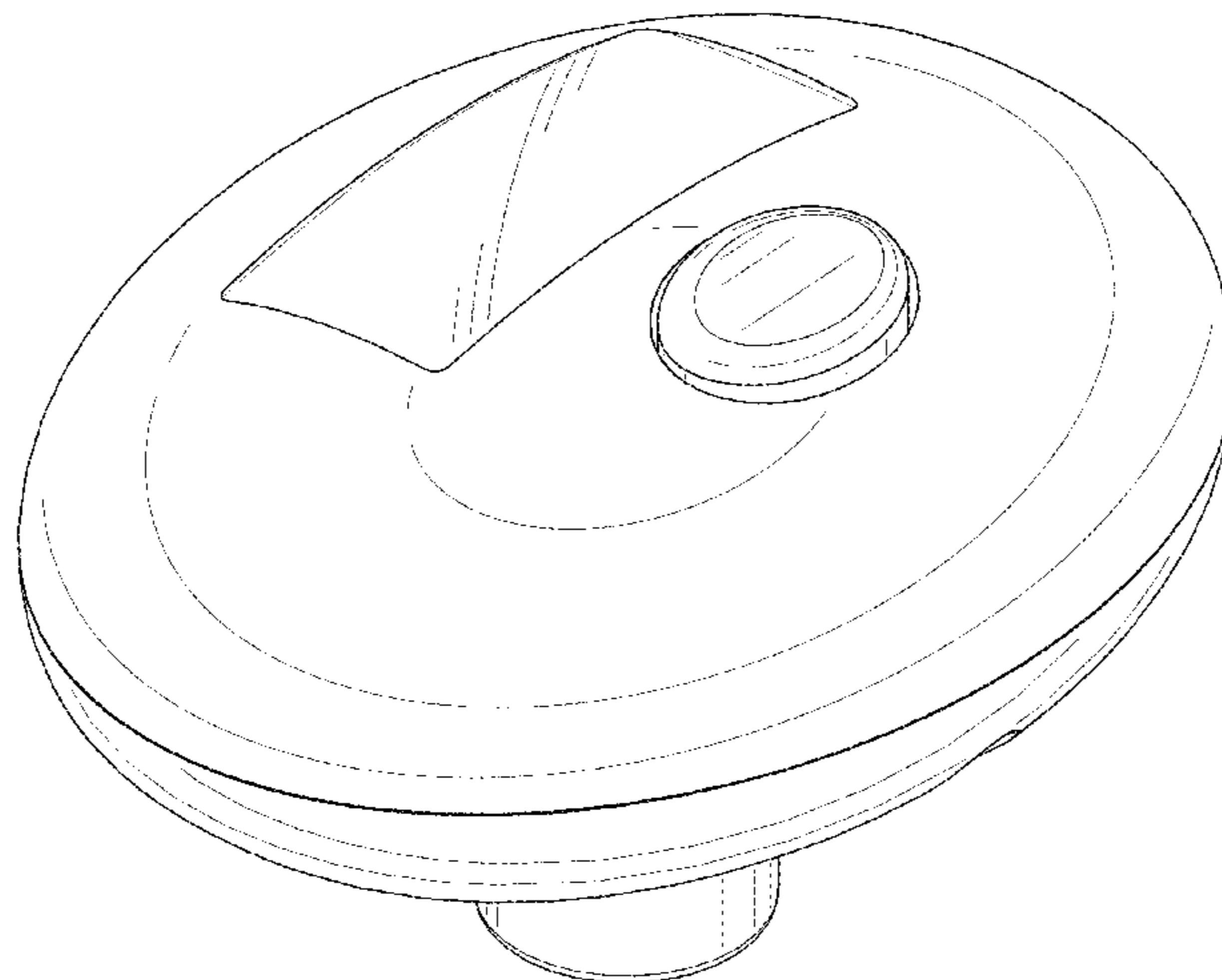
The ornamental design for a timer, as shown and described.

**DESCRIPTION**

FIG. 1 is an embodiment of a timer in a perspective view; FIG. 2 is a front view thereof; FIG. 3 is a rear view thereof; FIG. 4 is a left side view thereof; FIG. 5 is a right side view thereof; FIG. 6 is a top view thereof; and, FIG. 7 is a bottom view thereof.

The broken lines illustrate portions of the timer that form no part of the claimed design.

**1 Claim, 7 Drawing Sheets**



(56)

**References Cited**

## U.S. PATENT DOCUMENTS

D476,240	S	*	6/2003	Kuramochi	.....	D10/40
D485,193	S	*	1/2004	Chan	.....	D10/18
D485,498	S	*	1/2004	Tong	.....	D10/15
D558,069	S	*	12/2007	Bodum	.....	D10/40
D567,673	S	*	4/2008	Chu	.....	D10/15
D594,766	S	*	6/2009	Oney	.....	D10/40
D596,506	S	*	7/2009	Fernie	.....	D10/1
D607,690	S	*	1/2010	Bodum	.....	D7/376
D615,421	S	*	5/2010	Bedol	.....	D10/1
D625,205	S	*	10/2010	Schermuly	.....	D10/44
D628,907	S	*	12/2010	Bedol	.....	D10/1
D640,142	S	*	6/2011	Bedol	.....	D10/15
D647,502	S	*	10/2011	Holzer	.....	D14/168
D672,256	S	*	12/2012	Behar	.....	D10/39
D756,326	S	*	5/2016	Holzer	.....	D14/171
D793,869	S	*	8/2017	Jeon	.....	D10/2

## OTHER PUBLICATIONS

Normann Copenhagen Danish Modern Digital 99 Minute Kitchen Timer | posted at desertcart.ae No posting date given Copyright © 2017 Desertcart [online][site visited Sep. 8, 2017]. Available from Internet: <<https://www.desertcart.ae/products/12201527-normann-copenhagen-danish-modern-digital-99-minute-kitchen-timer-black>>.\*

\* cited by examiner

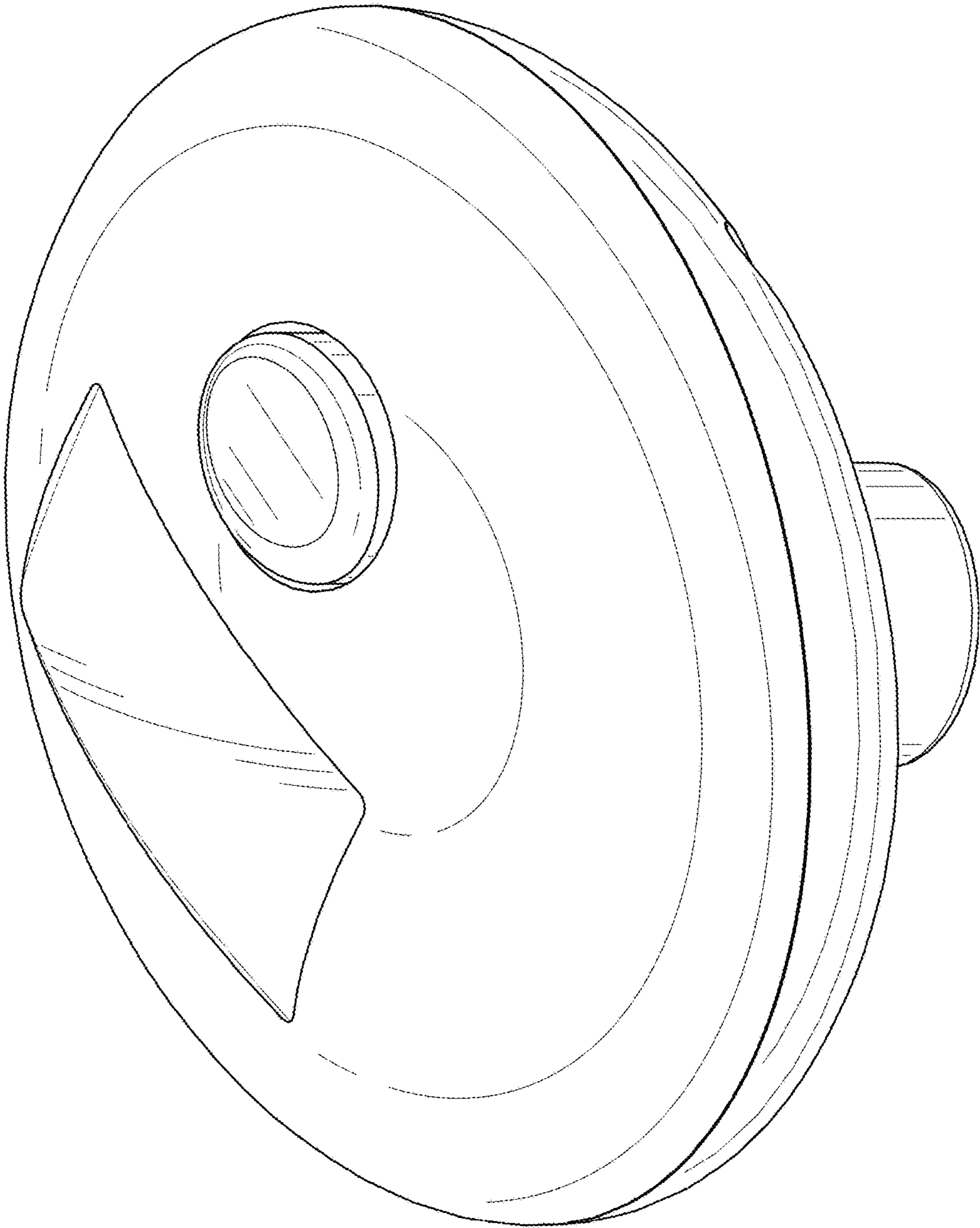


FIG. 1

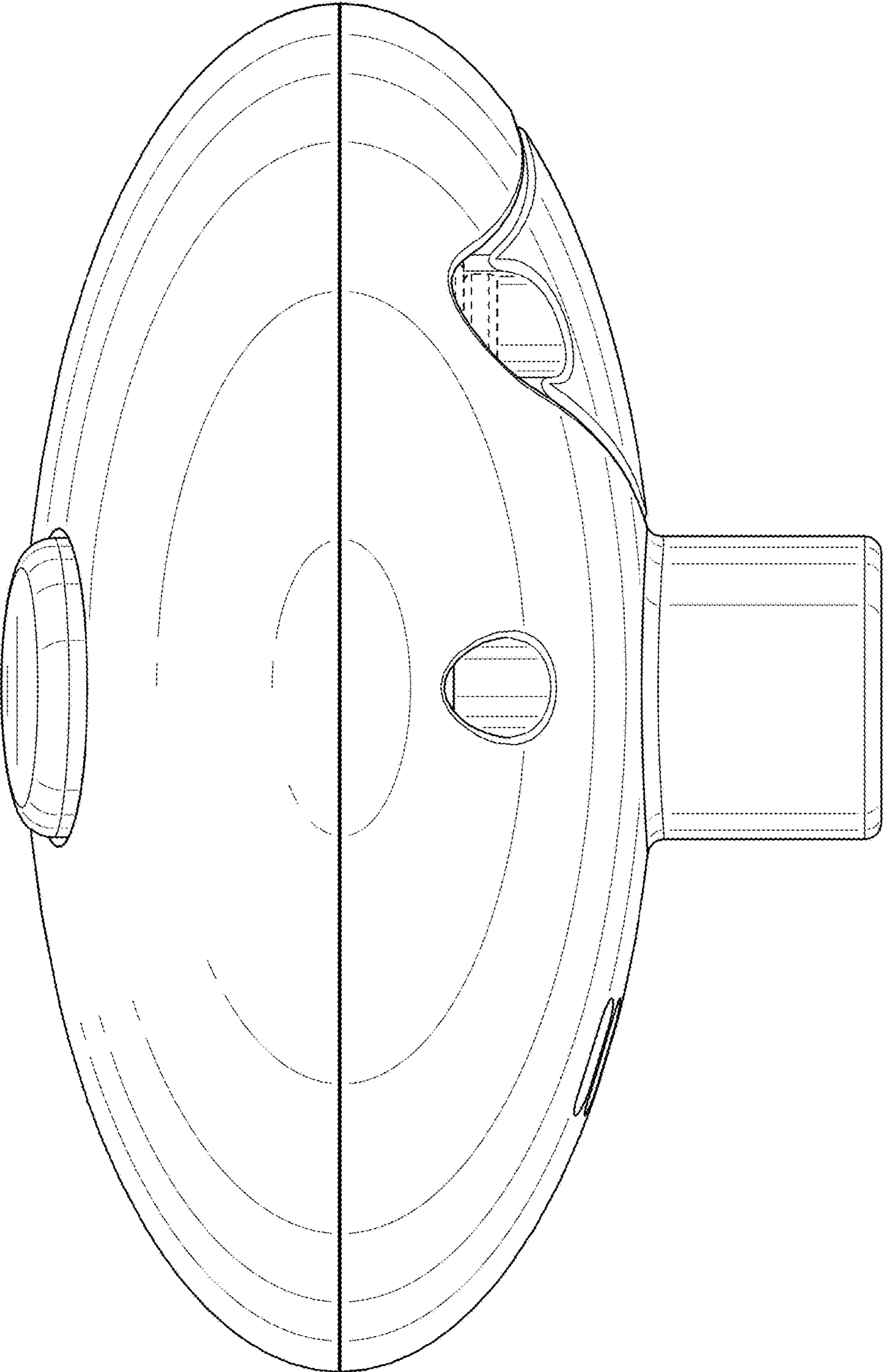


FIG. 2



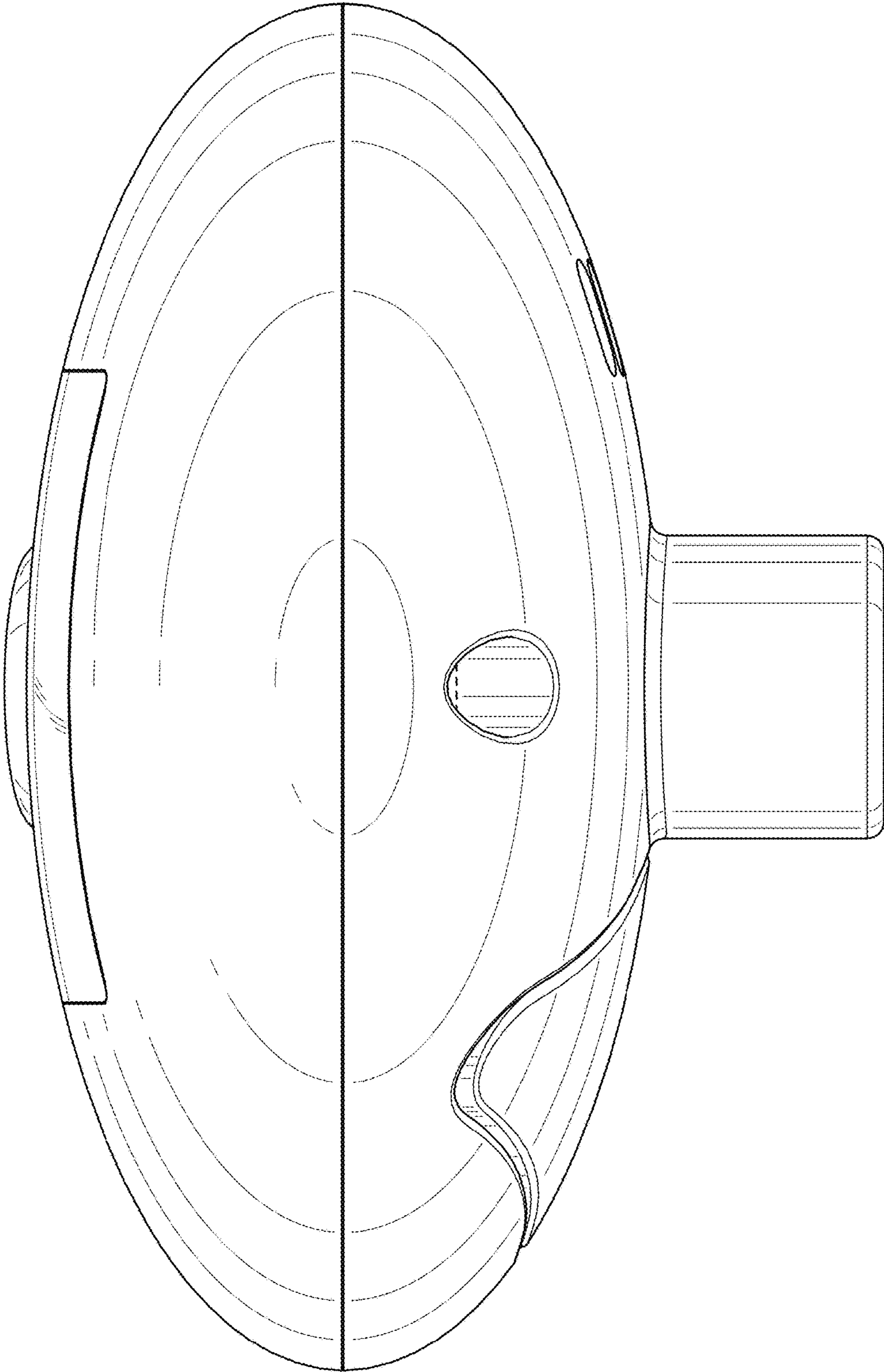


FIG. 3

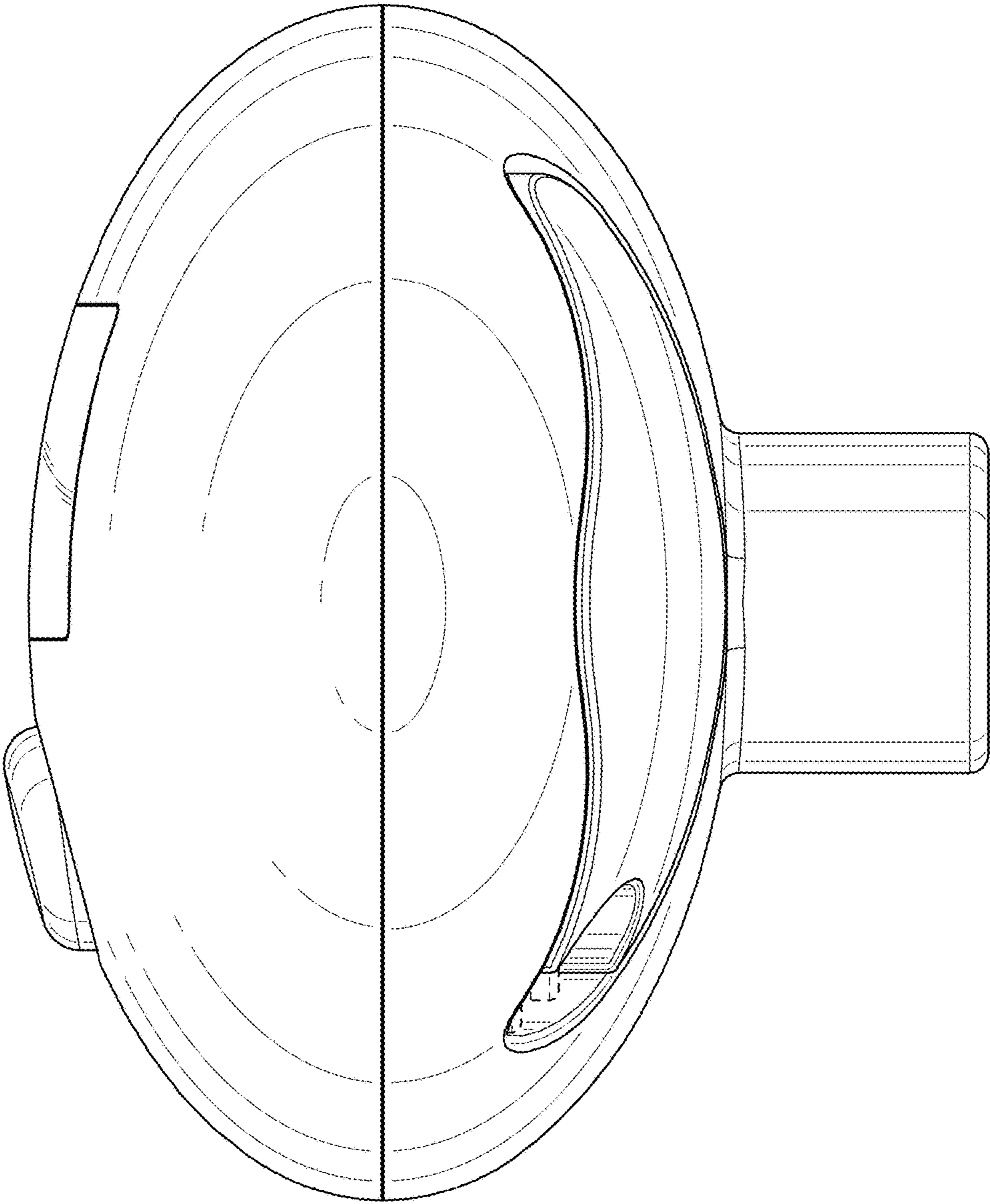


FIG. 4

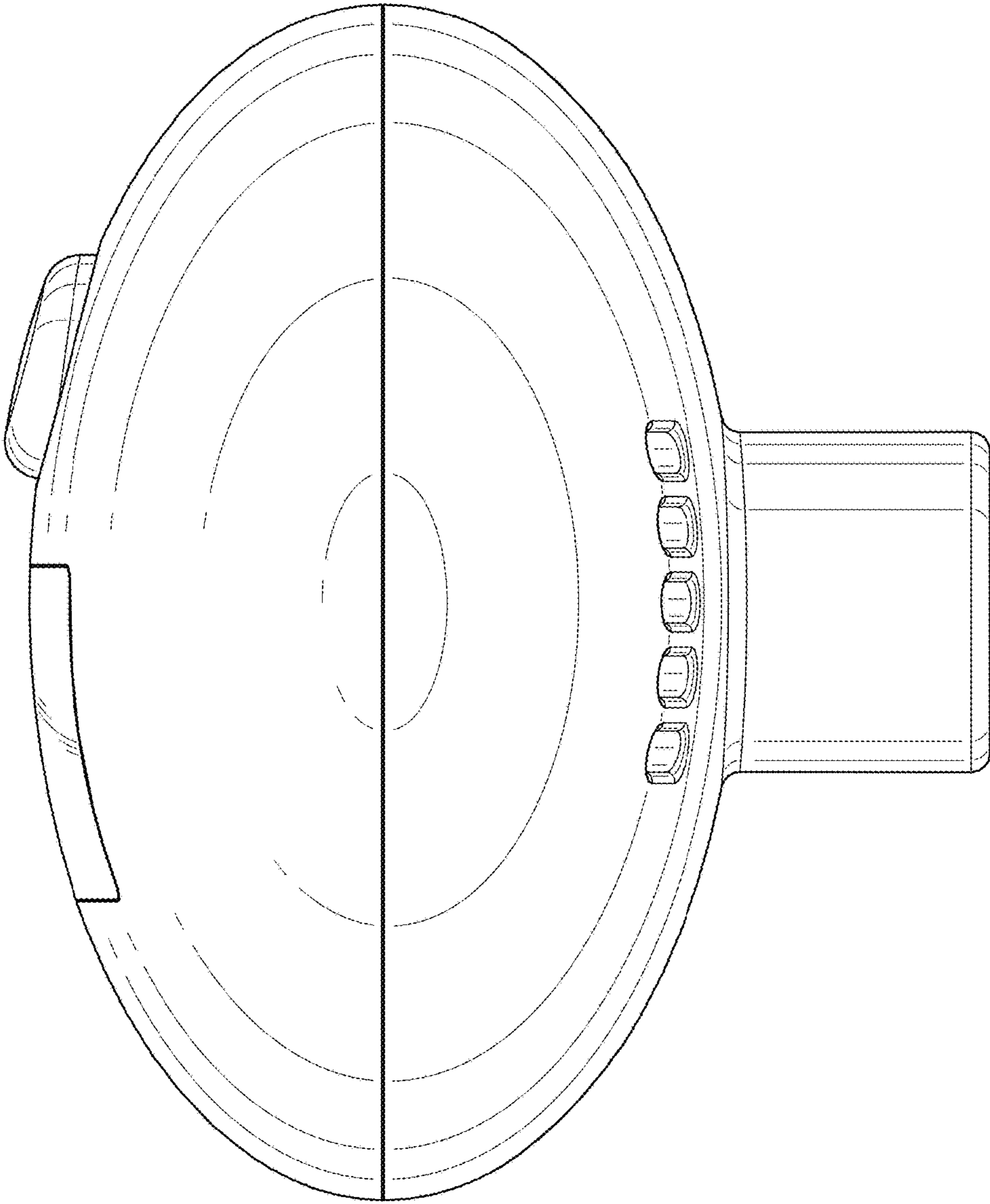


FIG. 5

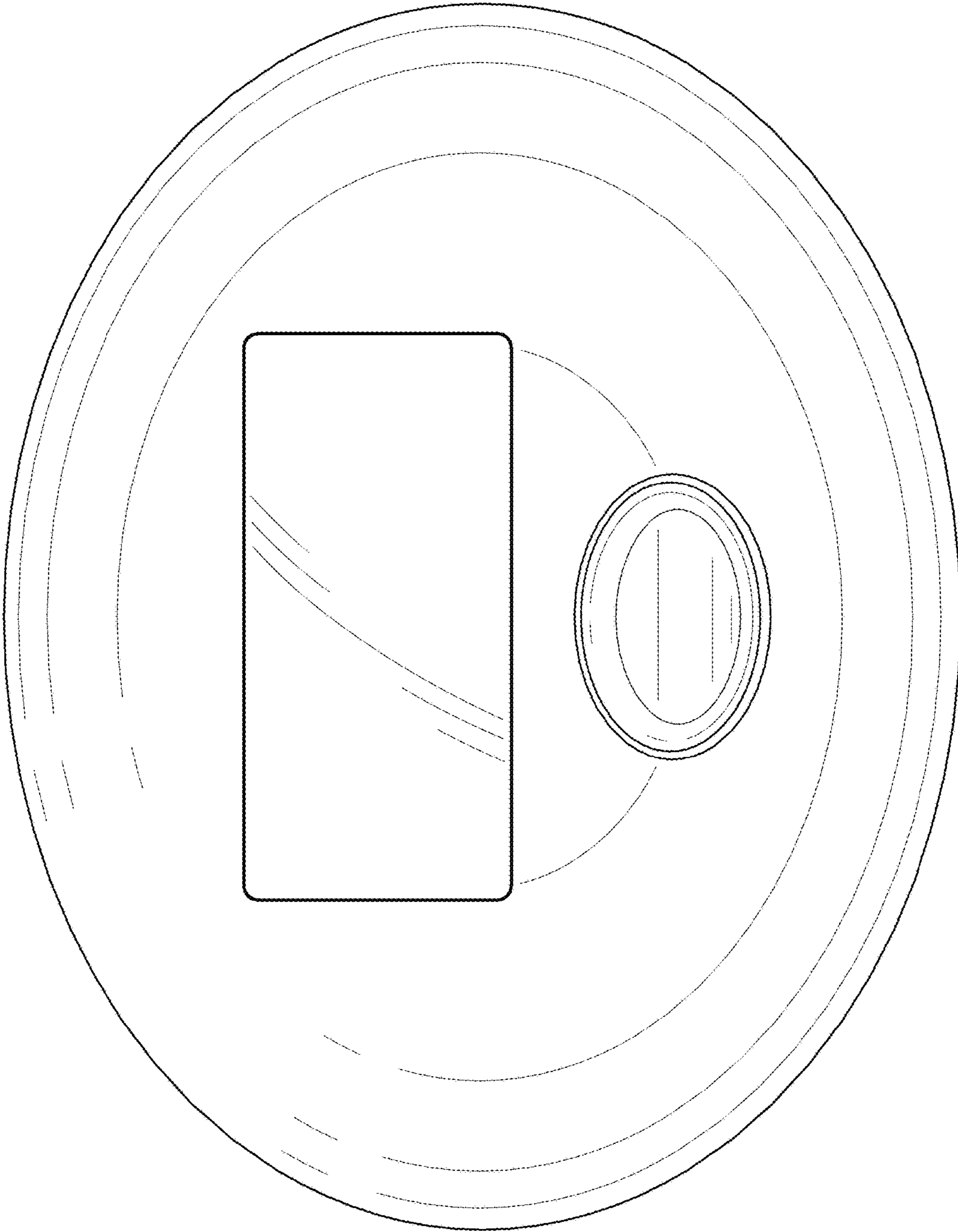


FIG. 6



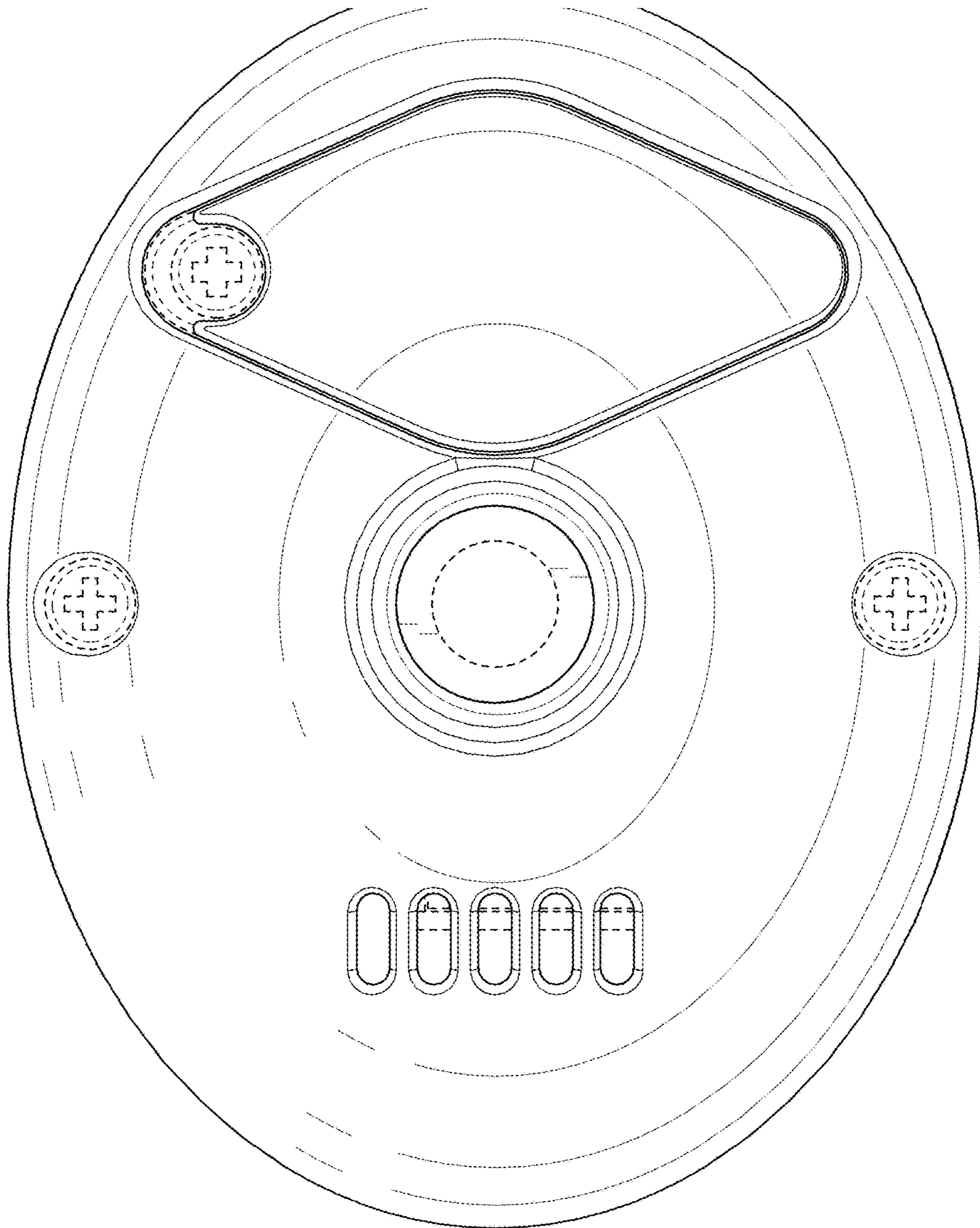


FIG. 7