



US00D814947S

(12) **United States Design Patent** (10) **Patent No.:** **US D814,947 S**
Emmenegger (45) **Date of Patent:** **** Apr. 10, 2018**

(54) **WATCH**

17/0058; G04C 17/0066; G04C 17/0075;
G04C 17/0083; G04C 17/0091; G04C
19/00; G04C 19/04

(71) Applicant: **Audemars Piguet (Marketing) SA**, Le
Brassus (CH)

See application file for complete search history.

(72) Inventor: **Claude Emmenegger**, La
Chaux-de-Fonds (CH)

(56) **References Cited**

(73) Assignee: **Audemars Piguet (Marketing) SA**
(CH)

U.S. PATENT DOCUMENTS

(**) Term: **15 Years**

D73,606 S *	10/1927	Gruen	D10/37
D77,697 S *	2/1929	Leibowitz	D10/37
D340,872 S *	11/1993	Schwarz	D10/126
D418,427 S *	1/2000	Fichter	D10/30
D430,809 S *	9/2000	Polenberg	D10/30
D474,118 S *	5/2003	Monachon	D10/32
D479,135 S *	9/2003	Emmenegger	D10/30
D521,395 S *	5/2006	Slimane	D10/32
D568,769 S *	5/2008	Emch Ducommun	D10/32
D594,765 S *	6/2009	Rieseler	D10/39
D619,486 S *	7/2010	Cerrato	D10/126

(21) Appl. No.: **29/595,616**

(22) Filed: **Mar. 1, 2017**

(30) **Foreign Application Priority Data**

Oct. 18, 2016 (EM) 003422880

(51) **LOC (11) Cl.** **10-02**

(52) **U.S. Cl.**
USPC **D10/39**

(58) **Field of Classification Search**
USPC D10/3, 14, 15, 41, 30-31, 37-39,
D10/122-128, 131; D14/488-490, 344
CPC G04B 19/00; G04B 19/025; G04B 19/04;
G04B 19/046; G04B 19/048; G04B
19/06; G04B 19/08; G04B 19/085; G04B
19/087; G04B 19/10; G04B 19/103;
G04B 19/106; G04B 19/11; G04B 19/16;
G04B 19/166; G04B 19/18; G04B 19/22;
G04B 19/223; G04B 19/24; G04B 19/30;
G04B 37/00; G04B 37/0008; G04B
37/02; G04B 37/04; G04B 37/12; G04B
45/0069; G04B 45/0076; G04F 7/08;
G04F 7/0804; G04F 7/0842; G04F
7/0857; G04F 7/0861; G04F 7/0876;
G04C 17/00; G04C 17/0008; G04C
17/0016; G04C 17/0025; G04C 17/0033;
G04C 17/0041; G04C 17/005; G04C

(Continued)

Primary Examiner — Sandra S Snapp
Assistant Examiner — Katherine Glennon
(74) *Attorney, Agent, or Firm* — Galbreath Law Offices,
P.C.; John A. Galbreath

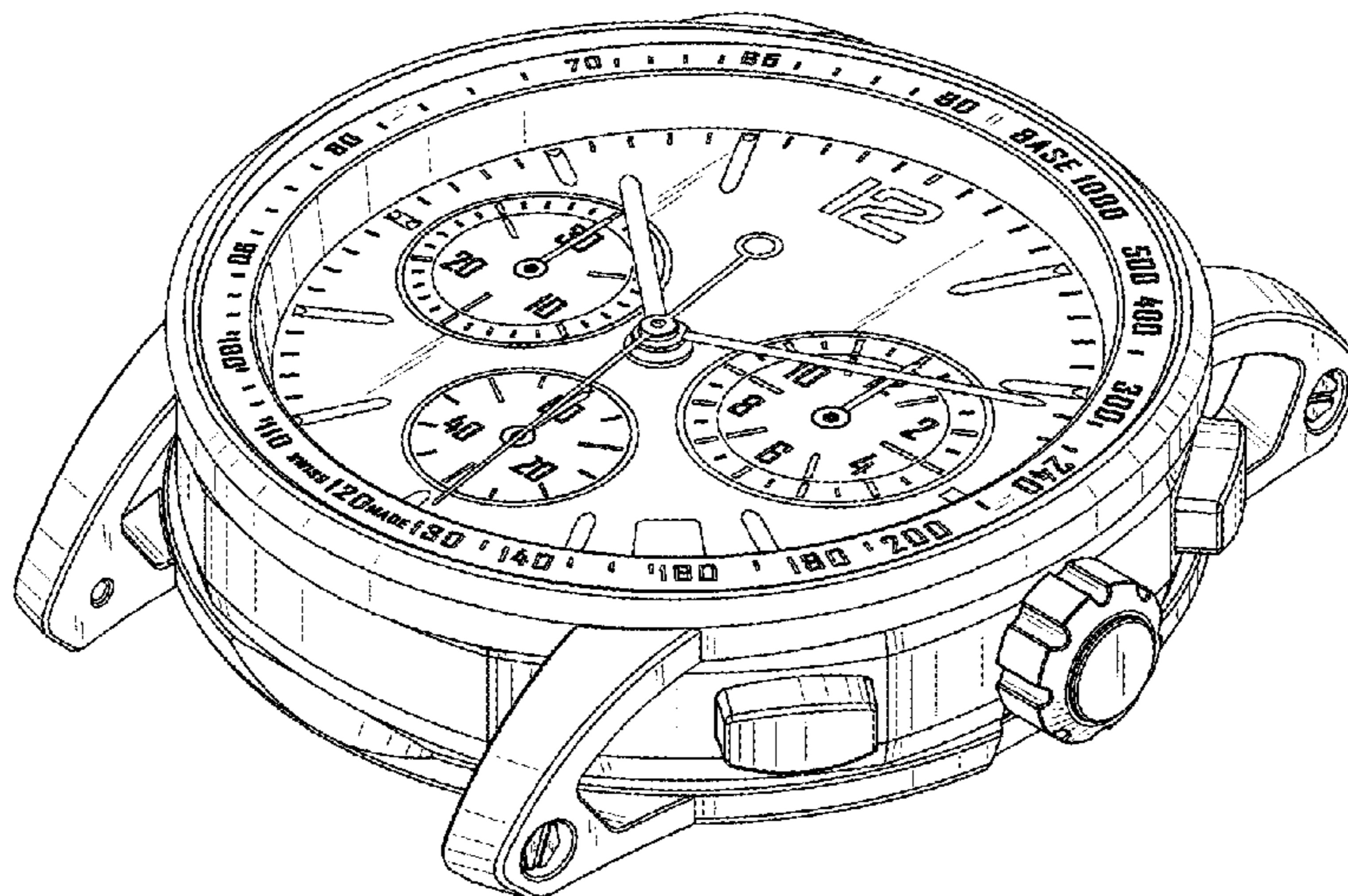
(57) **CLAIM**

The ornamental design for a watch, as shown and described.

DESCRIPTION

FIG. 1 is a top right perspective view showing my new design;
FIG. 2 is a top plan view of a watch thereof;
FIG. 3 is a right side elevational view thereof;
FIG. 4 is a bottom plan view thereof;
FIG. 5 is a left side elevational view thereof;
FIG. 6 is a front elevational view thereof;
FIG. 7 is a rear elevational view thereof; and,
FIG. 8 is a top left perspective view thereof.
The portions of the watch shown in broken lines in FIG. 4 form no part of the claimed design.

1 Claim, 8 Drawing Sheets



(56)

References Cited

U.S. PATENT DOCUMENTS

8,259,536 B2 * 9/2012 Hasegawa G04C 3/146
368/80
D673,866 S * 1/2013 Duport D10/32
D684,486 S * 6/2013 Messmer D10/39
D695,637 S * 12/2013 Jacquerye D10/39
D705,084 S * 5/2014 Emmenegger D10/32
D708,076 S * 7/2014 Monachon D10/39
D717,181 S * 11/2014 Vukcevic D10/38
D738,227 S * 9/2015 Monachon D10/126
D795,087 S * 8/2017 Monachon D10/30
D796,982 S * 9/2017 Muller D10/126
9,785,123 B2 * 10/2017 Mansour G04G 21/08
2016/0139567 A1 * 5/2016 Philippine G04F 7/0871
368/101

* cited by examiner

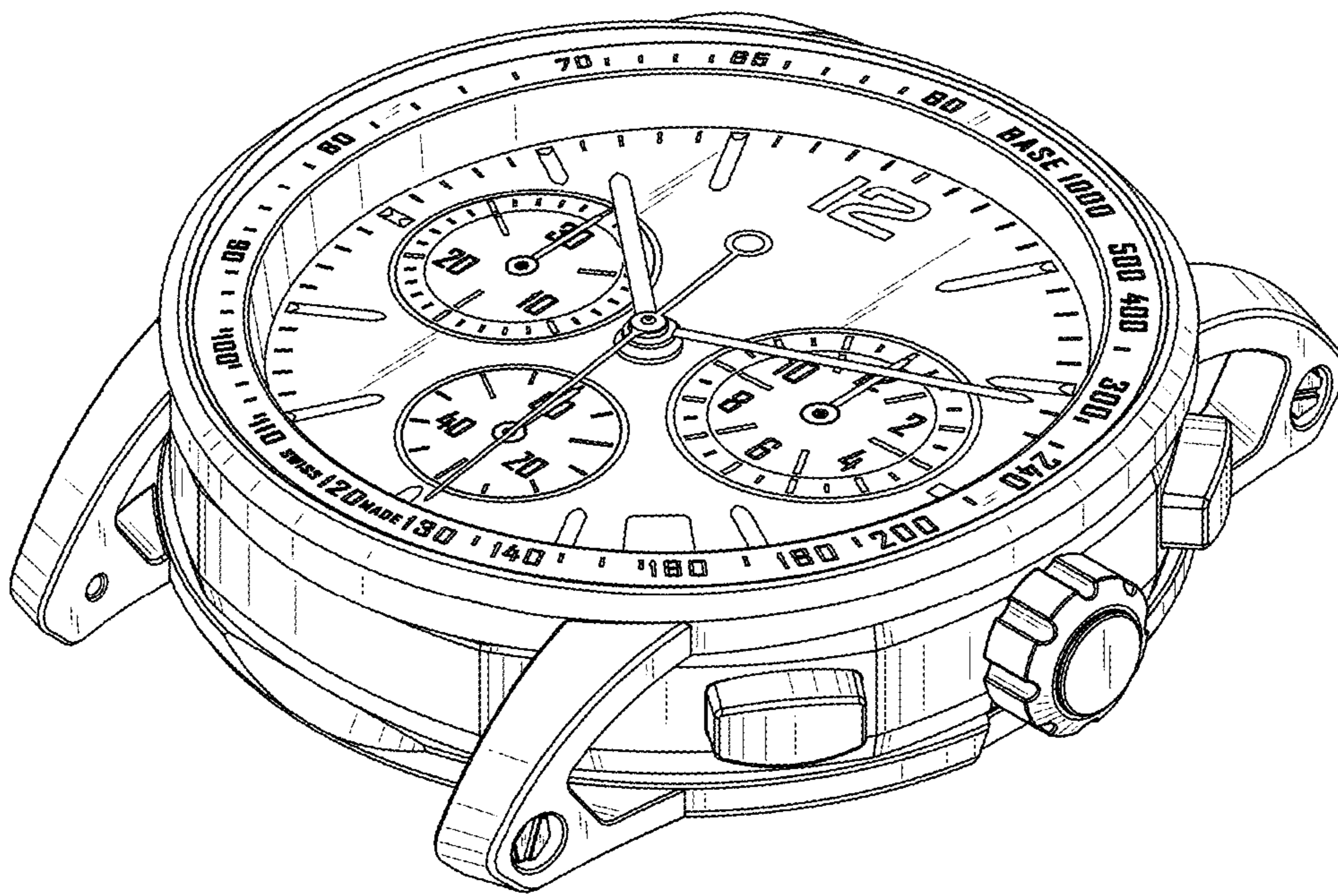


Fig. 1



Fig. 2

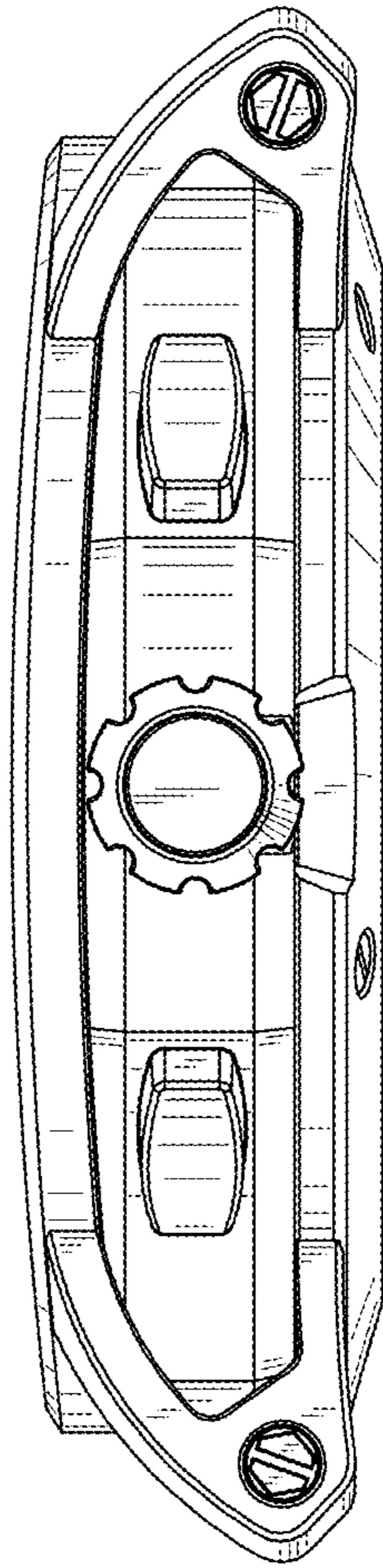


Fig. 3

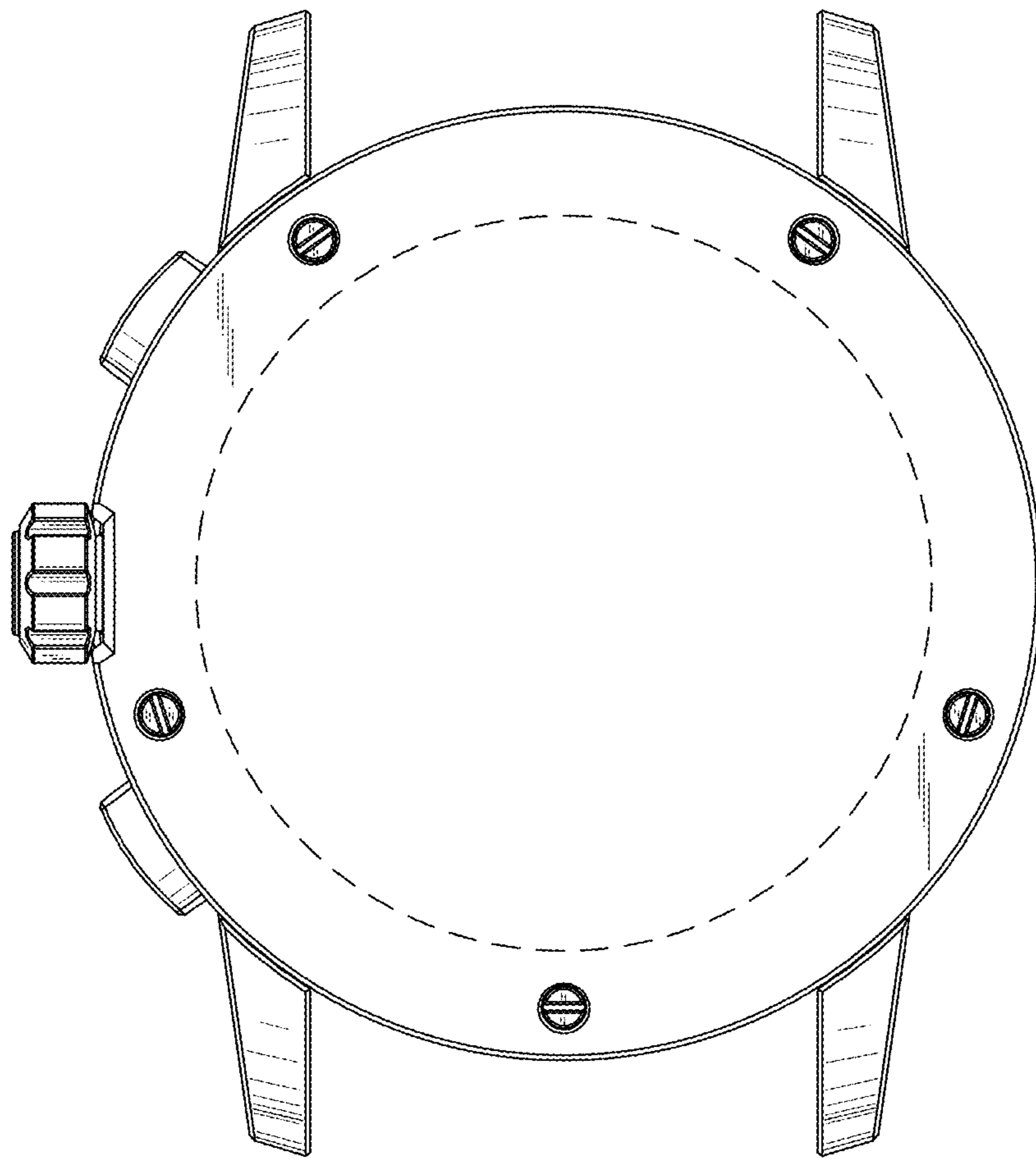


Fig. 4

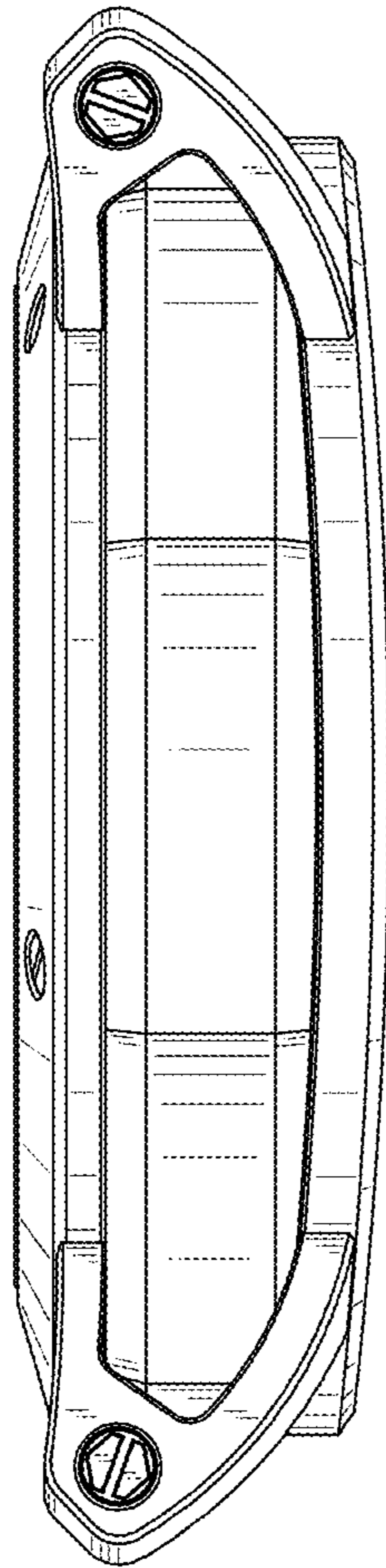


Fig. 5

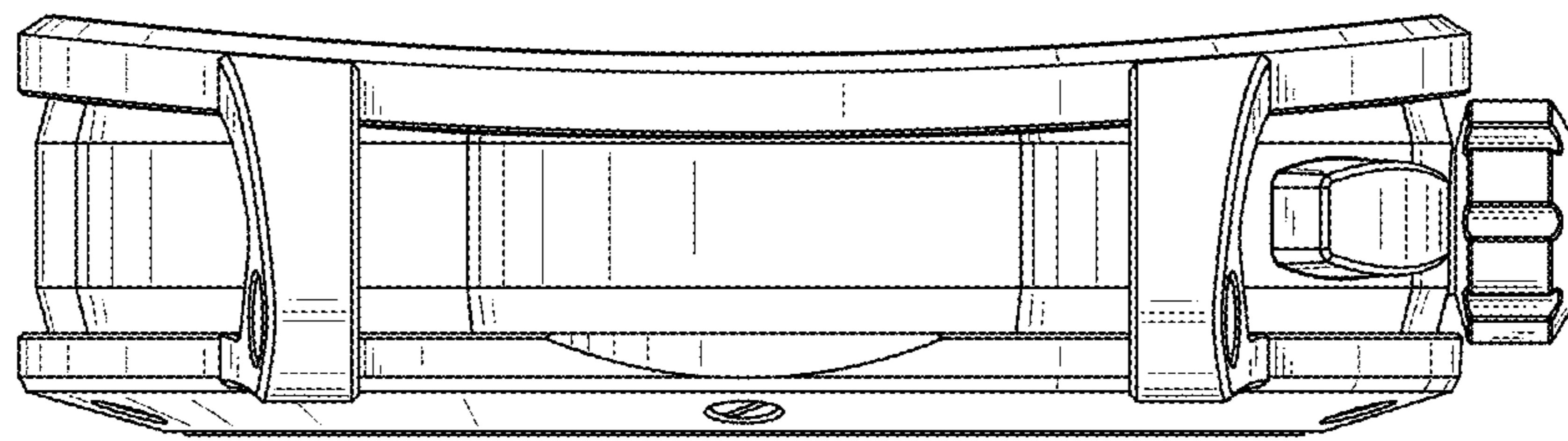


Fig. 6

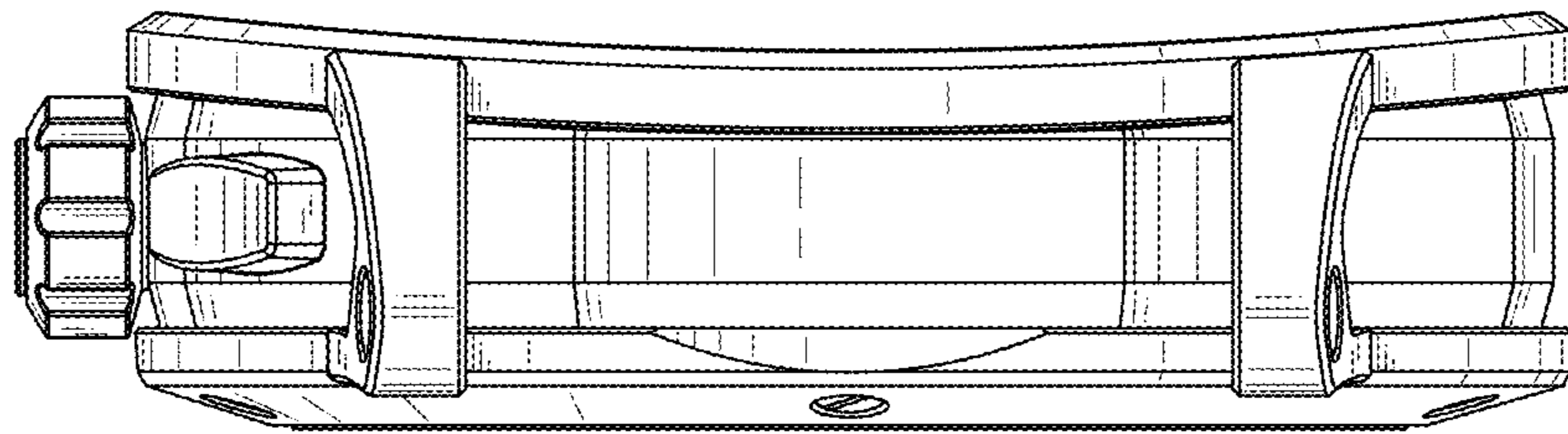


Fig. 7



Fig. 8