



US00D814946S

(12) **United States Design Patent** (10) **Patent No.:** **US D814,946 S**  
**Emmenegger** (45) **Date of Patent:** **\*\* Apr. 10, 2018**

(54) **WATCH**

17/0058; G04C 17/0066; G04C 17/0075;  
G04C 17/0083; G04C 17/0091; G04C  
19/00; G04C 19/04

(71) Applicant: **Audemars Piguet (Marketing) SA**, Le  
Brassus (CH)

See application file for complete search history.

(72) Inventor: **Claude Emmenegger**, La  
Chaux-de-Fonds (CH)

(56) **References Cited**

(73) Assignee: **Audemars Piguet (Marketing) SA**  
(CH)

U.S. PATENT DOCUMENTS

(\*\*) Term: **15 Years**

D73,606 S *	10/1927	Gruen	D10/37
D77,697 S *	2/1929	Leibowitz	D10/37
D240,026 S *	5/1976	Szalek	D10/126
D329,020 S *	9/1992	Iwata	D10/30
D479,135 S *	9/2003	Emmenegger	D10/30
D504,624 S *	5/2005	Bodino	D10/39
7,307,922 B2 *	12/2007	Hiraya	G04C 10/00 368/140
D573,486 S *	7/2008	Sanz	D10/38
7,623,415 B2 *	11/2009	Raeber	B63C 11/32 368/10
D673,866 S *	1/2013	Duport	D10/32

(21) Appl. No.: **29/595,614**

(22) Filed: **Mar. 1, 2017**

(30) **Foreign Application Priority Data**

Oct. 18, 2016 (EM) ..... 003422880

(51) **LOC (11) Cl.** ..... **10-02**

(52) **U.S. Cl.**  
USPC ..... **D10/39**

(58) **Field of Classification Search**  
USPC ..... D10/3, 14, 15, 41, 30-31, 37-39,  
D10/122-128, 131; D14/488-490, 344  
CPC ..... G04B 19/00; G04B 19/025; G04B 19/04;  
G04B 19/046; G04B 19/048; G04B  
19/06; G04B 19/08; G04B 19/085; G04B  
19/087; G04B 19/10; G04B 19/103;  
G04B 19/106; G04B 19/11; G04B 19/16;  
G04B 19/166; G04B 19/18; G04B 19/22;  
G04B 19/223; G04B 19/24; G04B 19/30;  
G04B 37/00; G04B 37/0008; G04B  
37/02; G04B 37/04; G04B 37/12; G04B  
45/0069; G04B 45/0076; G04F 7/08;  
G04F 7/0804; G04F 7/0842; G04F  
7/0857; G04F 7/0861; G04F 7/0876;  
G04C 17/00; G04C 17/0008; G04C  
17/0016; G04C 17/0025; G04C 17/0033;  
G04C 17/0041; G04C 17/005; G04C

(Continued)

*Primary Examiner* — Sandra S Snapp  
*Assistant Examiner* — Katherine Glennon  
(74) *Attorney, Agent, or Firm* — Galbreath Law Offices,  
P.C.; John A. Galbreath

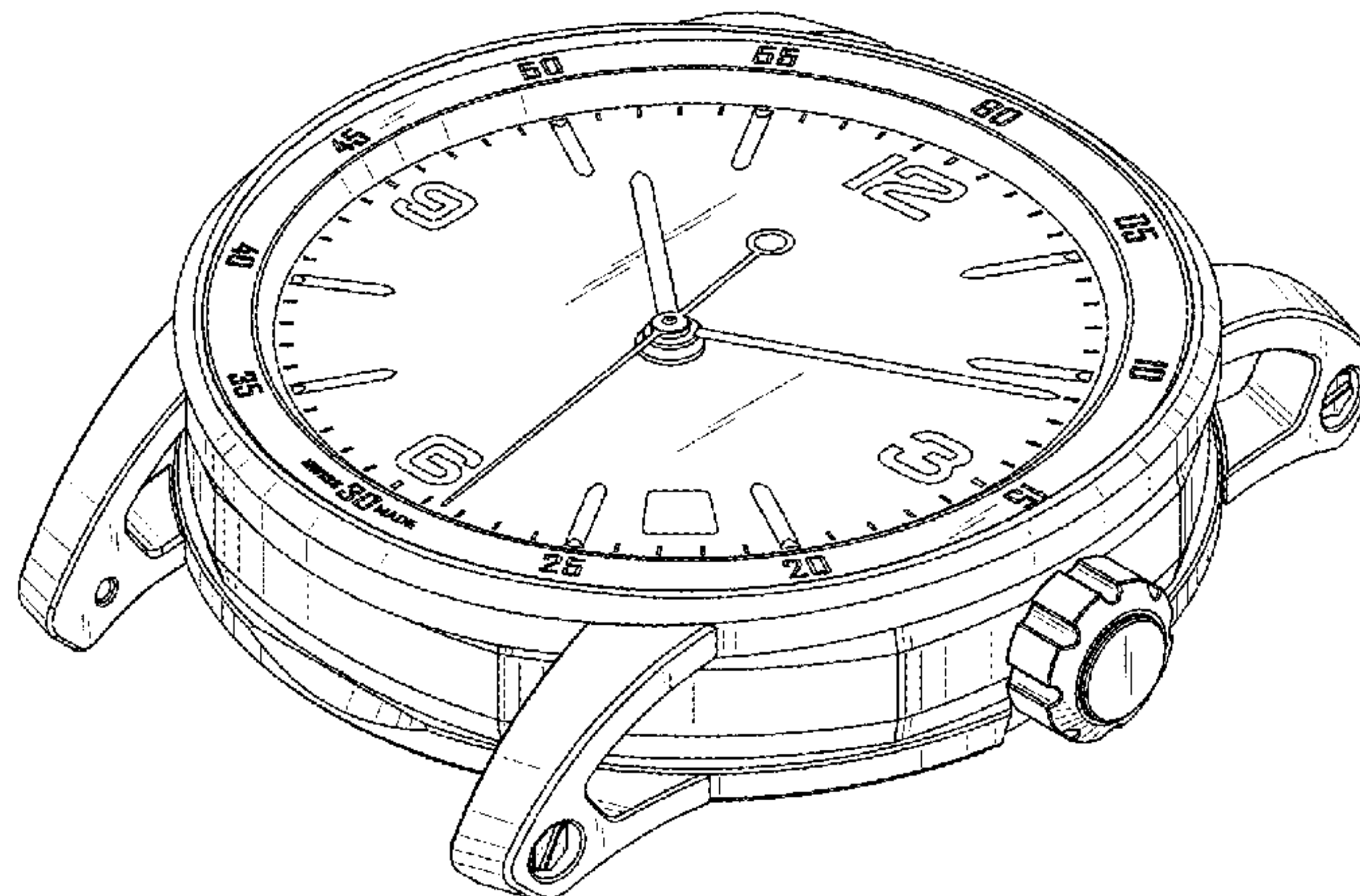
(57) **CLAIM**

The ornamental design for a watch, as shown and described.

**DESCRIPTION**

FIG. 1 is a top right perspective view showing my new design;  
FIG. 2 is a top plan view of a watch thereof;  
FIG. 3 is a right side elevational view thereof;  
FIG. 4 is a bottom plan view thereof;  
FIG. 5 is a left side elevational view thereof;  
FIG. 6 is a front elevational view thereof;  
FIG. 7 is a rear elevational view thereof; and,  
FIG. 8 is a top left perspective view thereof.  
The portions of the watch shown in broken lines in FIG. 4 form no part of the claimed design.

**1 Claim, 8 Drawing Sheets**



(56)

**References Cited**

U.S. PATENT DOCUMENTS

D684,486 S *	6/2013	Messmer .....	D10/39
D705,084 S *	5/2014	Emmenegger .....	D10/32
D708,965 S *	7/2014	Monachon .....	D10/39
D717,181 S *	11/2014	Vukcevic .....	D10/38
D748,501 S *	2/2016	Cerrato .....	D10/30
D749,448 S *	2/2016	Monachon .....	D10/126
D750,505 S *	3/2016	Cerrato .....	D10/30
D768,526 S *	10/2016	Cerrato .....	D10/126
D771,505 S *	11/2016	Cerrato .....	D10/30
D782,336 S *	3/2017	White .....	D10/39

\* cited by examiner

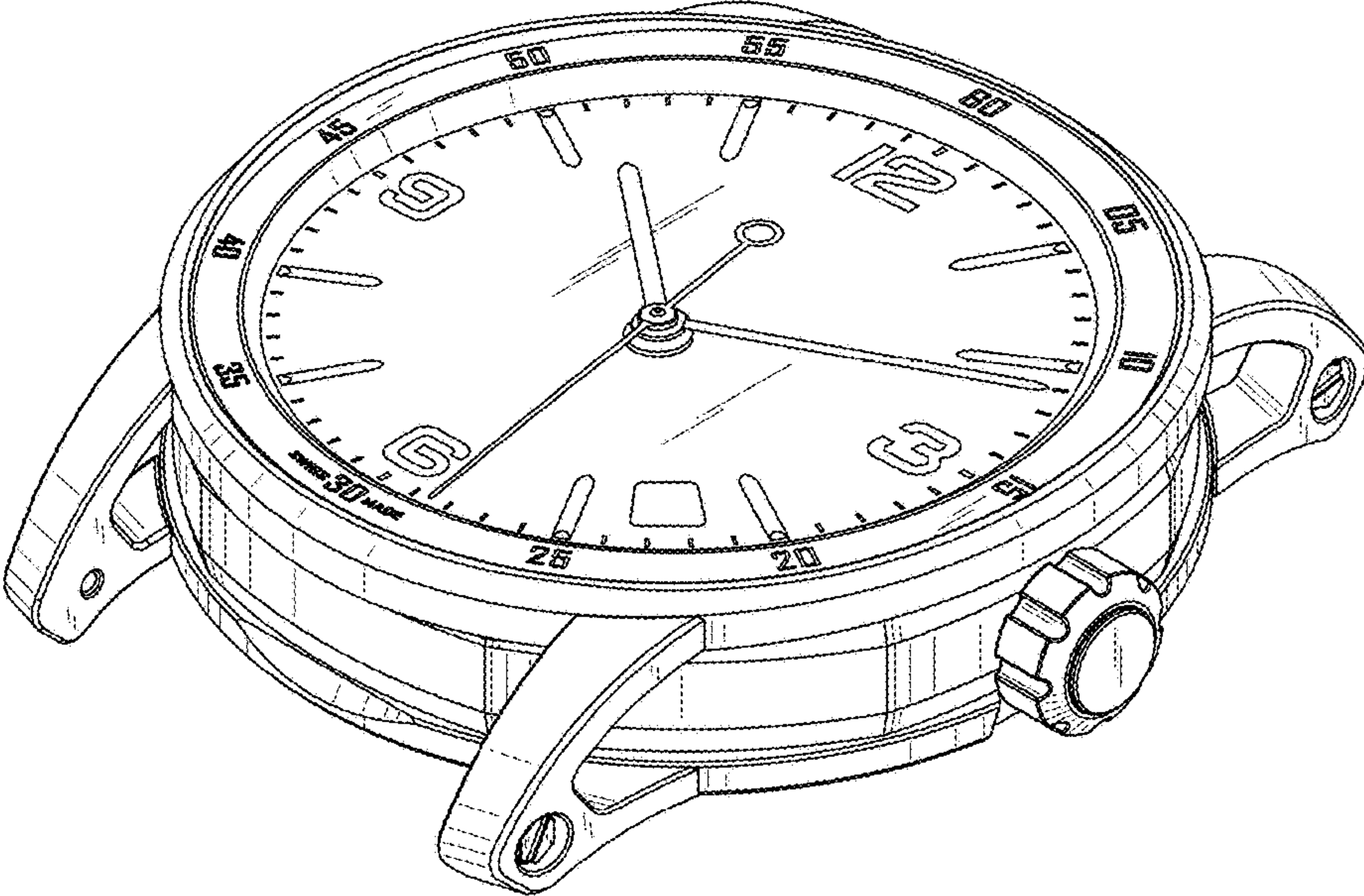


Fig. 1



Fig. 2



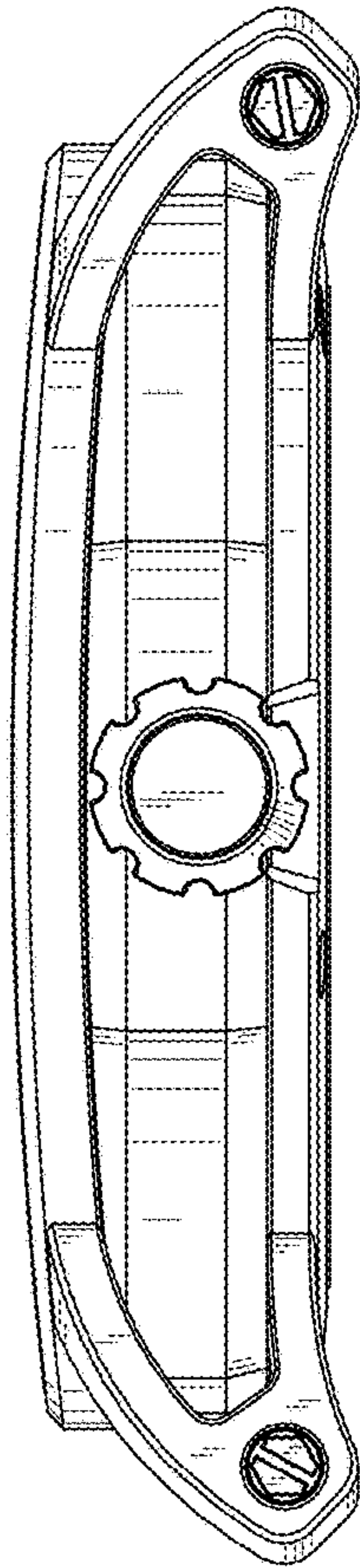


Fig. 3

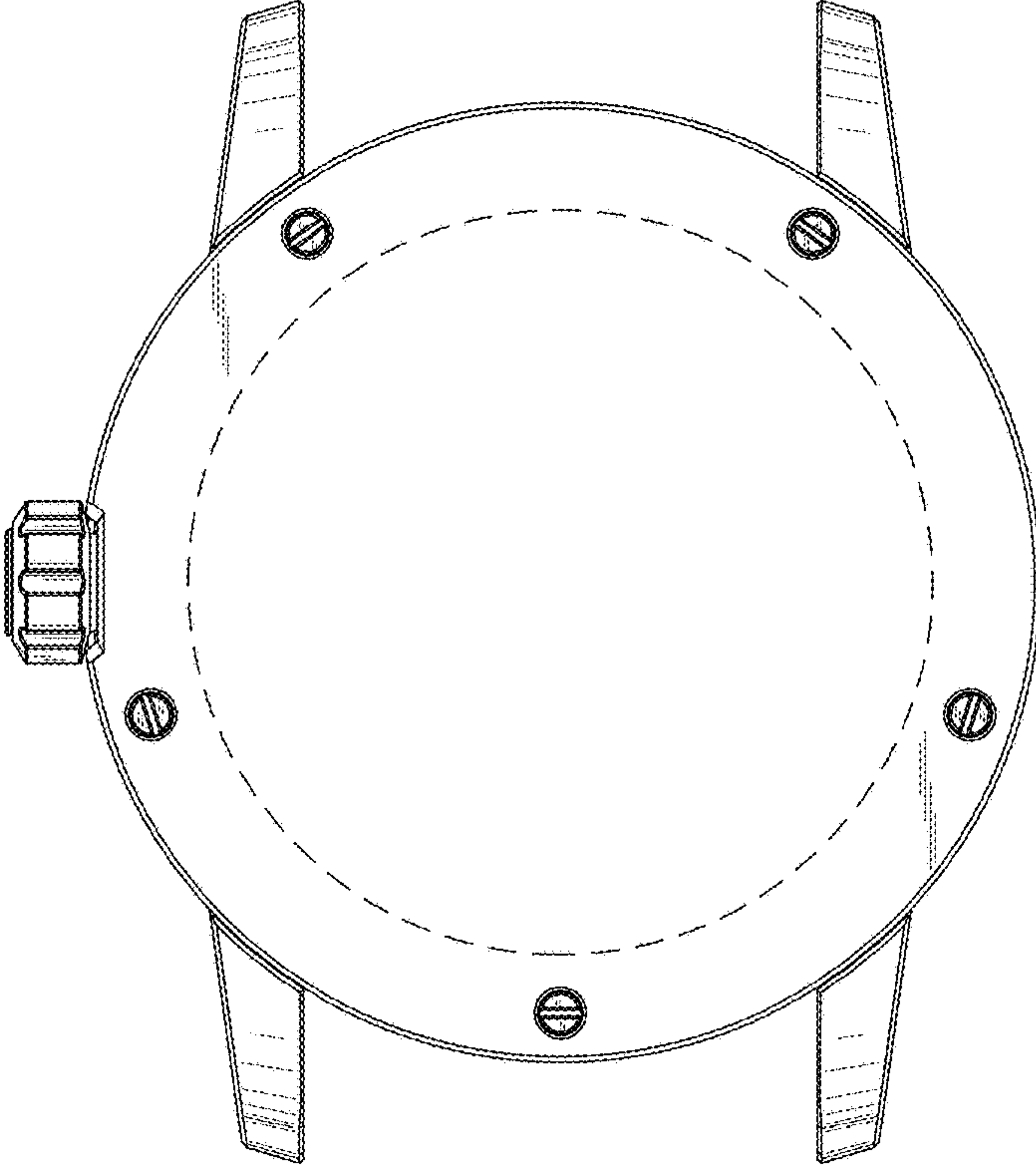


Fig. 4

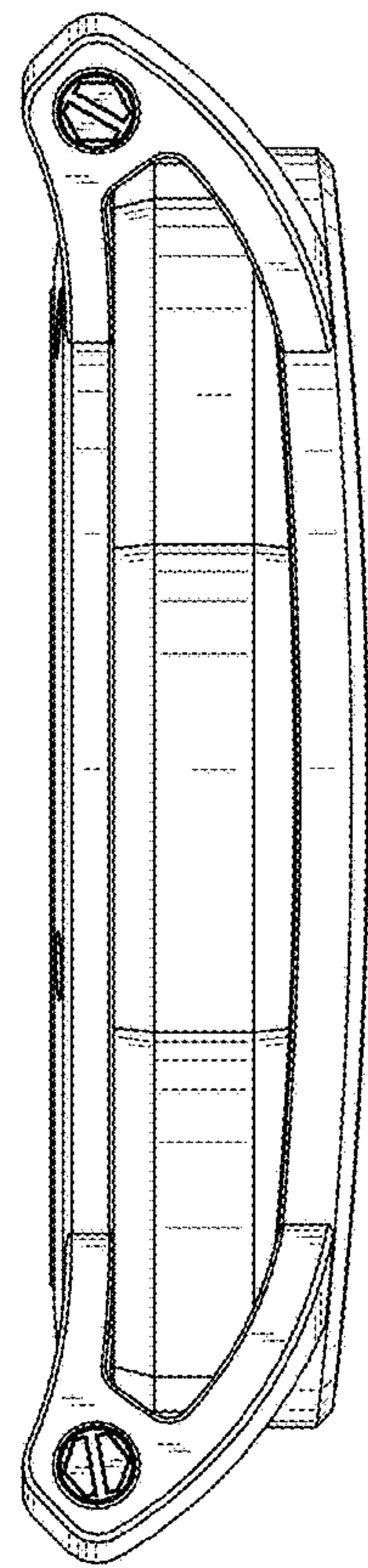


Fig. 5

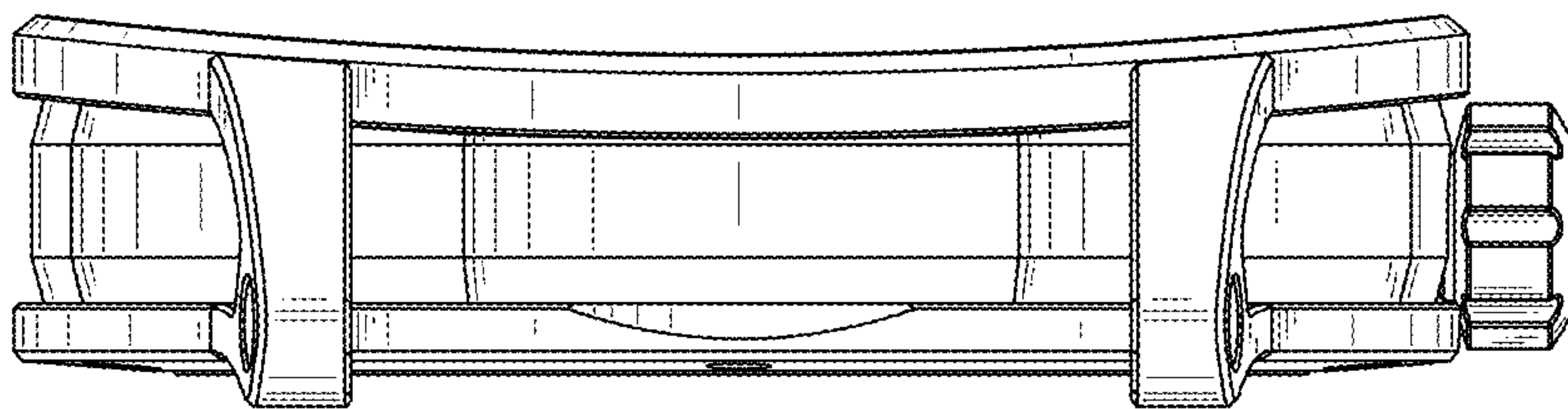


Fig. 6



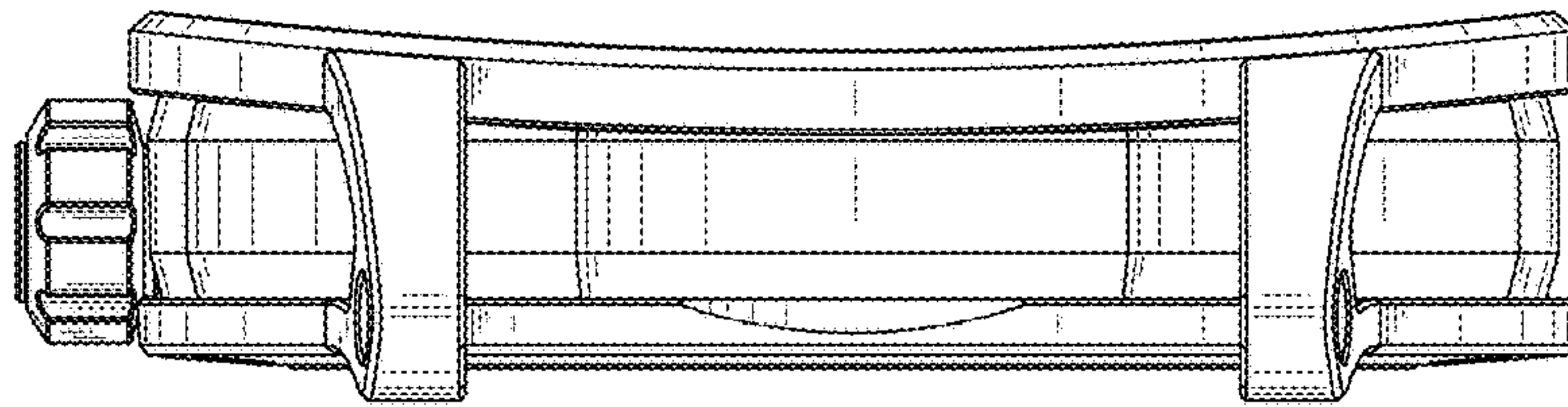


Fig. 7

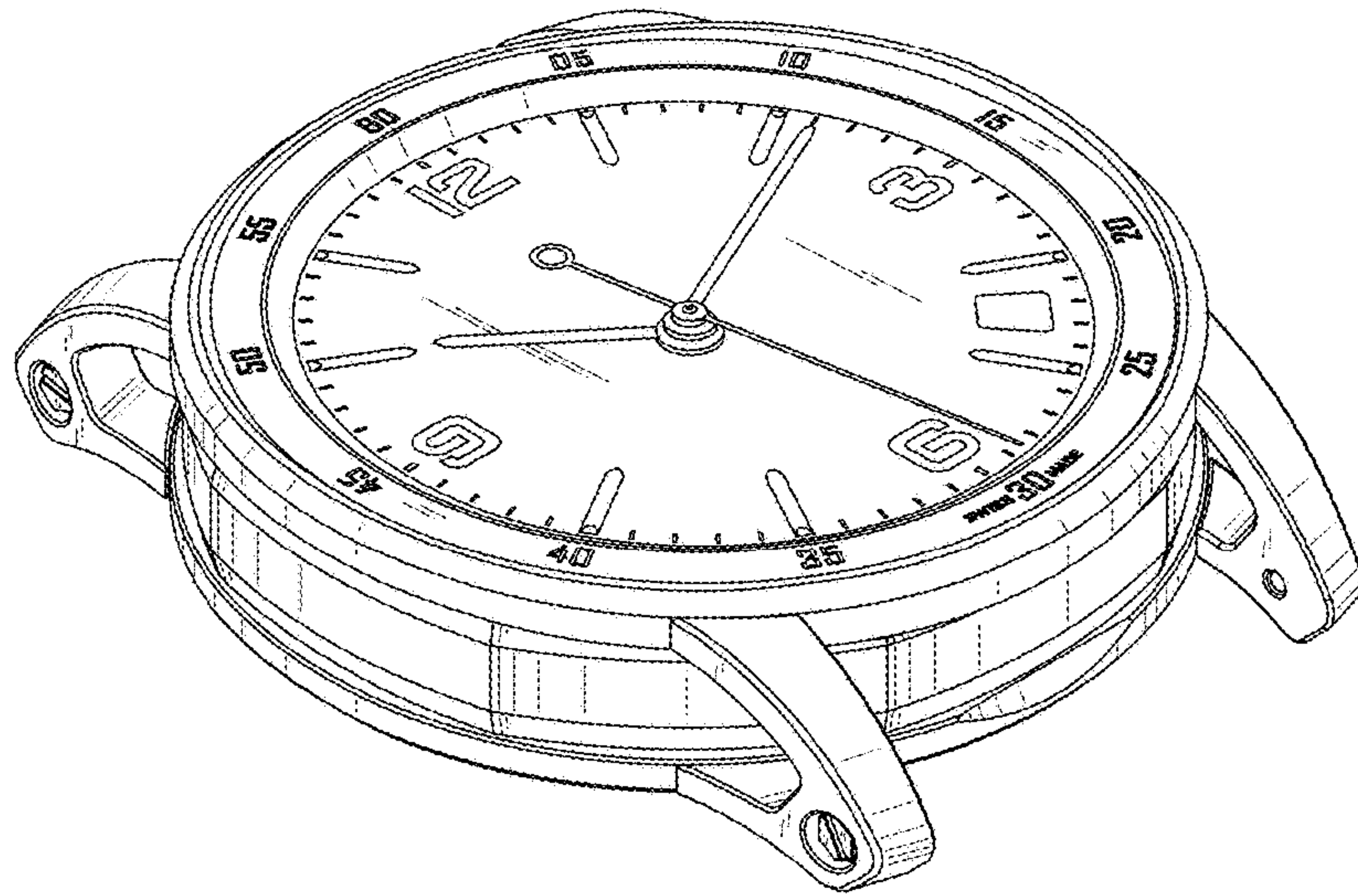


Fig. 8