



US00D814945S

(12) **United States Design Patent**
Pilot

(10) **Patent No.:** **US D814,945 S**

(45) **Date of Patent:** **** Apr. 10, 2018**

(54) **WATCH CASE**

(71) Applicant: **Montblanc-Simplo GmbH**, Hamburg
(DE)

(72) Inventor: **Eric Pillot**, Orchamps-Vennes (FR)

(73) Assignee: **Montblanc-Simplo GmbH**, Hamburg
(DE)

(**) Term: **15 Years**

(21) Appl. No.: **29/596,687**

(22) Filed: **Mar. 10, 2017**

(51) **LOC (11) Cl.** **10-02**

(52) **U.S. Cl.**
USPC **D10/38**

(58) **Field of Classification Search**

USPC D10/3, 14, 15, 41, 30-31, 37-39,
D10/122-128, 131

CPC G04B 19/00; G04B 19/025; G04B 19/04;
G04B 19/046; G04B 19/048; G04B
19/06; G04B 19/08; G04B 19/085; G04B
19/087; G04B 19/10; G04B 19/103;
G04B 19/106; G04B 19/11; G04B 19/16;
G04B 19/166; G04B 19/18; G04B 19/22;
G04B 19/223; G04B 19/24; G04B 19/30;
G04B 37/00; G04B 37/0008; G04B
37/02; G04B 37/04; G04B 37/12; G04B
45/0069; G04B 45/0076; G04F 7/08;
G04F 7/0804; G04F 7/0842; G04F
7/0857; G04F 7/0861; G04F 7/0876;
G04C 17/00; G04C 17/0008; G04C
17/0016; G04C 17/0025; G04C 17/0033;
G04C 17/0041; G04C 17/005; G04C
17/0058; G04C 17/0066; G04C 17/0075;
G04C 17/0083; G04C 17/0091; G04C
19/00; G04C 19/04

See application file for complete search history.

(56) **References Cited**

U.S. PATENT DOCUMENTS

D382,815 S * 8/1997 Riley D10/30
D382,816 S * 8/1997 Riley D10/30

D415,432 S * 10/1999 Cattin D10/30
D415,693 S * 10/1999 Kennedy D10/30
D416,204 S * 11/1999 Hsu D10/30
D436,044 S * 1/2001 Subilia D10/30
D611,842 S * 3/2010 Parmigiani D10/38
D618,118 S * 6/2010 Dolce D10/38
D628,499 S * 12/2010 Duport D10/38
D645,766 S * 9/2011 Bertucci D10/38
D651,099 S * 12/2011 Ruffieux D10/38

(Continued)

OTHER PUBLICATIONS

Armida A1 Diver NH35 Bezel | posted at forums.watchuseek.com
Feb. 2013 © 2017 DragonByte Technologies Ltd. [online][site
visited Nov. 30, 2017]. Available from Internet: <http://forums.
watchuseek.com/f74/armida-a1-brass-42mm-300m-diver-nh35-
here-1091762-19.html>.*

(Continued)

Primary Examiner — Sandra S Snapp
Assistant Examiner — Katherine Glennon
(74) *Attorney, Agent, or Firm* — Taft Stettinius &
Hollister LLP

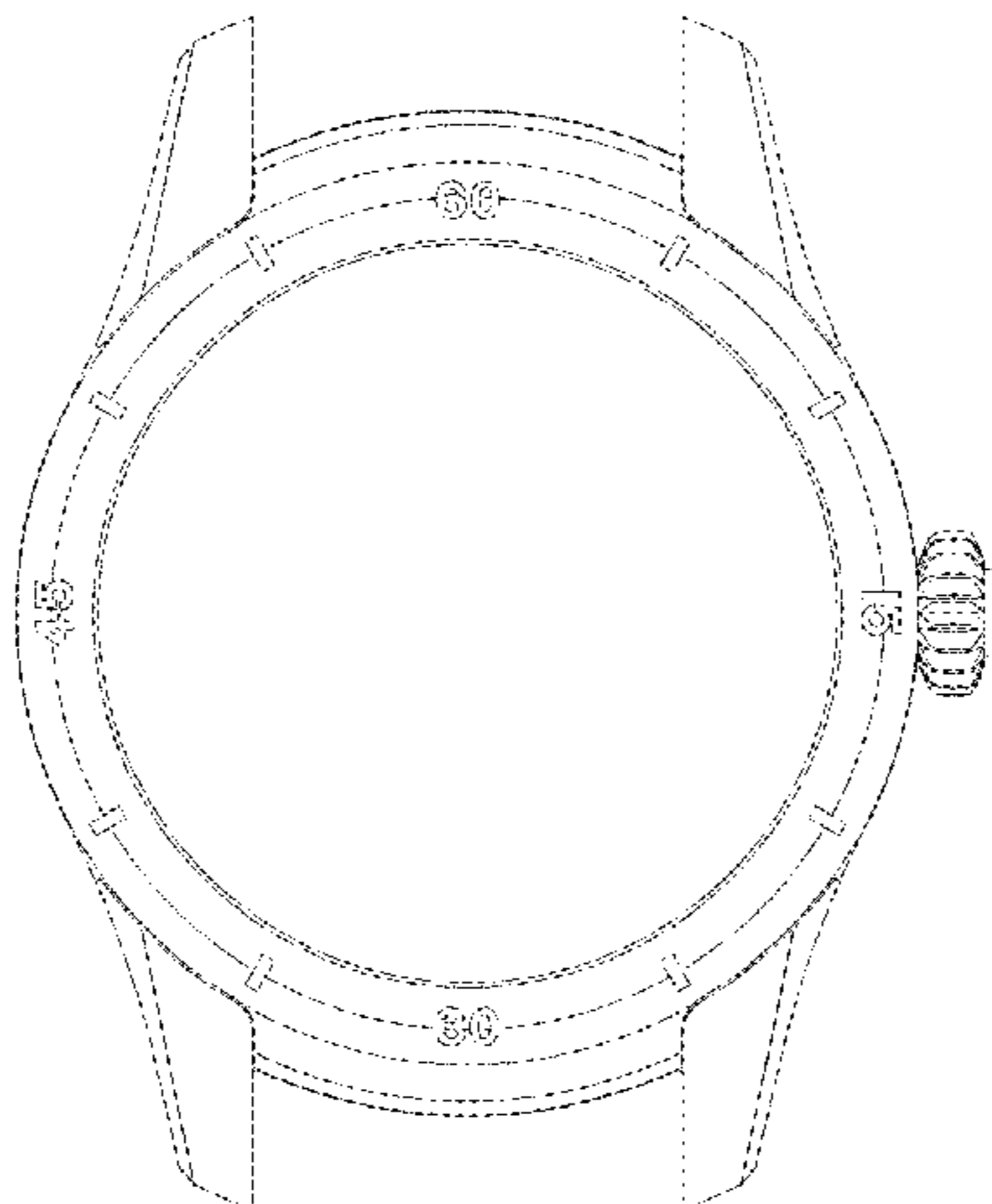
(57) **CLAIM**

The ornamental design for a watch case, as shown and
described.

DESCRIPTION

FIG. 1 is a front elevational view of a watch case showing
my new design;
FIG. 2 is a back elevational view thereof;
FIG. 3 is a right side elevational view thereof;
FIG. 4 is a left side elevational view thereof;
FIG. 5 is a bottom plan view thereof;
FIG. 6 is a top plan view thereof;
FIG. 7 is a front, right side perspective view thereof; and,
FIG. 8 is a back, left side perspective view thereof.

1 Claim, 1 Drawing Sheet



(56)

References Cited

U.S. PATENT DOCUMENTS

| | | | | |
|------------|---|---------|----------------|---------|
| D677,176 S | * | 3/2013 | Ruffieux | D10/39 |
| D678,081 S | * | 3/2013 | Cabiddu | D10/38 |
| D692,778 S | * | 11/2013 | Duport | D10/39 |
| D693,244 S | * | 11/2013 | Duport | D10/39 |
| D733,582 S | * | 7/2015 | Gueit | D10/38 |
| D735,056 S | * | 7/2015 | Hamel | D10/126 |
| D764,949 S | * | 8/2016 | Bonoli | D10/131 |
| D768,512 S | * | 10/2016 | Ruffieux | D10/32 |
| D785,468 S | * | 5/2017 | White | D10/30 |
| D795,707 S | * | 8/2017 | Monachon | D10/30 |

OTHER PUBLICATIONS

OceanicTime Zelos Abyss | posted at oceanictime.blogspot.com Feb. 2016 © 2008-2017 OceanicTime [online][site visited Nov. 30, 2017]. Available from Internet: <<http://oceanictime.blogspot.com/2016/02/zelos-abyss-review.html>>.*

Montblanc 1858 Collection—Hodinkee | posted by Cara Barrett at hodinkee.com Oct. 2015 Copyright © 2009-2017, Hodinkee Inc. [online][site visited Nov. 30, 2017]. Available from Internet: <<https://www.hodinkee.com/articles/the-montblanc-1858-collection>>.*

* cited by examiner

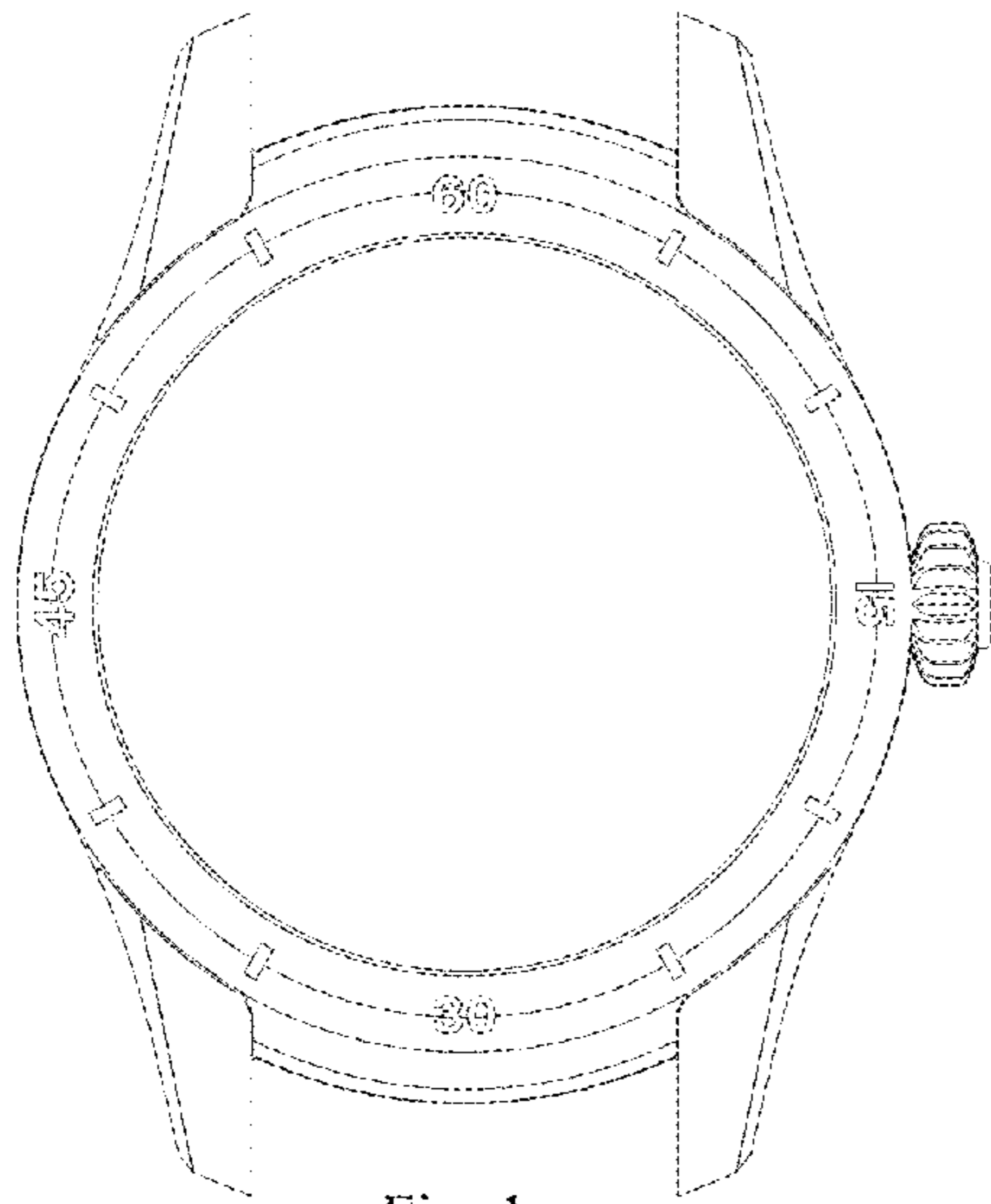


Fig. 1

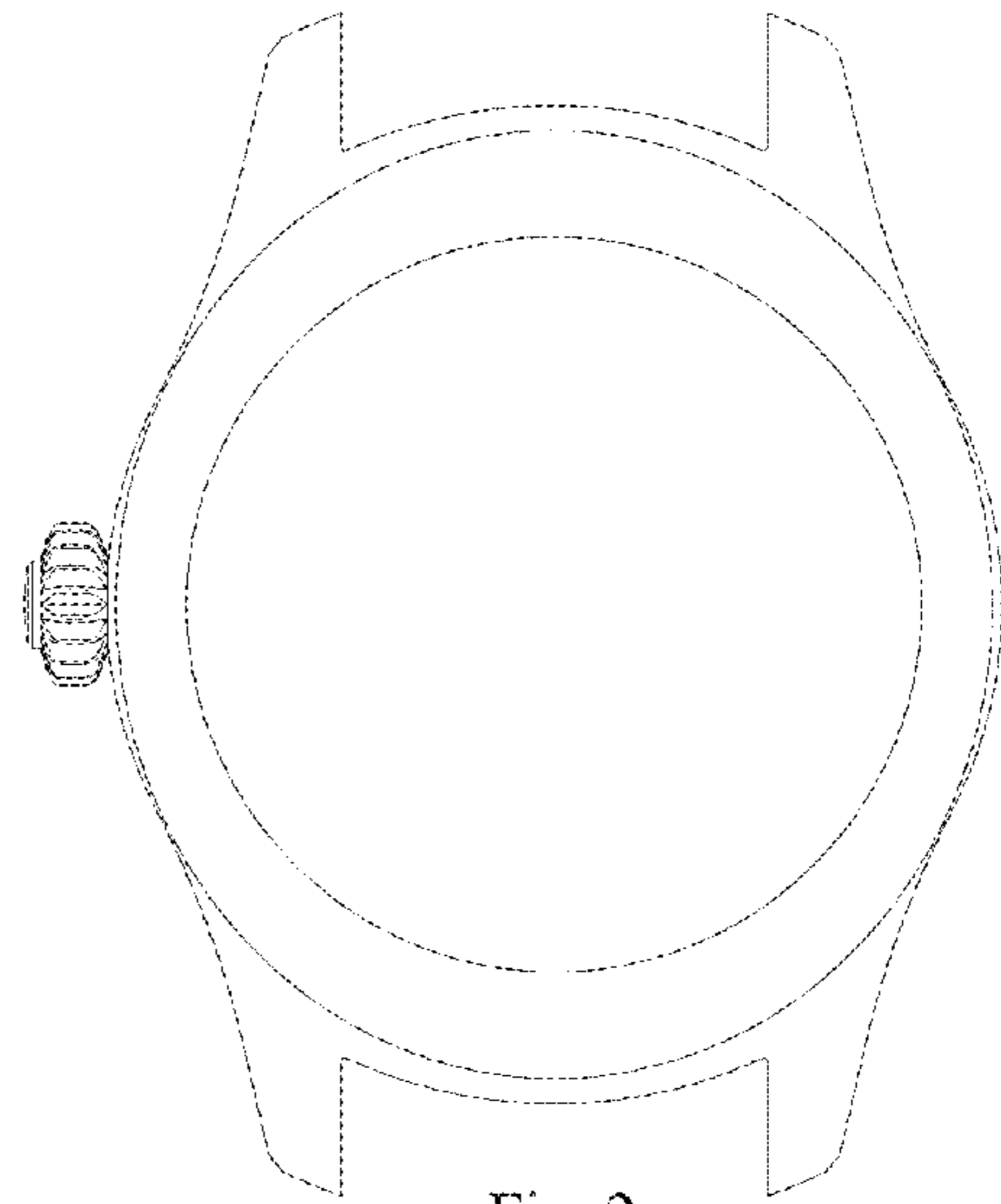


Fig. 2

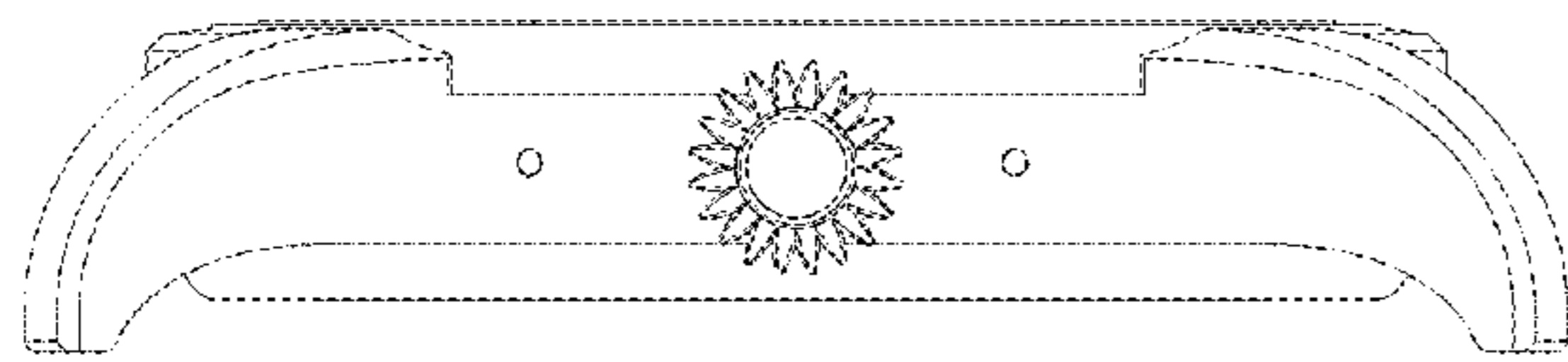


Fig. 3

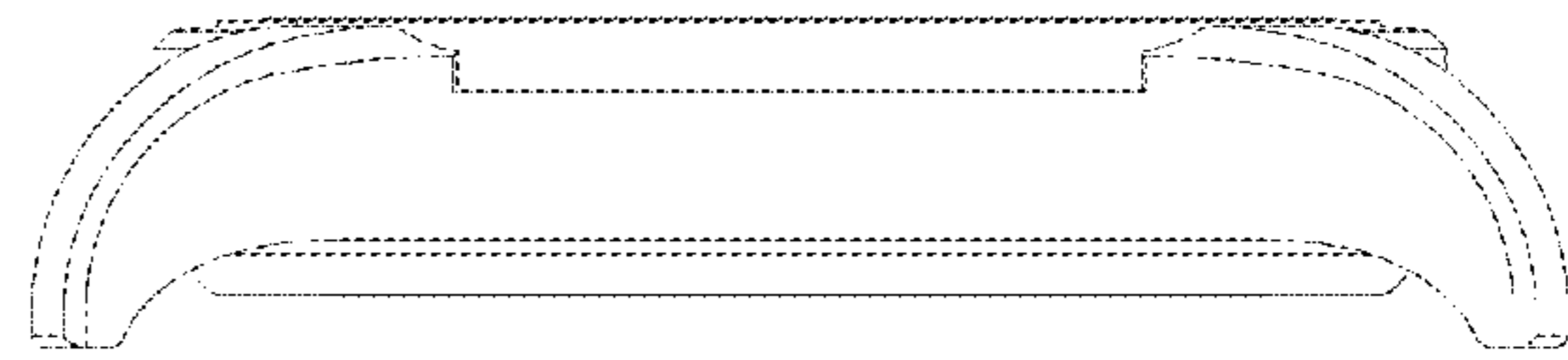


Fig. 4

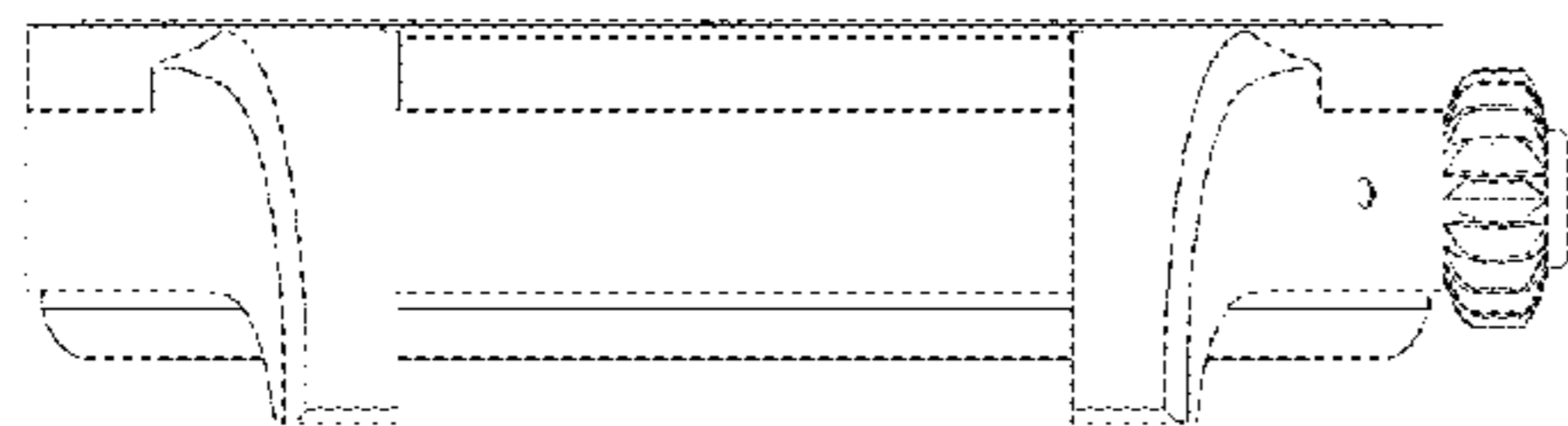


Fig. 5

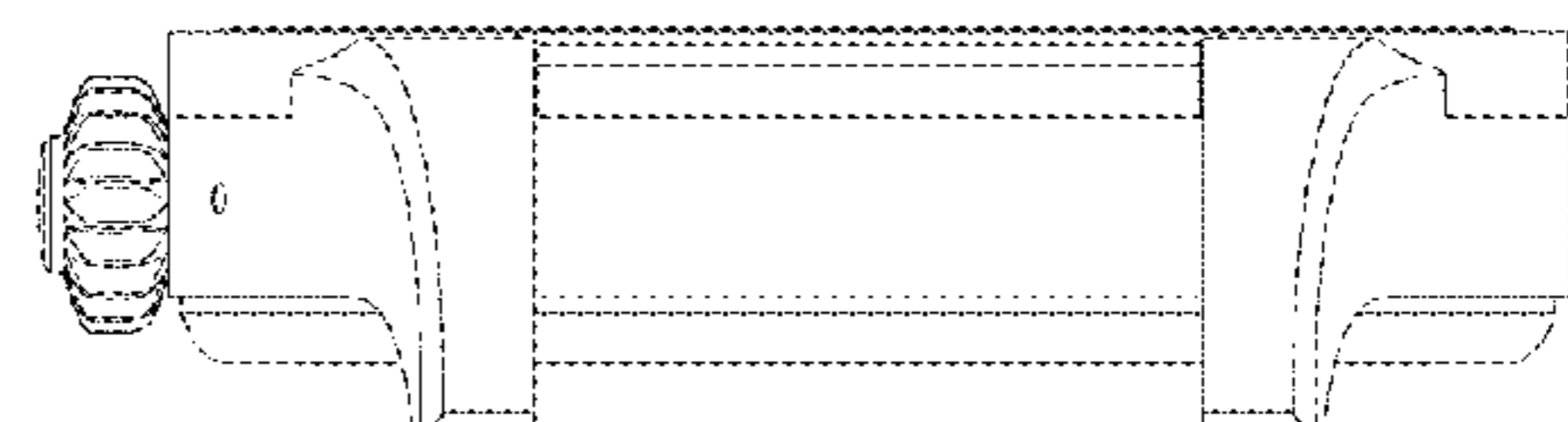


Fig. 6

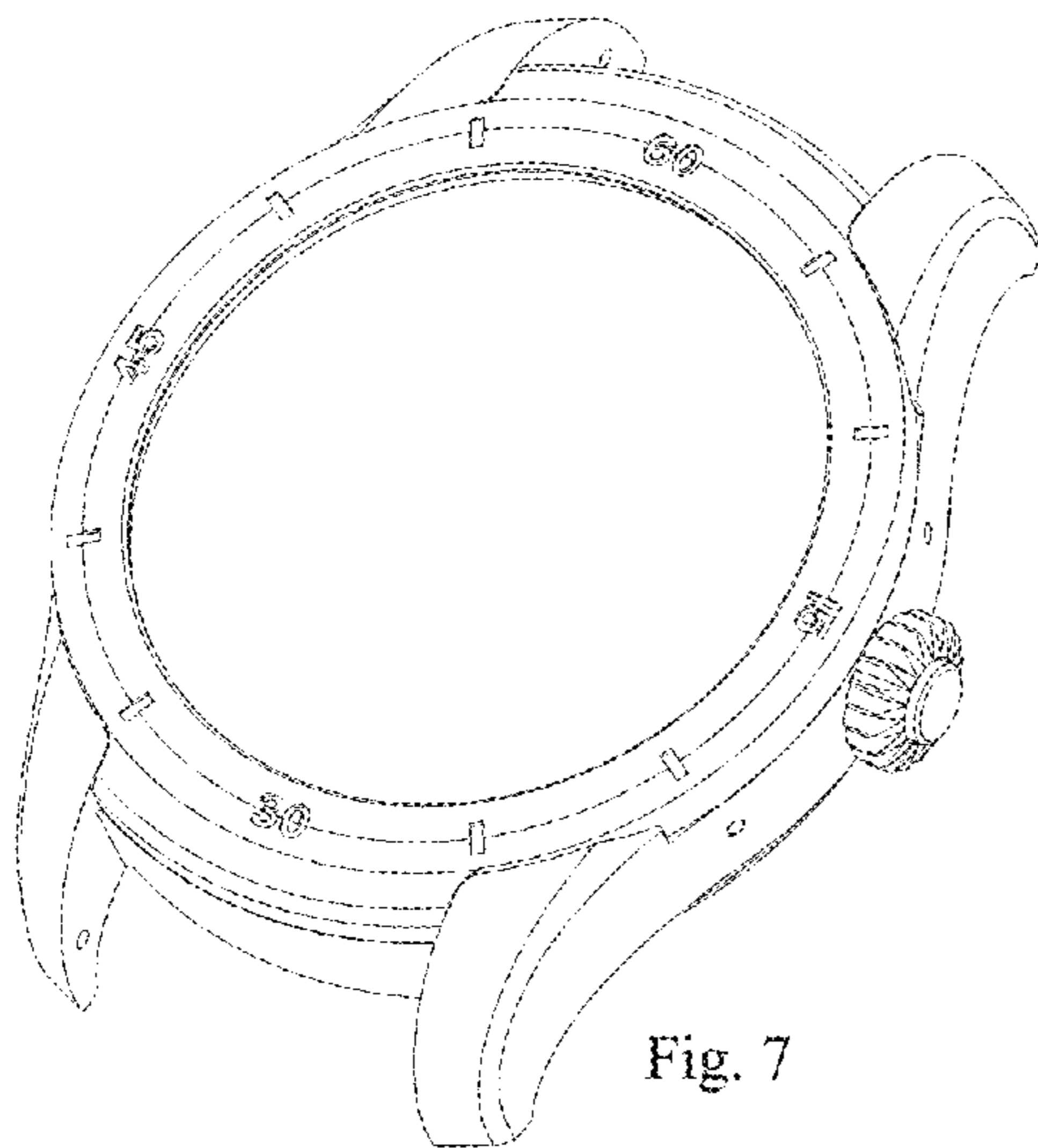


Fig. 7

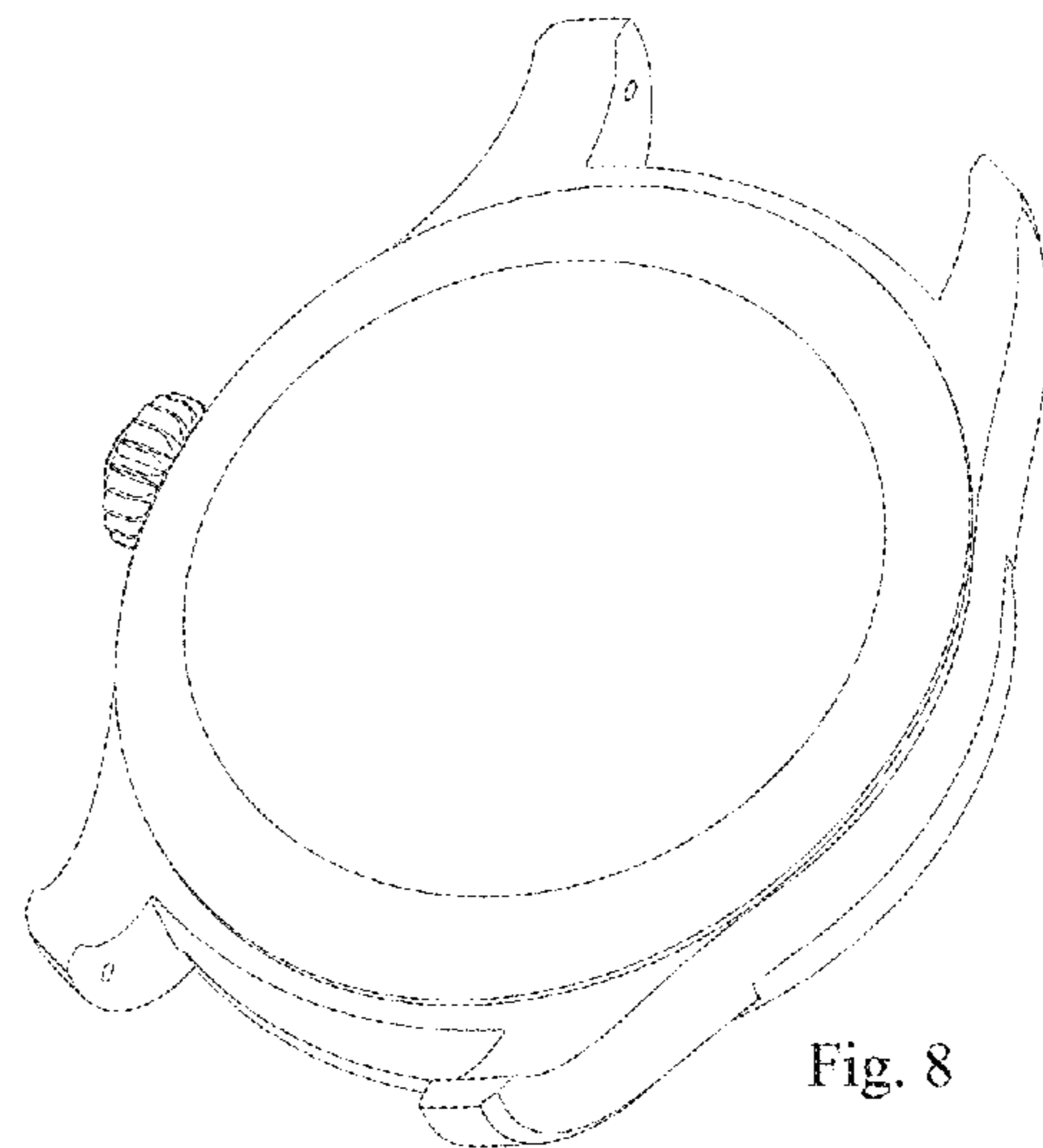


Fig. 8