



US00D814943S

(12) **United States Design Patent**
White et al.

(10) **Patent No.:** **US D814,943 S**
(45) **Date of Patent:** **** Apr. 10, 2018**

- (54) **WATCH**
- (71) Applicant: **Nixon, Inc.**, Encinitas, CA (US)
- (72) Inventors: **Tyson White**, Encinitas, CA (US); **Joe Babcock**, Encinitas, CA (US); **Nick Everist**, Encinitas, CA (US)
- (73) Assignee: **NIXON, INC.**, Encinitas, CA (US)
- (**) Term: **15 Years**
- (21) Appl. No.: **29/545,203**
- (22) Filed: **Nov. 10, 2015**
- (51) **LOC (11) Cl.** **10-02**
- (52) **U.S. Cl.**
USPC **D10/32**
- (58) **Field of Classification Search**
USPC D10/1, 4, 6, 15, 30-39, 41, 44-45,
D10/122-126, 131-132; D14/344
CPC G04B 19/00; G04B 19/025; G04B 19/04;
G04B 19/046; G04B 19/048; G04B
19/06; G04B 19/08; G04B 19/085; G04B
19/087; G04B 19/10; G04B 19/103;
G04B 19/106; G04B 47/042; G04B
47/04; G04B 19/11; G04B 19/16; G04B
19/166; G04B 19/18; G04B 19/22; G04B
19/223; G04B 19/24; G04B 19/30; G04B
37/00; G04B 37/0008; G04B 37/02;
G04B 37/04; G04B 37/12; G04B 39/002;
G04B 39/006; G04B 39/008; G04B
45/0069; G04B 45/0076; G04B 45/04;
G04B 45/00
See application file for complete search history.

- (56) **References Cited**
U.S. PATENT DOCUMENTS
4,995,023 A * 2/1991 Muller G04B 37/0008
368/276
D315,514 S * 3/1991 Weil D10/32

- D323,623 S * 2/1992 Wakamatsu D10/30
 - D329,388 S * 9/1992 Takahashi D10/30
 - D360,369 S * 7/1995 Wong D10/30
 - D378,575 S * 3/1997 Houlihan D10/30
 - D397,300 S * 8/1998 Chen D10/30
 - D583,259 S * 12/2008 Arpa D10/39
 - D584,172 S * 1/2009 Soltani D10/39
 - D622,619 S * 8/2010 Goodman D10/31
 - D658,079 S * 4/2012 Emch D10/38
 - D674,294 S * 1/2013 Vaptzarof D10/38
 - D733,578 S * 7/2015 Ikezu D10/30
 - D735,589 S * 8/2015 Grinberg D10/38
 - D740,137 S * 10/2015 Syoubayashi D10/38
 - D761,132 S * 7/2016 Nunes D10/128
- (Continued)

OTHER PUBLICATIONS

Casio G-Shock Watch | posted by nywatchstore at youtube.com Oct. 30, 2013 [online][site visited Oct. 24, 2017]. Available from Internet: <<https://www.youtube.com/watch?v=gnSZIZzwyAM>> (Year: 2013).*

(Continued)

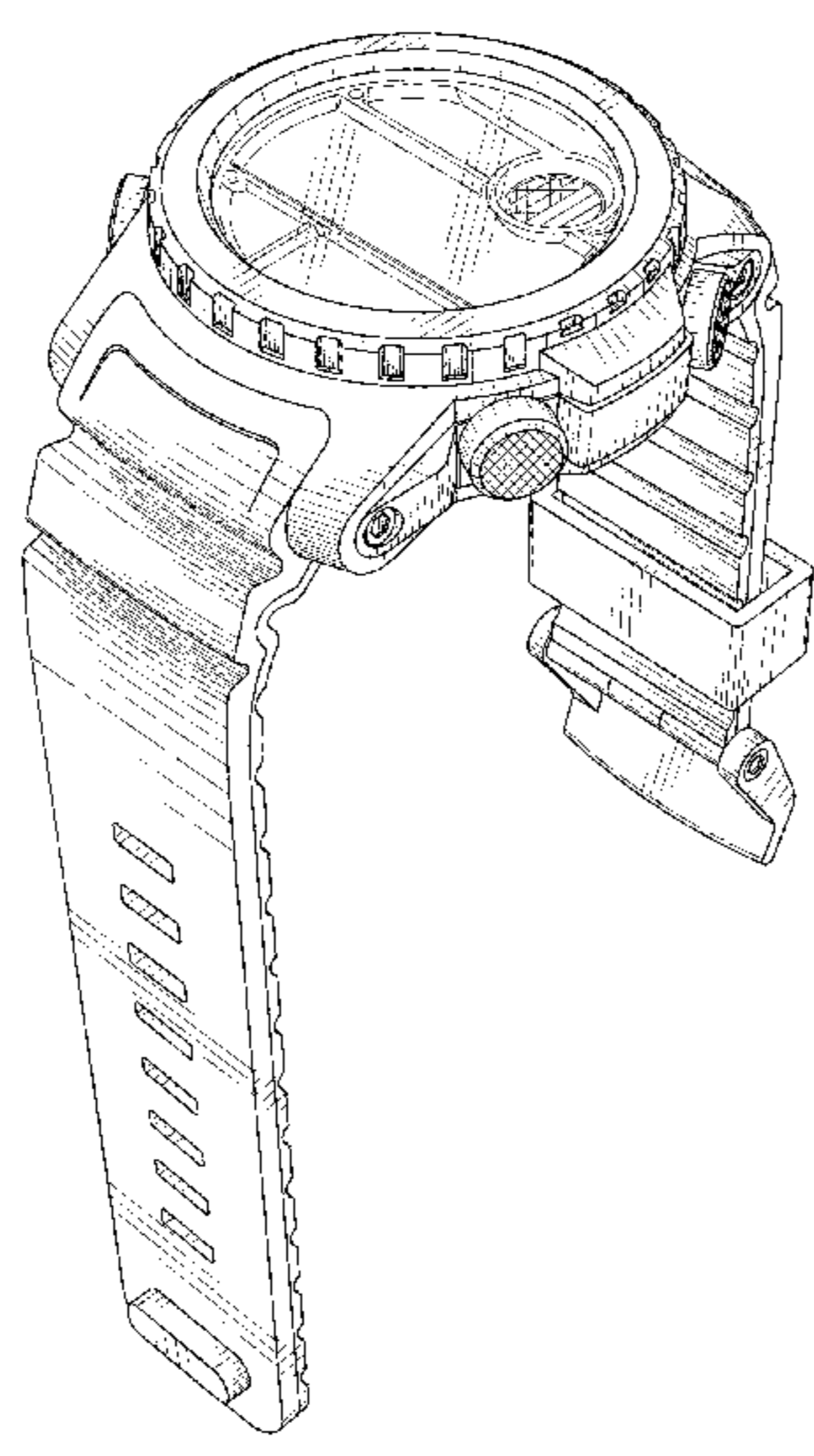
Primary Examiner — Sandra S Snapp
Assistant Examiner — Katherine Glennon
(74) *Attorney, Agent, or Firm* — NorthStar Law Group;
Thomas Bassolino

(57) **CLAIM**
The ornamental design for a watch, as shown and described.

DESCRIPTION

FIG. 1 is a front right perspective view of a watch showing our new design;
FIG. 2 is a front elevation view thereof;
FIG. 3 is a back elevation view thereof;
FIG. 4 is a left side view thereof;
FIG. 5 is a right side view thereof;
FIG. 6 is a top view thereof; and,
FIG. 7 is a bottom view thereof.

1 Claim, 6 Drawing Sheets



(56)

References Cited

U.S. PATENT DOCUMENTS

D761,133 S * 7/2016 Nunes D10/128
D764,490 S * 8/2016 O'Shea D14/485
D766,741 S * 9/2016 Tschumi D10/30
D782,338 S * 3/2017 White D10/39

OTHER PUBLICATIONS

Nixon Unit 40 Watch | posted at amazon.com; date first available
Jun. 10, 2013 © 1996-2017 Amazon.com, Inc. [online][site visited
Oct. 24, 2017]. Available from Internet: <[https://www.amazon.com/
Unit-40-Light-Blue-A490302-00/dp/B00CL3Z68A](https://www.amazon.com/Unit-40-Light-Blue-A490302-00/dp/B00CL3Z68A)> (Year:
2013).*

* cited by examiner

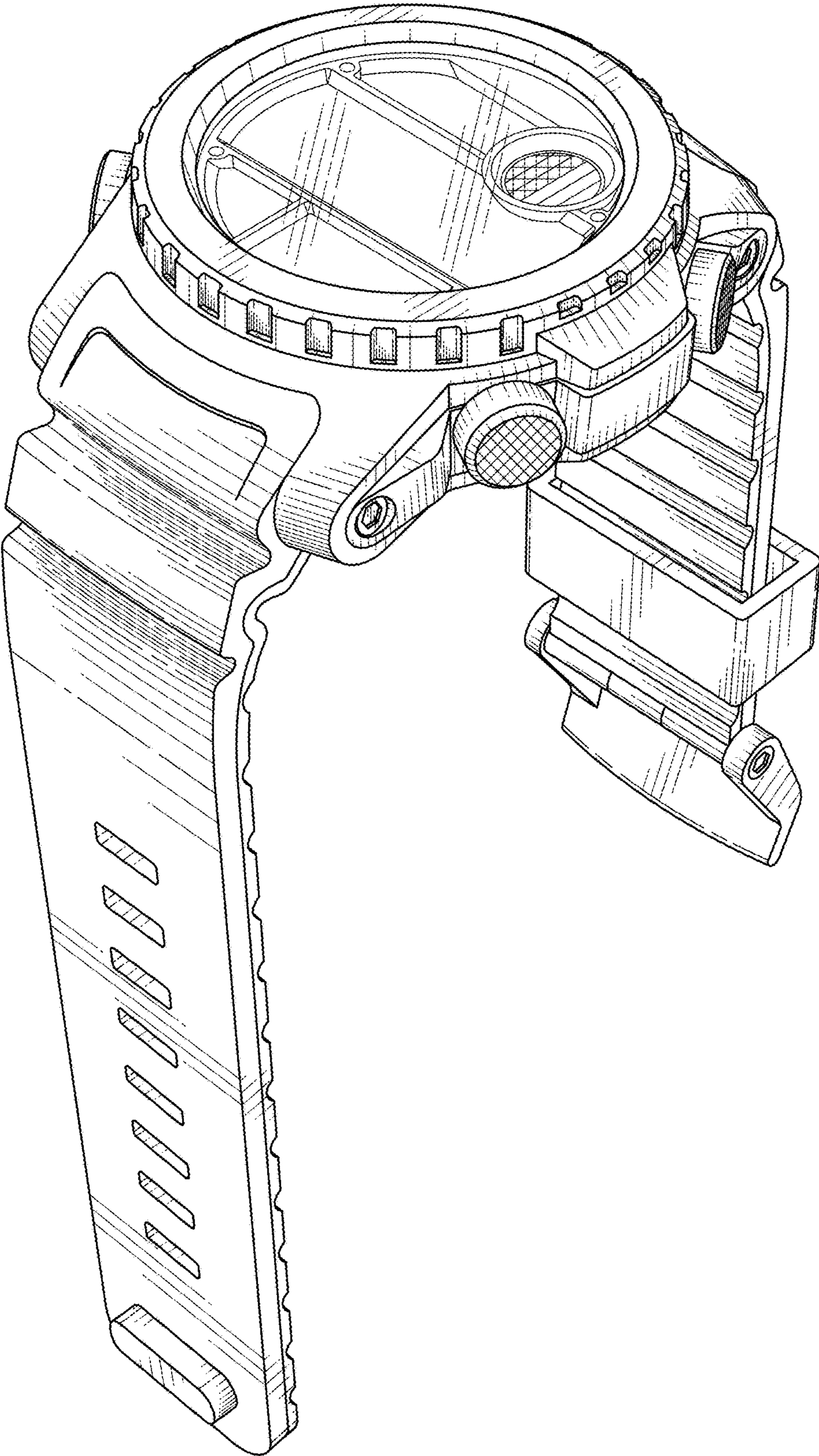


FIG. 1

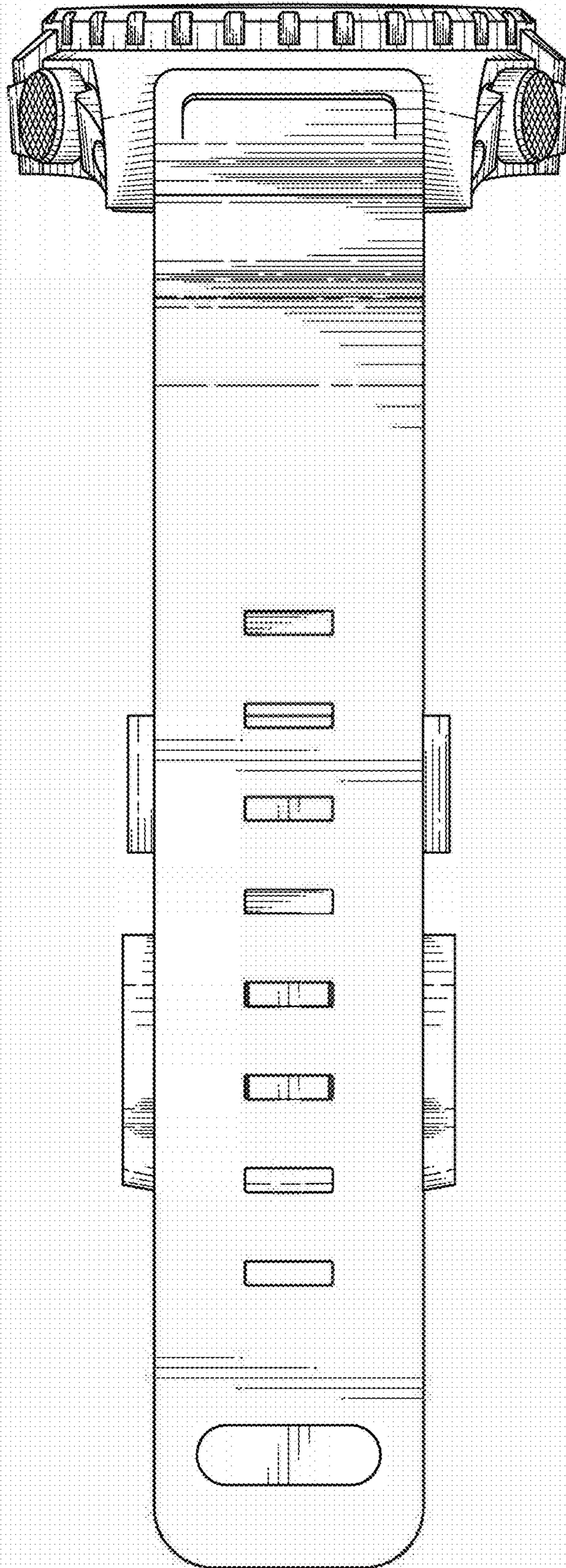


FIG. 2

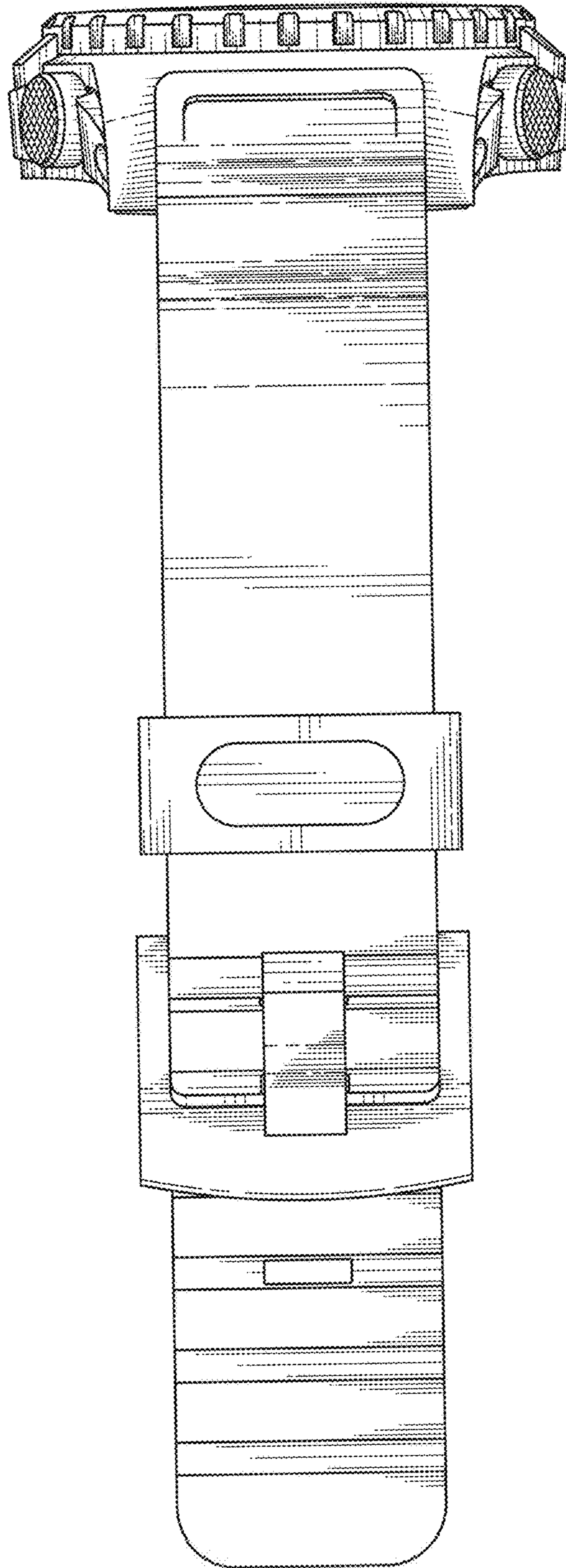


FIG. 3

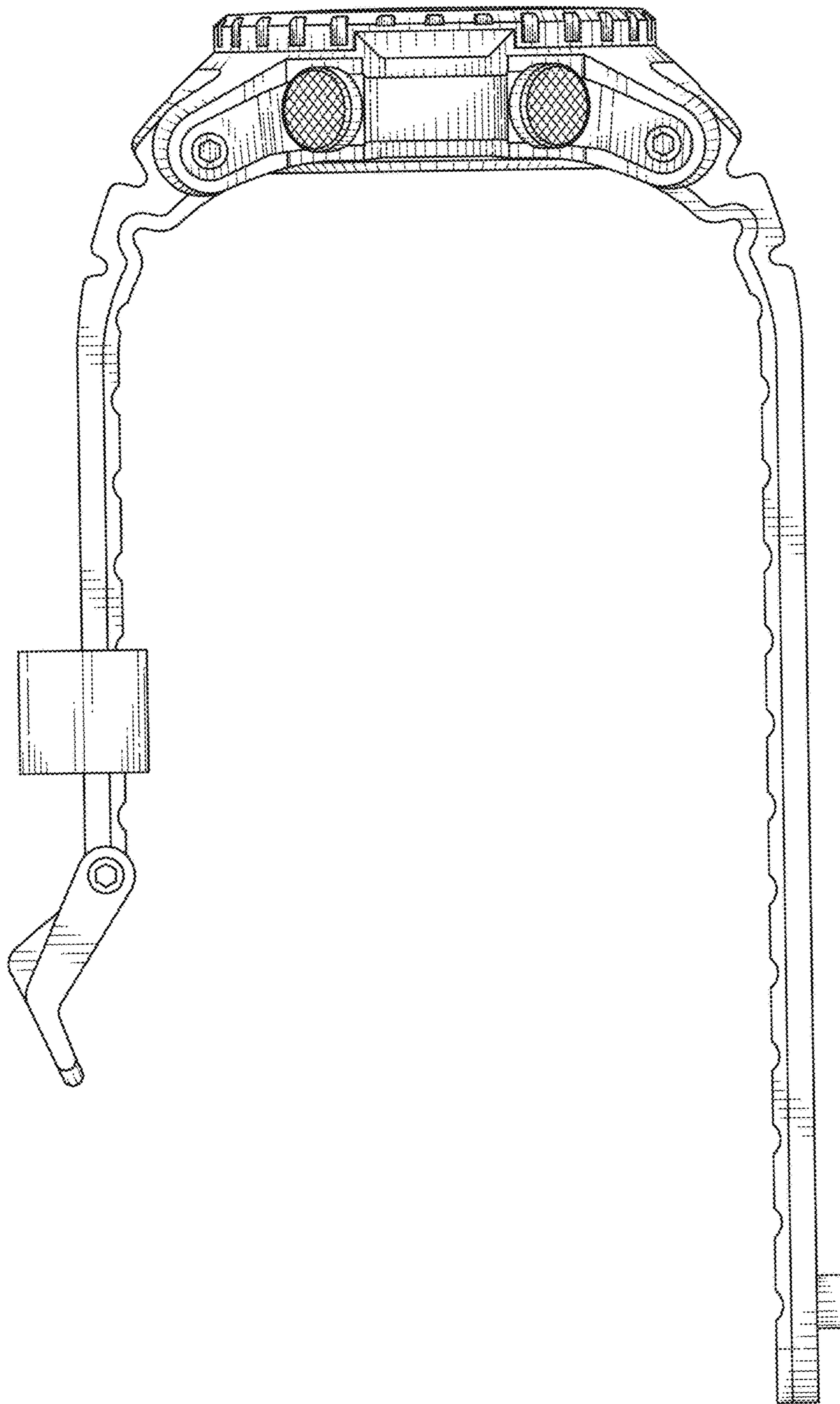


FIG. 4

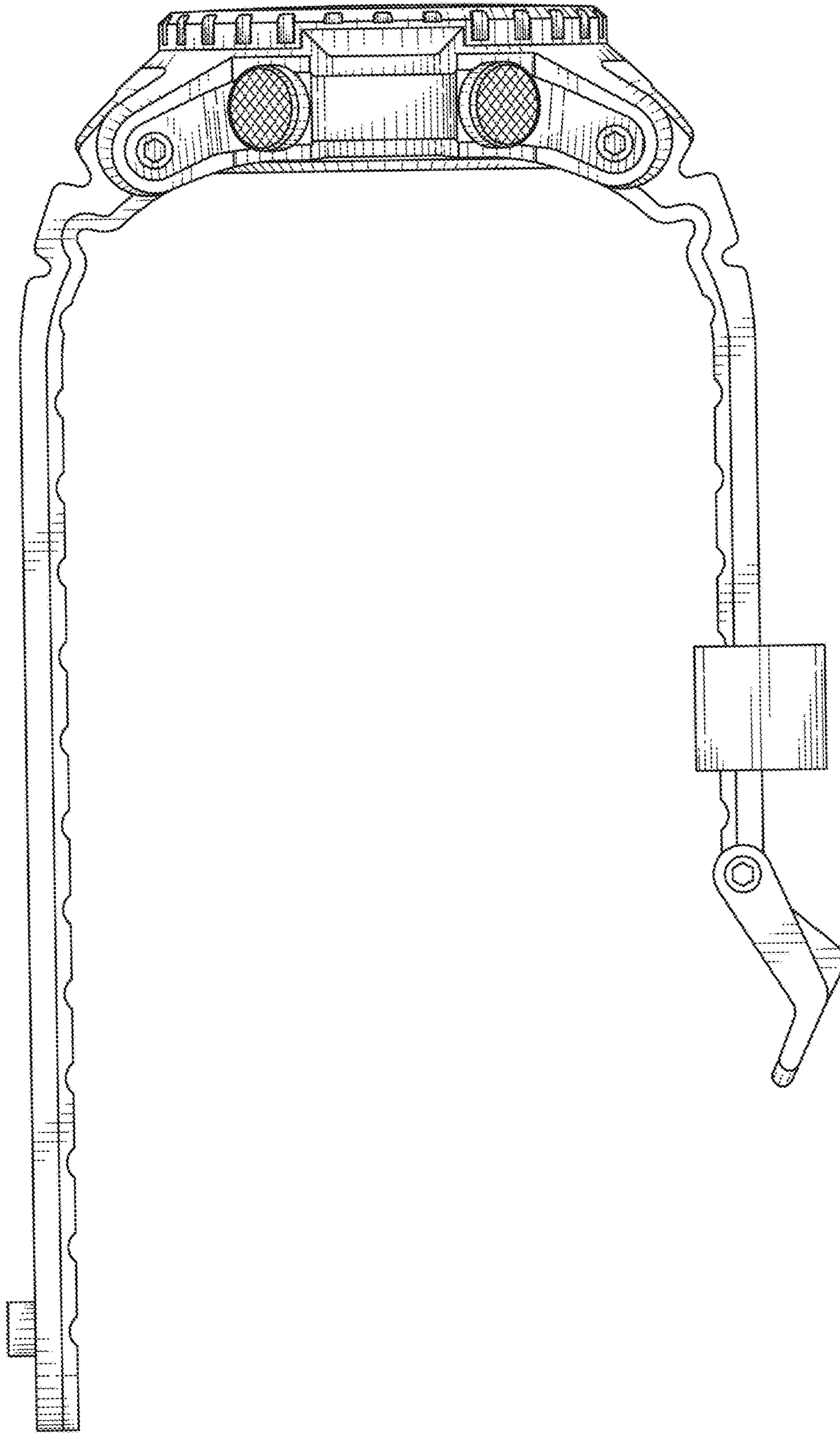


FIG. 5

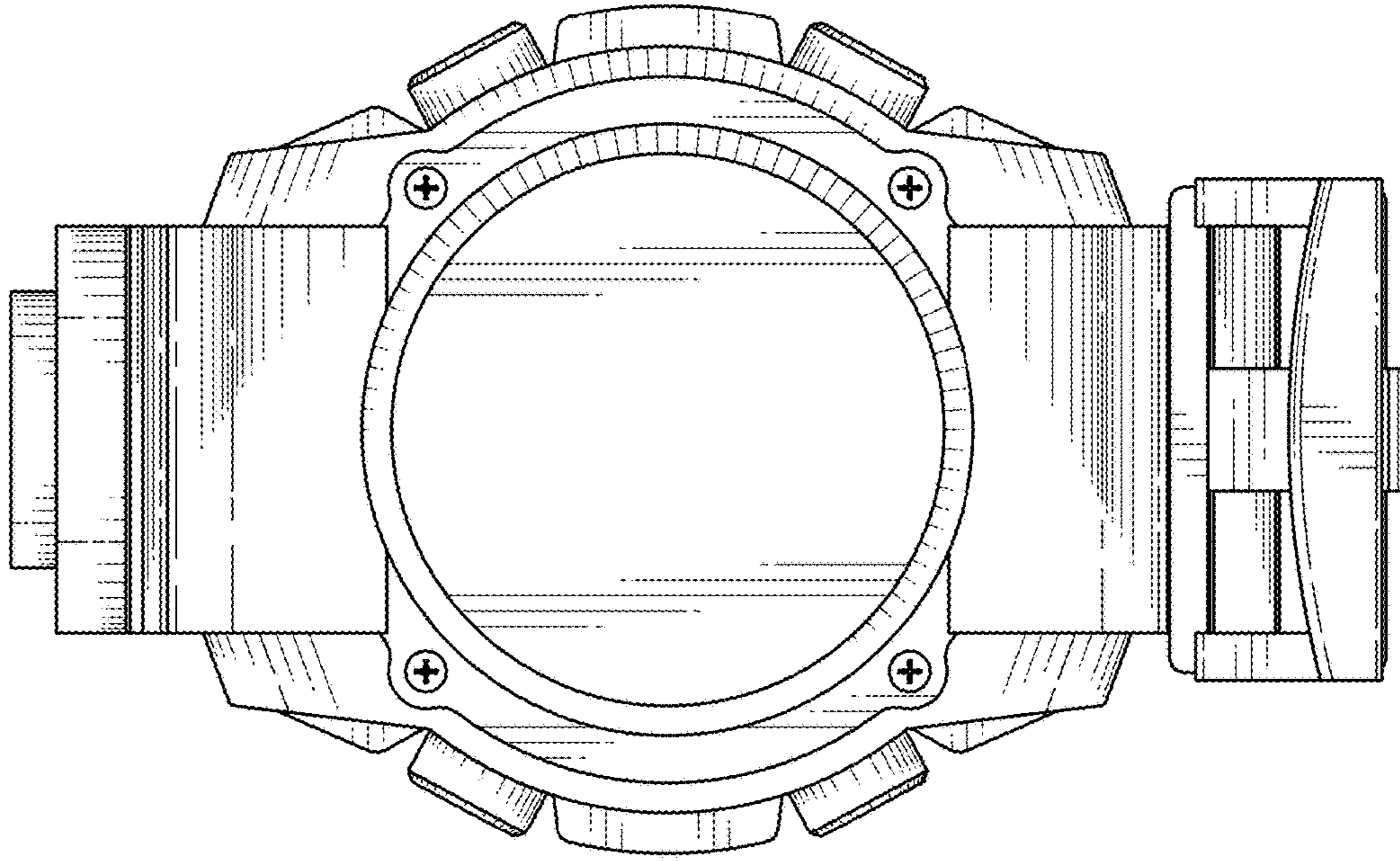


FIG. 7

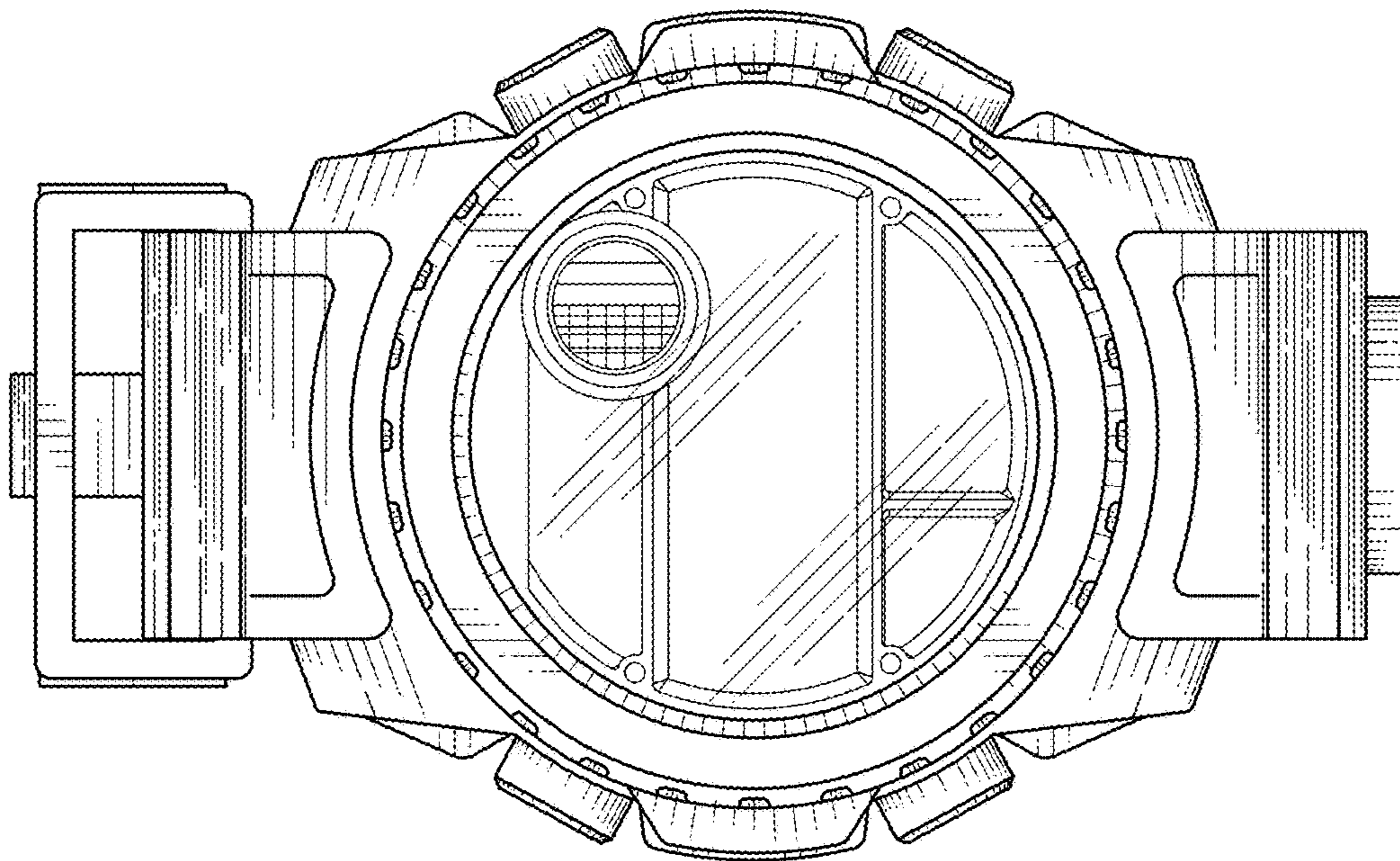


FIG. 6