



US00D814941S

(12) **United States Design Patent**
Conrardy

(10) **Patent No.:** **US D814,941 S**
(45) **Date of Patent:** **** Apr. 10, 2018**

- (54) **PACKAGE HAVING TWO POUCHES**
- (71) Applicant: **Diversey, Inc.**, Duncan, SC (US)
- (72) Inventor: **John Conrardy**, Burlington, WI (US)
- (73) Assignee: **Diversey, Inc.**, Charlotte, NC (US)
- (**) Term: **15 Years**
- (21) Appl. No.: **29/537,961**
- (22) Filed: **Aug. 31, 2015**
- (51) **LOC (11) Cl.** **09-03**
- (52) **U.S. Cl.**
USPC **D9/737**; D9/708
- (58) **Field of Classification Search**
USPC D9/702-714, 720-722, 414, 434, 435,
D9/696, 716, 771, 447, 516, 517, 738,
D9/747, 544; D24/118, 207; D3/202;
206/484; 229/406; 383/6, 9, 22, 96,
383/61.1, 80, 81, 104, 901, 63, 203, 107,
383/119, 120, 123; 222/107, 92, 206;
604/408, 410, 403; 220/495.03, 675;
215/381-385, 400; 428/34.3
CPC A61J 1/2093; A61J 1/10; B65D 75/008;
B65D 81/3261; B65D 31/12; B65D
75/48; B65D 75/5861; B29L 2031/7148;
B01L 2200/16; B01L 2400/0481; B01L
2400/0683; B01L 3/505; B01L 3/00;
B65B 43/465; G01N 33/18
See application file for complete search history.

(56) **References Cited**

U.S. PATENT DOCUMENTS

- 2,962,192 A * 11/1960 Volckening B65D 75/32
222/107
- D220,086 S * 3/1971 Benech D9/415
- 3,585,982 A * 6/1971 Hollinshead A45D 27/02
126/263.1
- 4,458,811 A * 7/1984 Wilkinson A61J 1/2093
206/219

- 4,921,137 A * 5/1990 Heijenga B65D 75/5811
206/469
- 5,114,004 A * 5/1992 Isono A61J 1/2093
206/222
- D341,157 S * 11/1993 Kitahara 347/86
- 5,257,985 A * 11/1993 Puhl A61J 1/2093
206/221
- D342,442 S * 12/1993 Smith D9/416
- 5,267,646 A * 12/1993 Inoue A61J 1/2093
206/204

(Continued)

OTHER PUBLICATIONS

StandOut Floor Finish by Diversey (via medline), available Dec. 21, 2016, [online], [site visited Dec. 21, 2016]. Available from internet, <URL: <http://www.medline.com/product/StandOut-Floor-Finish-by-Diversey/Z05-PF137507#>>.*

(Continued)

Primary Examiner — Cathron C Brooks
Assistant Examiner — W. A. Teddy Falloway
(74) *Attorney, Agent, or Firm* — Andrew R. Aranda

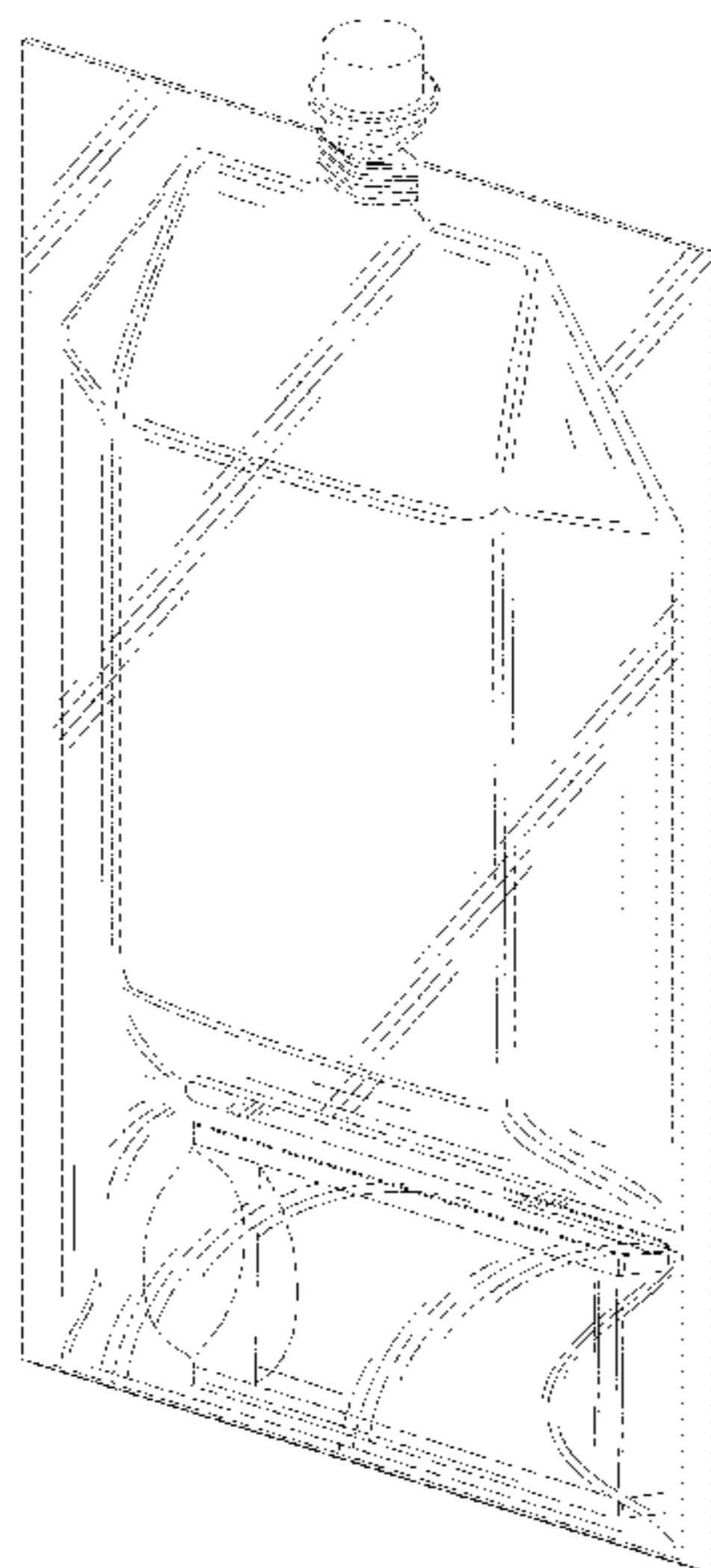
(57) **CLAIM**

The ornamental design for a package having two pouches, as shown and described.

DESCRIPTION

FIG. 1 is a top and right side perspective view of a package having two pouches;
FIG. 2 is a top plan view thereof;
FIG. 3 is a bottom plan view thereof;
FIG. 4 is a right side elevational view thereof;
FIG. 5 is a left side elevational view thereof;
FIG. 6 is a front elevational view thereof; and,
FIG. 7 is a rear elevational view thereof.
The broken lines shown in FIGS. 1-6 illustrate portions of the package having two pouches, and form no part of the claimed design.

1 Claim, 5 Drawing Sheets



(56)

References Cited

U.S. PATENT DOCUMENTS

D351,992 S * 11/1994 Jacques D9/696
 D356,502 S * 3/1995 Poandl D9/520
 D374,616 S * 10/1996 Smith D24/224
 D379,520 S * 5/1997 Stevens D24/224
 D381,263 S * 7/1997 O'Brien D9/415
 D388,168 S * 12/1997 Barney D24/118
 D398,054 S * 9/1998 Eek D24/118
 5,853,388 A * 12/1998 Semel A61J 1/2093
 141/9
 D408,533 S * 4/1999 Niedospial, Jr. D24/118
 D412,665 S * 8/1999 Smith D9/434
 D439,328 S * 3/2001 Nielsen D24/118
 6,484,874 B1 * 11/2002 Kageyama A61J 1/2093
 206/219
 D471,436 S * 3/2003 Robin Marieton D9/705
 6,684,414 B1 * 2/2004 Rehrig A47K 11/12
 4/144.1
 D496,583 S * 9/2004 Berman D9/708
 D498,137 S * 11/2004 Berman D9/708
 D502,092 S * 2/2005 Berman D9/708
 7,207,970 B2 * 4/2007 Hasegawa A61J 1/1437
 206/221
 D552,235 S * 10/2007 Inoue D24/118
 D585,545 S * 1/2009 Carrio D24/127
 D600,796 S * 9/2009 Inoue D24/118
 D604,636 S * 11/2009 McMorris D9/708
 D642,465 S * 8/2011 Flank D9/443
 8,251,568 B2 * 8/2012 Burkard B65D 75/5805
 206/222
 8,336,705 B2 * 12/2012 Okahisa A61J 1/2093
 206/219
 D686,088 S * 7/2013 Murray D9/708
 D697,817 S * 1/2014 Giannelli D9/696
 D707,134 S * 6/2014 Simpson D9/709
 D715,637 S * 10/2014 Caminada D9/416
 D727,169 S * 4/2015 Pease D9/708
 D727,748 S * 4/2015 Murray D9/710
 9,169,055 B1 * 10/2015 Gwen B65D 81/266
 D764,312 S * 8/2016 Nishijima D9/710
 9,440,779 B1 * 9/2016 Hach B65D 75/527
 D769,731 S * 10/2016 Allen D9/708
 D772,075 S * 11/2016 Bell D9/708
 D777,323 S * 1/2017 Honda D24/118
 D784,519 S * 4/2017 Nordquist D24/118
 D784,521 S * 4/2017 Nordquist D24/118
 D785,165 S * 4/2017 Nordquist D24/118
 D786,697 S * 5/2017 Dytchkowskyj D9/708
 D787,341 S * 5/2017 Schultz D9/707

D789,216 S * 6/2017 Huber D9/709
 D789,799 S * 6/2017 Kiechel D9/707
 2004/0118710 A1 * 6/2004 Bourque B29C 65/76
 206/219
 2005/0087456 A1 * 4/2005 Oka A61J 1/2093
 206/219
 2006/0093765 A1 * 5/2006 Mueller A61J 1/2093
 428/35.2
 2006/0196784 A1 * 9/2006 Murray B65B 43/465
 206/219
 2007/0047851 A1 * 3/2007 Sato B29C 45/14336
 383/104
 2007/0278114 A1 * 12/2007 Kane B65D 75/5883
 206/219
 2009/0131903 A1 * 5/2009 Shoji A61J 1/2093
 604/410
 2015/0003758 A1 * 1/2015 Warrington B65D 75/008
 383/125
 2015/0079688 A1 * 3/2015 Kahaian B01L 3/523
 436/79
 2015/0158635 A1 * 6/2015 Gum B65D 75/008
 383/25
 2015/0210436 A1 * 7/2015 Murray B65D 31/12
 383/38
 2015/0307233 A1 * 10/2015 Murray B65D 31/12
 383/38
 2016/0039575 A1 * 2/2016 Murray B65D 27/08
 206/204
 2016/0114960 A1 * 4/2016 Park B65D 81/3266
 206/222
 2016/0207685 A1 * 7/2016 Stuck B65D 77/20
 2017/0144822 A1 * 5/2017 Murray B65D 81/3266

OTHER PUBLICATIONS

StandOut Burst Instructions (via vimeo), available Dec. 21, 2015, [online], [site visited Dec. 21, 2016]. Video available from internet, <URL: <https://vimeo.com/125156072>.*

Duplex Drug-Delivery Pouch (via Packaging Digest), available Aug. 31, 2003, [online], [site visited Dec. 21, 2016]. Available from internet, <URL: <http://www.packagingdigest.com/pouches/duplex-drug-delivery-pouch>.*

“Pouches power protein powder portability, drinkability” (via Packaging Digest), available May 12, 2016, [online], [site visited Dec. 21, 2016]. Available from internet, <URL: <http://www.packagingdigest.com/pouches/protein-pouches-perfected-for-powdered-portability-drinkability1506>.*

* cited by examiner

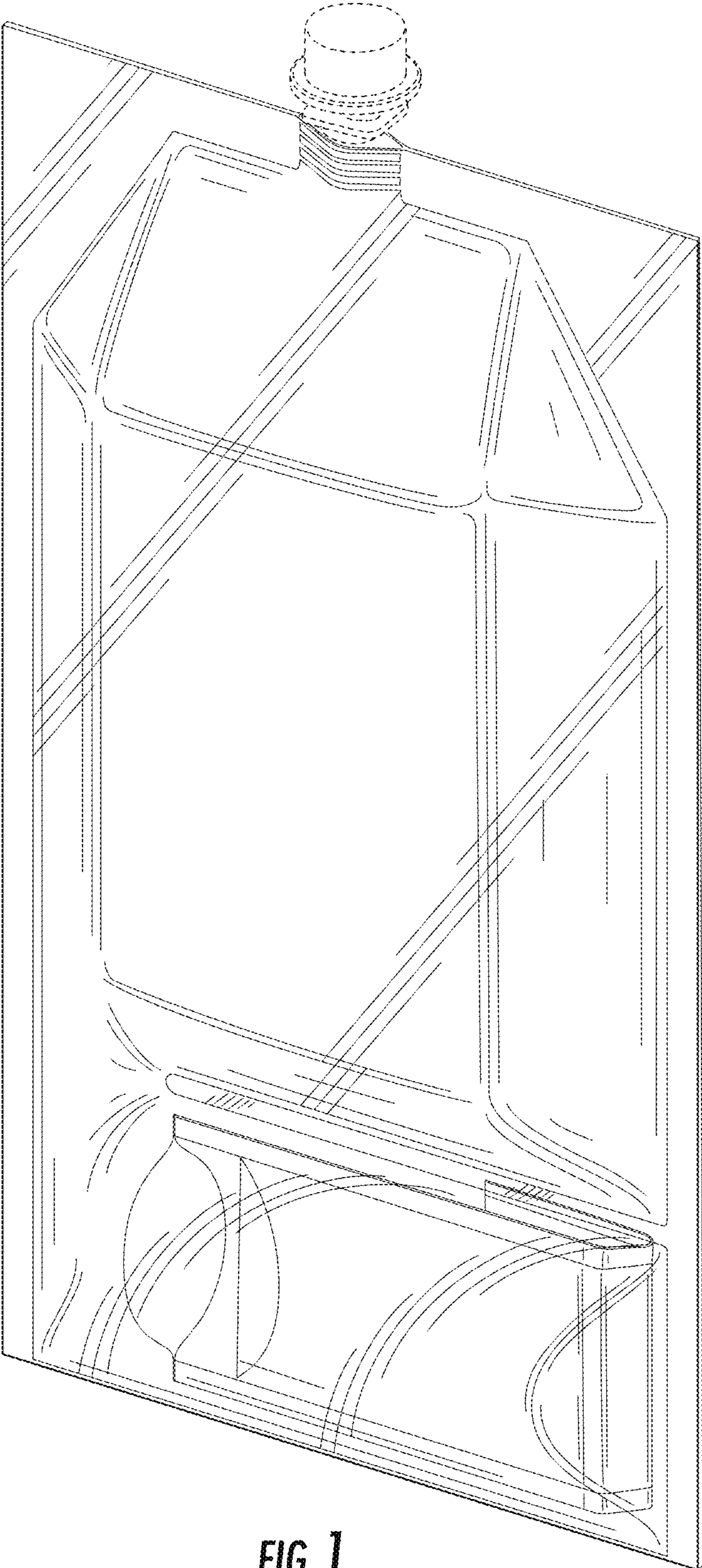


FIG. 1

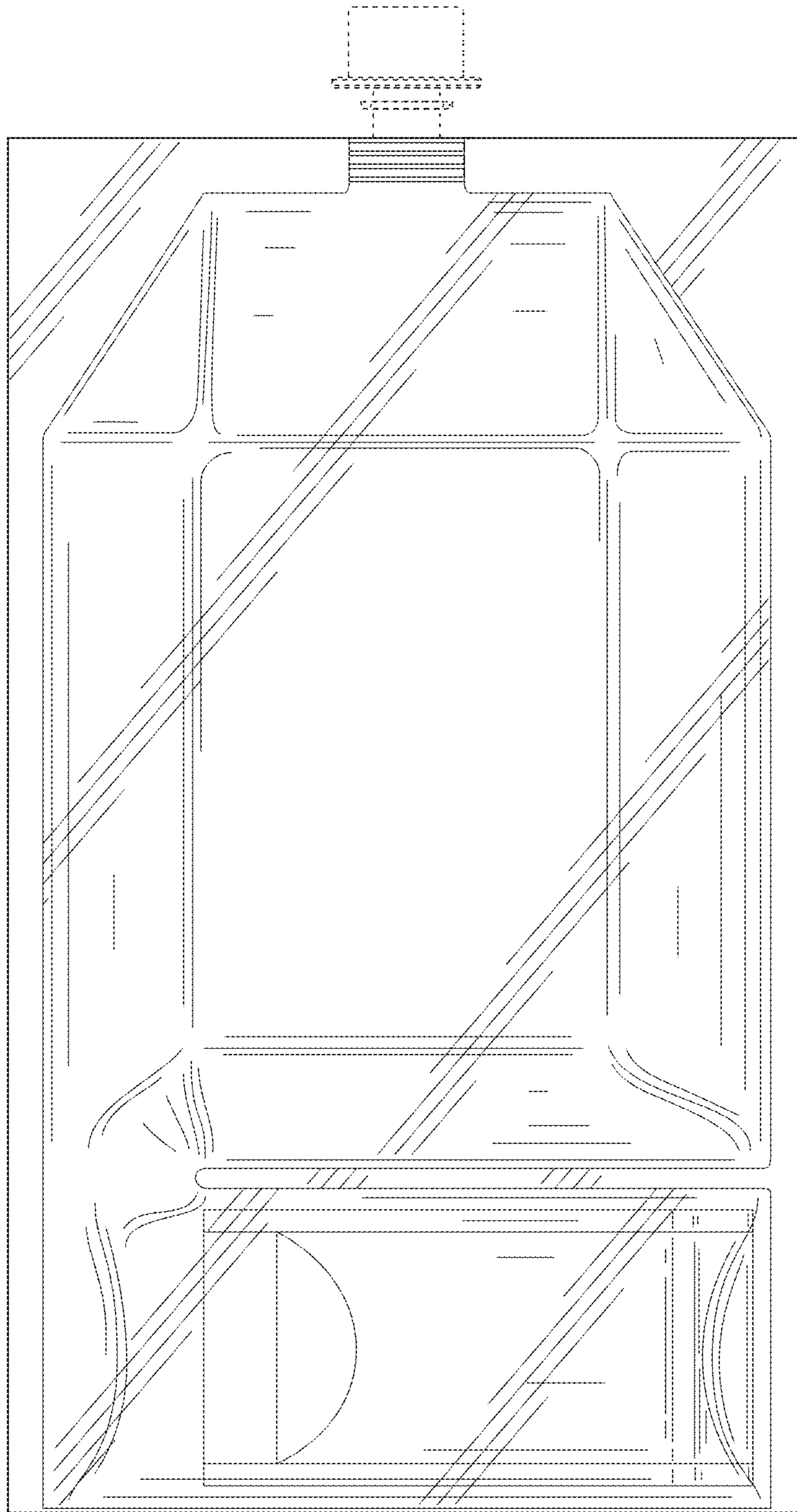


FIG. 2

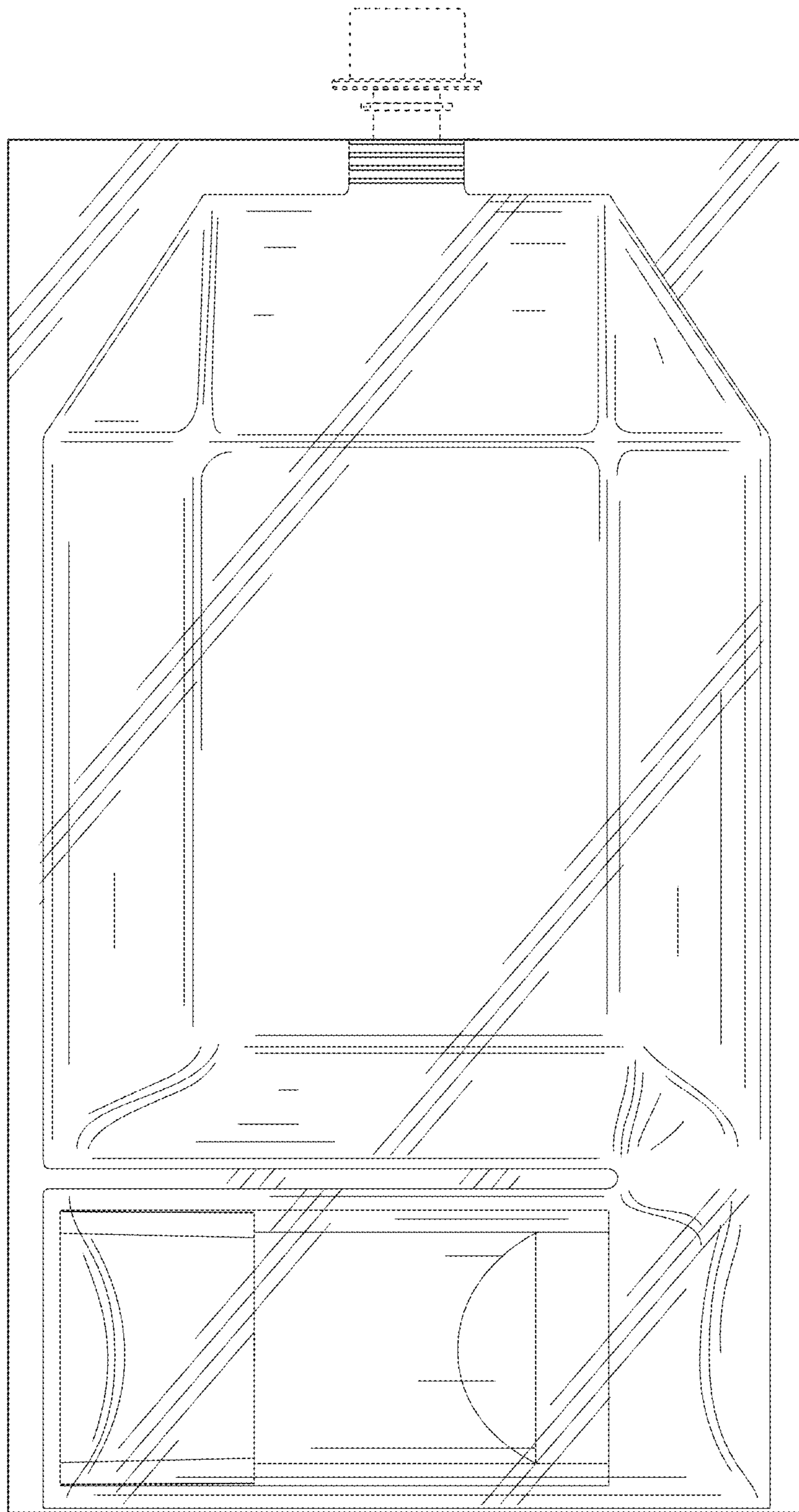


FIG. 3

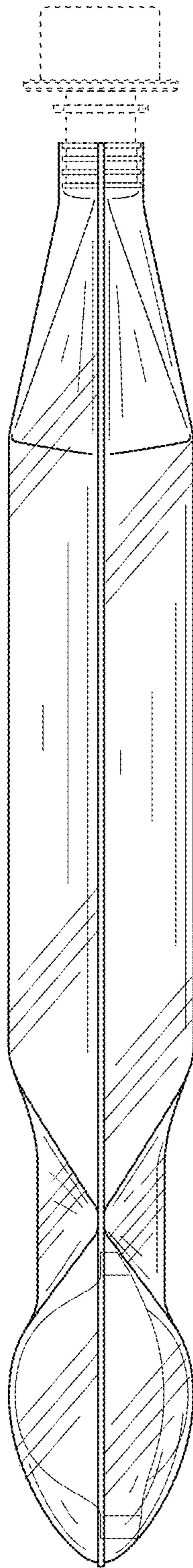


FIG. 4

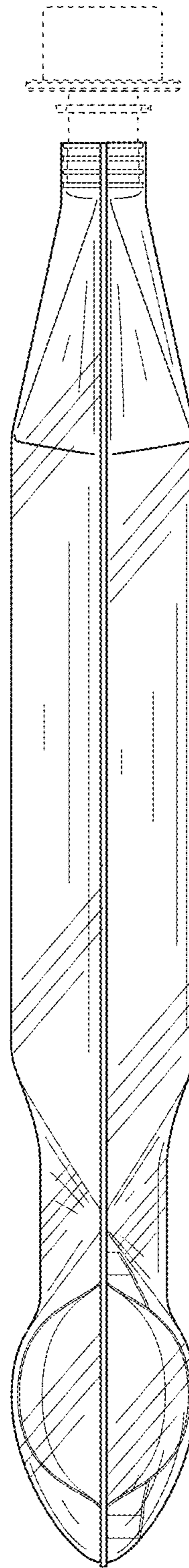


FIG. 5

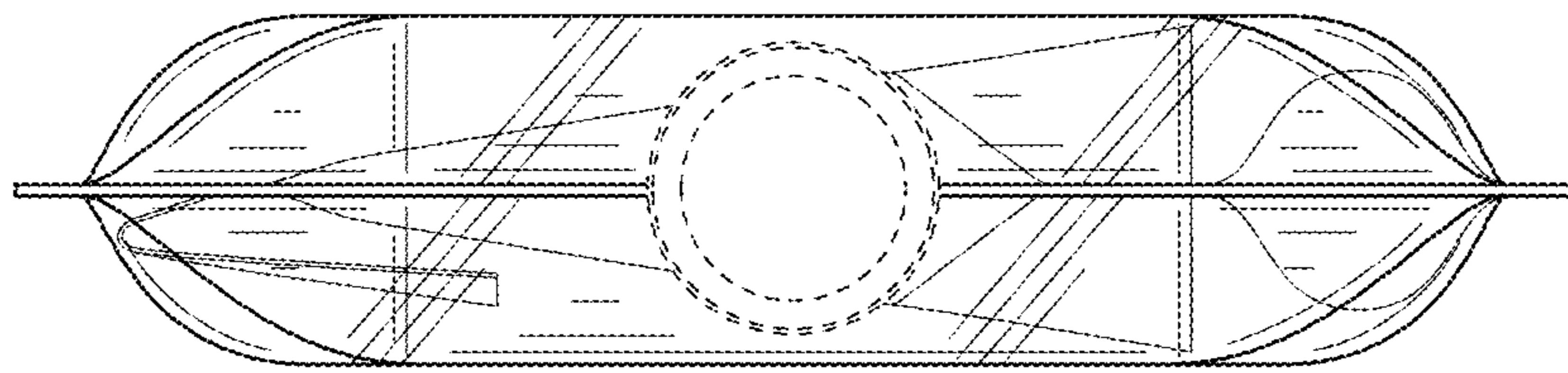


FIG. 6

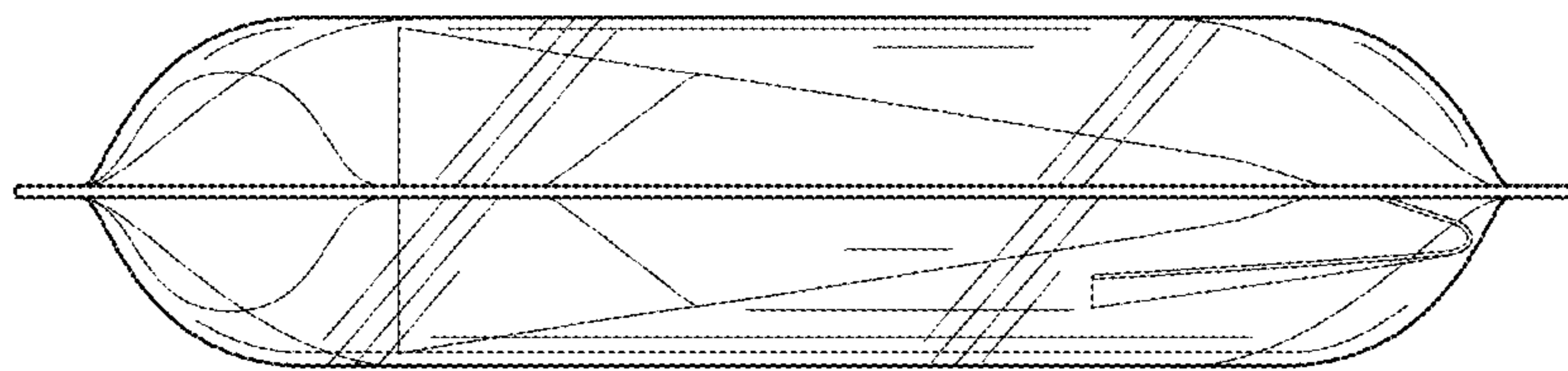


FIG. 7