



US00D814935S

(12) **United States Design Patent**
Ungrady

(10) **Patent No.:** **US D814,935 S**
(45) **Date of Patent:** **** Apr. 10, 2018**

(54) **CONTAINER**

(71) Applicant: **GRAHAM PACKAGING COMPANY, L.P.**, York, PA (US)

(72) Inventor: **Eric B. Ungrady**, Mt. Wolf, PA (US)

(73) Assignee: **GRAHAM PACKAGING COMPANY, L.P.**, York, PA (US)

(**) Term: **15 Years**

(21) Appl. No.: **29/545,793**

(22) Filed: **Nov. 16, 2015**

(51) **LOC (11) Cl.** **09-01**

(52) **U.S. Cl.**
USPC **D9/542; D9/563**

(58) **Field of Classification Search**
USPC D9/516, 529-530, 541-543, 547,
D9/549-550, 558, 563, 571, 574-575,
D9/715, 719
CPC B65D 1/00; B65D 1/02; B65D 1/0223;
B65D 23/00; B65D 81/00; B65D
2501/00; B65D 2501/0009; B65D
2501/0081

See application file for complete search history.

(56) **References Cited**

U.S. PATENT DOCUMENTS

D262,778 S * 1/1982 Britt D9/542
D419,061 S * 1/2000 Croft D9/542

D427,914 S * 7/2000 Croft D9/542
D497,810 S * 11/2004 Maus D9/542
D498,680 S * 11/2004 Cleary D9/542
D511,970 S * 11/2005 Cleary D9/542
D513,189 S * 12/2005 Busa, Jr. D9/542
D527,645 S * 9/2006 Pedmo B65D 1/0223
D9/542
D533,069 S * 12/2006 Archeny D9/542
D536,619 S * 2/2007 Heisner D9/541
D537,355 S * 2/2007 Brauner D9/542
D616,756 S * 6/2010 Schlies D9/542
RE45,022 E * 7/2014 Graham D9/540

* cited by examiner

Primary Examiner — Dana L Meyrow

(74) *Attorney, Agent, or Firm* — Baker Botts L.L.P.

(57) **CLAIM**

The ornamental design for a container, as shown and described.

DESCRIPTION

FIG. 1 is a perspective view of a container showing my new design.

FIG. 2 is a front view of the container of FIG. 1.

FIG. 3 is a rear view of the container of FIG. 1.

FIG. 4 is a left side view of the container of FIG. 1.

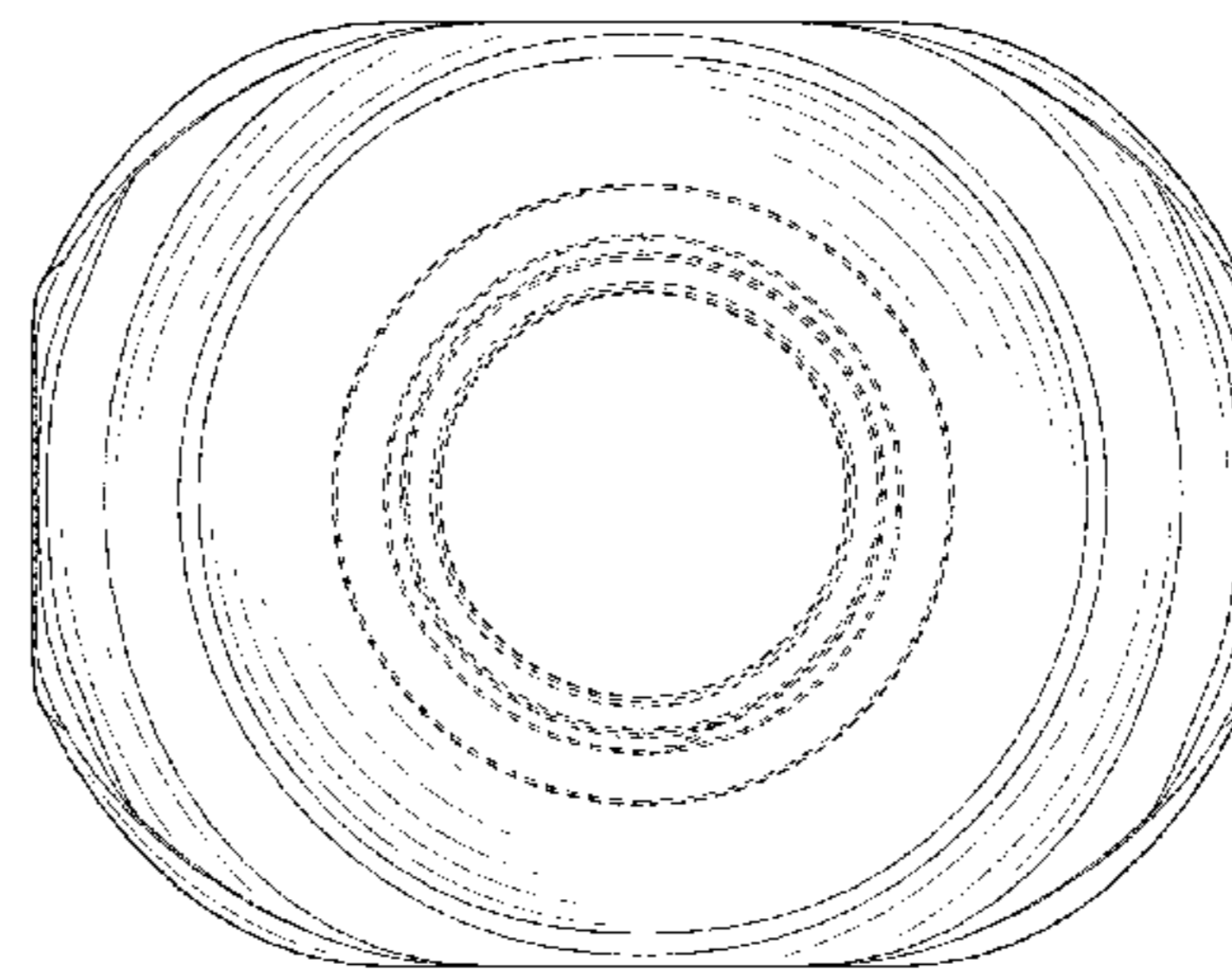
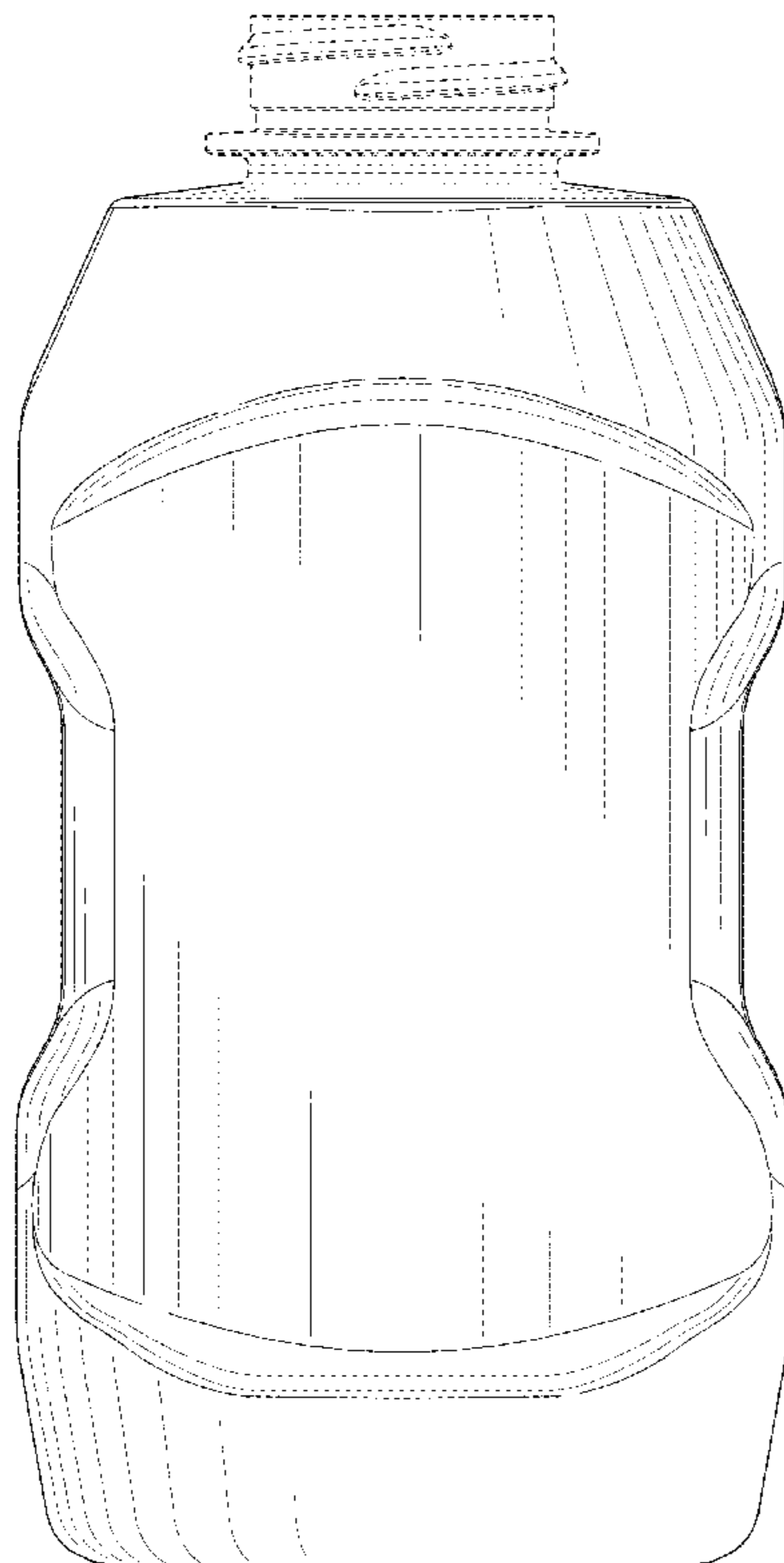
FIG. 5 is a right side view of the container of FIG. 1.

FIG. 6 is a top view of the container of FIG. 1; and,

FIG. 7 is a bottom view of the container of FIG. 1.

The broken lines in the drawings illustrate the portions of the container that form no part of the claim.

1 Claim, 7 Drawing Sheets



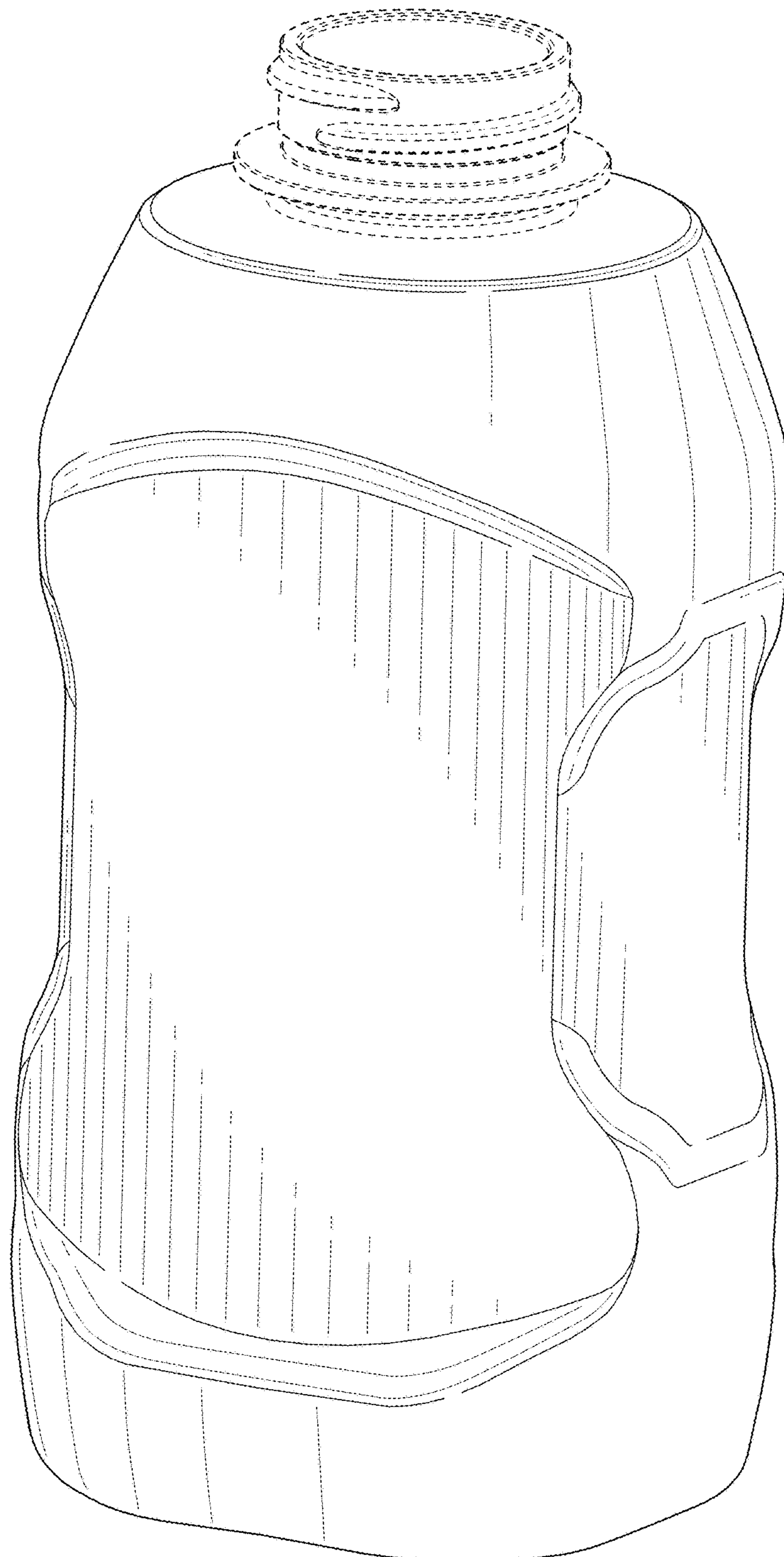


FIG. 1

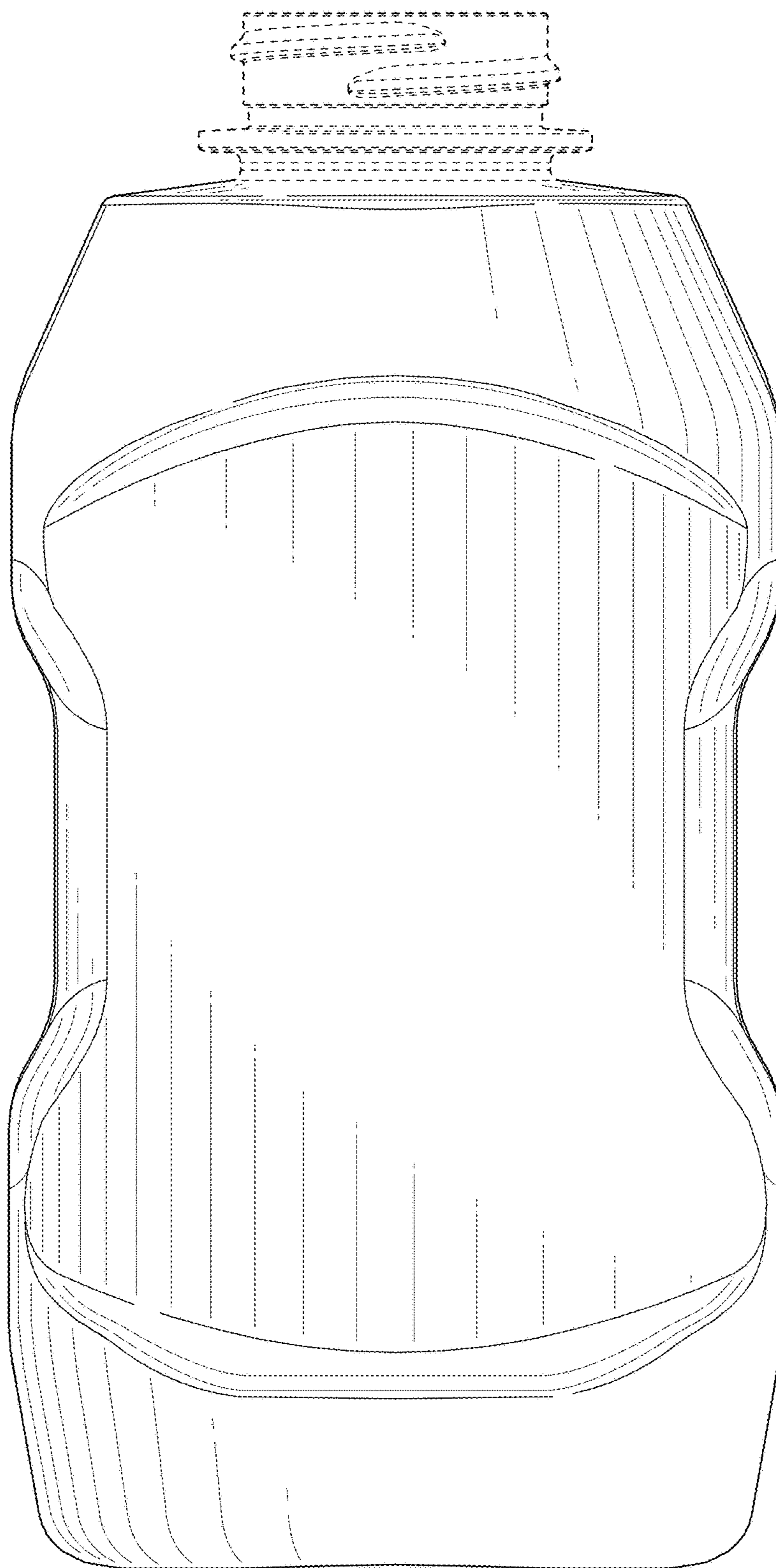


FIG. 2

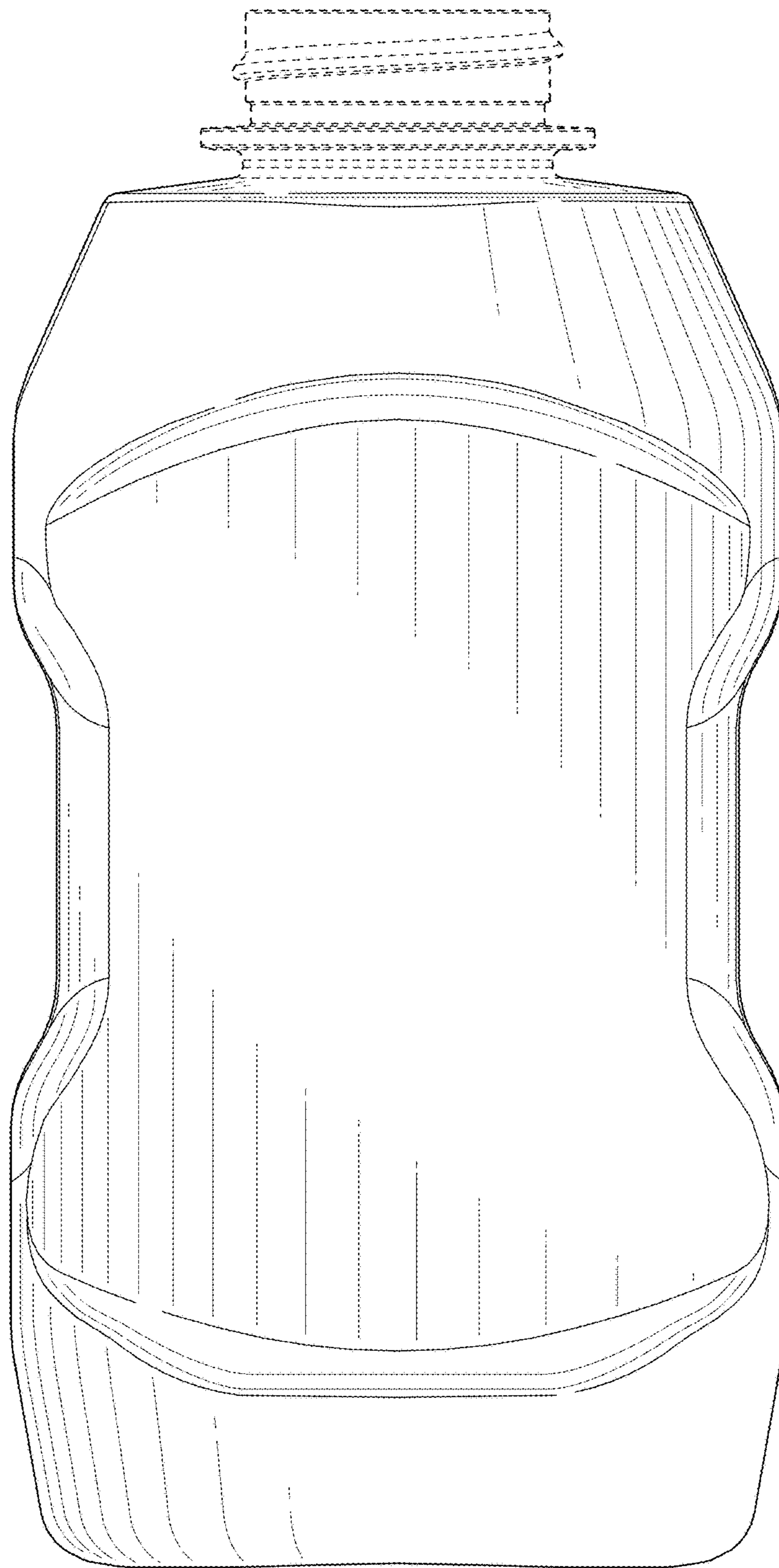


FIG. 3

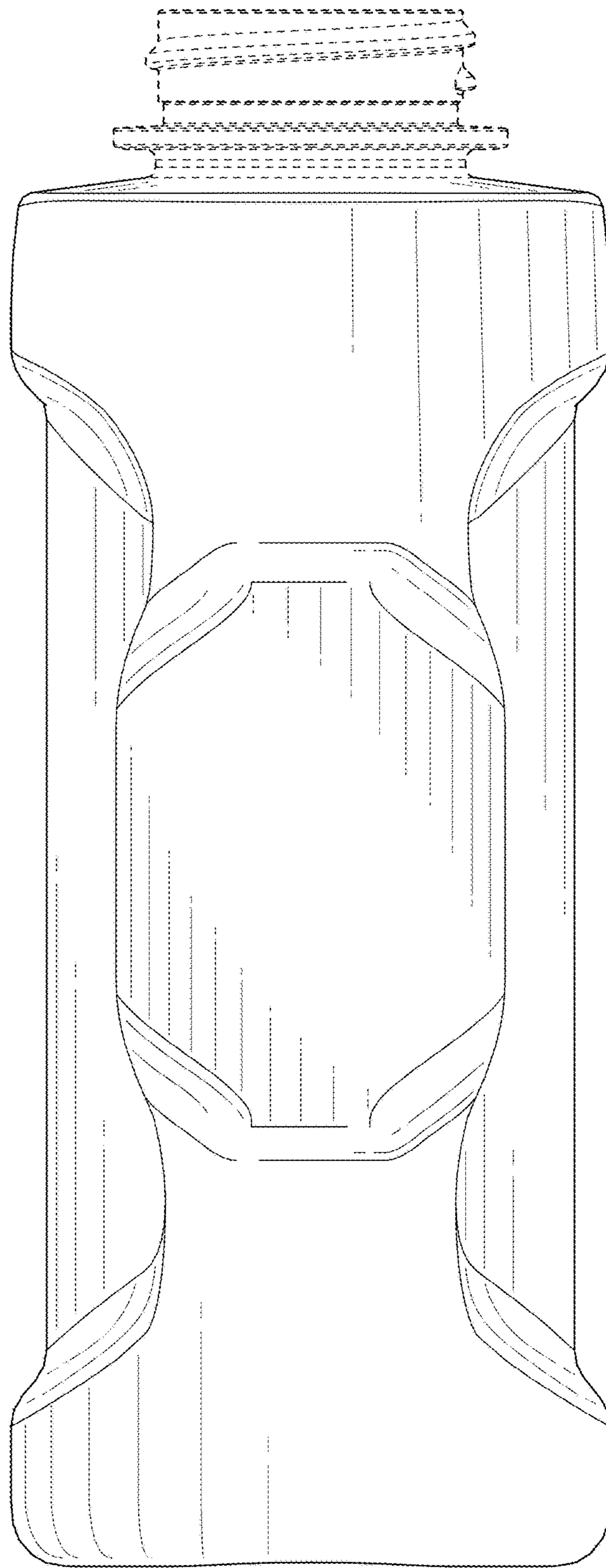


FIG. 4

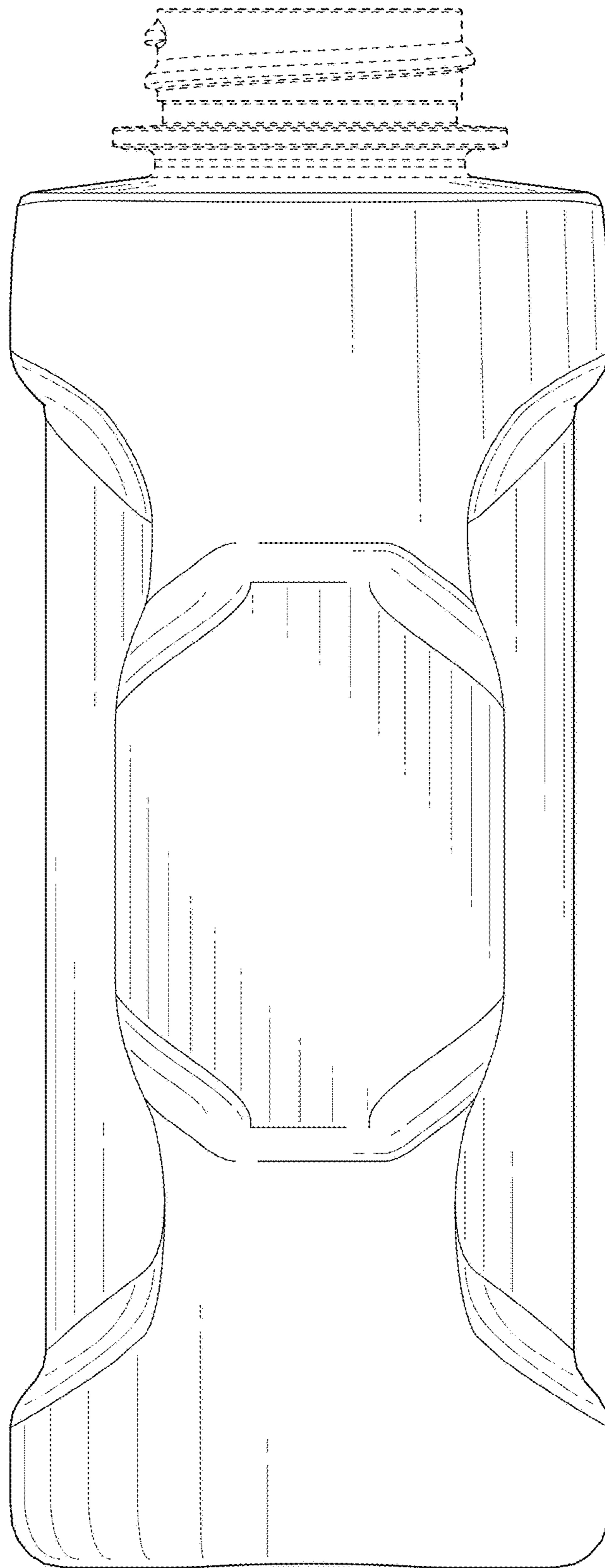


FIG. 5

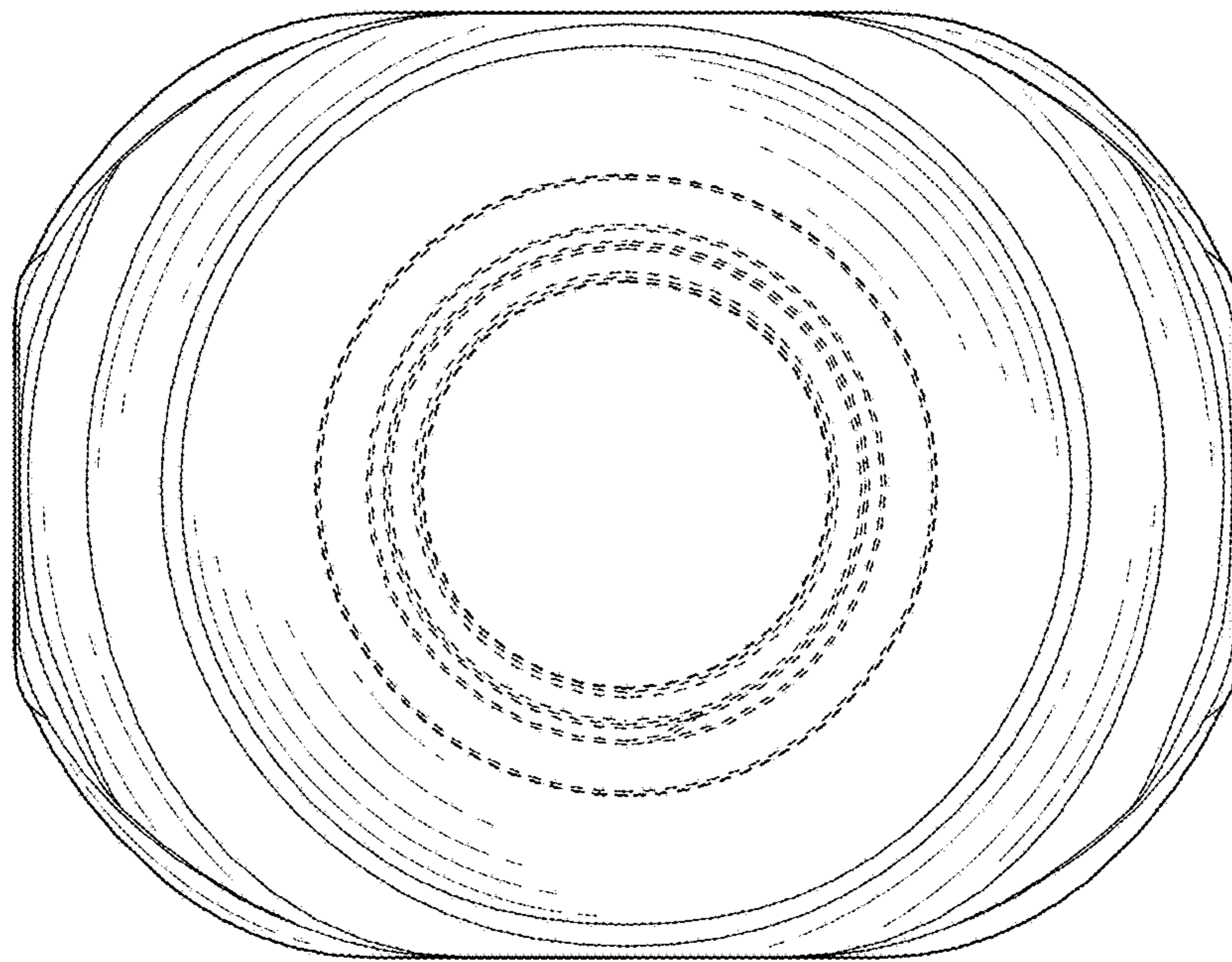


FIG. 6

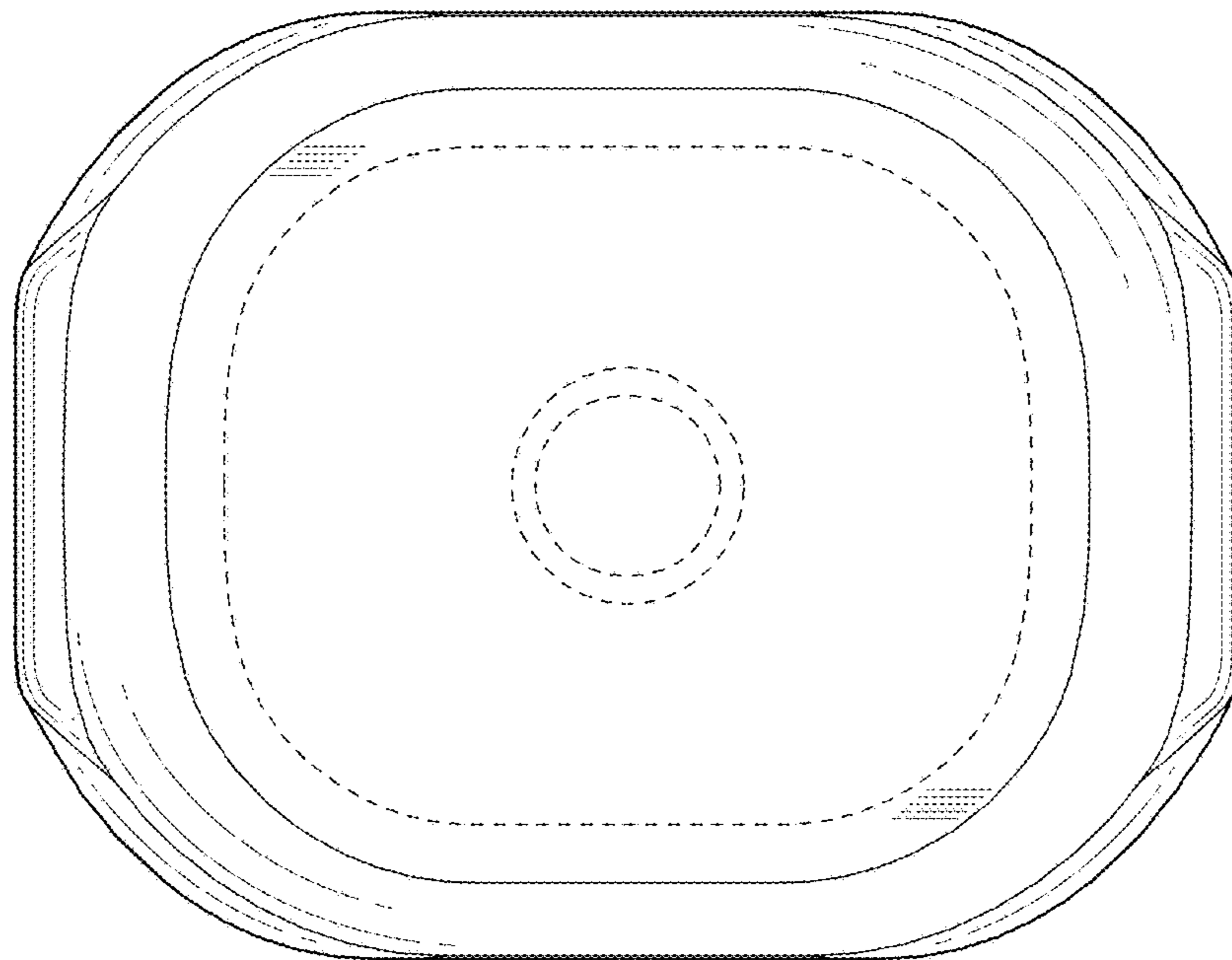


FIG. 7