



US00D814929S

(12) **United States Design Patent**  
**Bergeron et al.**

(10) **Patent No.:** **US D814,929 S**

(45) **Date of Patent:** **\*\* Apr. 10, 2018**

(54) **PACKING TRAY**

2577/205; B65B 1/04; A61B 50/00; A61B 2050/005; A45D 40/22

(71) Applicant: **Tekni-Plex, Inc.**, Wayne, PA (US)

See application file for complete search history.

(72) Inventors: **Mark A. Bergeron**, Monroe, GA (US);  
**Babu Kuruvilla**, Griffin, GA (US)

(56) **References Cited**

(73) Assignee: **Tekni-Plex, Inc.**, Wayne, PA (US)

U.S. PATENT DOCUMENTS

(\*\*) Term: **15 Years**

(21) Appl. No.: **29/587,073**

D164,302 S	8/1951	Harper	
D177,360 S *	4/1956	Becker et al. ....	126/9 A
2,843,496 A	7/1958	Attenburg et al.	
D183,318 S	8/1958	Martelli	
3,272,371 A *	9/1966	Weiner .....	B65D 1/36 206/443
3,420,395 A	1/1969	Boyd et al.	
3,464,618 A	9/1969	Martelli	
3,676,159 A *	7/1972	Fallowfield .....	B65D 1/36 206/205
3,853,221 A	12/1974	Boyd	
D241,403 S *	9/1976	Holmquist et al. ....	D7/357
D293,193 S *	12/1987	Vandervoort .....	D7/354
4,784,267 A *	11/1988	Gessler .....	B65D 1/36 206/370

(22) Filed: **Dec. 9, 2016**

(51) **LOC (11) Cl.** ..... **09-03**

(52) **U.S. Cl.**

USPC ..... **D9/456**

(58) **Field of Classification Search**

USPC ..... D3/272, 273, 302, 304, 309, 310, 313,  
D3/315, 319, 901, 903, 904; D6/524,  
D6/532, 536, 672, 683, 691, 704;  
D7/323, 354, 359, 360, 396.1, 412, 417,  
D7/500, 505, 513, 538-545, 550.1, 552.1,  
D7/553.1, 553.2, 553.7, 554.1, 584, 586,  
D7/600.1, 601, 602, 610, 614, 615, 629,  
D7/698, 701; D9/414, 415, 416, 418,  
D9/420, 423, 424, 425, 432, 433, 434,  
D9/435, 456, 457, 500, 502-505, 516,  
D9/549, 552, 556, 561, 571, 600, 652,  
D9/702, 713, 748, 759, 760, 761, 770,  
D9/901, 90; D19/1, 27, 28; D24/127,  
D24/216, 224, 227, 228, 229, 230

CPC .... A47J 9/00; A47J 27/00; A47J 27/10; A47J  
37/00; A47J 37/01; A47J 37/04; A47J  
37/06; A47J 37/10; A47J 43/00; B65D  
1/243; B65D 1/36; B65D 1/0223; B65D  
1/34; B65D 2501/24019; B65D  
2501/24165; B65D 2501/24152; B65D  
11/18; B65D 85/30; B65D 85/32; B65D  
1/04; B65D 5/4204; B65D 5/706; B65D  
5/705; B65D 15/08; B65D 65/22; B65D

(Continued)

*Primary Examiner* — Jennifer Rivard

*Assistant Examiner* — Catherine S Posthauer

(74) *Attorney, Agent, or Firm* — Polsinelli PC

(57) **CLAIM**

The ornamental design for a packing tray, as shown and described.

**DESCRIPTION**

FIG. 1 is a top right perspective view of a packing tray according to our new design.

FIG. 2 is a top plan view thereof.

FIG. 3 is a right end elevational view thereof.

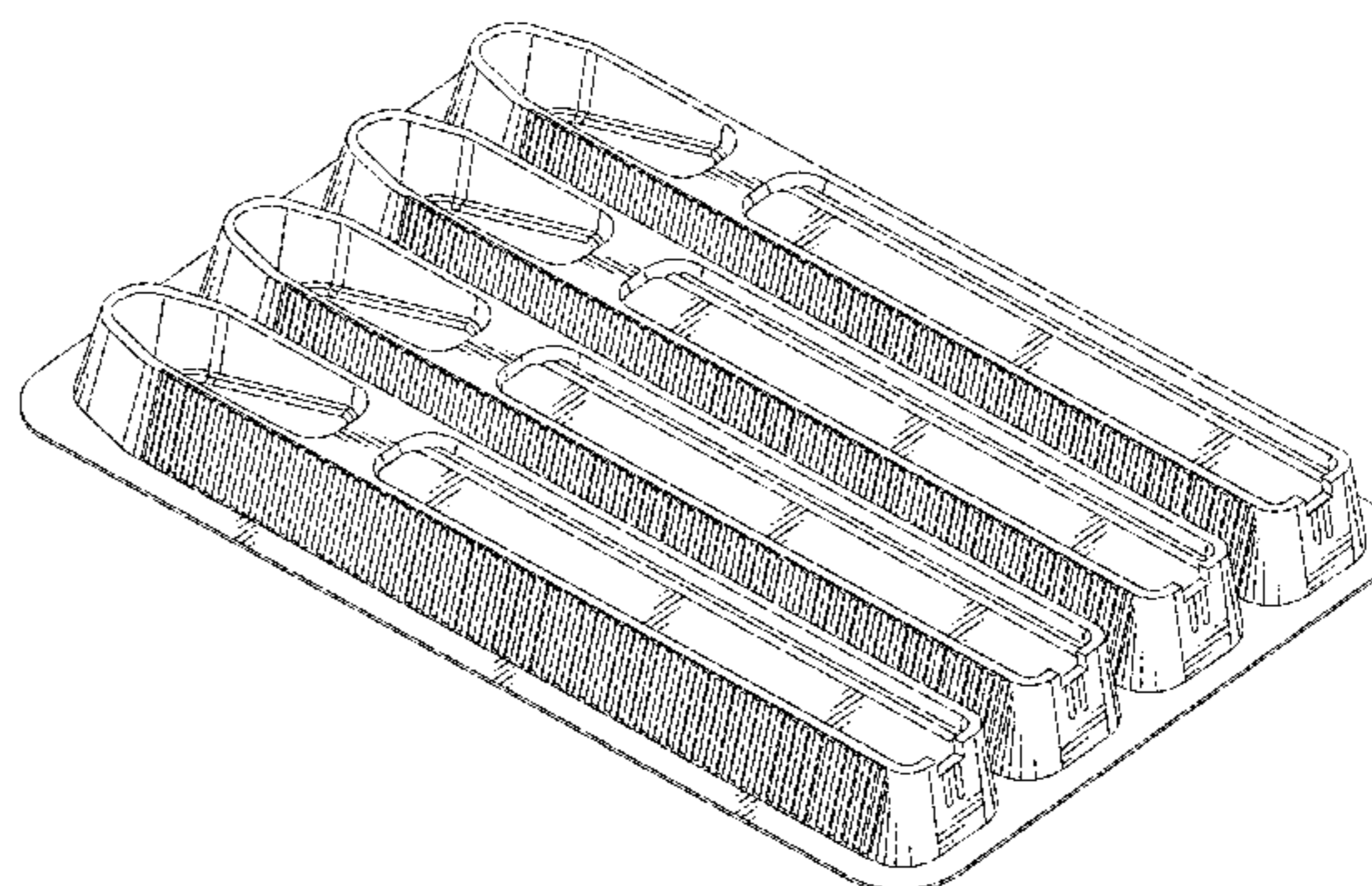
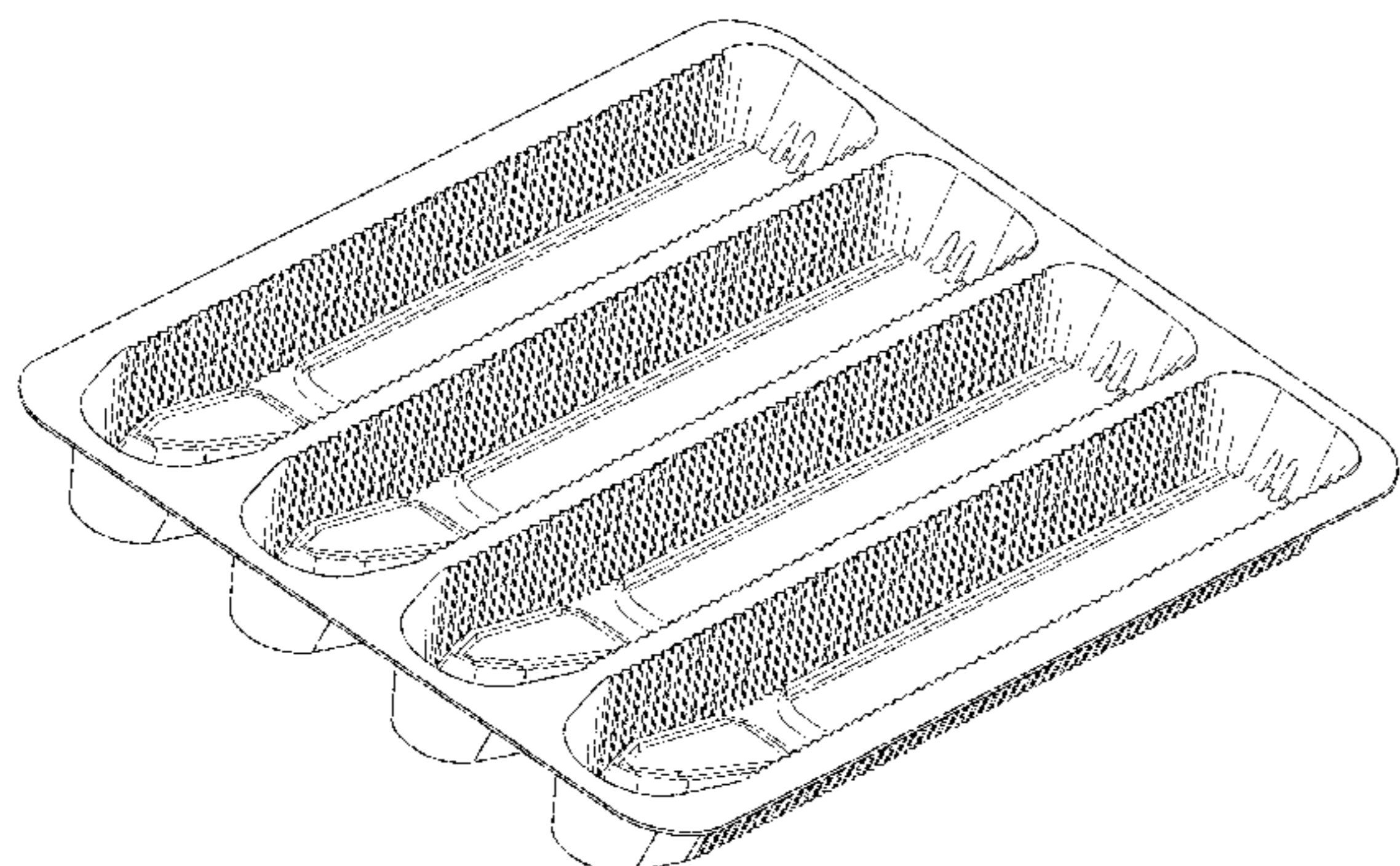
FIG. 4 is a left end elevational view thereof.

FIG. 5 is a front elevational view thereof.

FIG. 6 is a rear elevational view thereof; and,

FIG. 7 is a bottom perspective view thereof.

**1 Claim, 3 Drawing Sheets**



(56)

References Cited

U.S. PATENT DOCUMENTS

4,792,045	A *	12/1988	Creaden	.....	B65D 1/36				
						206/419			
4,872,560	A *	10/1989	Langenbeck	.....	B65B 5/068				
						206/557			
D333,093	S	2/1993	Rehrig et al.						
D352,868	S *	11/1994	Breen	.....	D7/637				
D352,893	S	11/1994	Legacy et al.						
5,393,539	A *	2/1995	Reskow	.....	B65D 77/003				
						206/557			
D366,760	S *	2/1996	Kraner	.....	D3/310				
6,648,138	B1 *	11/2003	Kelly	.....	A63B 47/002				
						206/315.9			
6,666,348	B2	12/2003	Fore						
D487,971	S *	4/2004	Bergeron	.....	D3/313				
D506,397	S	6/2005	Hall						
D518,330	S *	4/2006	Doran	.....	D7/357				
D591,175	S *	4/2009	Larson	.....	D9/425				
RE41,054	E	12/2009	Nakagawa						
7,931,148	B2	4/2011	Hansen						
D649,460	S	11/2011	Davis						
D667,278	S *	9/2012	Murphy	.....	D7/637				
D667,305	S	9/2012	Kuhn et al.						
D676,711	S *	2/2013	Toufayan	.....	D7/553.2				
D688,572	S *	8/2013	Marin	.....	D9/425				
D692,296	S *	10/2013	Cooper	.....	D9/424				
D701,418	S *	3/2014	Tingley	.....	D7/357				
D719,025	S	12/2014	Ramirez et al.						
D736,013	S *	8/2015	Williams	.....	D6/675				
D743,794	S *	11/2015	Carroll	.....	D9/456				
D752,369	S *	3/2016	Coleman	.....	D6/675				
9,332,766	B2 *	5/2016	Tingley	.....	A21B 3/132				
D759,479	S *	6/2016	Das	.....	D9/425				
9,539,757	B2	1/2017	Ramirez et al.						
D784,067	S *	4/2017	Keating	.....	D7/354				
2010/0282635	A1 *	11/2010	Murphy	.....	A47B 88/90				
						206/561			
2010/0297310	A1 *	11/2010	Garbe	.....	A21D 10/025				
						426/113			
2012/0152797	A1 *	6/2012	Gross	.....	B65D 81/261				
						206/557			
2016/0262843	A1 *	9/2016	Sellers	.....	A61B 50/33				

\* cited by examiner

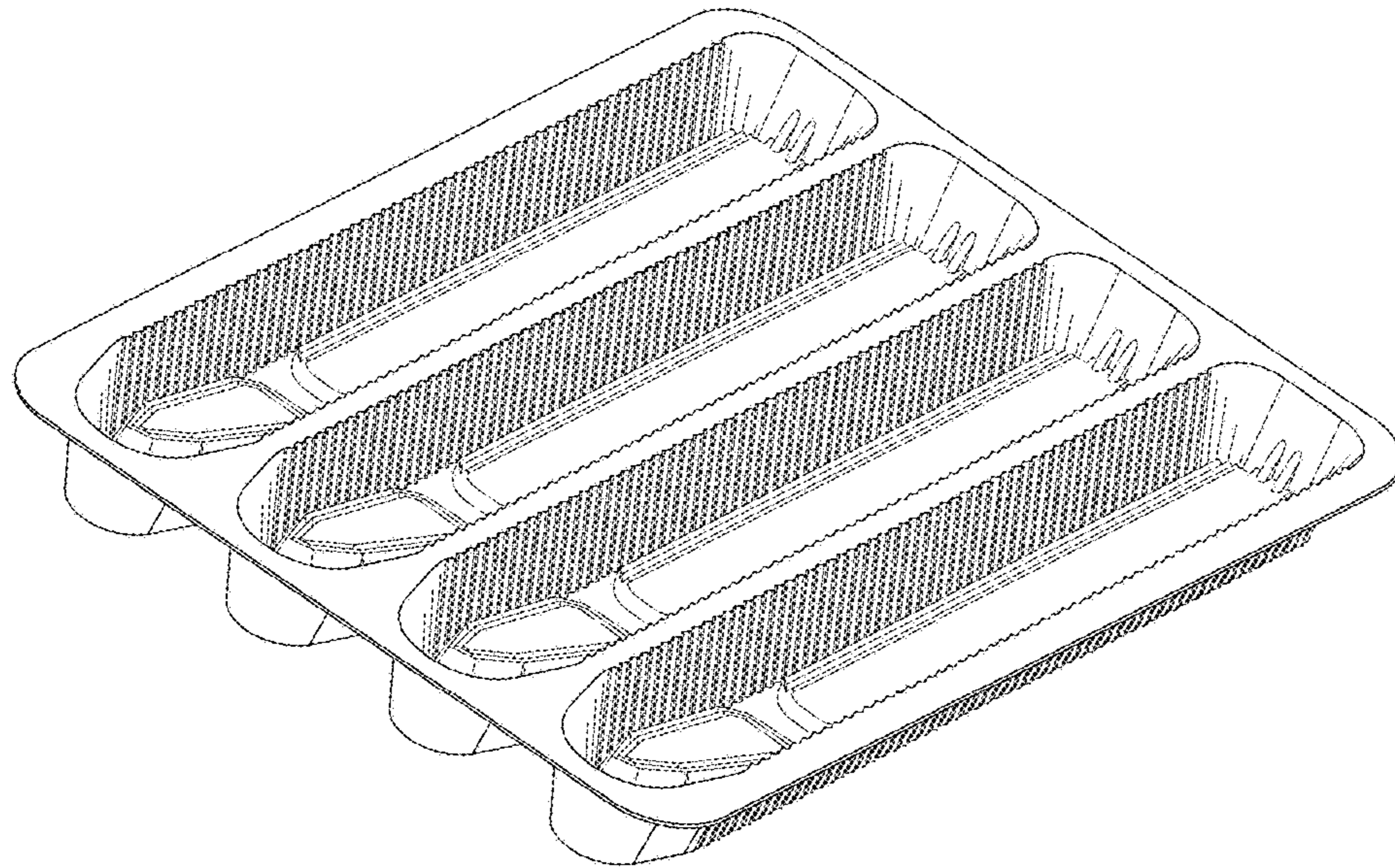


FIG. 1

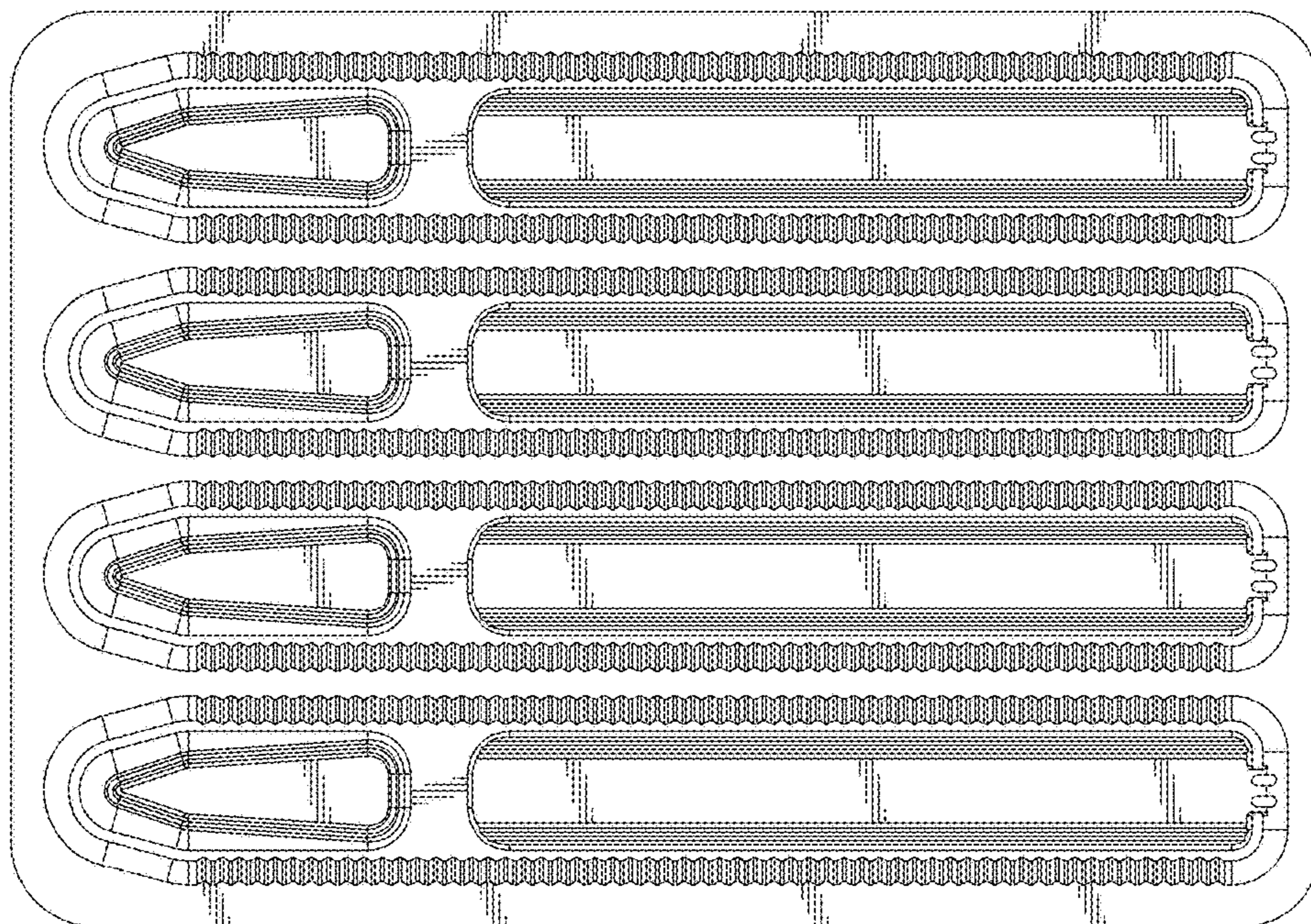


FIG. 2



FIG. 3

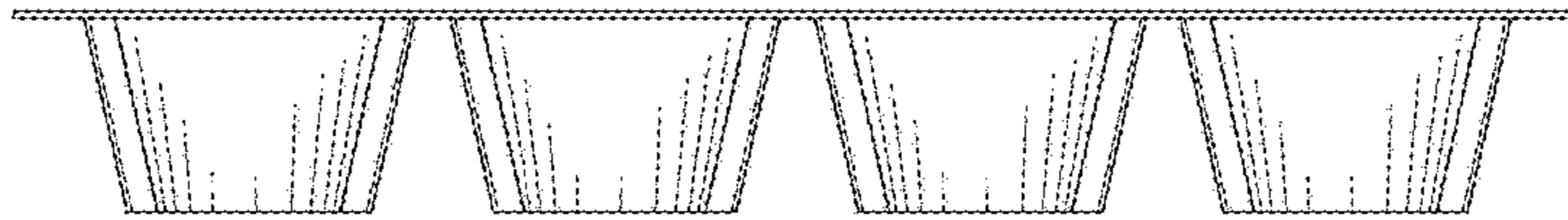


FIG. 4

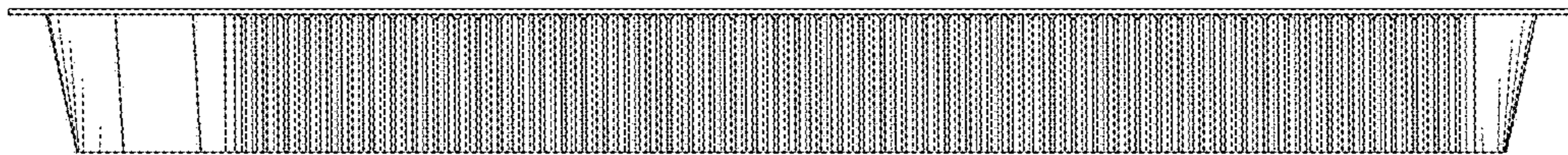


FIG. 5

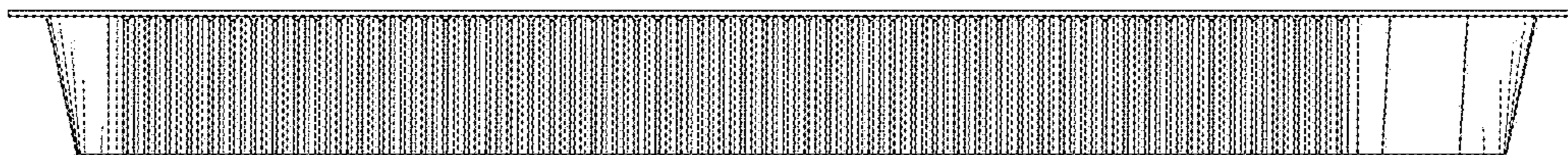


FIG. 6

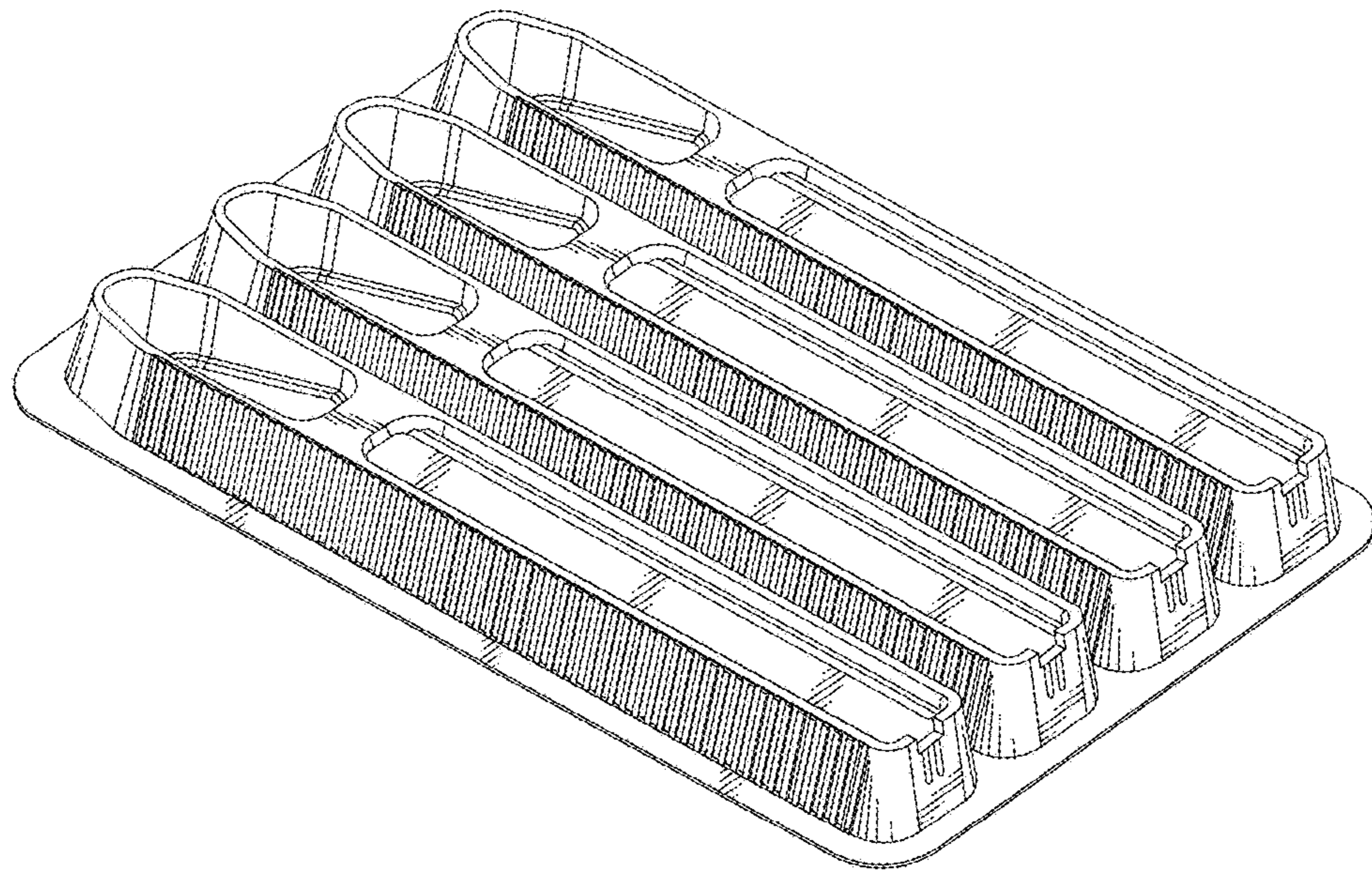


FIG. 7