



US00D814928S

(12) **United States Design Patent**
Seiders et al.

(10) **Patent No.:** **US D814,928 S**
(45) **Date of Patent:** **** Apr. 10, 2018**

(54) **LID**

(71) Applicant: **YETI Coolers, LLC**, Austin, TX (US)

(72) Inventors: **Roy Joseph Seiders**, Austin, TX (US);
Derek G. Sullivan, Austin, TX (US);
Andy Bondhus, Austin, TX (US); **Evan Goldberg**, Austin, TX (US)

(73) Assignee: **YETI Coolers, LLC**, Austin, TX (US)

(**) Term: **15 Years**

(21) Appl. No.: **29/568,692**

(22) Filed: **Jun. 20, 2016**

(51) **LOC (11) Cl.** **09-07**

(52) **U.S. Cl.**

USPC **D9/443; D7/396.2**

(58) **Field of Classification Search**

USPC D3/294, 295; D7/213, 387, 392, 392.1,
D7/396.1, 396.2, 396.3, 541, 546, 549,
D7/554.2, 554.3, 602, 605, 701, 703, 705;
D9/414, 420, 426, 428, 430, 434-436,
D9/438, 443, 449, 454, 455, 499, 703,
D9/717, 721

CPC B65D 47/122; B65D 47/2037; B65D
2581/3447

See application file for complete search history.

(56) **References Cited**

U.S. PATENT DOCUMENTS

D109,331 S	4/1938	McManus et al.
D154,378 S	7/1949	Fuller
D177,761 S	5/1956	Reinhardt
D192,192 S	2/1962	Tupper
D224,646 S	8/1972	Vollquartz
D235,303 S	6/1975	Boucher
4,090,660 A	5/1978	Schram et al.

(Continued)

FOREIGN PATENT DOCUMENTS

CN 301110494 1/2010
CN 303528321 12/2015

(Continued)

OTHER PUBLICATIONS

Yeti. Rambler. Jul. 19, 2016 [earliest online date], [site visited Apr. 7, 2017]. Available from Internet, <URL:http://yeti.com/rambler>.*

(Continued)

Primary Examiner — Robert M Spear

Assistant Examiner — Darcey E Heflin

(74) *Attorney, Agent, or Firm* — Banner & Witcoff, Ltd.

(57) **CLAIM**

The ornamental design for a lid, as shown and described.

DESCRIPTION

FIG. 1 is a top, front, right perspective view of a lid showing our new design;

FIG. 2 is a front view thereof;

FIG. 3 is a rear view thereof;

FIG. 4 is a right side view thereof;

FIG. 5 is a left side view thereof;

FIG. 6 is a top view thereof;

FIG. 7 is a bottom view thereof;

FIG. 8 is a top, front, right perspective exploded view thereof;

FIG. 9 is a front exploded view thereof;

FIG. 10 is a rear exploded view thereof;

FIG. 11 is a right exploded view thereof;

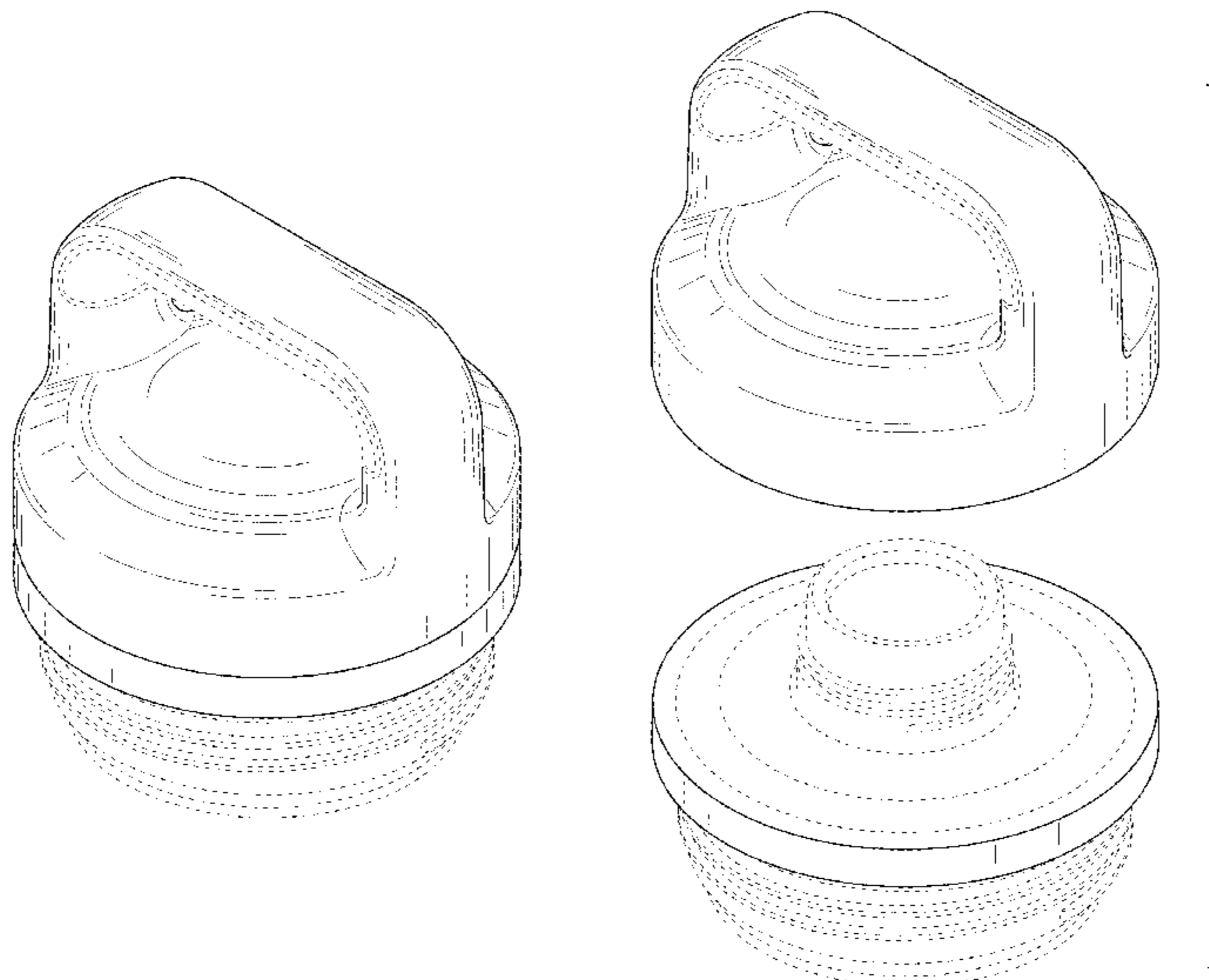
FIG. 12 is a left exploded view thereof;

FIG. 13 is a top exploded view thereof; and,

FIG. 14 is a bottom exploded view thereof.

The claim is defined by the shaded surfaces. In the drawings, the broken lines showing portions of a lid depict environment and form no part of the claim.

1 Claim, 11 Drawing Sheets



(56)

References Cited

U.S. PATENT DOCUMENTS

D712,255 S	*	9/2014	Geis	D9/436
D713,268 S		9/2014	Jones et al.	
D713,365 S		9/2014	Green	
D715,100 S		10/2014	Eyal	
D717,102 S		11/2014	Taketani et al.	
D717,115 S		11/2014	Lane et al.	
D721,540 S		1/2015	Grcic	
D724,385 S		3/2015	Hurley et al.	
D728,315 S		5/2015	Bo	
D728,995 S		5/2015	Barberi	
D729,579 S		5/2015	Molayem	
D729,584 S		5/2015	Weston et al.	
D732,337 S		6/2015	Coon et al.	
D732,402 S		6/2015	Jones et al.	
D734,154 S		7/2015	Johnson et al.	
D735,578 S		8/2015	Mazurkiewicz et al.	
D741,655 S		10/2015	Whelan et al.	
D743,742 S		11/2015	Rummel et al.	
D744,781 S		12/2015	Rummel et al.	
D747,199 S		1/2016	Phillips	
D751,340 S		3/2016	Seiders et al.	
D751,341 S		3/2016	Seiders et al.	
D752,381 S		3/2016	Wahl	
D754,472 S		4/2016	Munari	
D755,561 S	*	5/2016	Eyal	D7/392.1
D756,701 S		5/2016	Mettler et al.	
D758,859 S	*	6/2016	Sorensen	D7/393
D760,080 S	*	6/2016	Gorbald	D9/443
D760,586 S	*	7/2016	Seiders	D7/392.1
D761,618 S		7/2016	Lapsker	
D764,869 S		8/2016	Smrtnik et al.	
D764,916 S		8/2016	Mount, III et al.	
D766,085 S		9/2016	Smith	
D772,651 S		11/2016	Leonard et al.	
D774,363 S		12/2016	Seiders et al.	
D777,508 S	*	1/2017	Goodwin	D7/392.1
D779,872 S		2/2017	Bergstrom	
D780,577 S	*	3/2017	Seiders	D7/392.1
D781,145 S	*	3/2017	Seiders	D7/392.1
D781,146 S	*	3/2017	Seiders	D7/392.1
D782,881 S		4/2017	Seiders et al.	
D783,367 S		4/2017	Seiders et al.	
D783,368 S		4/2017	Seiders et al.	
D786,671 S		5/2017	Khetarpaul et al.	
D788,544 S		6/2017	Seiders et al.	
D790,285 S		6/2017	Seiders et al.	
2008/0078787 A1		4/2008	Yelland	
2010/0288782 A1		11/2010	Lin	
2011/0114655 A1		5/2011	Bailey	
2011/0186585 A1		8/2011	Lu	
2012/0125931 A1		5/2012	Roth et al.	
2014/0251938 A1		9/2014	Rose et al.	
2014/0353275 A1		12/2014	Hung	
2017/0119212 A1		5/2017	Petrillo et al.	

FOREIGN PATENT DOCUMENTS

JP	1530358	8/2015
KR	300303813.0000	8/2002
KR	300751936.0000	7/2014
KR	300764889.0000	10/2014
WO	D088688-002	1/2016

OTHER PUBLICATIONS

Amazon. YETI Rambler Bottle Replacement Cap. Mar. 23, 2017 [earliest online date], [site visited Apr. 7, 2017]. Available from Internet, <URL:https://www.amazon.com/YETI-Rambler-Bottle-Replacement-Cap/dp/B01MZ6QIMY>.*
 Outdoor Pro Shop. Yeti Rambler Bottles. May 27, 2016 [earliest online date], [site visited Apr. 7, 2017]. Available from Internet, <URL:https://www.outdoorproshop.com/Yeti-Rambler-Bottles-p/yeti-yrambtl.htmOu>.*

YETI 36 oz. Rambler: Announced Jan. 11, 2016 [online], site visited [May 10, 2016]. Available from Internet URL: <http://yeticoolers.com/rambler-bottle-36-oz/>.
 KOLD Vacuum Insulated Stainless Steel Sports Bottle: Announced Dec. 8, 2015 [online], site visited [May 11, 2016]. Available from Internet URL: <http://www.amazon.com/KOLD-Sports-Water-Bottles-Insulated/dp/B018YH K79E/> ref=cm.
 United States District Court Western District of Texas Austin Division, "Complaint for Damages and Injunctive Relief," *YETI Coolers, LLC v. RTIC Coolers, LLC, RTIC Drinkware, LLC, and RTIC Web Services, LLC*, Case: 1:16-cv-00985, Document #1, filed Aug. 18, 2016, 27 pages.
 United States District Court Western District of Texas Austin Division, "Defendants' Motion to Dismiss Pursuant to Rule 12(b)(6)," *YETI Coolers, LLC v. RTIC Coolers, LLC, RTIC Drinkware, LLC, and RTIC Web Services, LLC*, Case: 1:16-cv-00985, Document #9, filed Sep. 23, 2016, 27 pages.
 English translation of Office Action dated Nov. 1, 2016 for JP Application No. 2016-9605, 2 pages.
 English translation of Office Action dated Nov. 1, 2016 for JP Application No. 2016-9606, 2 pages.
 English translation of Office Action dated Oct. 4, 2016 for JP Application No. 2016-9607, 2 pages.
 English translation of Office Action dated Oct. 4, 2016 for JP Application No. 2016-9608, 2 pages.
 United States District Court Western District of Texas Austin Division, "Plaintiff YETI Coolers, LLC's Original Complaint," *YETI Coolers, LLC v. Ontel Products Corporation and World Pack USA, LLC*, Case: 1:17-cv-00091-RP, Document #1, filed Feb. 8, 2017, 65 pages.
 United States District Court Western District of Texas Austin Division, "Defendants' Answers and Defenses to Plaintiff's Original Complaint," *YETI Coolers, LLC v. Ontel Products Corporation and World Pack USA, LLC*, Case: 1:17-cv-00091-RP, Document #14, filed Feb. 21, 2017, 45 pages.
 "Review: Yeti Heavy-Duty Rambler Bottles". Found online Jun. 12, 2017 at gearjunkie.com. Page dated Apr. 1, 2016. Retrieved from <<https://gearjunkie.com/yeti-rambler-water-bottle-review>>.
 "ETS Express: New Items in Stock". Found online Jun. 12, 2017 at twitter.com. Page dated Jan. 21, 2015. Retrieved from <<https://twitter.com/etsexpress/status/557997114589196288>>.
 "Klean Kanteen Wide Mouth Water Bottle with Loop Cap". Found online Oct. 12, 2016 at amazon.com. Page dated Dec. 5, 2009. Retrieved from <<https://www.amazon.com/Klean-Kanteen-Mouth-Water-Bottle/dp/B002VIZ61U/> ref=cm_cr_ar_p_d_product_top?ie=UTF8>.
 "Sketch-a-Day: Water Bottles". Found online Jun. 21, 2017 at sketch-a-day.com. Page dated Mar. 4, 2010. Retrieved from <<http://www.sketch-a-day.com/posts/sketch-a-day-95-water-bottles/>>.
 United States District Court Western District of Texas Austin Division, "Plaintiffs' Complaint for Damages and Injunctive Relief," *YETI Coolers, LLC v. Houssam Rabi d/b/a Hoo-Sizzy*, Case 1:17-cv-00418, Document 1, filed May 5, 2017, 37 pages.
 United States District Court Western District of Texas Austin Division, "Plaintiffs' Complaint for Damages and Injunctive Relief," *YETI Coolers, LLC v. Seth Stevens d/b/a SDS Marketing d/b/a Eskimo Coolers, Panther Group LLC d/b/a Eskimo Coolers, Panther Group Sales, LLC d/b/a Eskimo Coolers, and Silver Fox Sales, LLC*, Case 1:17-cv-00423, Document 1, filed May 5, 2017, 77 pages.
 "Bubba Brands Classic Insulated Travel Mug". Found online Mar. 9, 2017 at amazon.com. Page dated Sep. 30, 2010. Retrieved from https://www.amazon.com/Bubba-Brands-1953403-Classic-Insulated/dp/B01FB71G8Y/ref=cm_cr_ar_p_d_product_top?ie=UTF8.
 "Bubba Hero Bottle Replacement Lid". Found online Mar. 9, 2017 at amazon.com. Page dated Jan. 14, 2015. Retrieved from https://www.amazon.com/bubba-Hero-bottle-replacement-lid/dp/BOOQQYD144/ref=cm_cr_ar_p_d_product_top?ie=UTF8.
 "Contigo Extreme Stainless Steel Travel Mug". Found online Mar. 9, 2017 at amazon.com. Page dated Sep. 13, 2016. Retrieved from https://www.amazon.com/Contigo-Extreme-Stainless-Insulated-Limited/dp/B01LZGBMKT/ref=pd_sim_79_3?_encoding=UTF8&psc=&refRID=A4VHP8EG6AKH3BG73BMZ.

(56)

References Cited

OTHER PUBLICATIONS

“Hydro Flask Wide Mouth Hydro Flip Lid”. Found online Mar. 9, 2017 at amazon.com. Page dated Oct. 9, 2012. Retrieved from http://www.amazon.com/Hydro-Flask-Wide-Mouth-Black/dp/B01GW2H430/ref=cm_cr_arp_dproduct_top?ie=UTF8.

Hydro Flask. Hydro Flip. 2015 [earliest online date], [site visited Apr. 28, 2017]. Available from Internet, <URL:<https://www.hydroflask.com/hydro-flip#92=57>>.

Jane. Spill Resistant Flip Lid and Yeti Accessories. Dec. 5, 2016 [earliest online date], [site visited Apr. 28, 2017]. Available from Internet, <URL:<https://jane.com/deal/263319/spill-resistant-flip-lid-and-yeti-accessories-30oz-many-colors>>.

United States District Court Western District of Texas Austin Division, “Second Amended Complaint,” *YETI Coolers, LLC v. Sam’s West, Inc., and Sam’s East, Inc., and CY Top, Ltd.*, Case: 1:16-cv-00829-RP, Document #51, filed Sep. 22, 2017, 49 pages.

United States District Court Western District of Texas Austin Division, “Complaint,” *YETI Coolers, LLC v. Costco Wholesale Corporation*, Case: 1:17-cv-07025, Document #1, filed Sep. 28, 2017, 99 pages.

United States District Court Western District of Texas Austin Division, “Complaint,” *YETI Coolers, LLC v. Alibaba Group Holding Limited, Alibaba (China) Technology Co., Ltd., Alibaba.com*

Hong Kong Limited, Alibaba.com Singapore E-Commerce Private Limited, Hangzhou Alibaba Advertising Co. Ltd., and Huizhou Dashu Trading Co., LTD, case: 1:17-cv-00936, Document #1, filed Sep. 28, 2017, 272 pages.

United States District Court Western District of Texas Austin Division, “Complaint,” *YETI Coolers, LLC v. ContextLogic, Inc. d/b/a Wish.com*, Case: 1:17-cv-00937, Document #1, filed Sep. 28, 2017, 238 pages.

United States District Court Western District of Texas Austin Division, “Complaint,” *YETI Coolers, LLC v. Dunhuang Group, SZ Flowerfairy Technology Co., Ltd., Tan Er Pa Technology Co., Ltd., Shenzhen Great Electronic Technology Co., Ltd., and Huagong Trading Co.*, Case: 1:17-cv-00938, Document #1, filed Sep. 28, 2017, 272 pages.

United States International Trade Commission of Washington, DC, “Complaint Under Section 337 of the Tariff of Act of 1930, as Amended,” *YETI Coolers, LLC vs. Alibaba (China) Technology Co., Ltd., Alibaba Group Holding Limited, Alibaba.com Hong Kong Limited, Alibaba.com Singapore E-Commerce Private Limited, Bonanza.com, Inc., ContextLogic, Inc. d/b/a Wish, Dunhuang Group, Hangzhou Alibaba Advertising Co. Ltd., Huizhou Dashu Trading Co., Ltd, Huagong Trading Co., and Tan Er Pa Technology Co., Ltd.*, Case: 337-TA-3261, filed Sep. 28, 2017, 191.

* cited by examiner

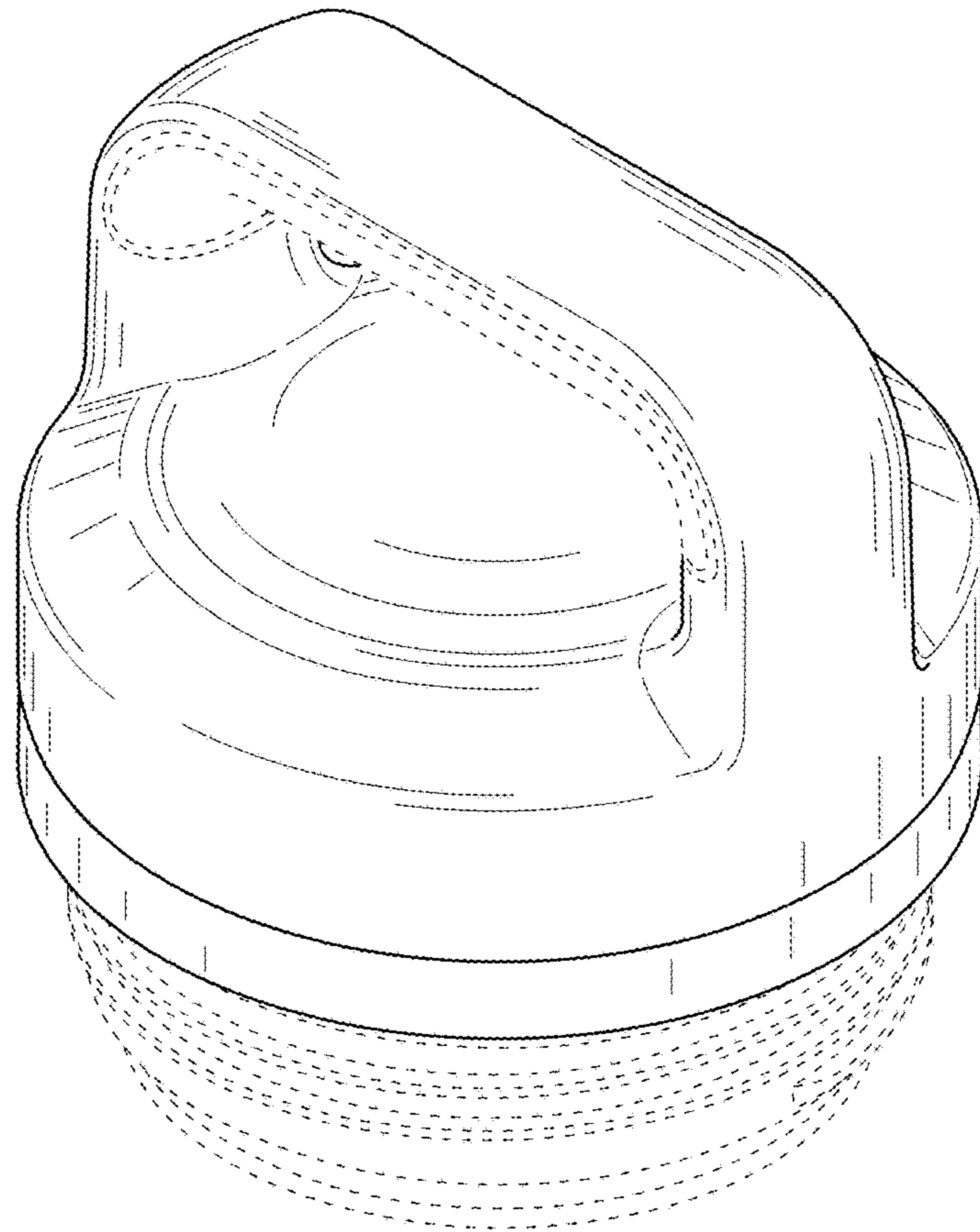


FIG. 1

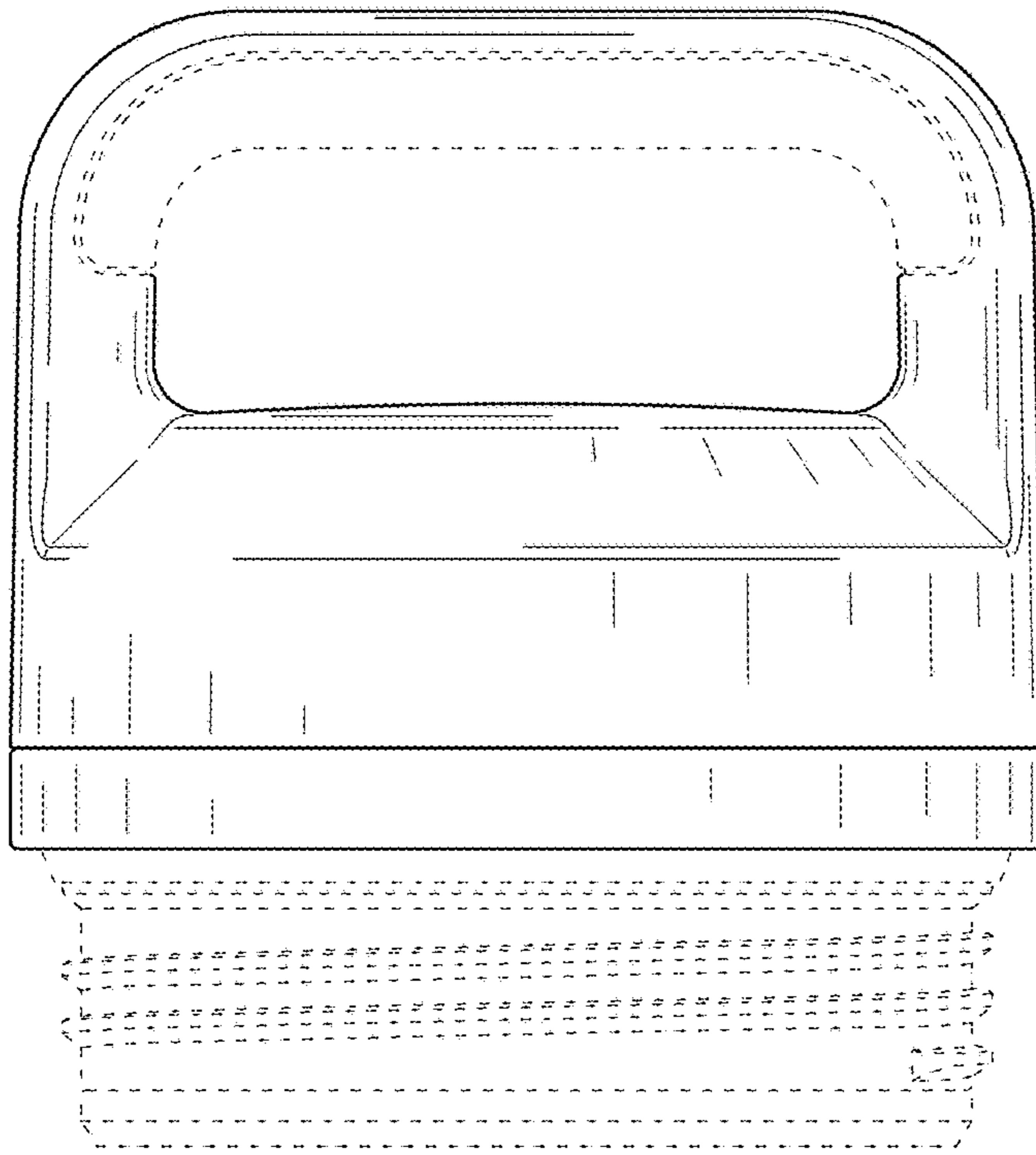


FIG. 2

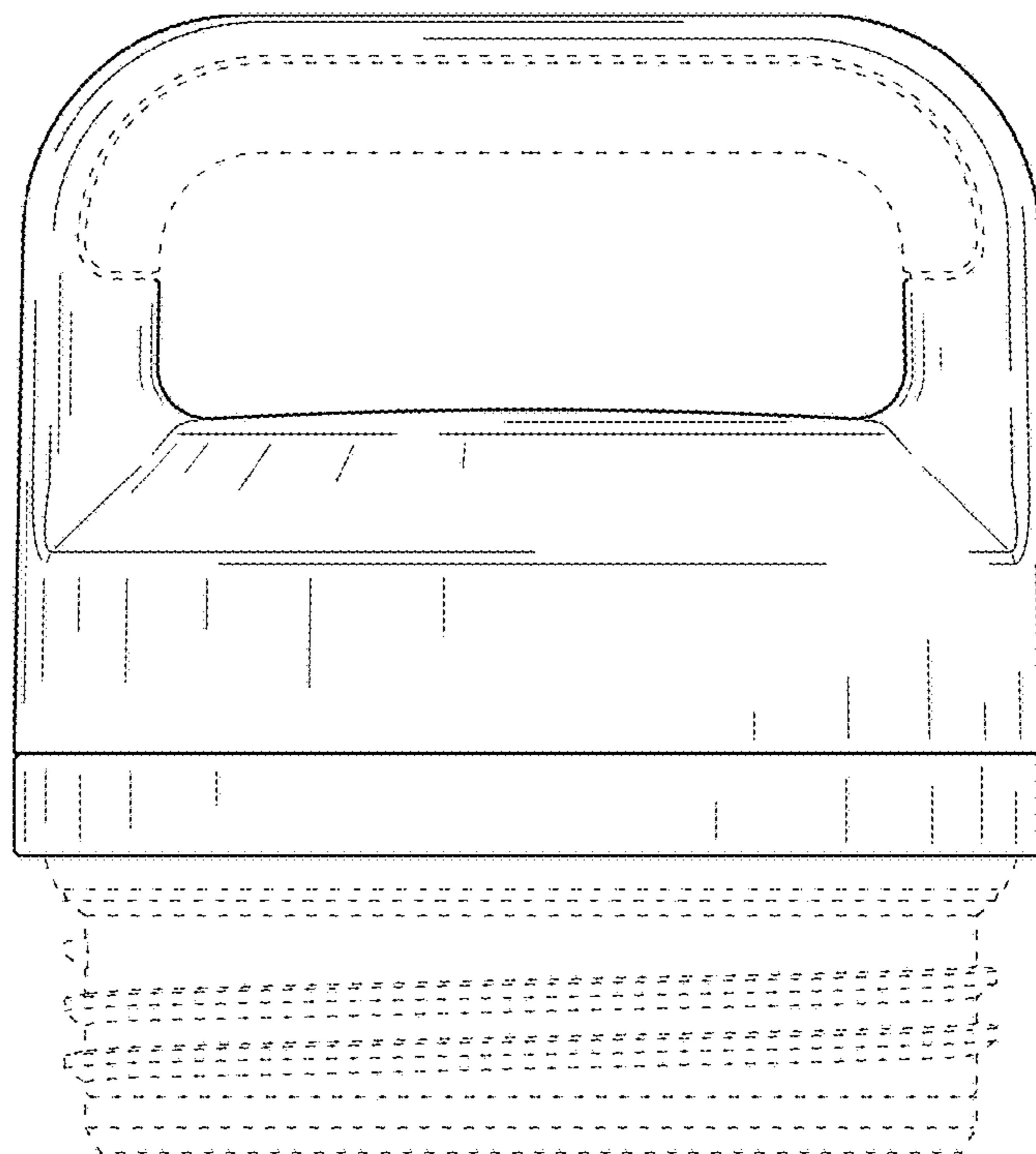


FIG. 3

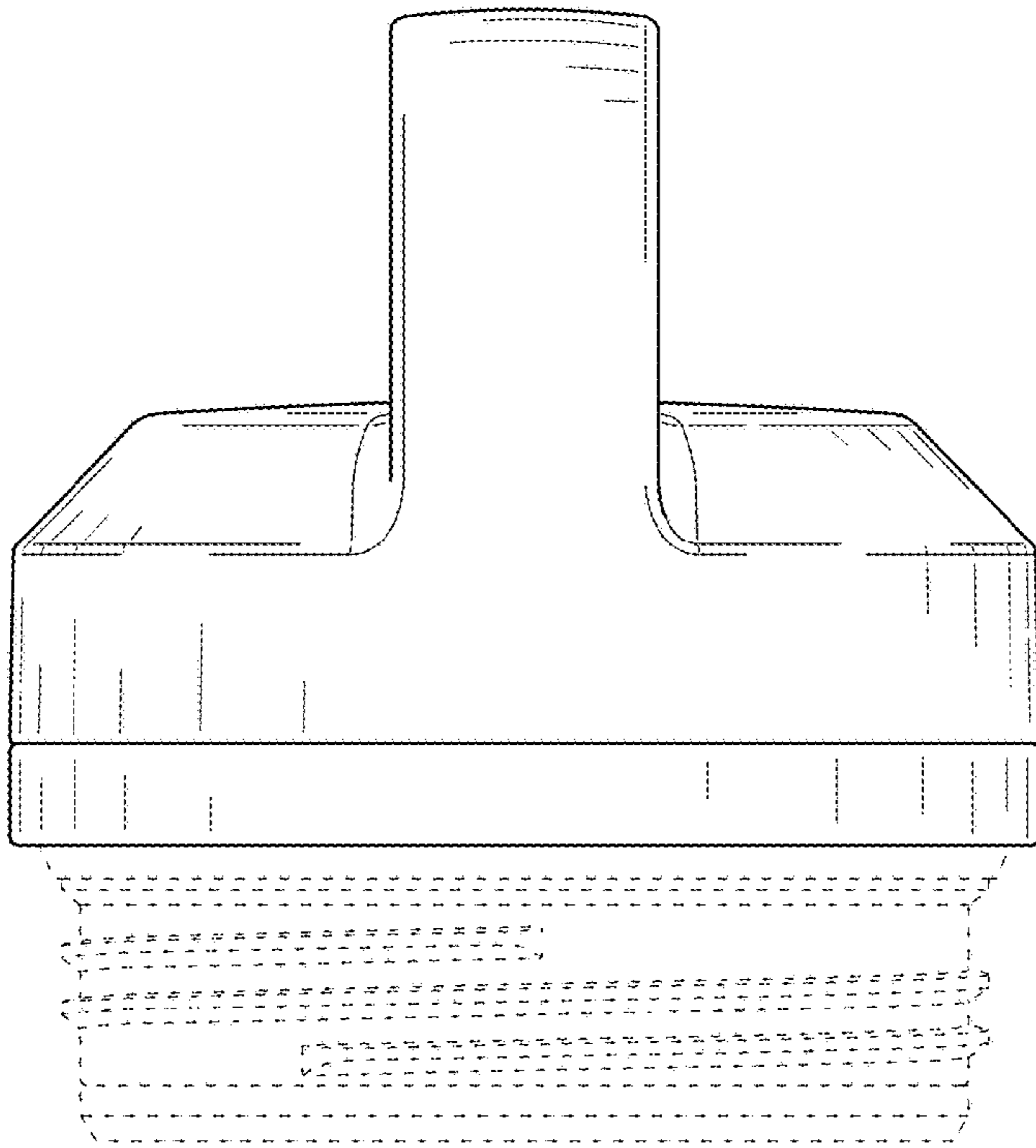


FIG. 4

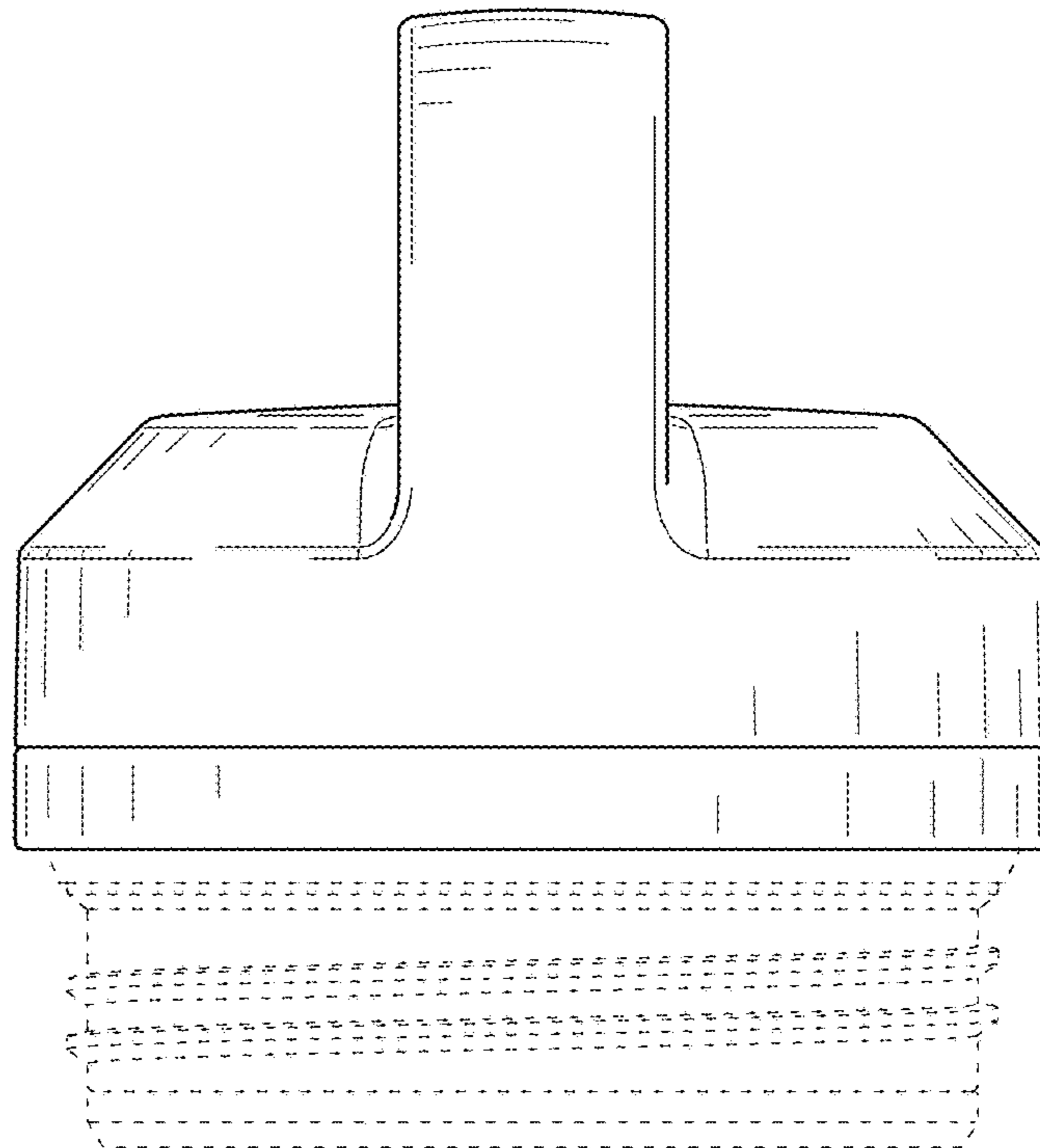


FIG. 5

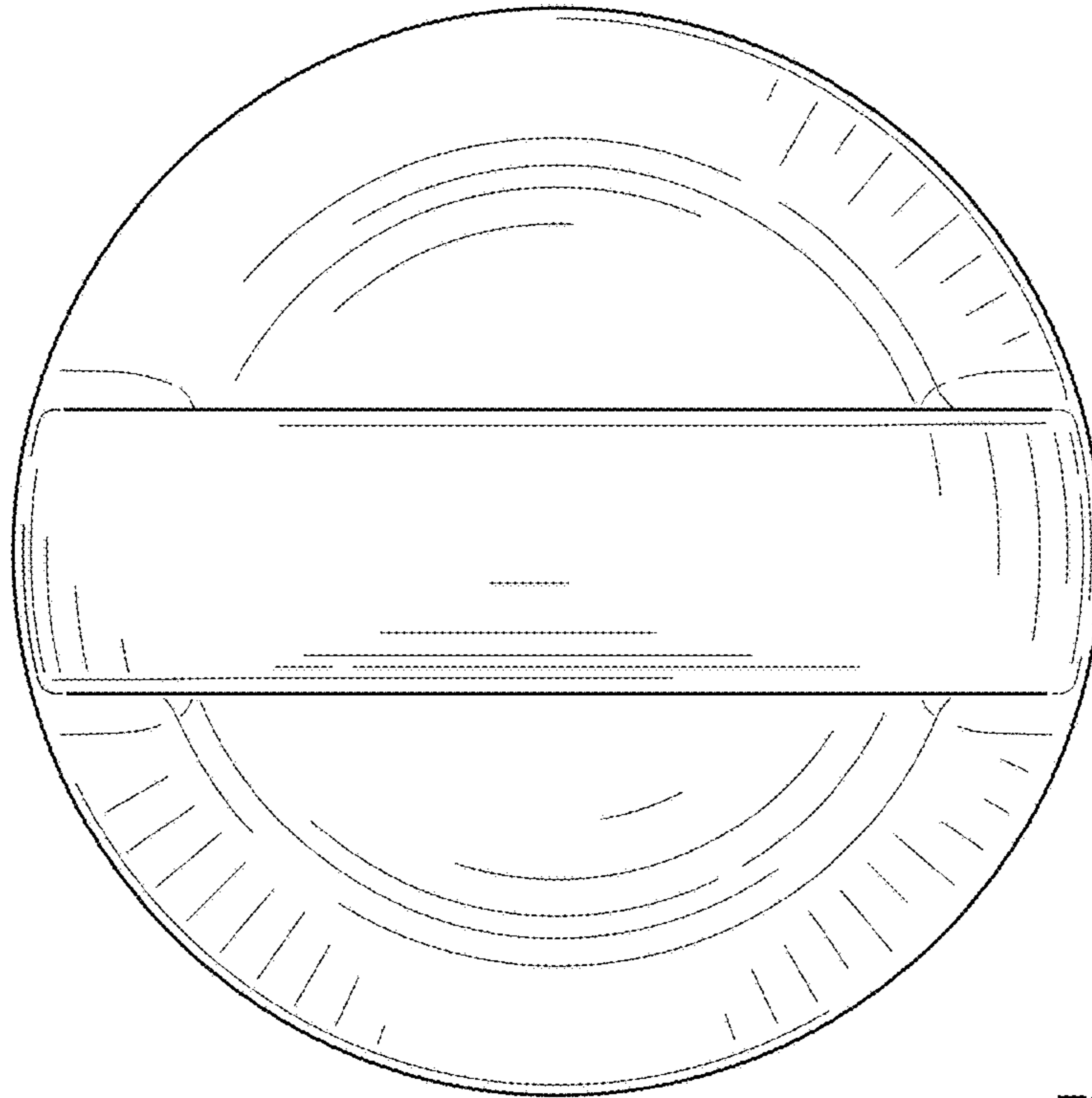


FIG. 6

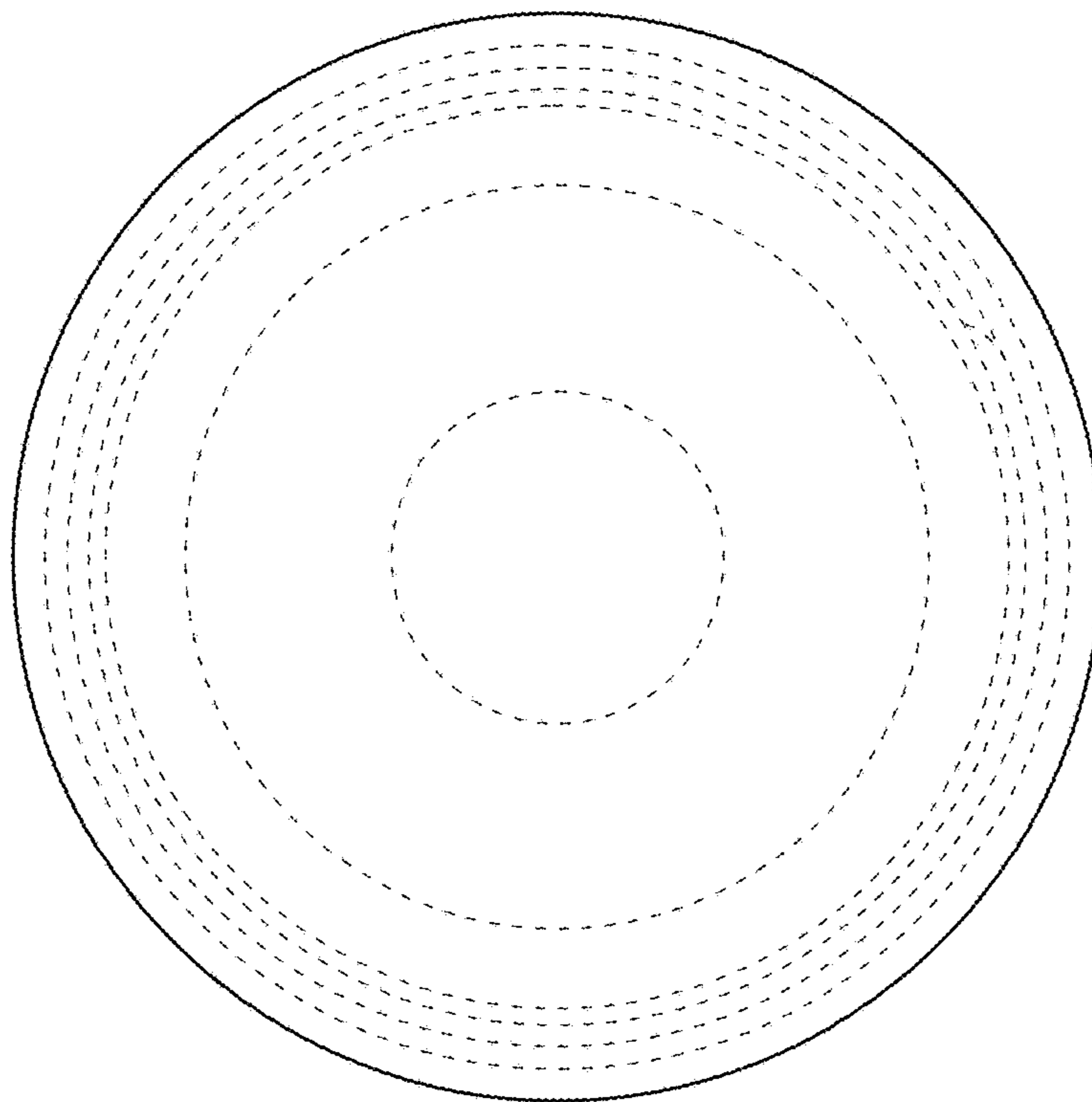


FIG. 7

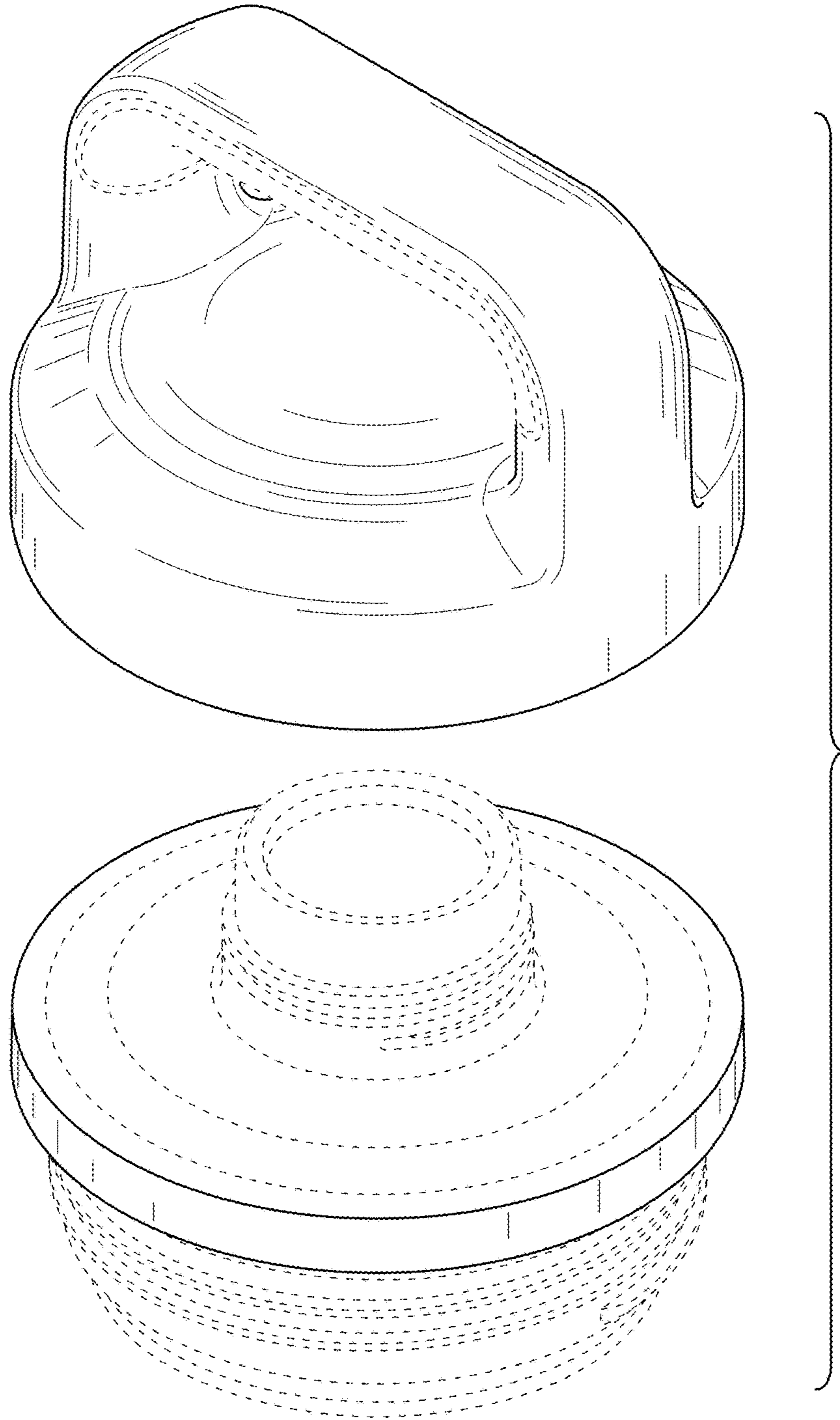


FIG. 8

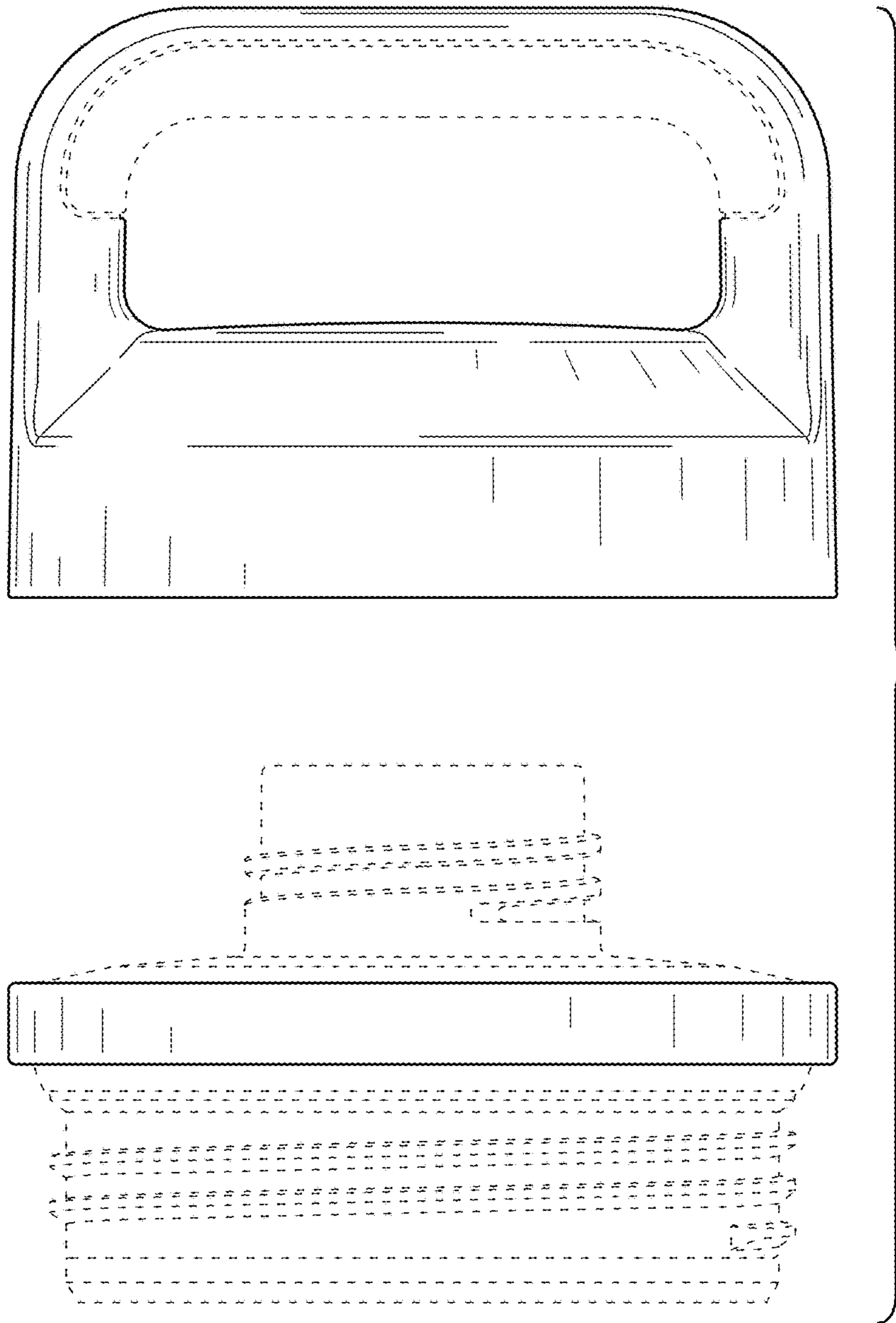


FIG. 9

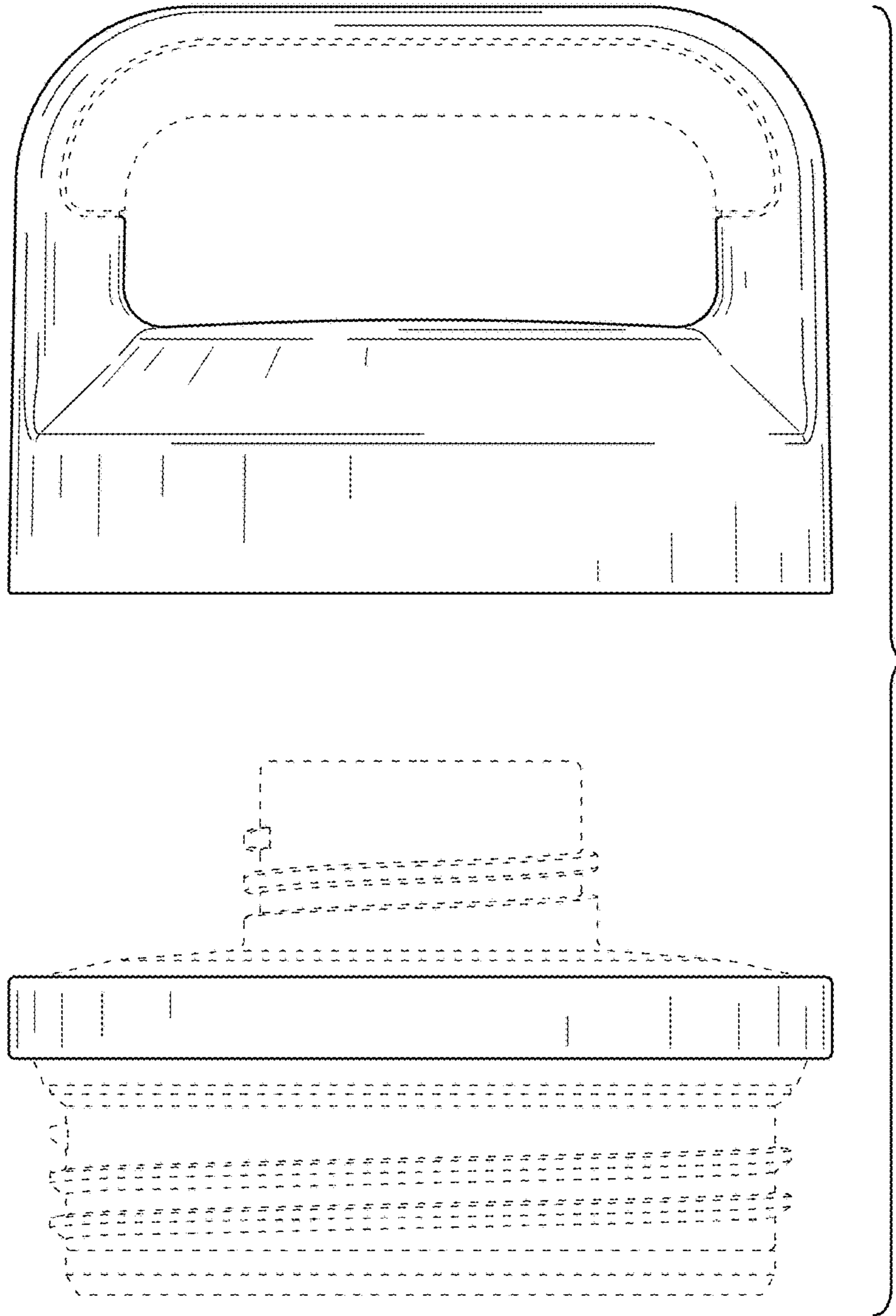


FIG. 10

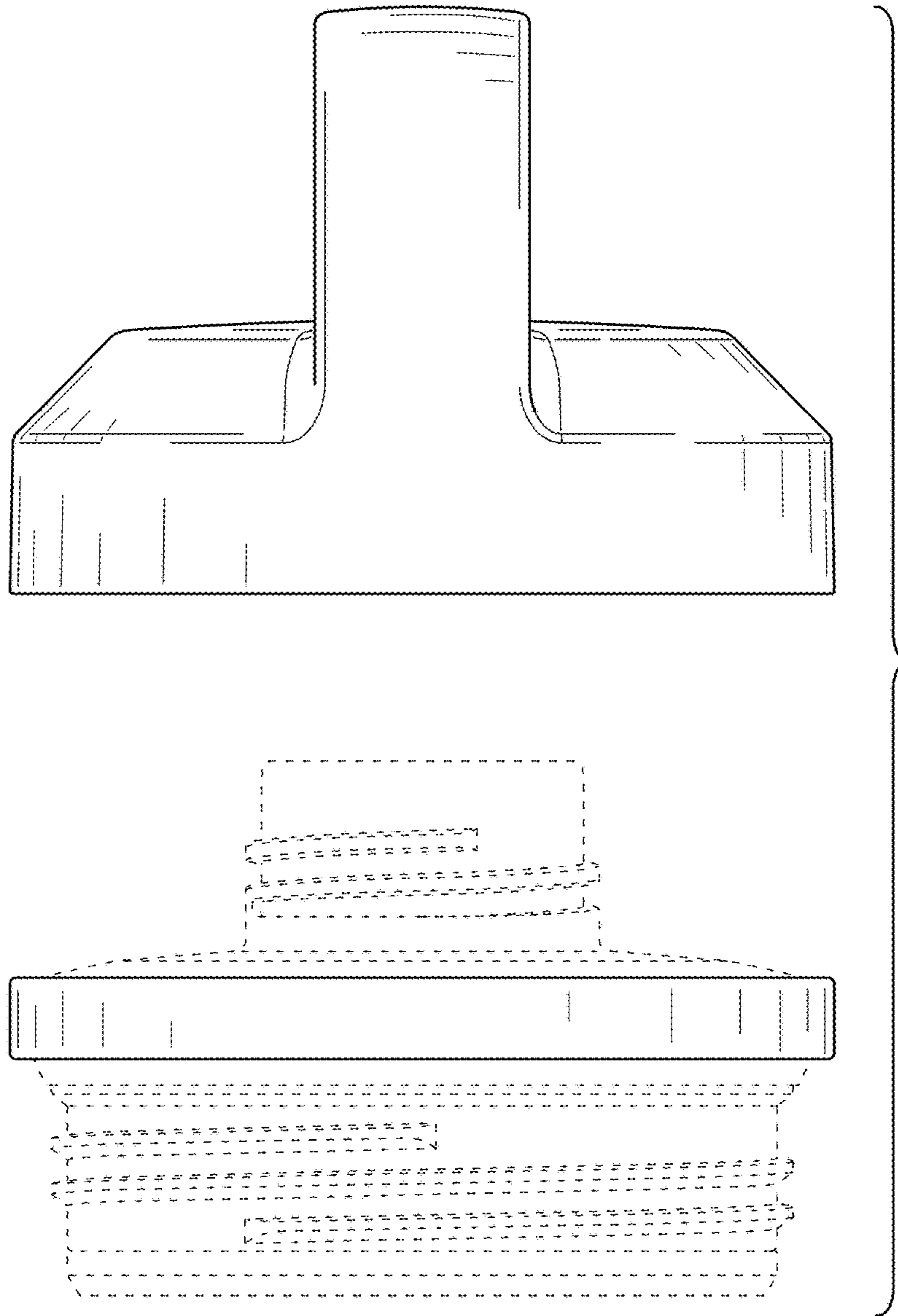


FIG. 11

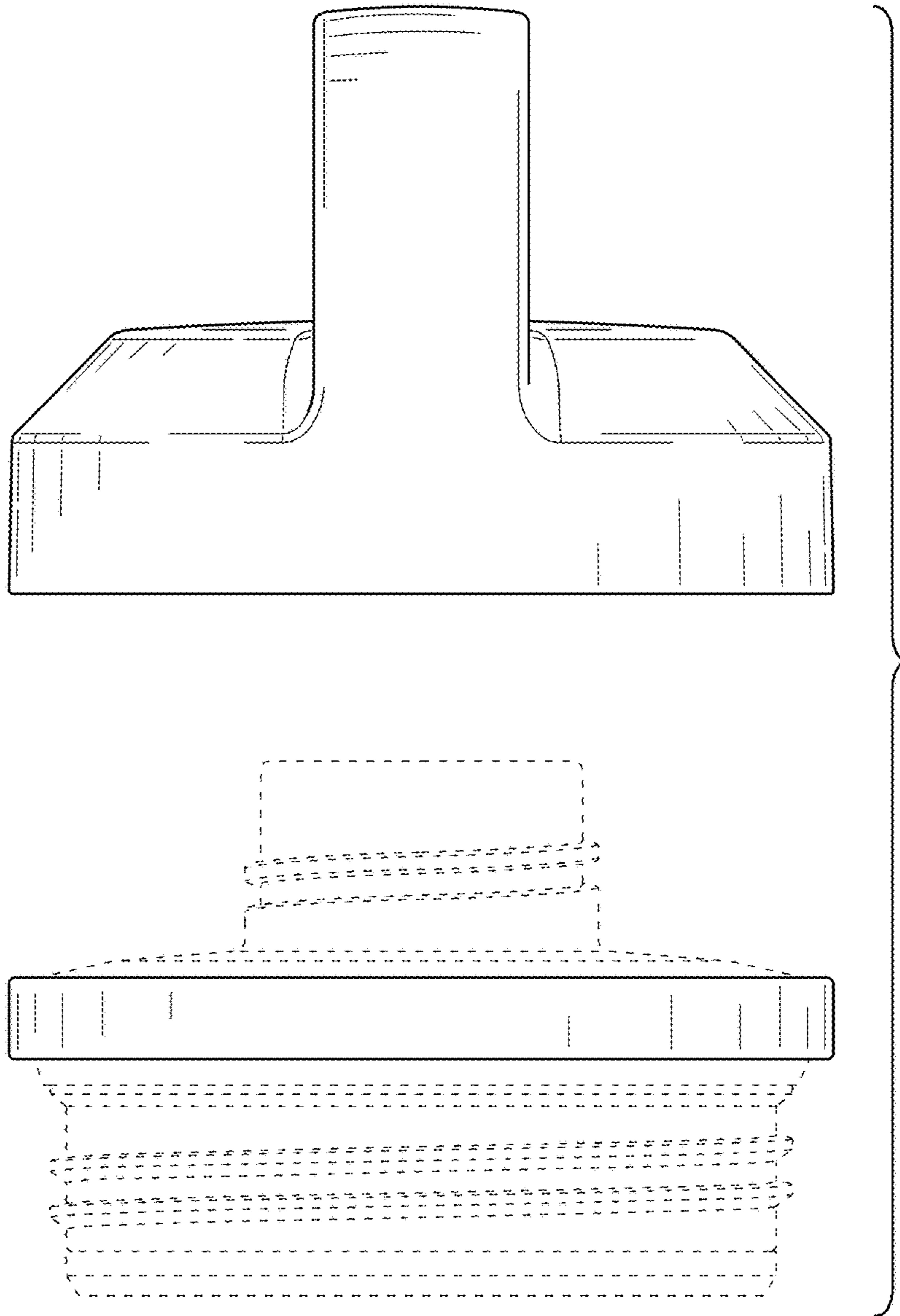


FIG. 12

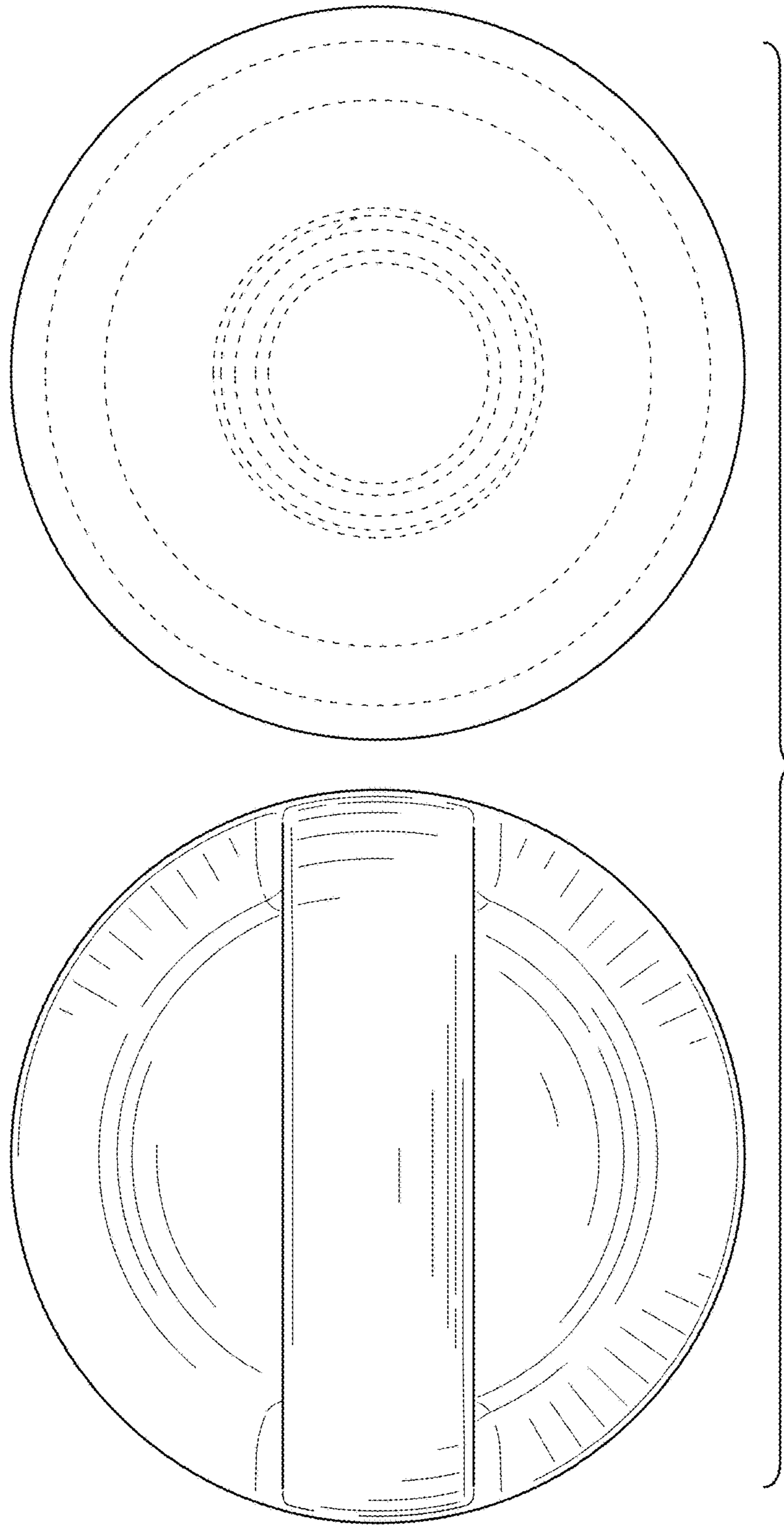


FIG. 13

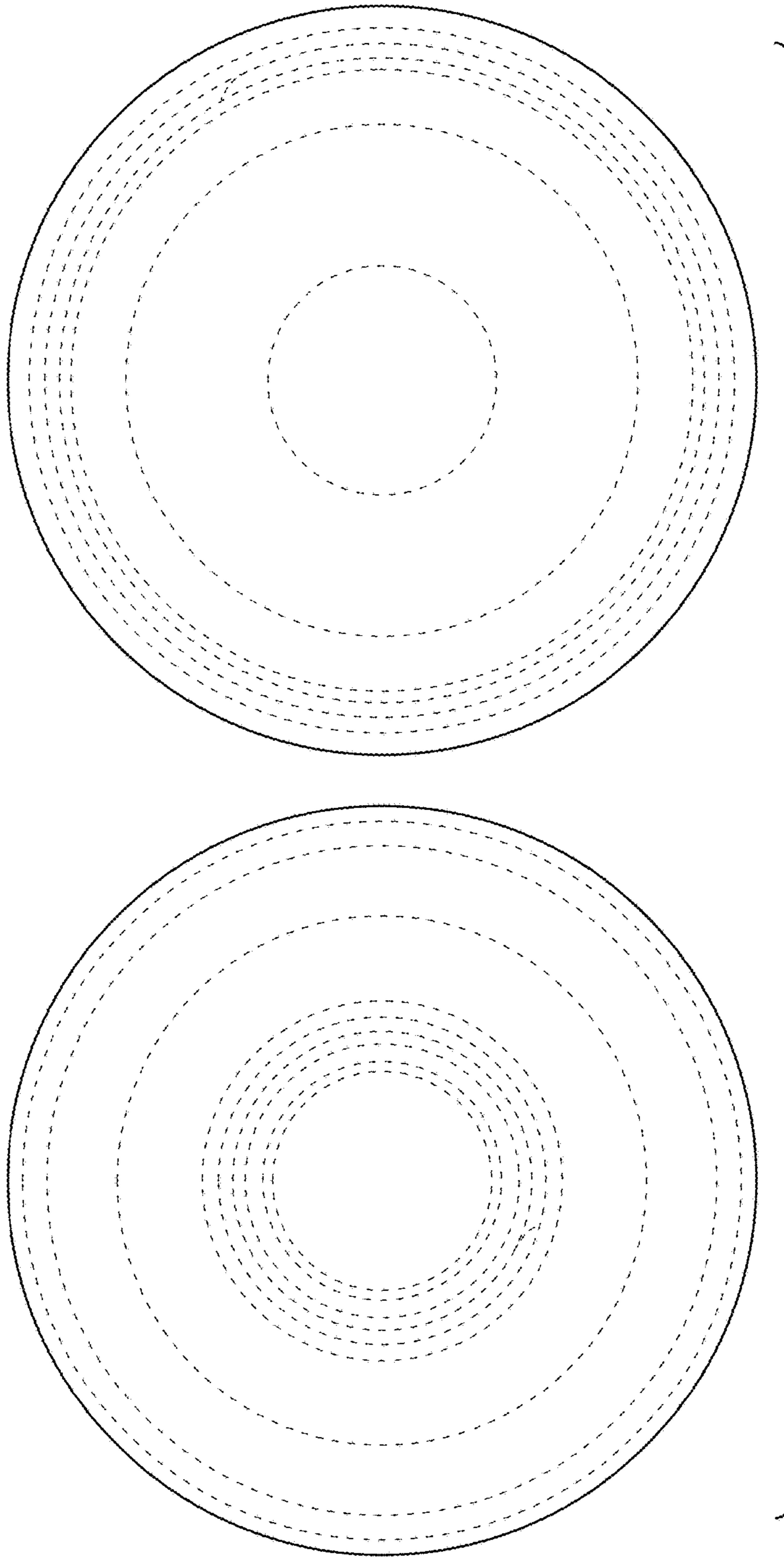


FIG. 14