



US00D814926S

(12) **United States Design Patent**
Greenfeld

(10) **Patent No.:** **US D814,926 S**

(45) **Date of Patent:** **** Apr. 10, 2018**

(54) **BOX**
(71) Applicant: **Mutty Greenfeld**, Brooklyn, NY (US)
(72) Inventor: **Mutty Greenfeld**, Brooklyn, NY (US)

(**) Term: **15 Years**

(21) Appl. No.: **29/597,757**

(22) Filed: **Mar. 20, 2017**

(51) **LOC (11) Cl.** **09-03**

(52) **U.S. Cl.**
USPC **D9/430**

(58) **Field of Classification Search**
USPC D9/414-423, 430-434, 721-722;
D3/290, 304, 305, 315; D20/10, 22, 27,
D20/40, 42
CPC B65D 5/00; B65D 5/0015; B65D 5/061;
B65D 5/18; B65D 5/20; B65D 5/32;
B65D 5/321; B65D 5/322

See application file for complete search history.

(56) **References Cited**

U.S. PATENT DOCUMENTS

1,636,306 A * 7/1927 Keeler, Jr. B65D 5/00
229/104
1,702,945 A * 2/1929 Meisner B65D 5/00
229/104
4,706,809 A * 11/1987 Halsell B65D 5/18
206/319
D332,399 S * 1/1993 Neff D9/423
D337,270 S * 7/1993 Brockman D9/430
D401,146 S * 11/1998 Srinual D9/423
7,935,041 B2 * 5/2011 Graham B65D 5/445
493/51
D668,144 S * 10/2012 Swart D9/430
D668,951 S * 10/2012 Voelker D9/430
D684,464 S * 6/2013 Swart D9/430
2002/0148883 A1 * 10/2002 Timbrook B65D 77/32
229/109

2005/0040216 A1 * 2/2005 Quaintance B65D 5/002
229/110
2007/0063002 A1 * 3/2007 Zacher B65D 5/0227
229/109
2010/0163609 A1 * 7/2010 Bull B65D 71/36
229/109

(Continued)

OTHER PUBLICATIONS

Produce Boxes, Packaging, Fruit & Vegetable. [online] Published on Apr. 15, 2009. Retrieved Dec. 19, 2017 from URL:<http://www.buffalovalleyproduce.com/produceboxes.html>.*

(Continued)

Primary Examiner — Vy N Koenig
(74) *Attorney, Agent, or Firm* — Vincent G. Lotempio;
Philip B. Abramowitz; Kloss, Stenger & LoTempio

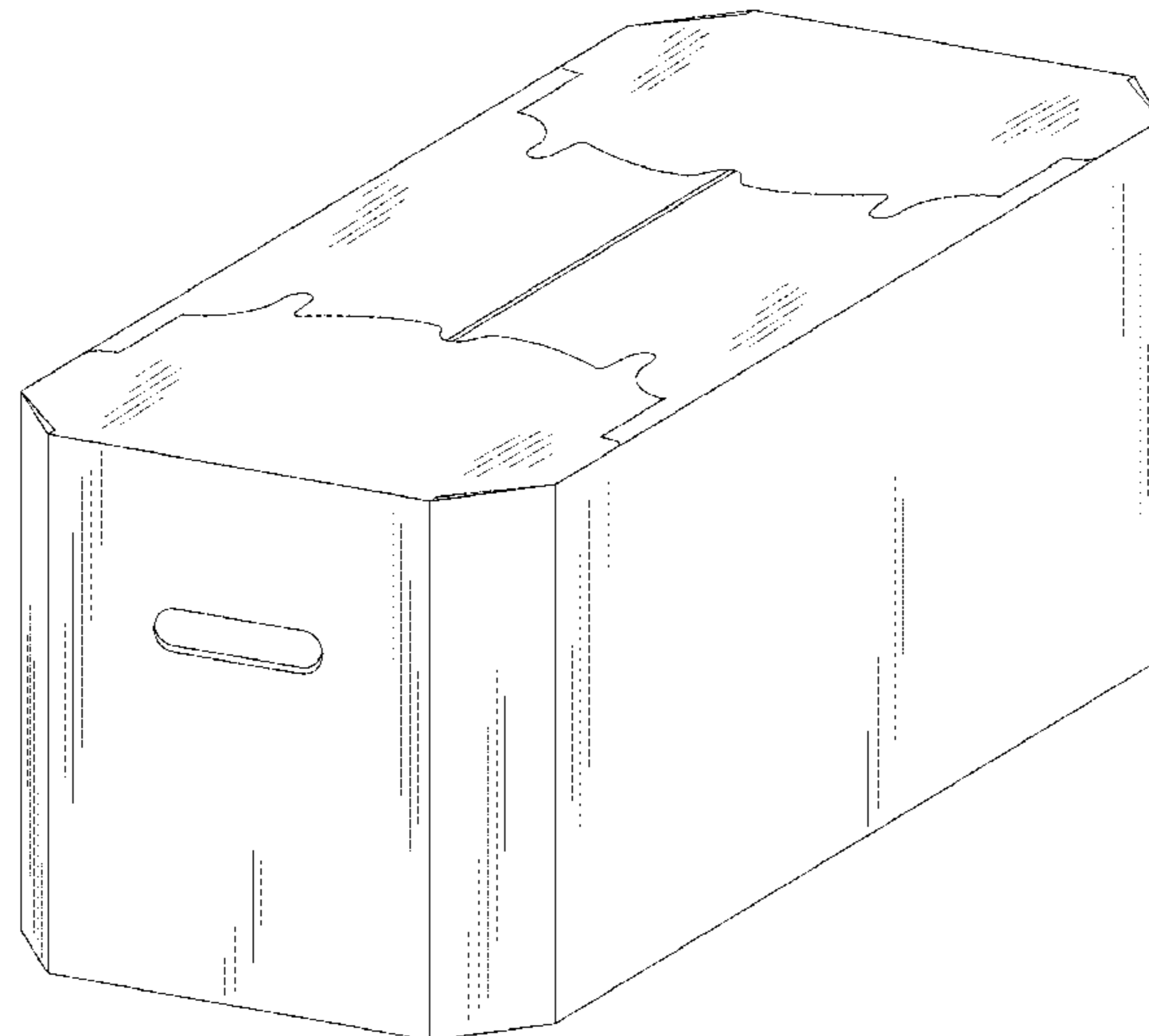
(57) **CLAIM**

The ornamental design for a box, as shown and described.

DESCRIPTION

FIG. 1 is a perspective view of the box showing my new design;
FIG. 2 is a front elevational view of the closed box thereof;
FIG. 3 is a right side elevational view of the closed box thereof;
FIG. 4 is a top plan view of the closed box thereof;
FIG. 5 is a perspective view of the unfolded box thereof;
FIG. 6 is a front elevational view of the unfolded box thereof;
FIG. 7 is a right side elevational view of the unfolded box thereof;
FIG. 8 is a left side elevational view of the unfolded box thereof;
FIG. 9 is a top plan view of the open box thereof; and,
FIG. 10 is a bottom plan view of the open box thereof.

1 Claim, 10 Drawing Sheets



(56)

References Cited

U.S. PATENT DOCUMENTS

2016/0207660 A1* 7/2016 Paiva B65D 5/0015

OTHER PUBLICATIONS

Produce Deline Box. [online] Published on Apr. 9, 2013. Retrieved Dec. 20, 2017 from URL:<http://www.delinebox.com/success-stories/produce>.*

* cited by examiner

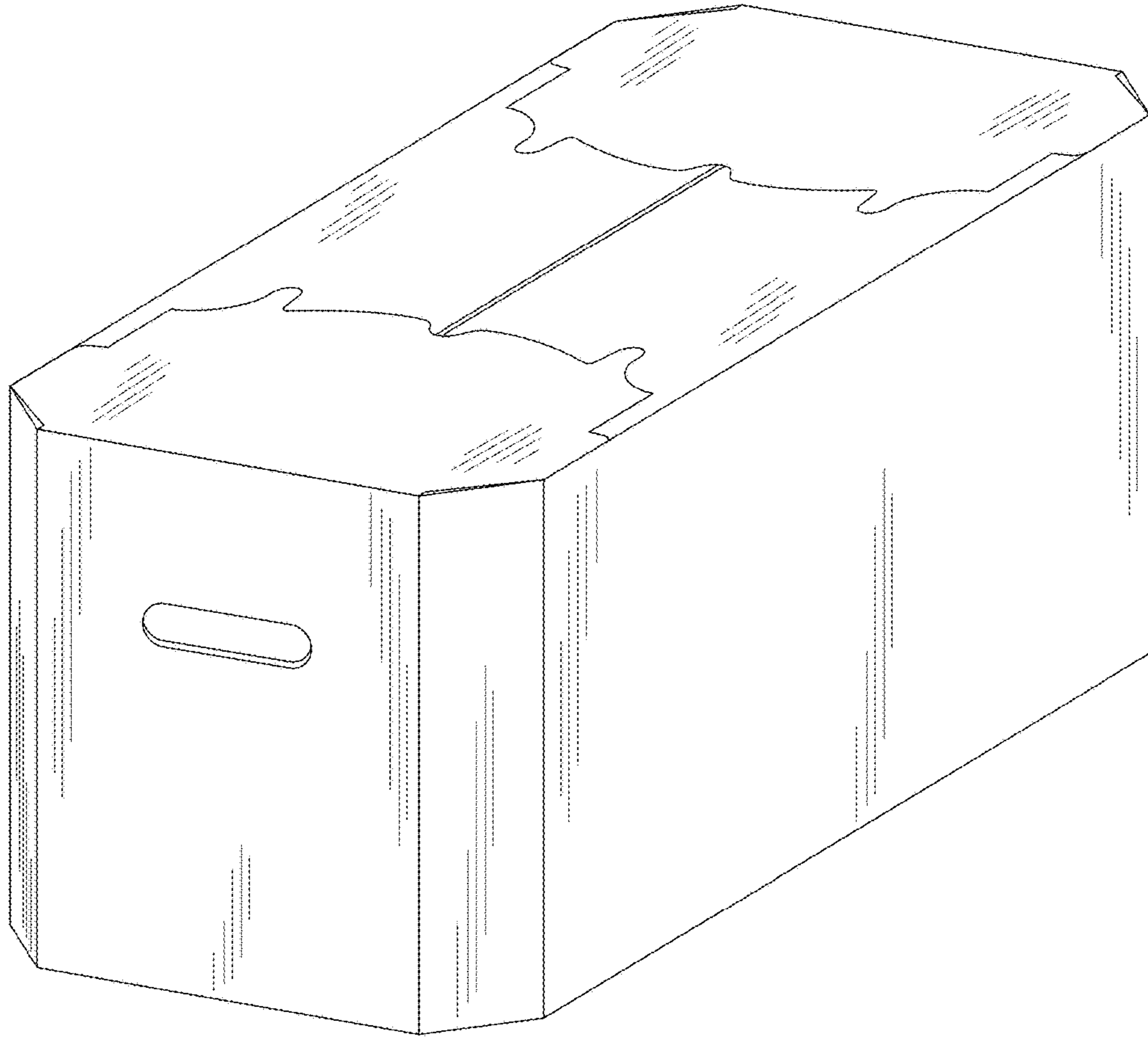


FIG. 1

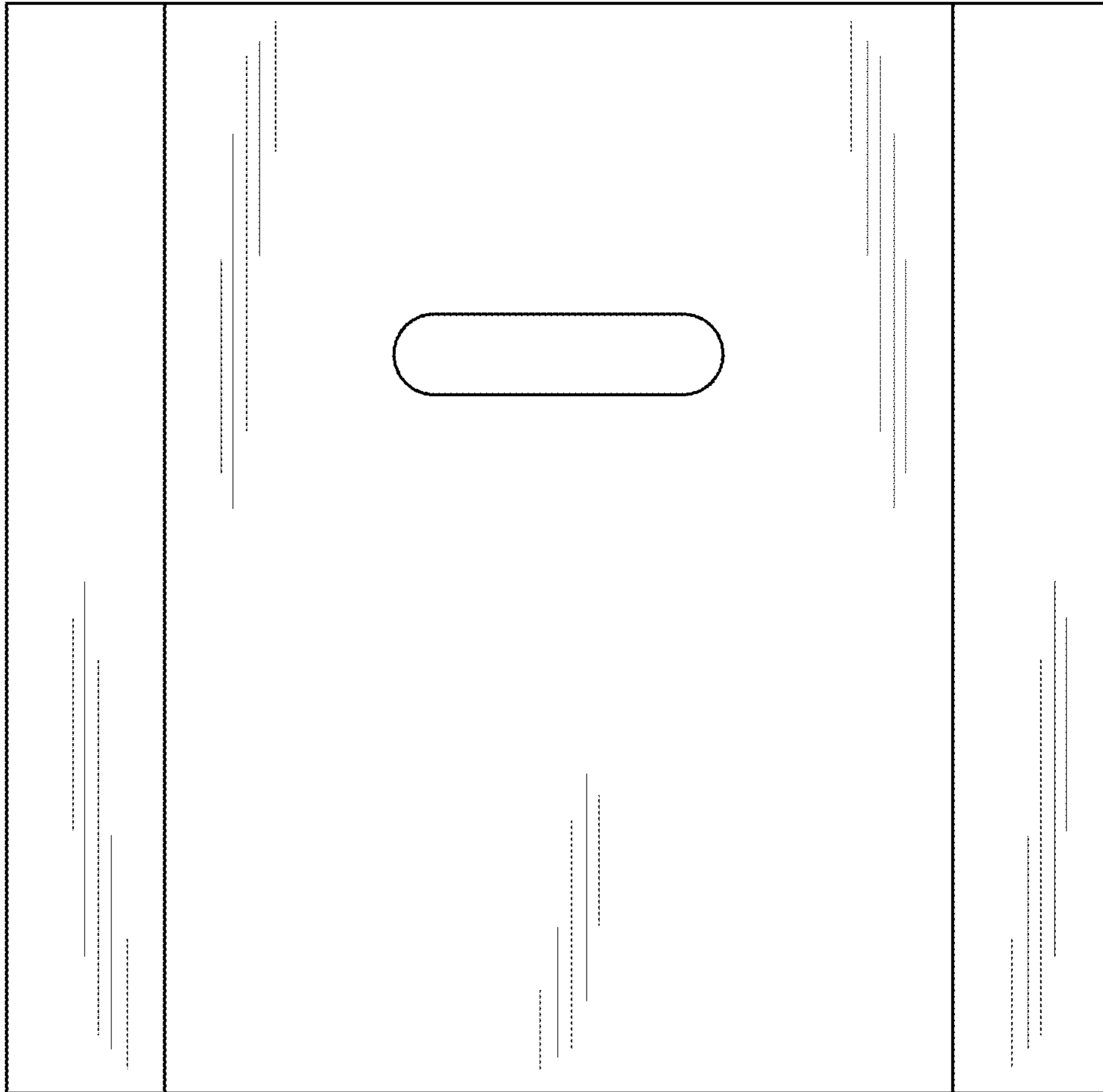


FIG. 2

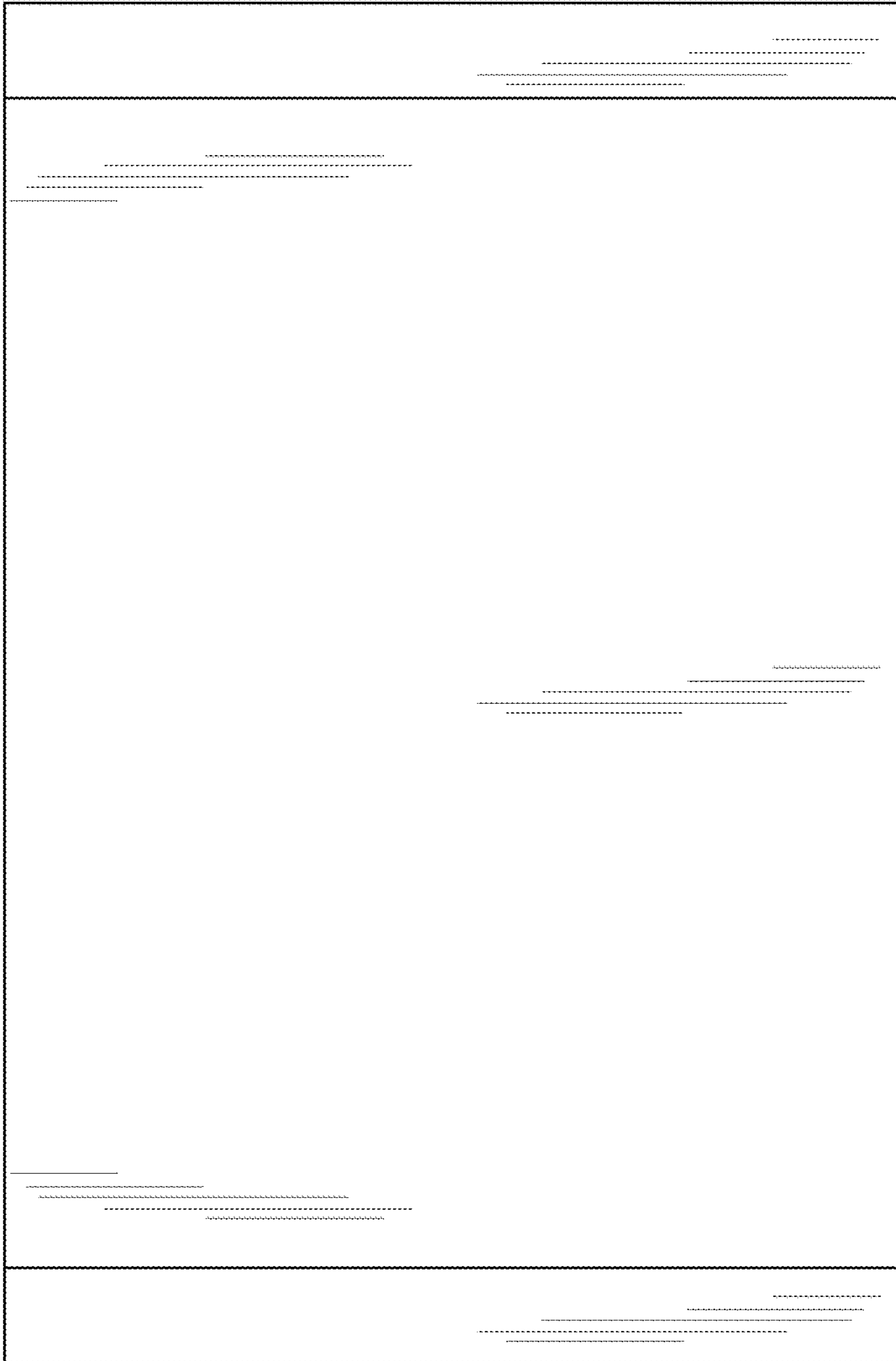


FIG. 3

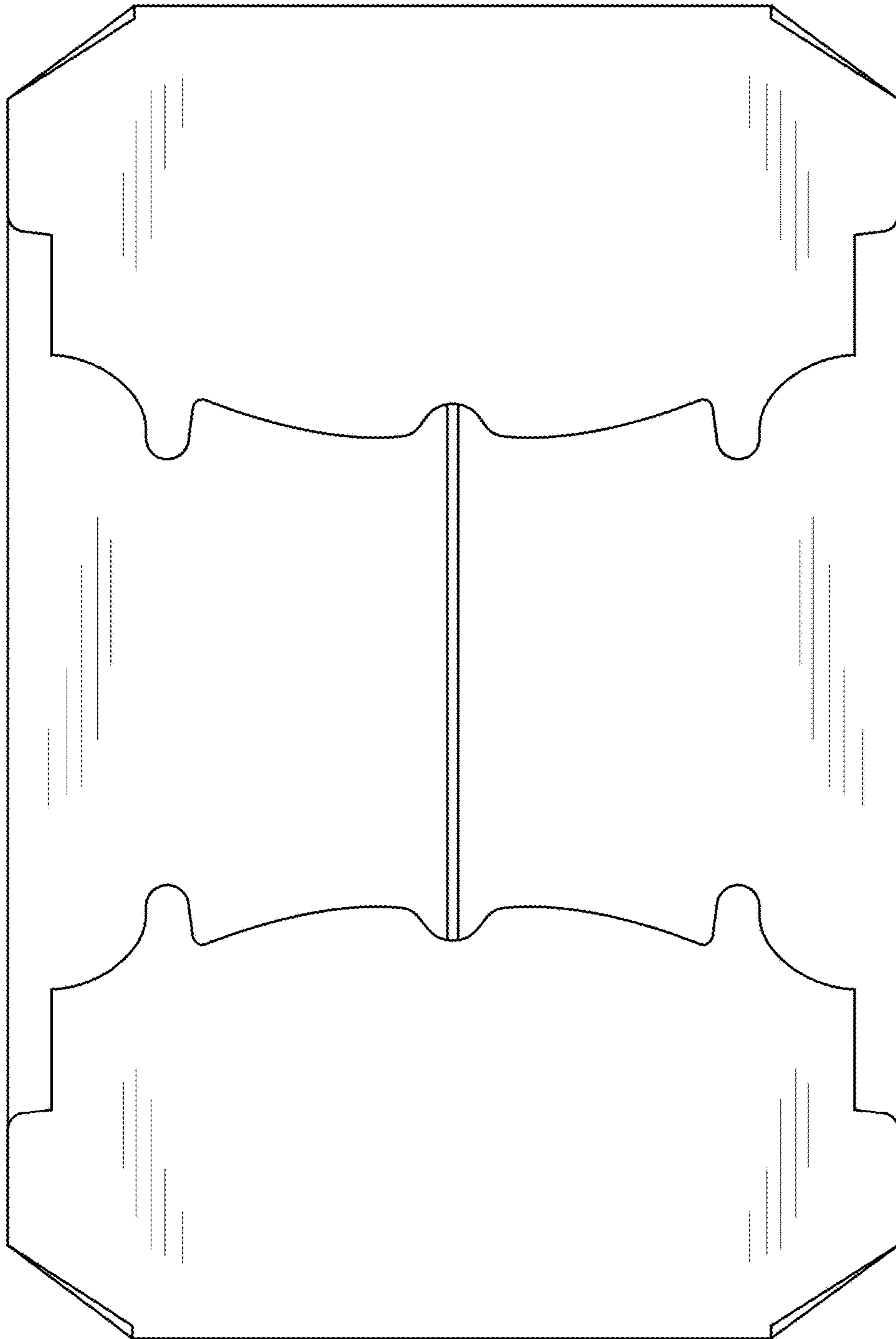


FIG. 4

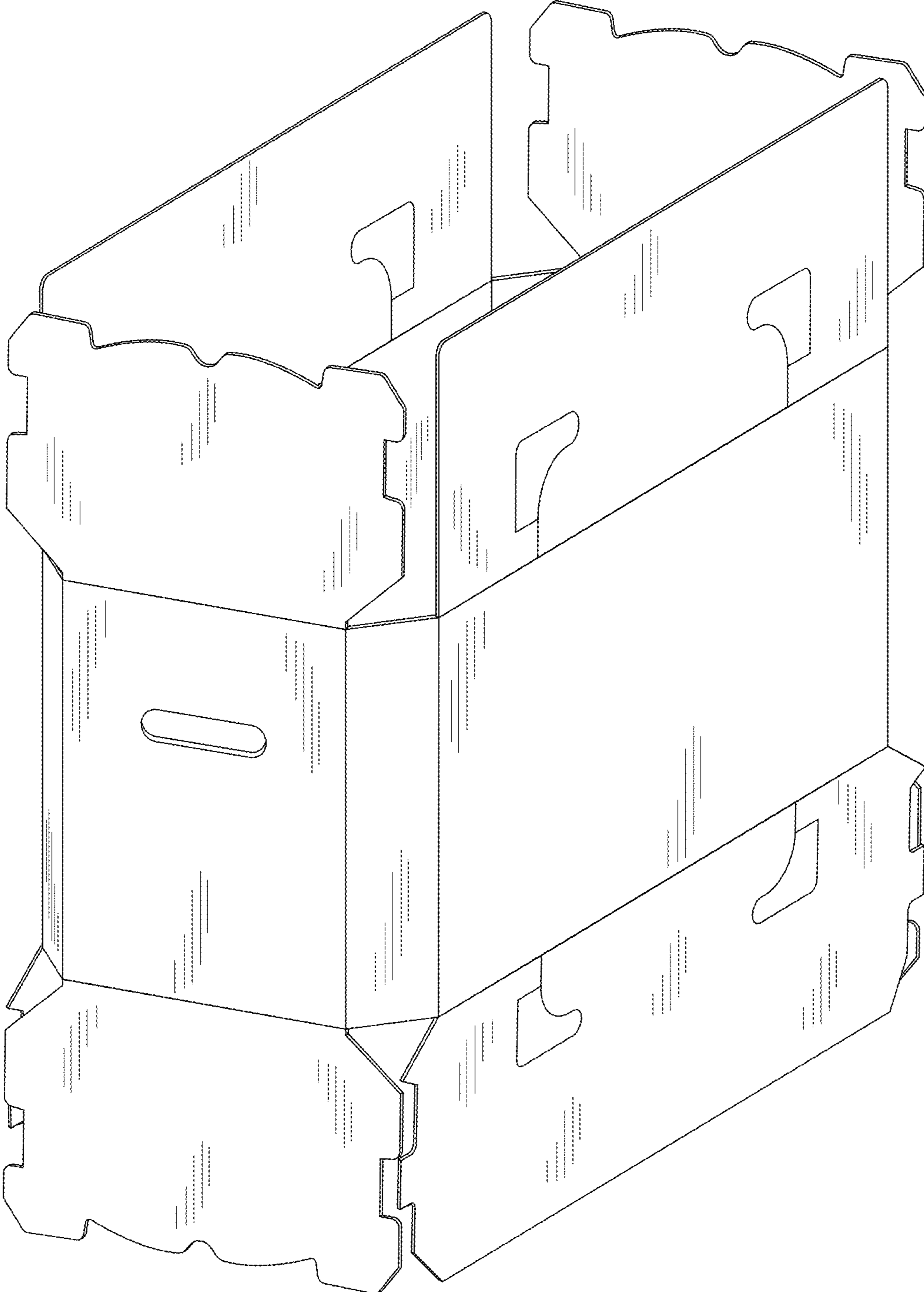


FIG. 5

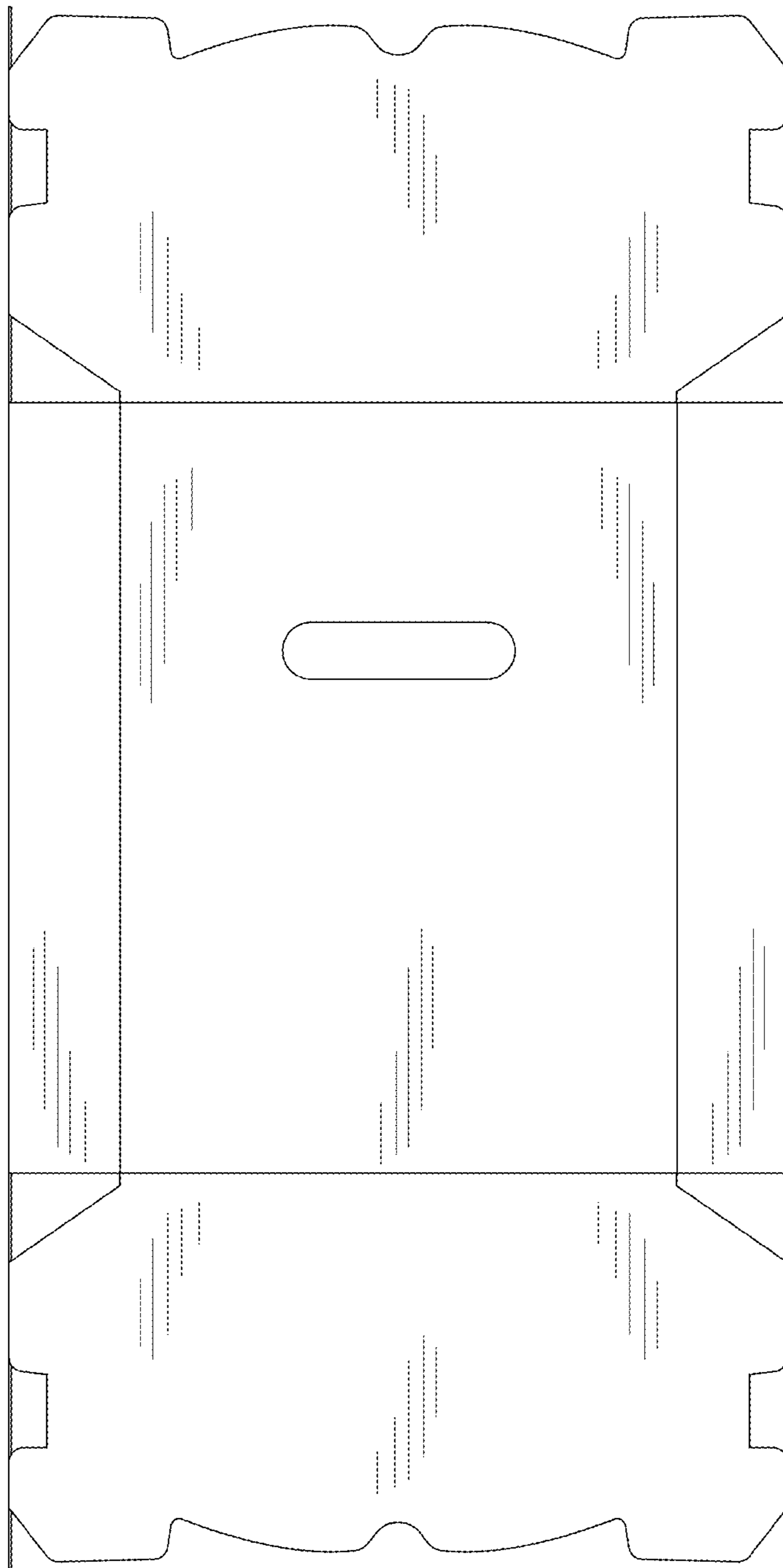


FIG. 6

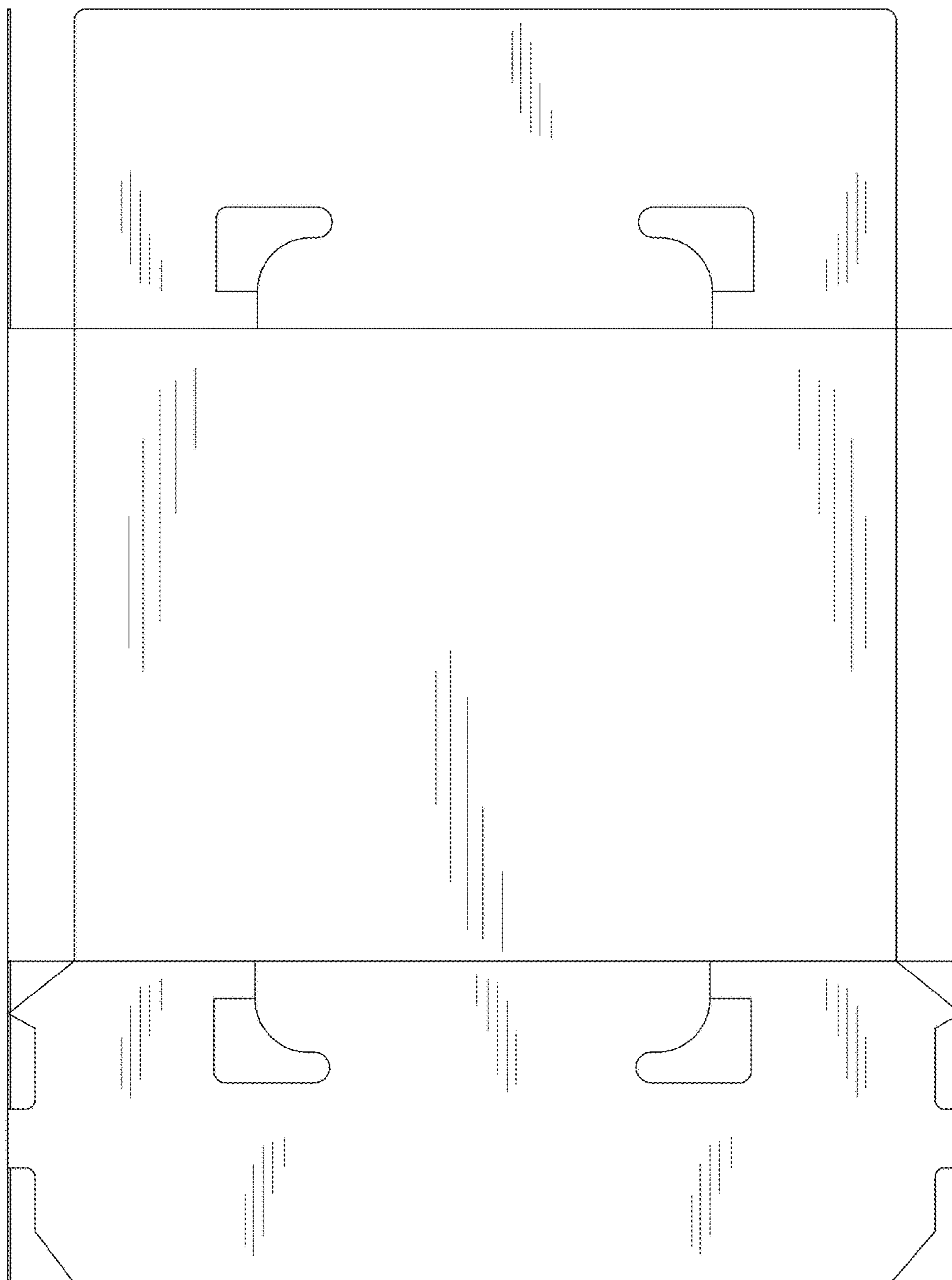


FIG. 7

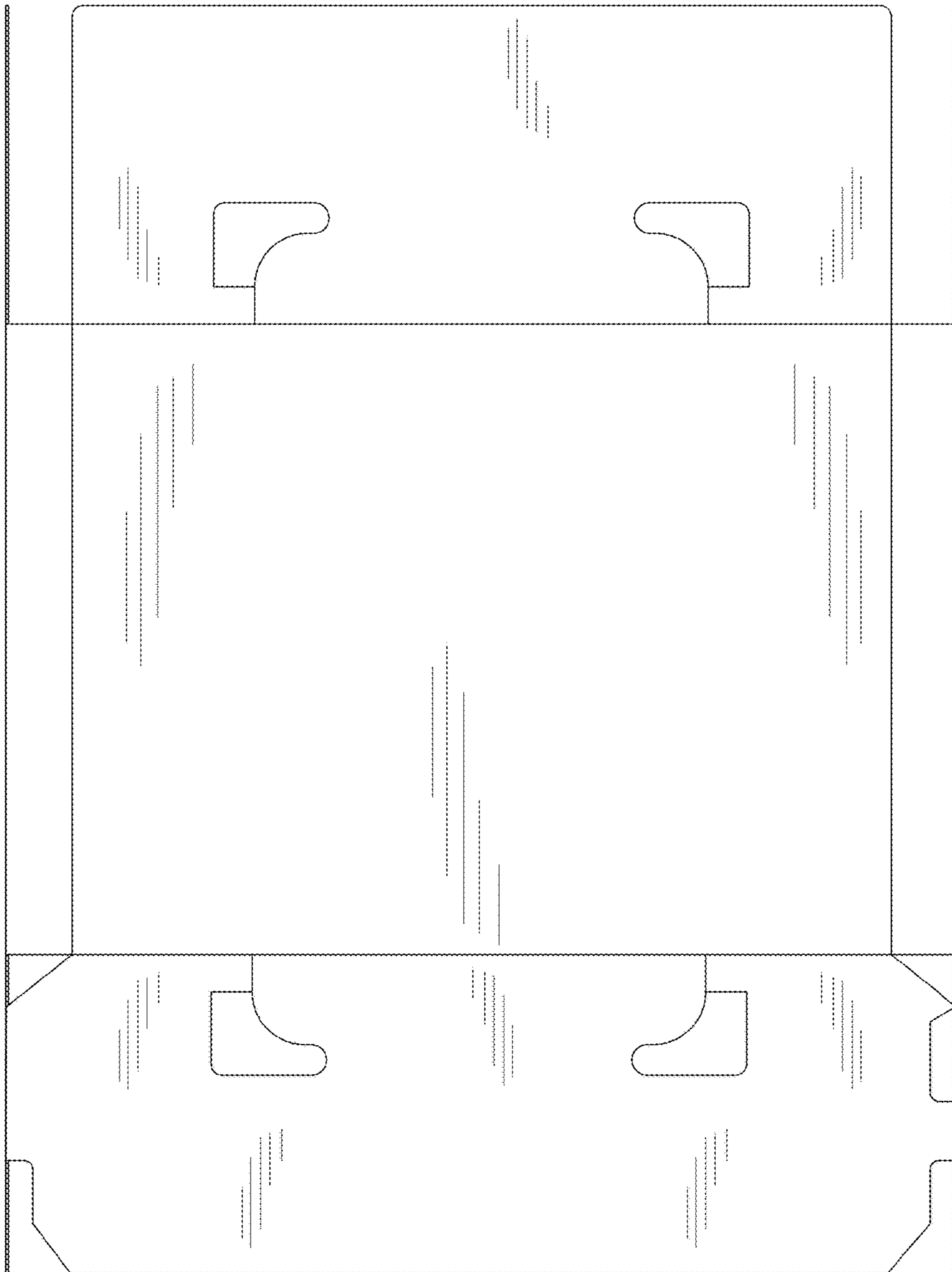


FIG. 8



FIG. 9

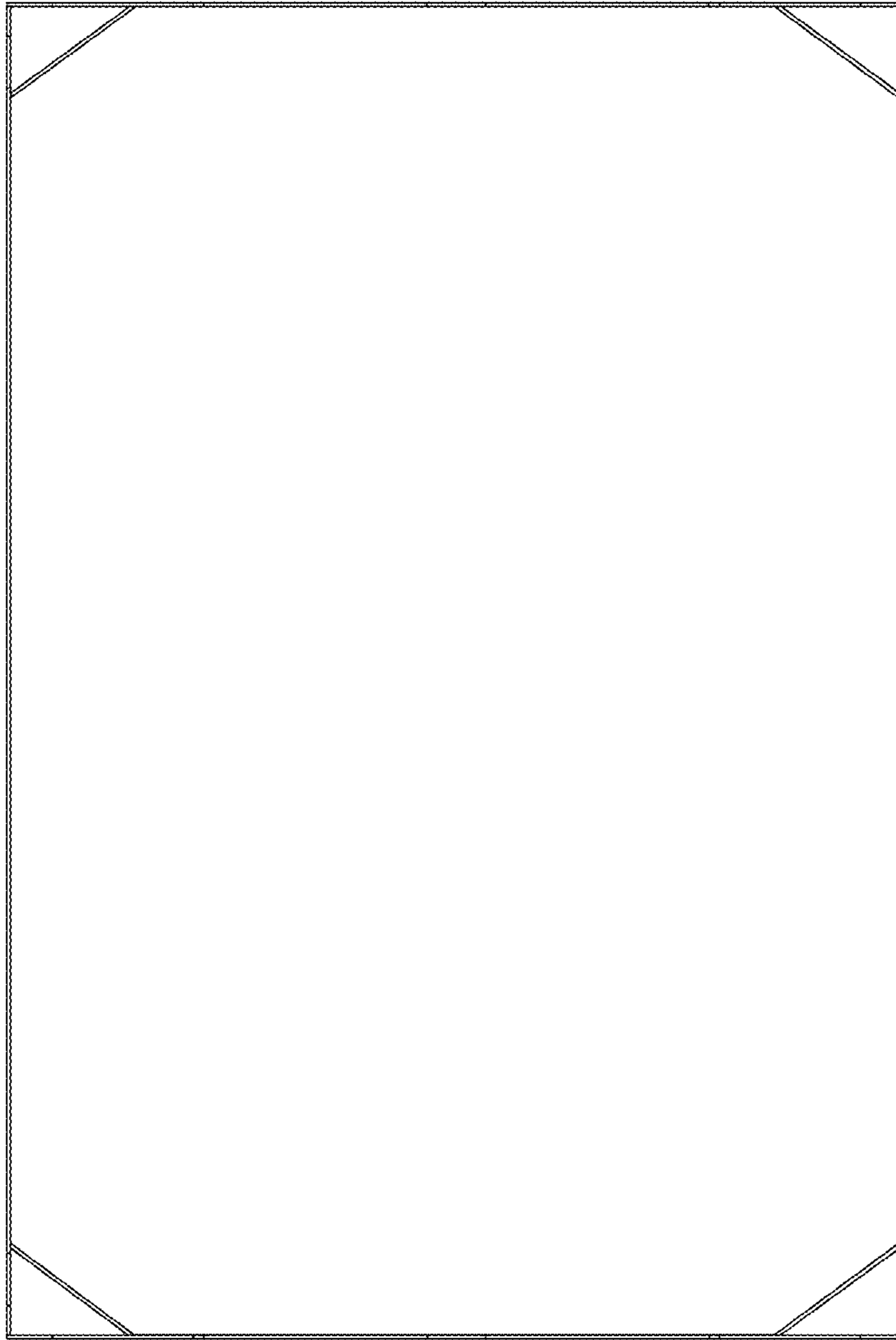


FIG. 10