



US00D814925S

(12) **United States Design Patent**
Davidson et al.

(10) **Patent No.:** **US D814,925 S**
(45) **Date of Patent:** **** Apr. 10, 2018**

(54) **CLOTHING PACKAGING**

- (71) Applicant: **THE MEN'S WEARHOUSE, INC.**,
Houston, TX (US)
- (72) Inventors: **Tom Davidson**, Albany, CA (US);
Lauren Barr, Oakland, CA (US);
Susannah Smith, San Francisco, CA
(US); **Theresa Scripps**, St. Helena, CA
(US); **Jamie Herbstman**, Lafayette, CA
(US); **Pamela Resser**, Foster City, CA
(US); **Doug Simpson**, Richmond, VA
(US)

(73) Assignee: **The Men's Wearhouse, Inc.**, Houston,
TX (US)

(**) Term: **15 Years**

(21) Appl. No.: **29/573,493**

(22) Filed: **Aug. 5, 2016**

(51) **LOC (11) Cl.** **09-03**

(52) **U.S. Cl.**
USPC **D9/430**

(58) **Field of Classification Search**
USPC D9/414-434, 442-445, 456, 457, 542,
D9/563, 600, 614-624, 655, 657, 658,
(Continued)

(56) **References Cited**

U.S. PATENT DOCUMENTS

- D434,651 S * 12/2000 Guzman D9/422
 - D490,705 S * 6/2004 Olsson D9/432
- (Continued)

OTHER PUBLICATIONS

Here's How to Rent a Tux. [online] Published date unknown.
Retrieved on Jul. 18, 2017 from <URL: <https://tuxedo.menswearhouse.com/howToRent.do>>.*

Primary Examiner — Vy N Koenig
Assistant Examiner — Omeed Agilee
(74) *Attorney, Agent, or Firm* — Kilpatrick Townsend &
Stockton LLP

(57) **CLAIM**

The ornamental design for a clothing packaging, as shown
and described.

DESCRIPTION

FIG. 1 is a front, left, and top perspective view of a clothing packaging in a closed configuration showing our new design;

FIG. 2 is an exploded assembly view thereof, showing the two components of the design separately;

FIG. 3 is an exploded view thereof; showing the second component in use;

FIG. 4 is a front, left, and top perspective view of the clothing packaging, showing the two components in an open configuration;

FIG. 5 is a top view of a the first component of the clothing packaging in a closed configuration;

FIG. 6 is a bottom view thereof;

FIG. 7 is a front view thereof;

FIG. 8 is a rear view thereof;

FIG. 9 is a left view thereof;

FIG. 10 is a right view thereof;

FIG. 11 is a front, left, and top perspective view of the first component of the clothing packaging in an open configuration showing it separately from the first component for the ease of illustration.

FIG. 12 is a front, left, and top perspective view of a second component of the clothing packaging in a closed configuration showing it separately from the first component for the ease of illustration.

FIG. 13 is a top view thereof;

FIG. 14 is a bottom view thereof;

FIG. 15 is a front view thereof;

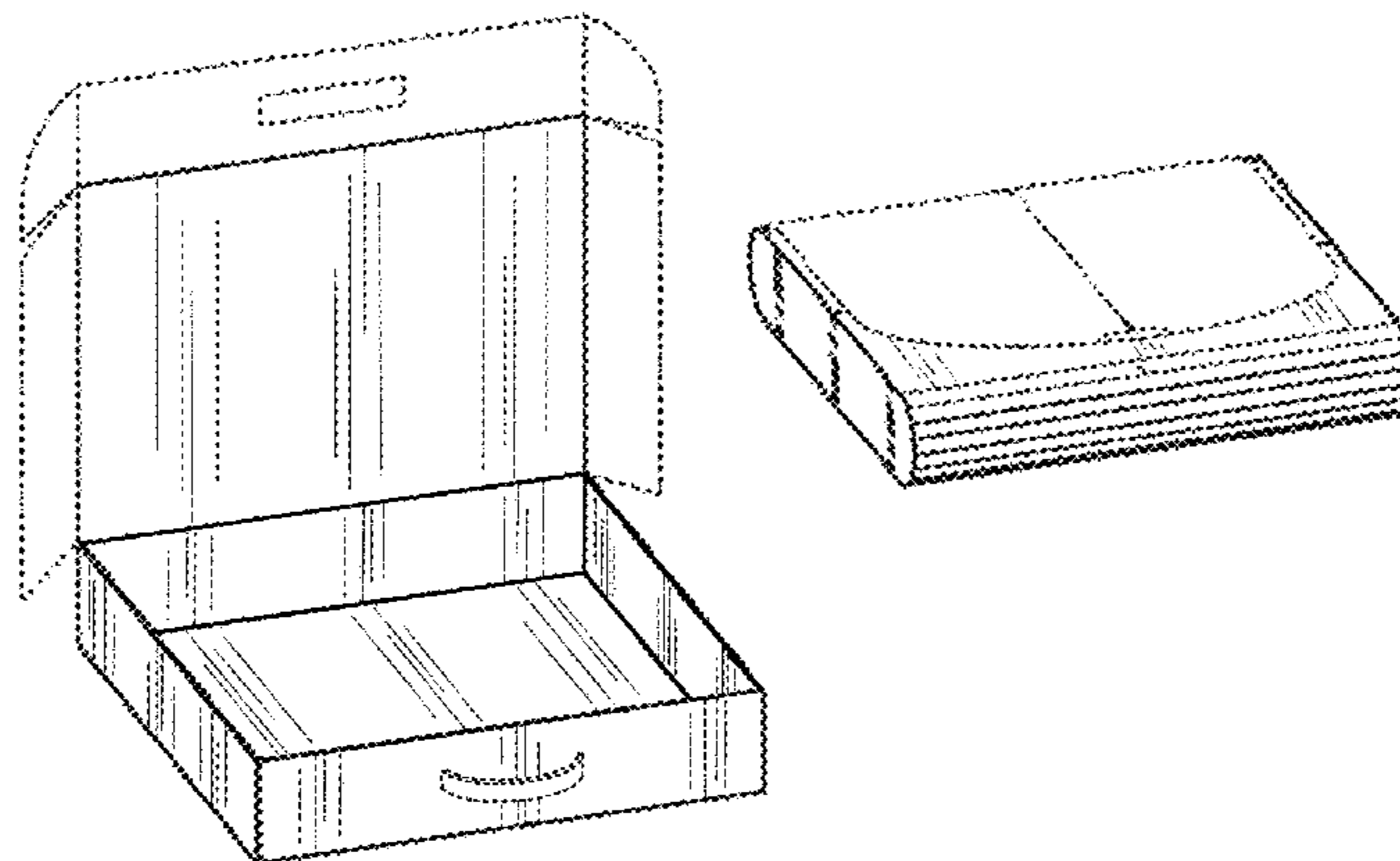
FIG. 16 is a rear view thereof;

FIG. 17 is a left view thereof;

FIG. 18 is a right view thereof; and,

FIG. 19 is a front, left, and top perspective view thereof in an open configuration.

(Continued)



The broken lines and unshaded areas encompassed by broken lines depict environmental subject matter and form no part of the claimed design.

1 Claim, 13 Drawing Sheets

(58) **Field of Classification Search**

USPC D9/661, 685, 696, 697-699, 707, 708,
 D9/711, 754, 759, 761-762, 772-776;
 D3/273, 276, 304, 305, 307; D7/601,
 D7/602, 709
 CPC B65D 5/00; B65D 5/001; B65D 5/0015;
 B65D 5/0227-5/0254; B65D 5/18; B65D
 5/38; B65D 5/40; B65D 5/2033; B65D
 5/6605; B65D 5/48024; B65D 1/22;
 B65D 1/24; B65D 1/34; B65B 5/06

See application file for complete search history.

(56)

References Cited

U.S. PATENT DOCUMENTS

D521,862	S *	5/2006	Siethoff	D9/432
D690,592	S *	10/2013	Ding	D9/432
D692,754	S *	11/2013	Akana	D9/431
D725,480	S *	3/2015	Lipman	D9/418
D731,323	S *	6/2015	O'Neill	D9/721
D764,288	S *	8/2016	Simonetti	D9/432
D770,299	S *	11/2016	Andrews	D9/631
D783,399	S *	4/2017	Williams	A01K 39/0113 D9/447
D785,452	S *	5/2017	Lee	D9/432
D789,153	S *	6/2017	Bar	D7/601
D789,785	S *	6/2017	Fujiwara	D9/424
2007/0251983	A1 *	11/2007	Freeze	A61J 7/0069 229/125.125

* cited by examiner

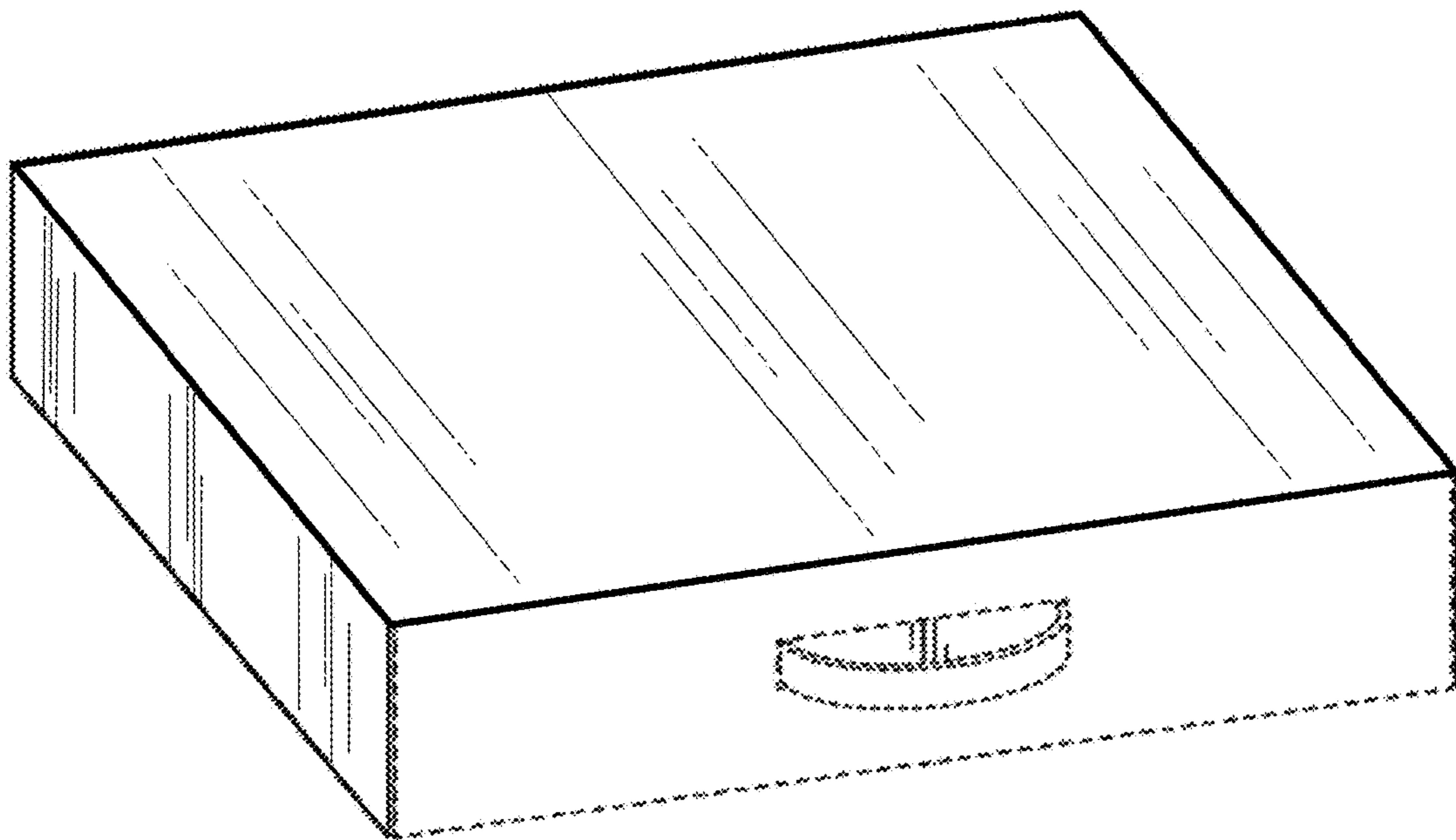


FIG. 1

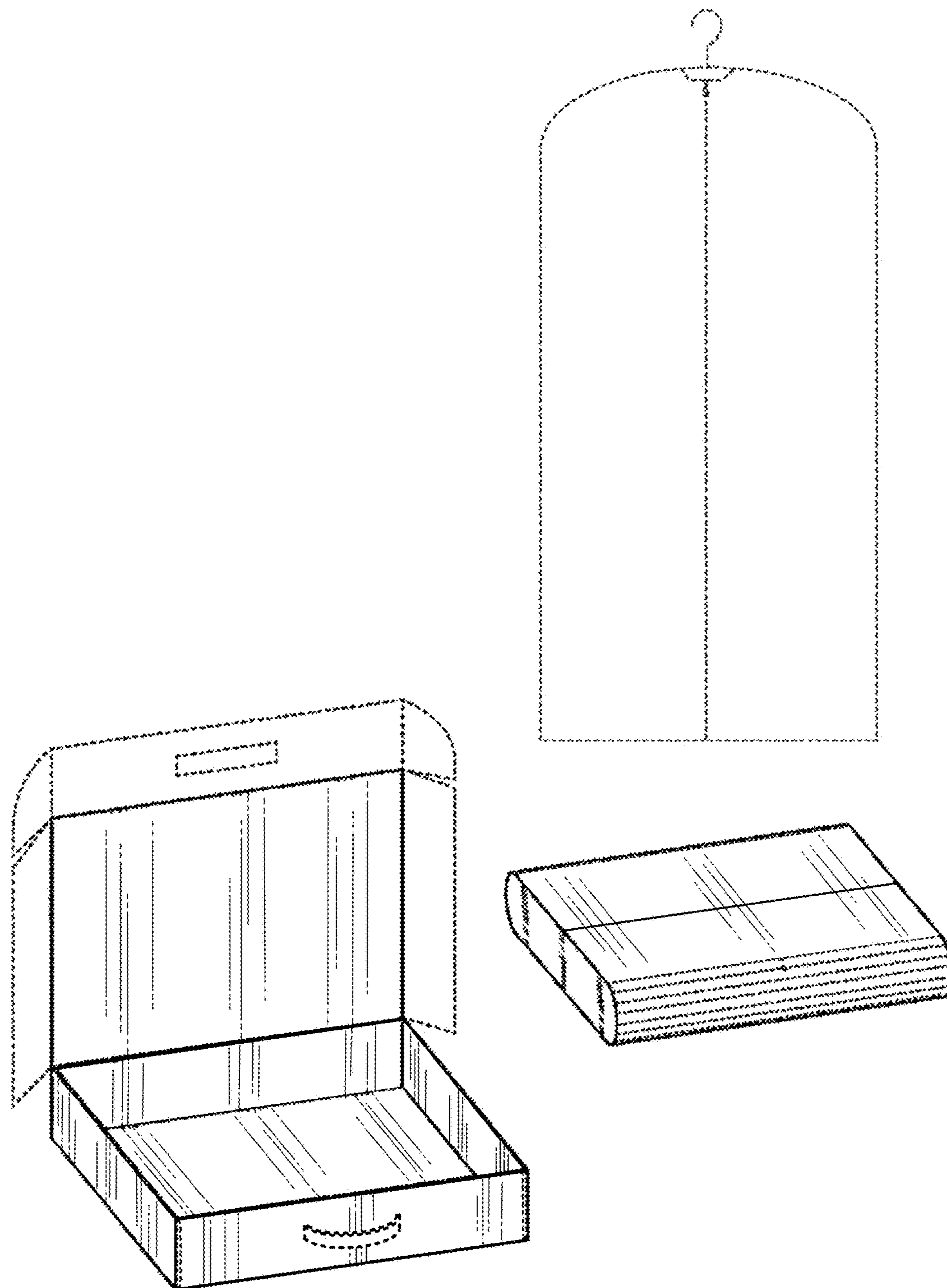


FIG. 2

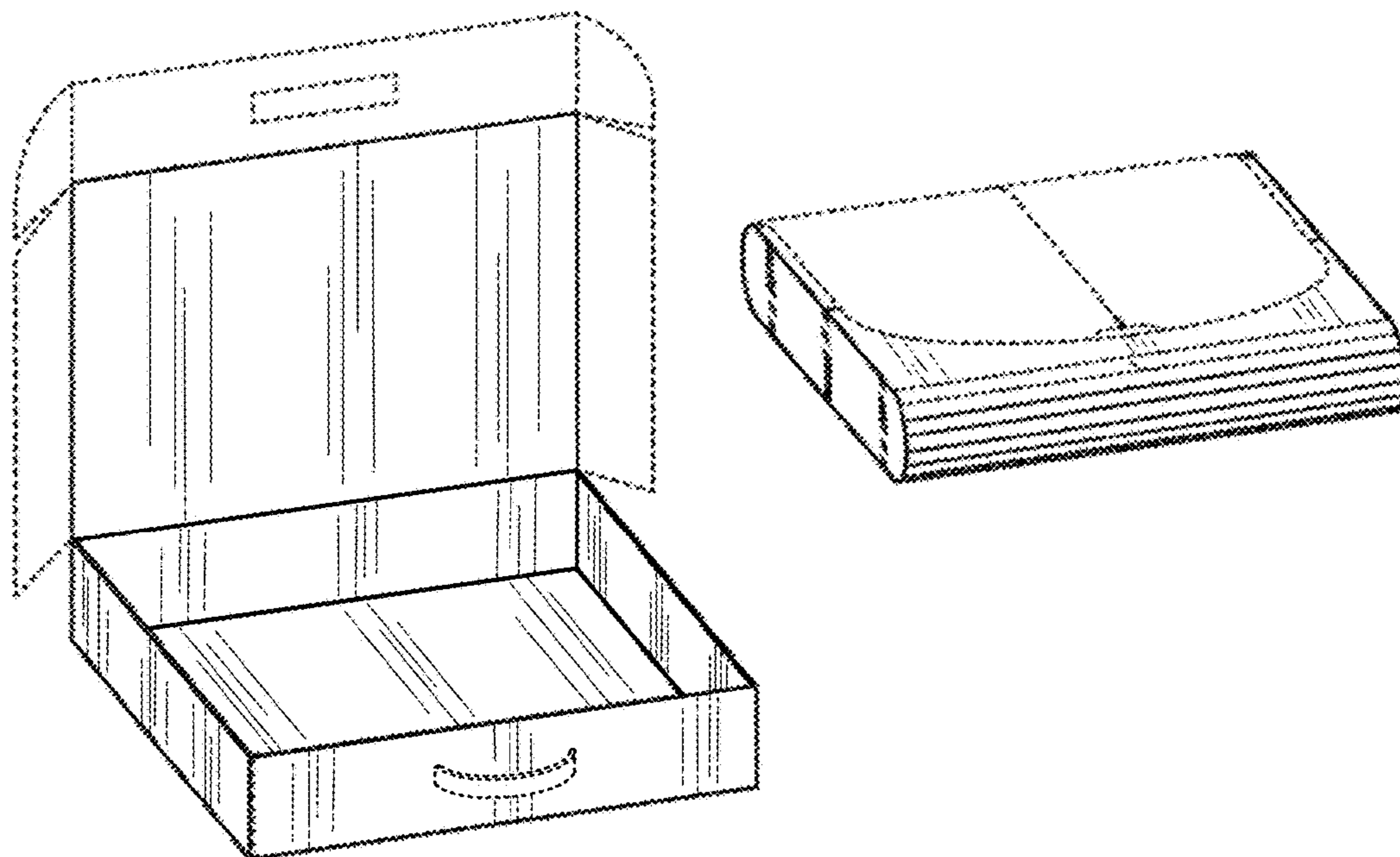


FIG. 3

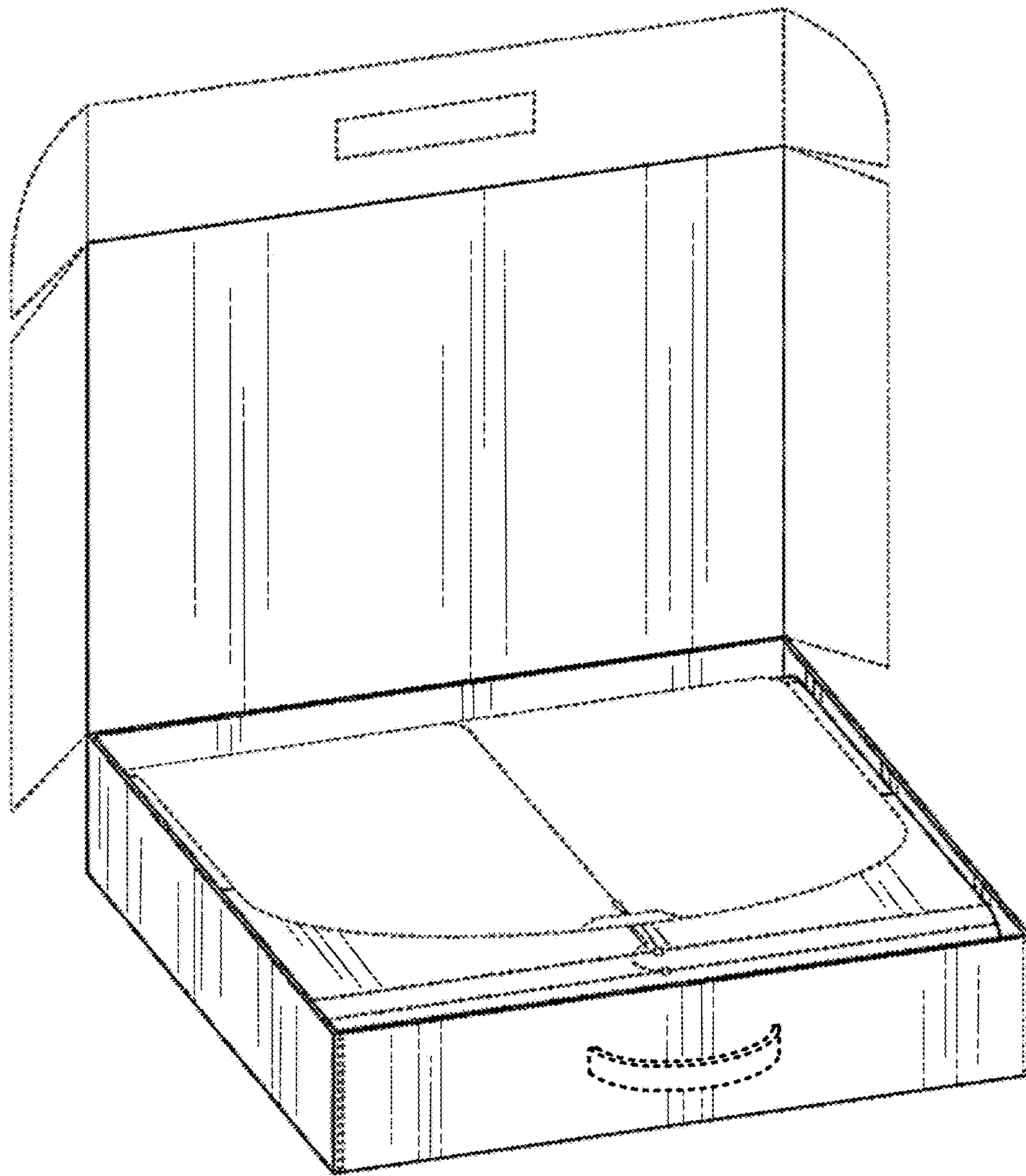


FIG. 4

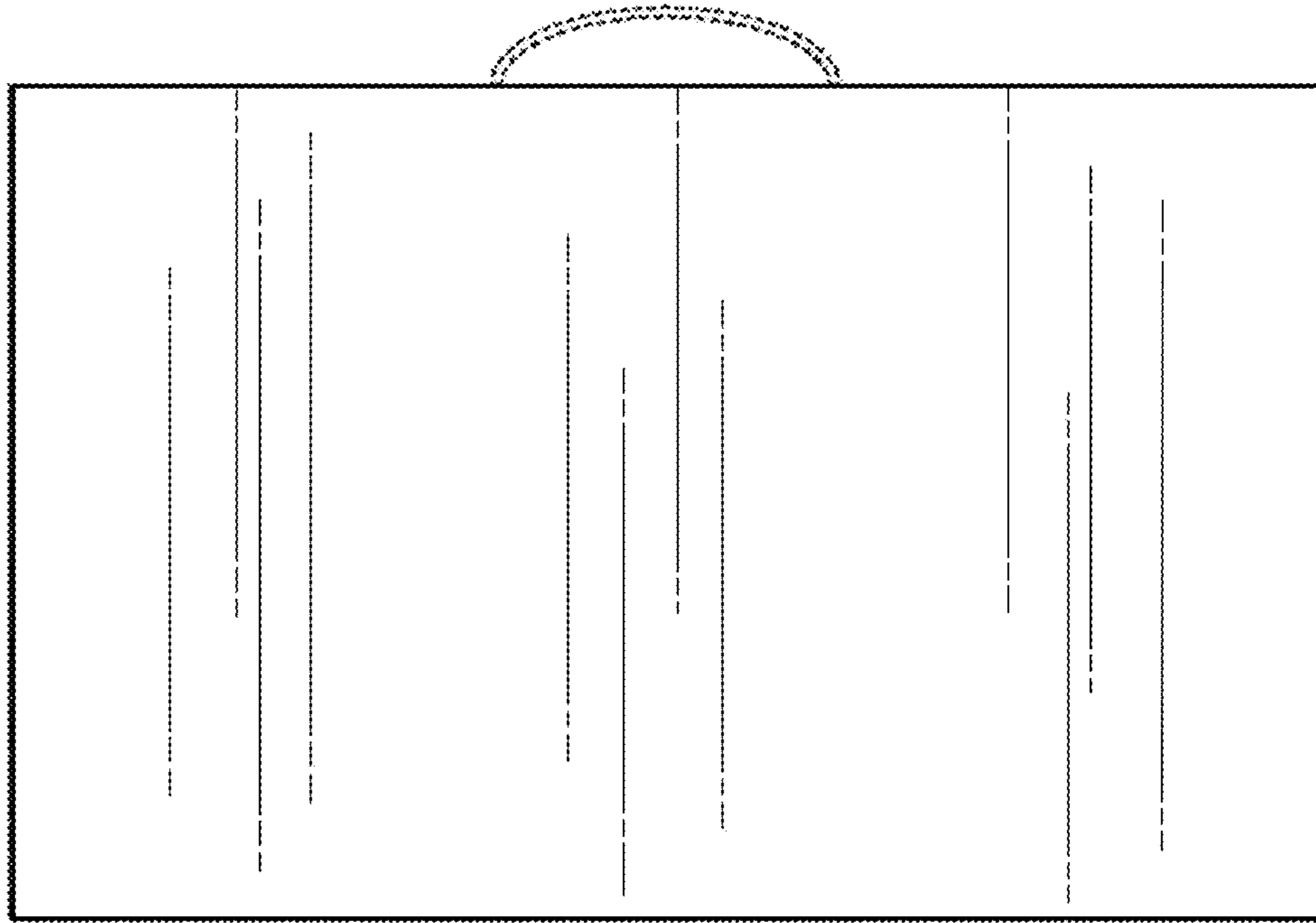


FIG. 5

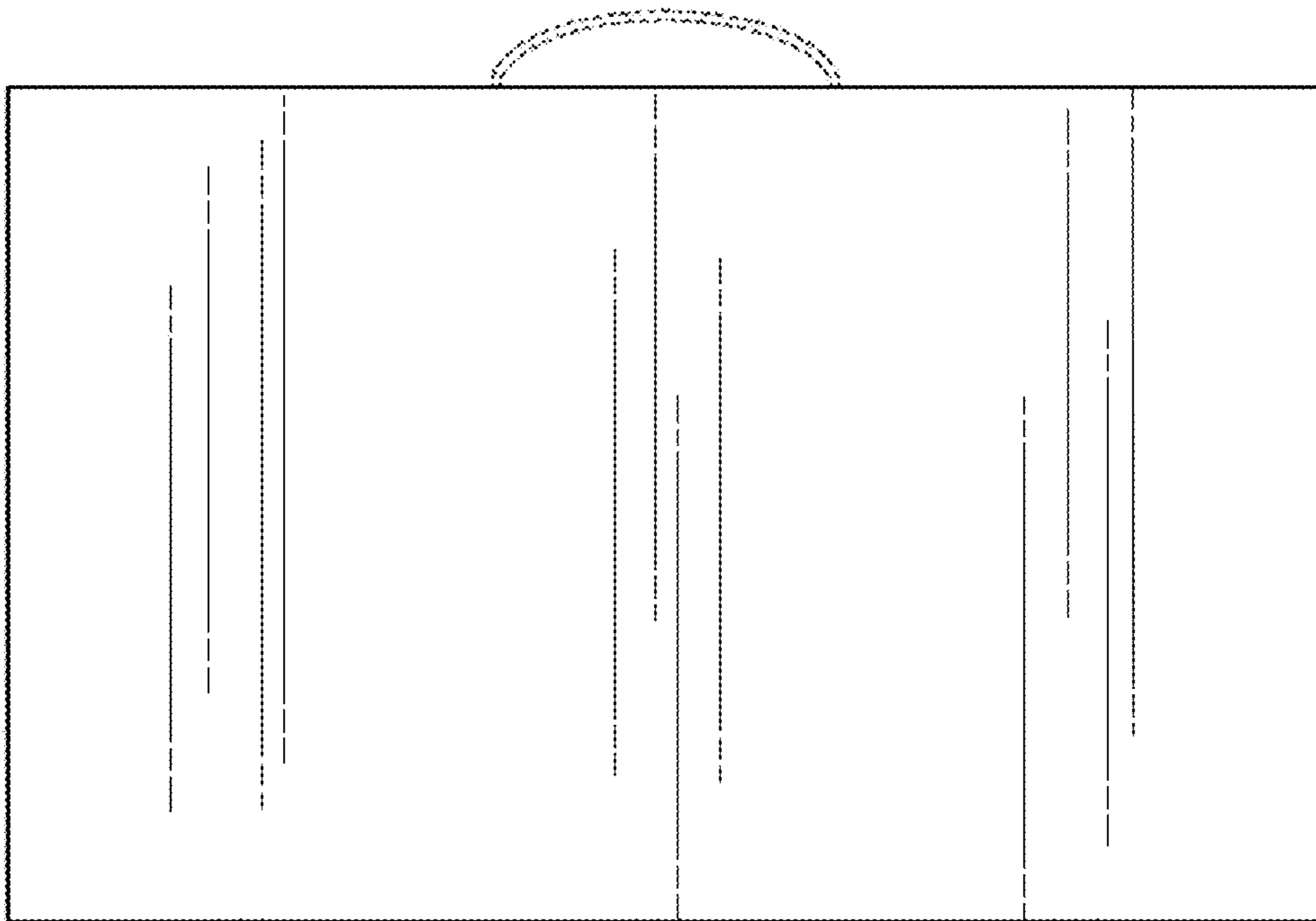


FIG. 6

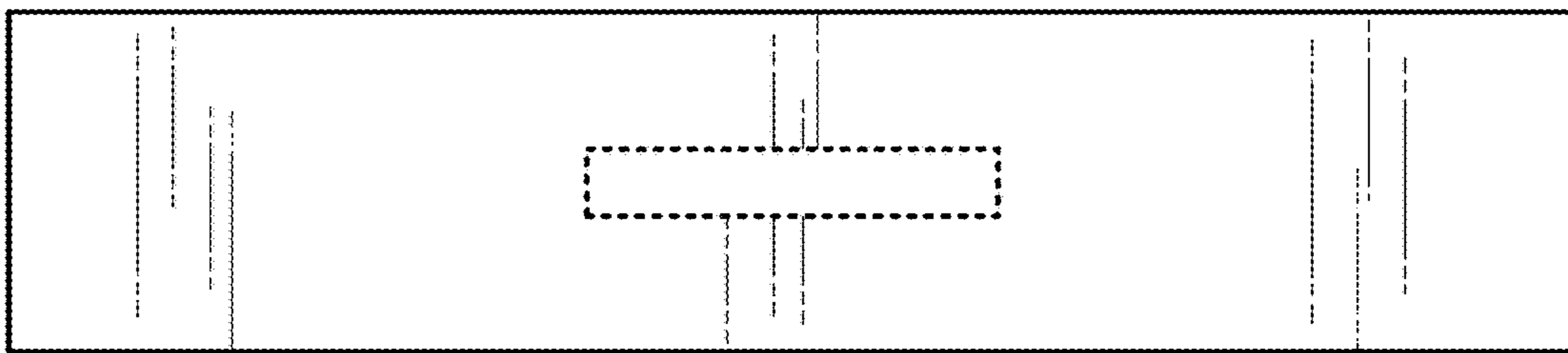


FIG. 7

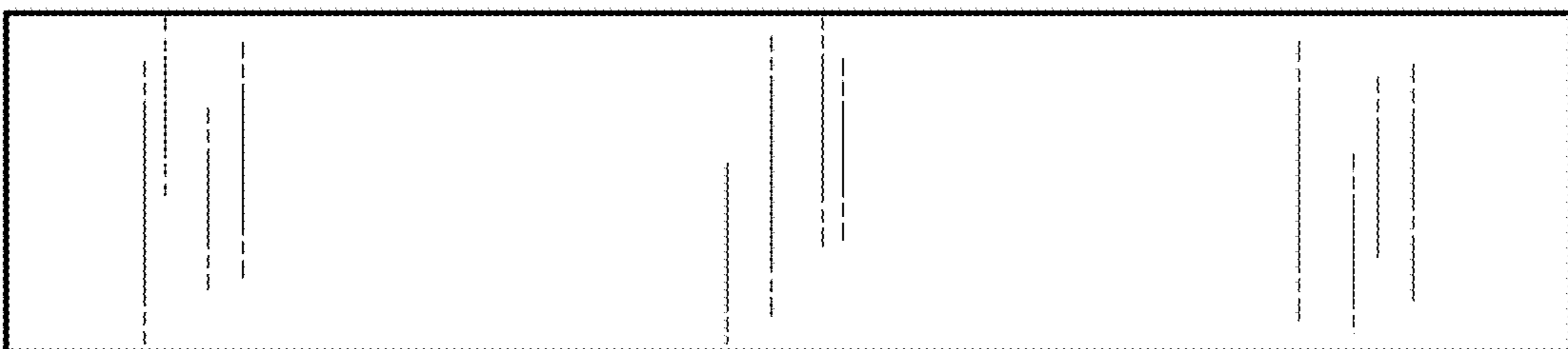


FIG. 8



FIG. 9

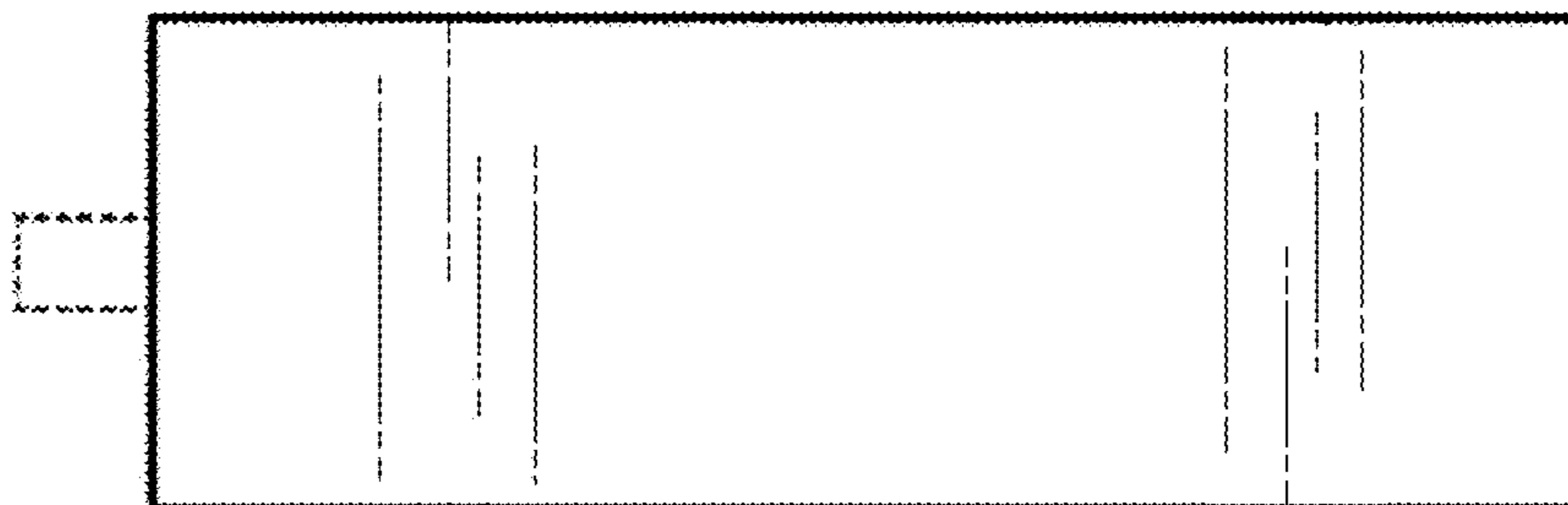


FIG. 10

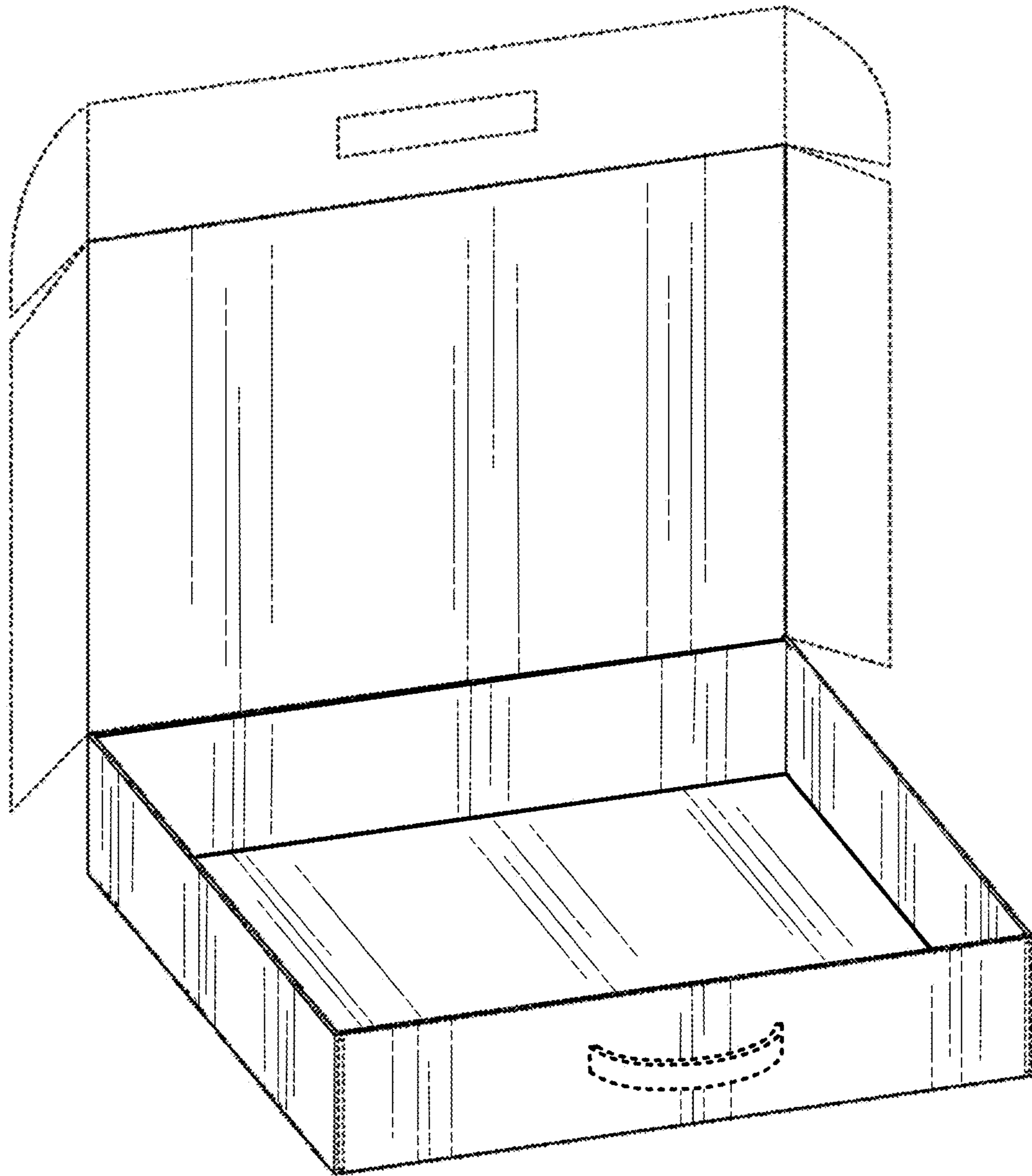


FIG. 11

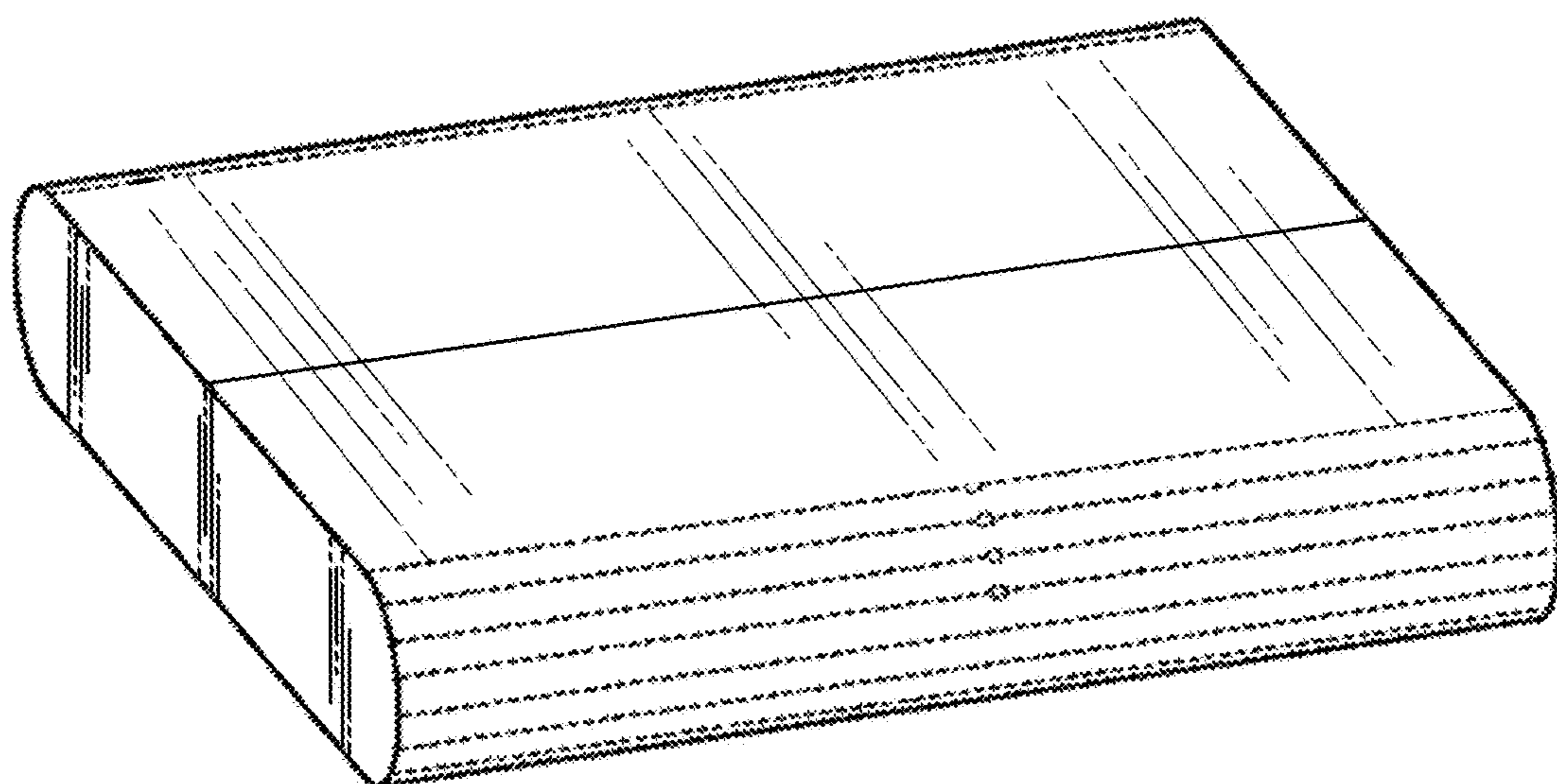


FIG. 12

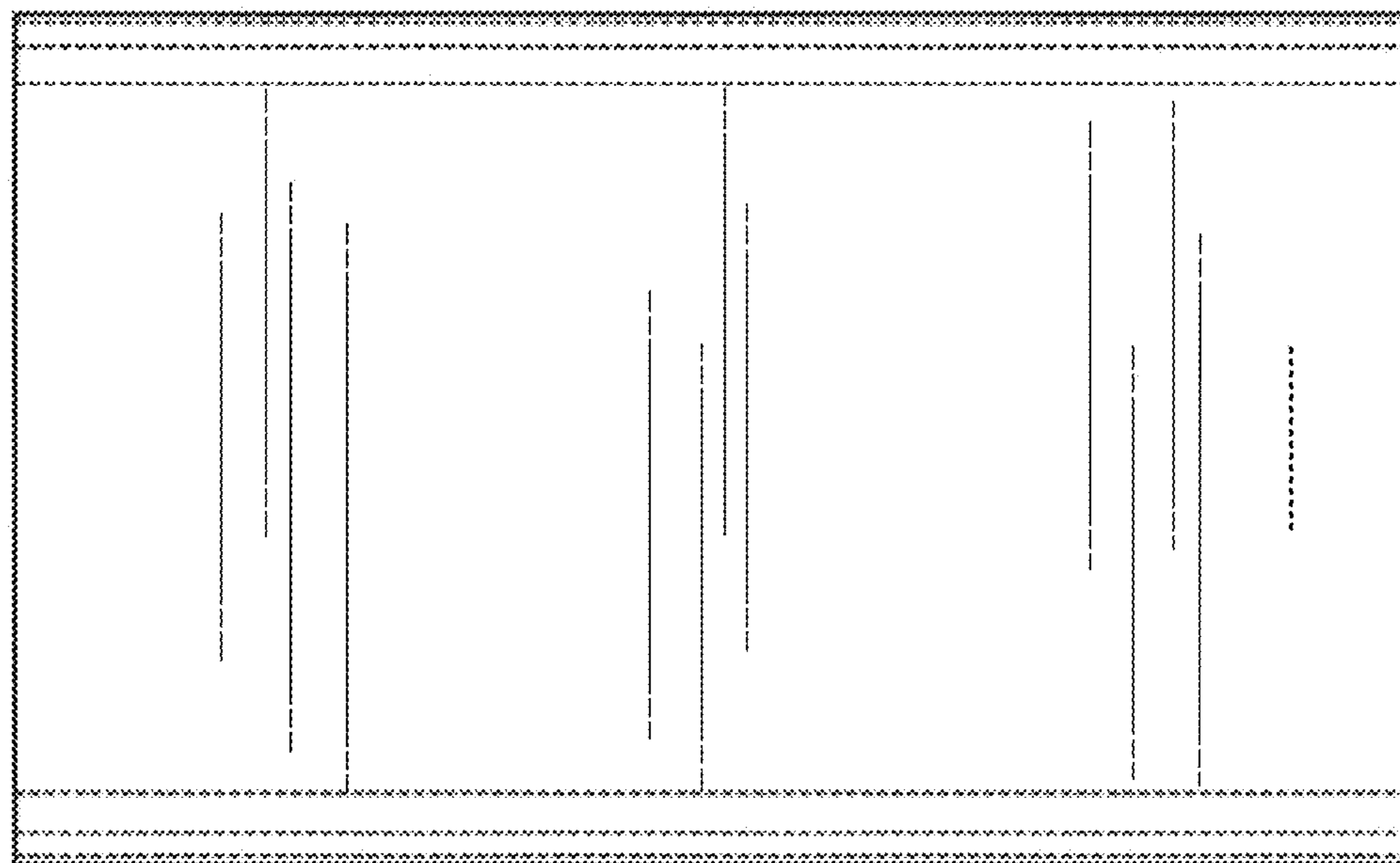


FIG. 13

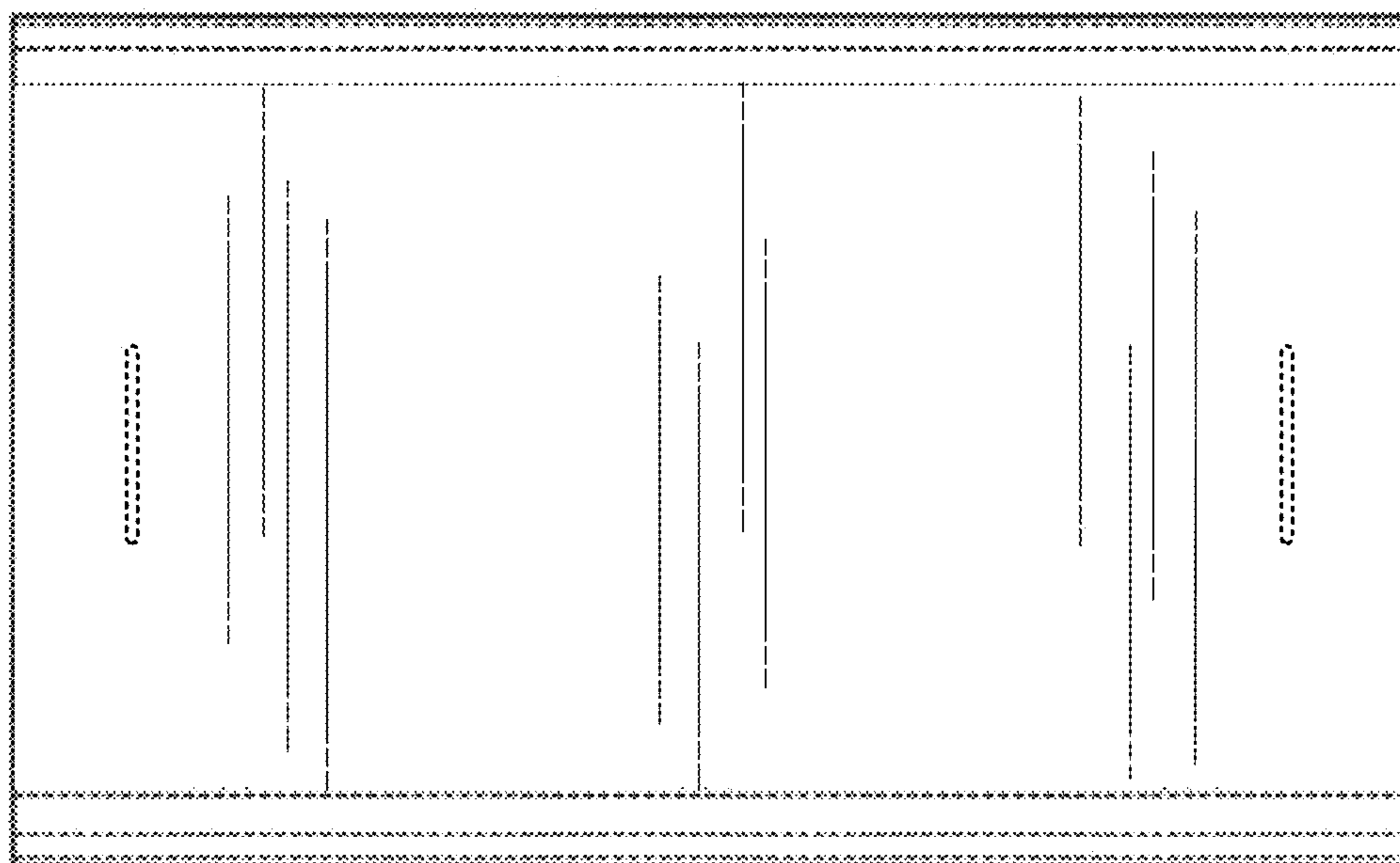


FIG. 14

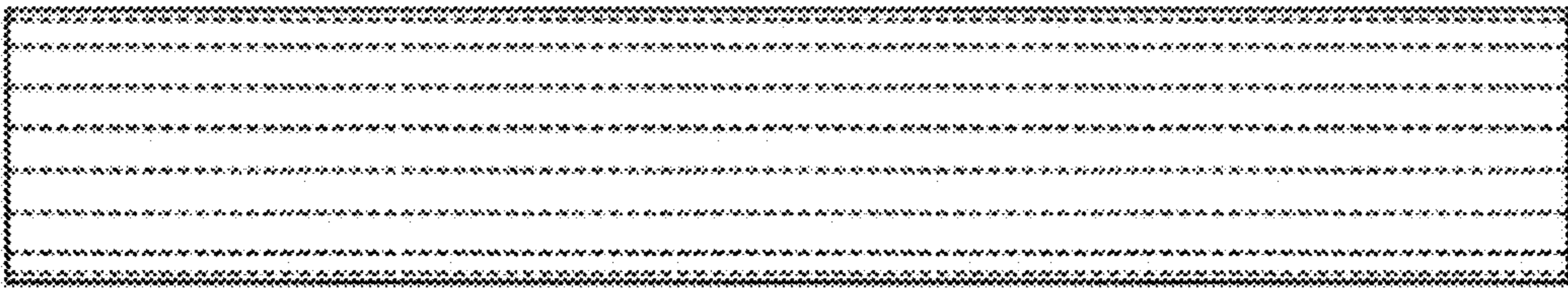


FIG. 15

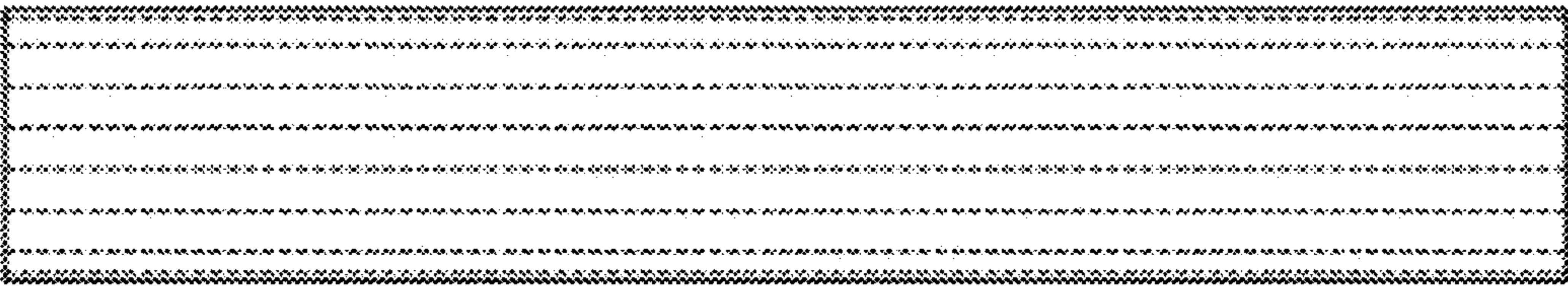


FIG. 16

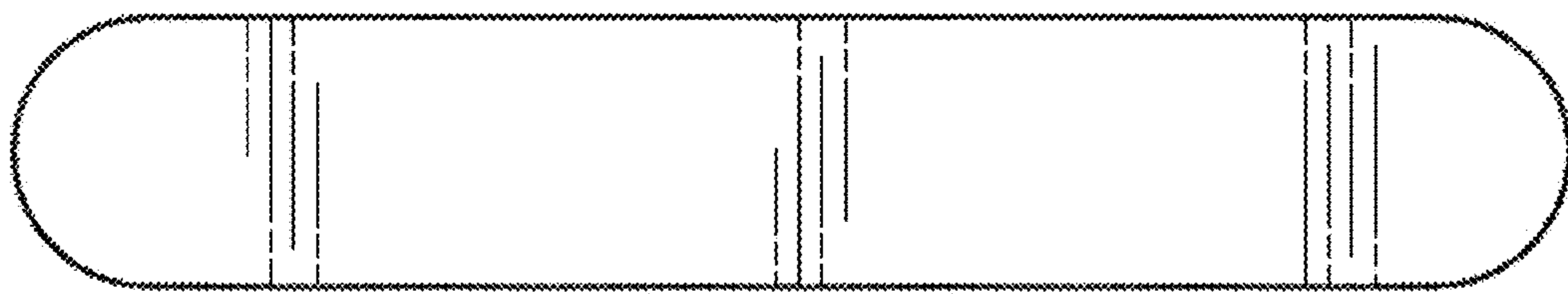


FIG. 17

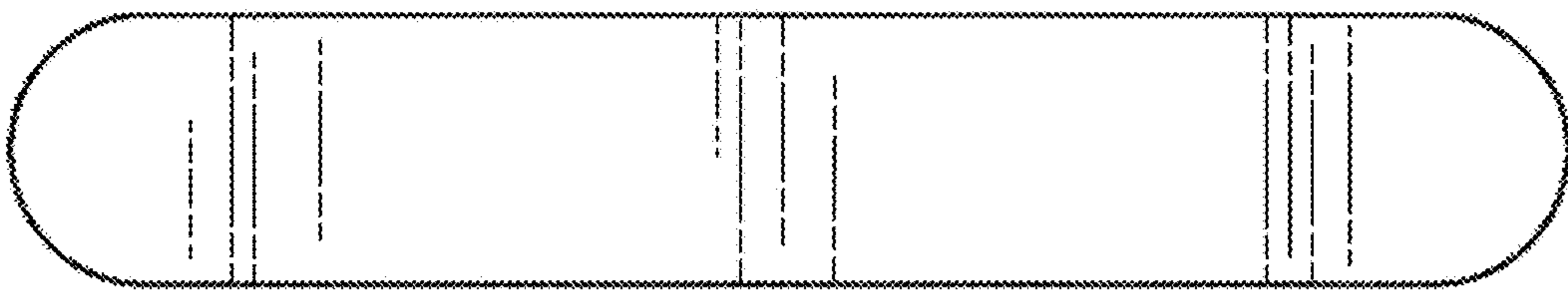


FIG. 18

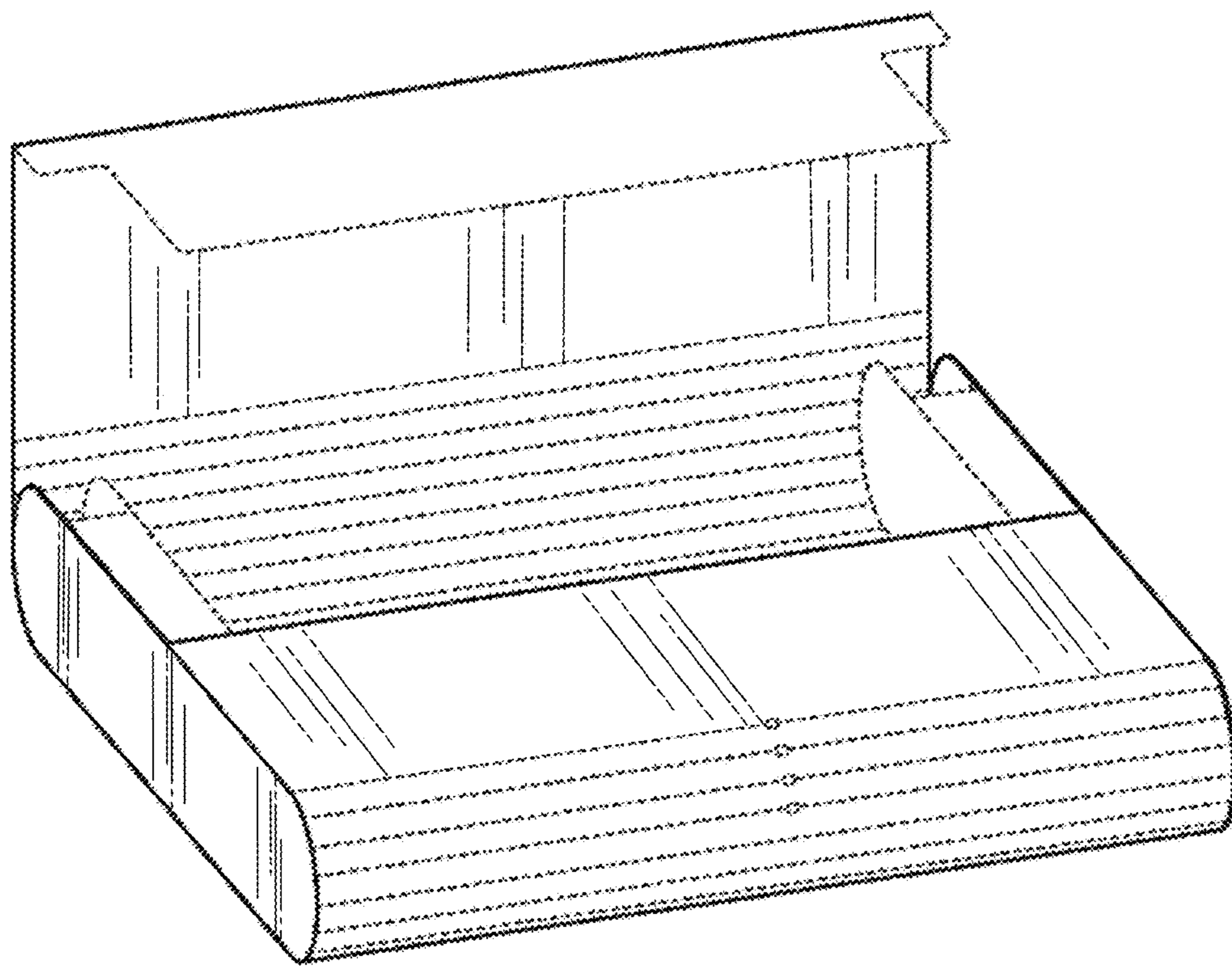


FIG. 19