



US00D814921S

(12) **United States Design Patent**
De Geyter et al.

(10) **Patent No.:** **US D814,921 S**
(45) **Date of Patent:** **** Apr. 10, 2018**

(54) **DETERGENT CONTAINER**

FOREIGN PATENT DOCUMENTS

- (71) Applicant: **The Procter & Gamble Company**, Cincinnati, OH (US)
- (72) Inventors: **Raf Gustaaf Alfons De Geyter**, Donk (BE); **Vincent Hubert Monique De Wilde**, Kessel-lo (BE); **Clara Sophie Lea Ng Pak Leung**, Ixelles (BE); **Marion Michele Marie-Pierre Dubreuil-Rambaud**, Waterloo (BE); **David Brian Dawson**, Greensboro, NC (US)
- (73) Assignee: **The Procter & Gamble Company**, Cincinnati, OH (US)

EM 000101829-0001 2/2004
EM 000101829-0002 2/2004

(Continued)

Primary Examiner — Derrick Holland

Assistant Examiner — Janice Patyk

(74) *Attorney, Agent, or Firm* — Gregory S.

Darley-Emerson; Leonard W Lewis; Steven W Miller

(**) Term: **15 Years**
(21) Appl. No.: **29/552,285**

(22) Filed: **Jan. 21, 2016**

(30) **Foreign Application Priority Data**

Jul. 21, 2015 (WO) 909140801

(51) **LOC (11) Cl.** **09-03**

(52) **U.S. Cl.**
USPC **D9/425**

(58) **Field of Classification Search**
USPC D7/396.1, 538–545, 602, 608, 629;
D9/414, 420, 424–429, 432, 761;
206/499, 508, 557; 220/23.4, 23.6, 315,
220/500, 659, 669, 674, 675, 696, 752,
220/760, 790, 793; 229/105, 117.09,
229/117.26, 189, 406, 407, 902, 905
CPC ... B65D 1/26; B65D 1/34; B65D 1/36; B65D
1/40; B65D 1/0223; B65D 25/04; B65D
43/0212; B65D 79/005; B65D 81/34;
B65D 81/3453; B65D 2543/00027; B65D
(Continued)

(56) **References Cited**

U.S. PATENT DOCUMENTS

D253,168 S * 10/1979 Nilsson D9/425
D272,971 S * 3/1984 Tallon D7/538
(Continued)

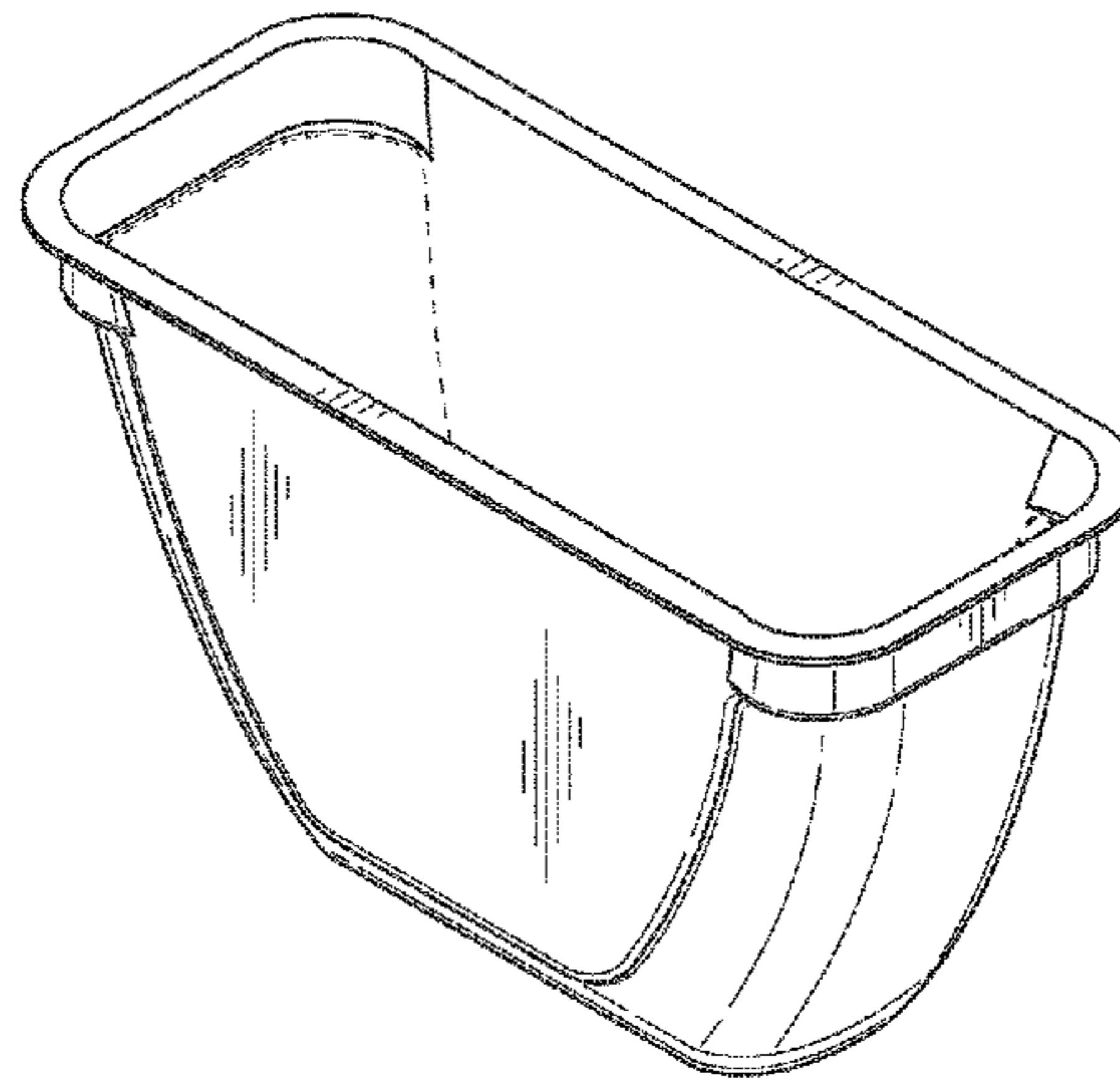
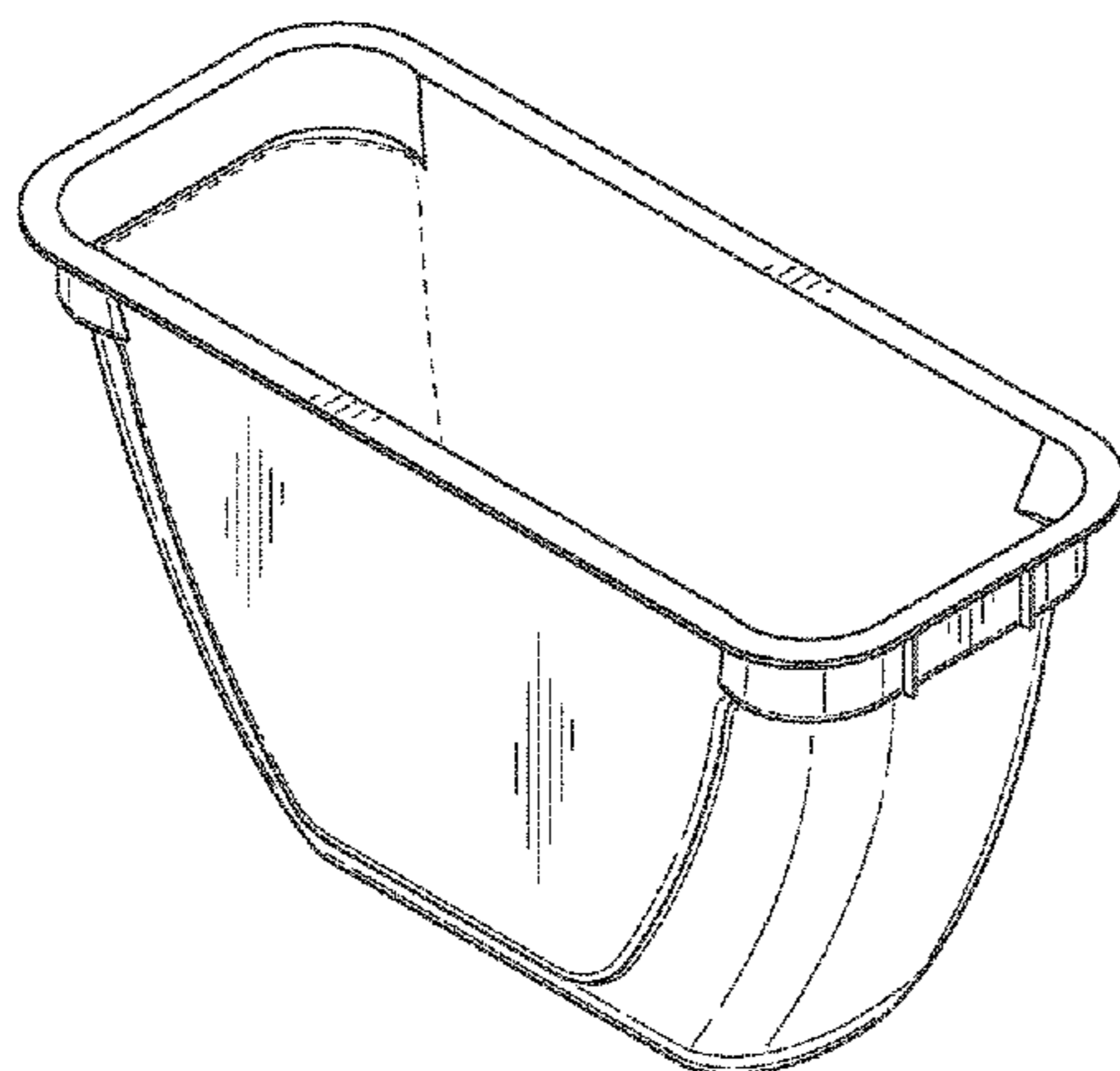
(57) **CLAIM**

The ornamental design for a detergent container, as shown and described.

DESCRIPTION

FIG. 1 is a perspective view of embodiment one, of a detergent container, showing our new design;
FIG. 2 is a front view thereof;
FIG. 3 is a rear view thereof;
FIG. 4 is a right side view thereof;
FIG. 5 is a left side view thereof;
FIG. 6 is a top plan view thereof;
FIG. 7 is a bottom plan view thereof;
FIG. 8 is a perspective view of embodiment two, of a detergent container, showing our new design;
FIG. 9 is a front view thereof;
FIG. 10 is a rear view thereof;
FIG. 11 is a right side view thereof;
FIG. 12 is a left side view thereof;
FIG. 13 is a top plan view thereof; and,
FIG. 14 is a bottom plan view thereof.

(Continued)



The broken line portions show unclaimed subject matter only and form no part of the claimed design.

1 Claim, 8 Drawing Sheets

(58) Field of Classification Search

CPC 2543/00648; B65D 2581/34; B65D
2581/3404; B65D 2581/3456

See application file for complete search history.

(56)

References Cited

U.S. PATENT DOCUMENTS

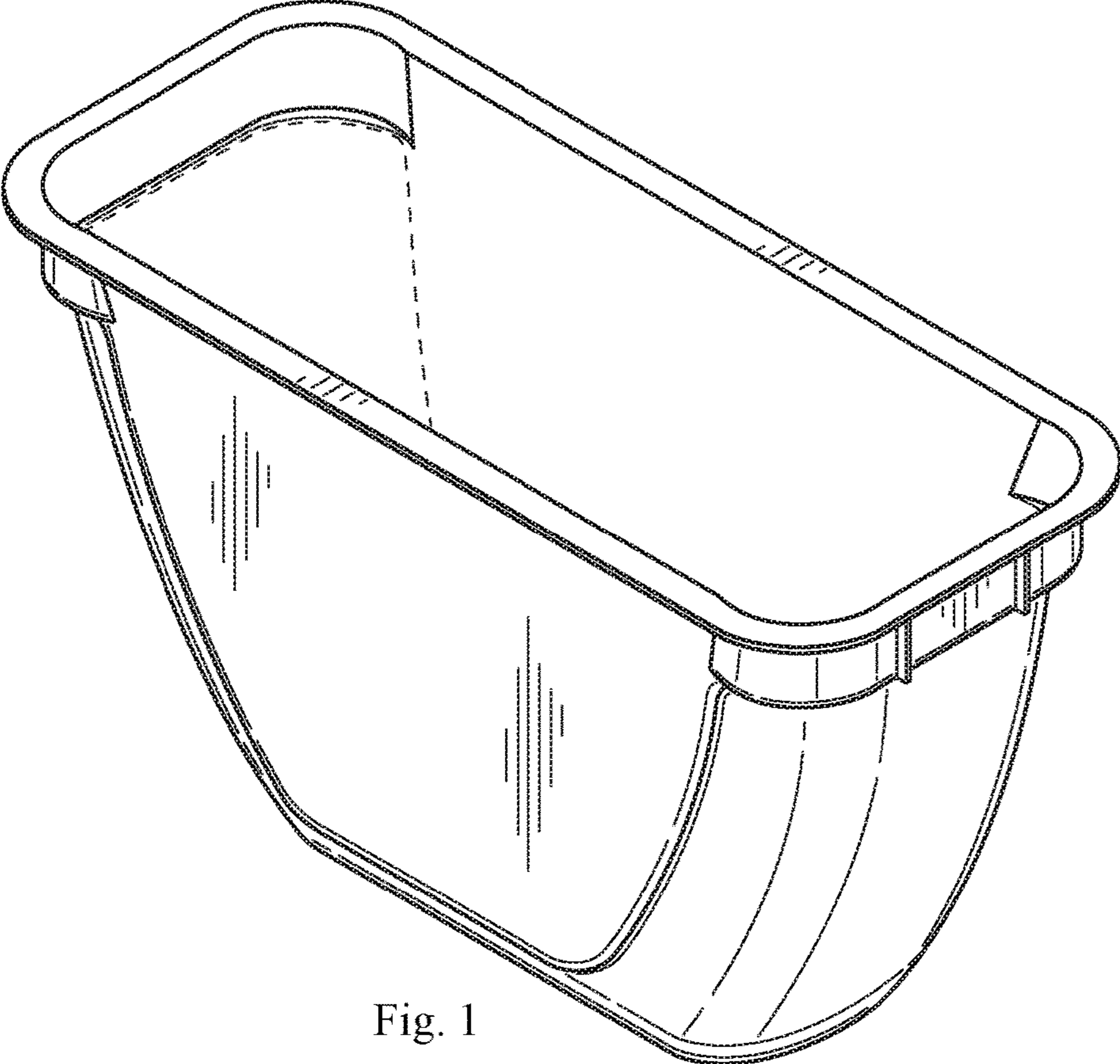
D286,844 S	*	11/1986	Daenen	D7/586
D312,968 S	*	12/1990	Wolff	D7/602
D330,311 S	*	10/1992	Narsutis	D7/629
D469,320 S	*	1/2003	Pettaweebuncha	D7/629
D551,516 S	*	9/2007	Kortleven	D7/629
D568,688 S	*	5/2008	Wasserman	D7/586
D630,251 S	*	1/2011	Cohen	D19/69
D653,105 S		1/2012	Degeyter et al.	

D682,676 S	*	5/2013	Wintmolders	D9/431
D694,062 S		11/2013	Andres et al.	
D694,063 S		11/2013	Andres et al.	
D700,481 S	*	3/2014	Yessin	D7/602
D706,131 S	*	6/2014	Brooks	D9/428
D706,621 S	*	6/2014	Tuchrelo	D9/425
D781,109 S	*	3/2017	Rubino	D7/587
2014/0151388 A1		6/2014	Culeron et al.	

FOREIGN PATENT DOCUMENTS

EM	000101829-0005	2/2004
EM	000101829-0007	2/2004
EM	000101829-0008	2/2004
EM	000091103-0001	2/2006
EM	000091103-0002	2/2006
EM	000799788-0001	10/2007
EM	000799788-0002	10/2007
EM	000810841-0003	11/2007
EM	002289256-0001	8/2013
EM	002693002-0002	5/2015
EM	002693002-0003	5/2015
EM	002693002-0004	5/2015

* cited by examiner



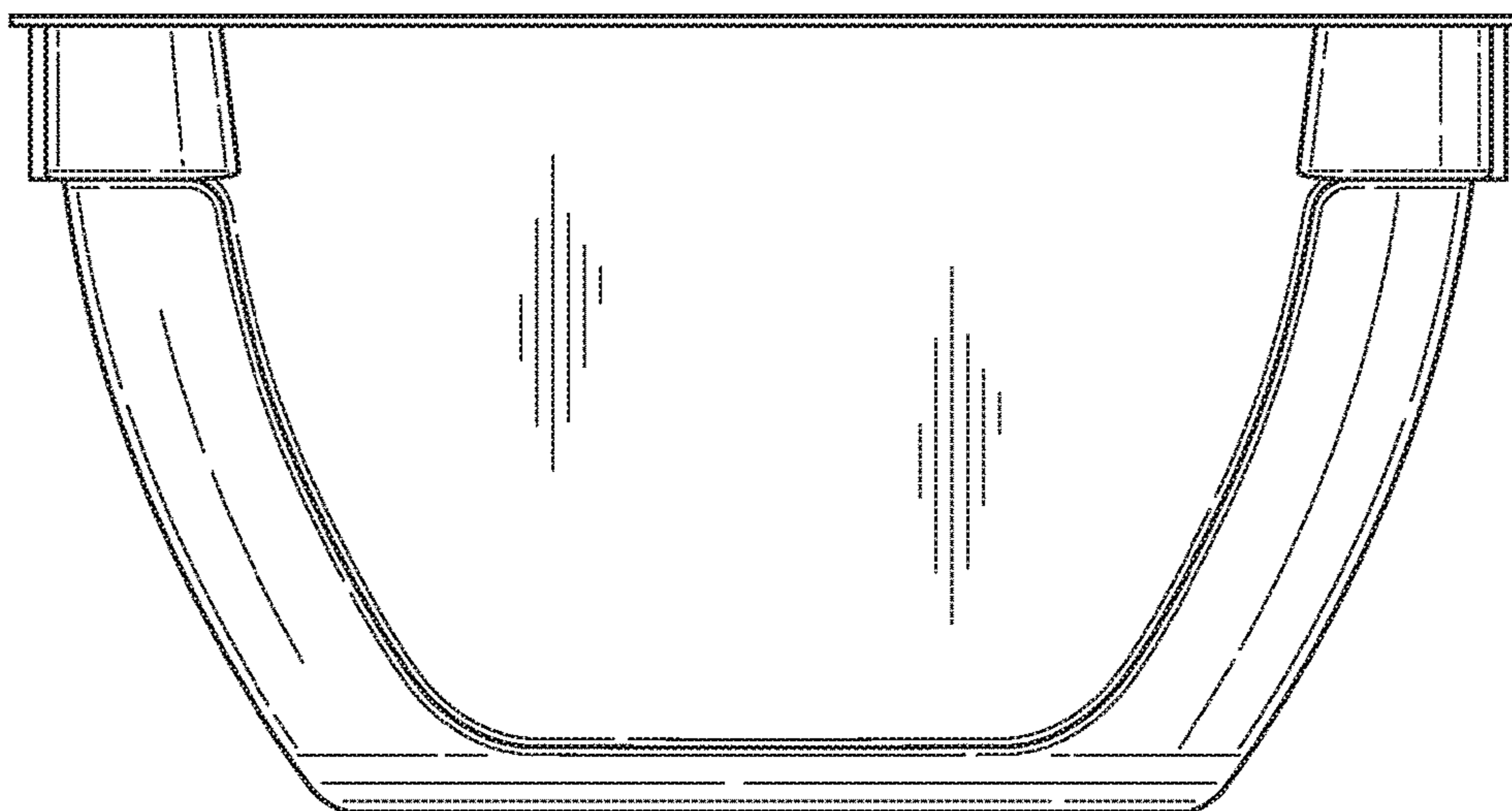


Fig. 2

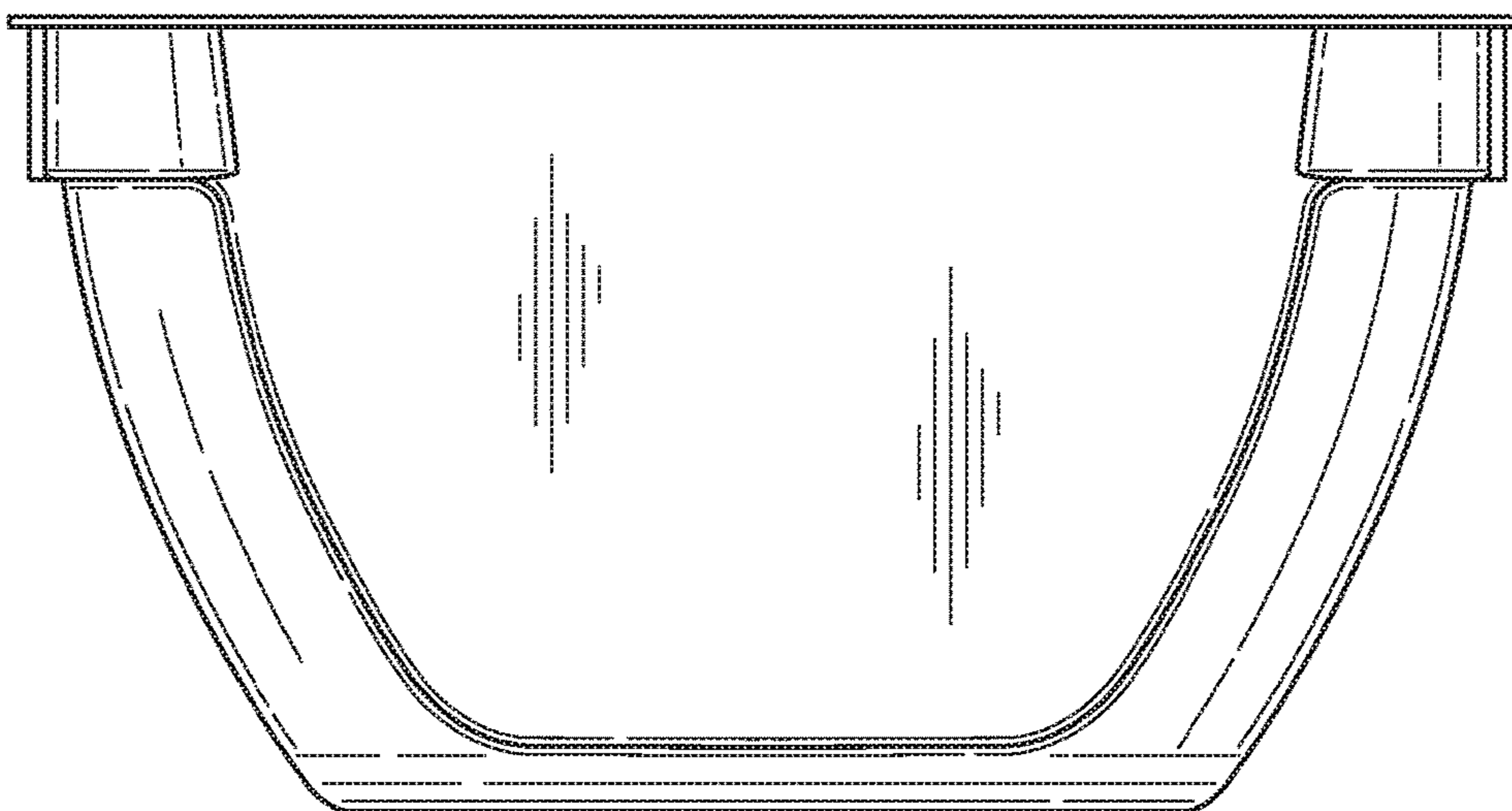


Fig. 3

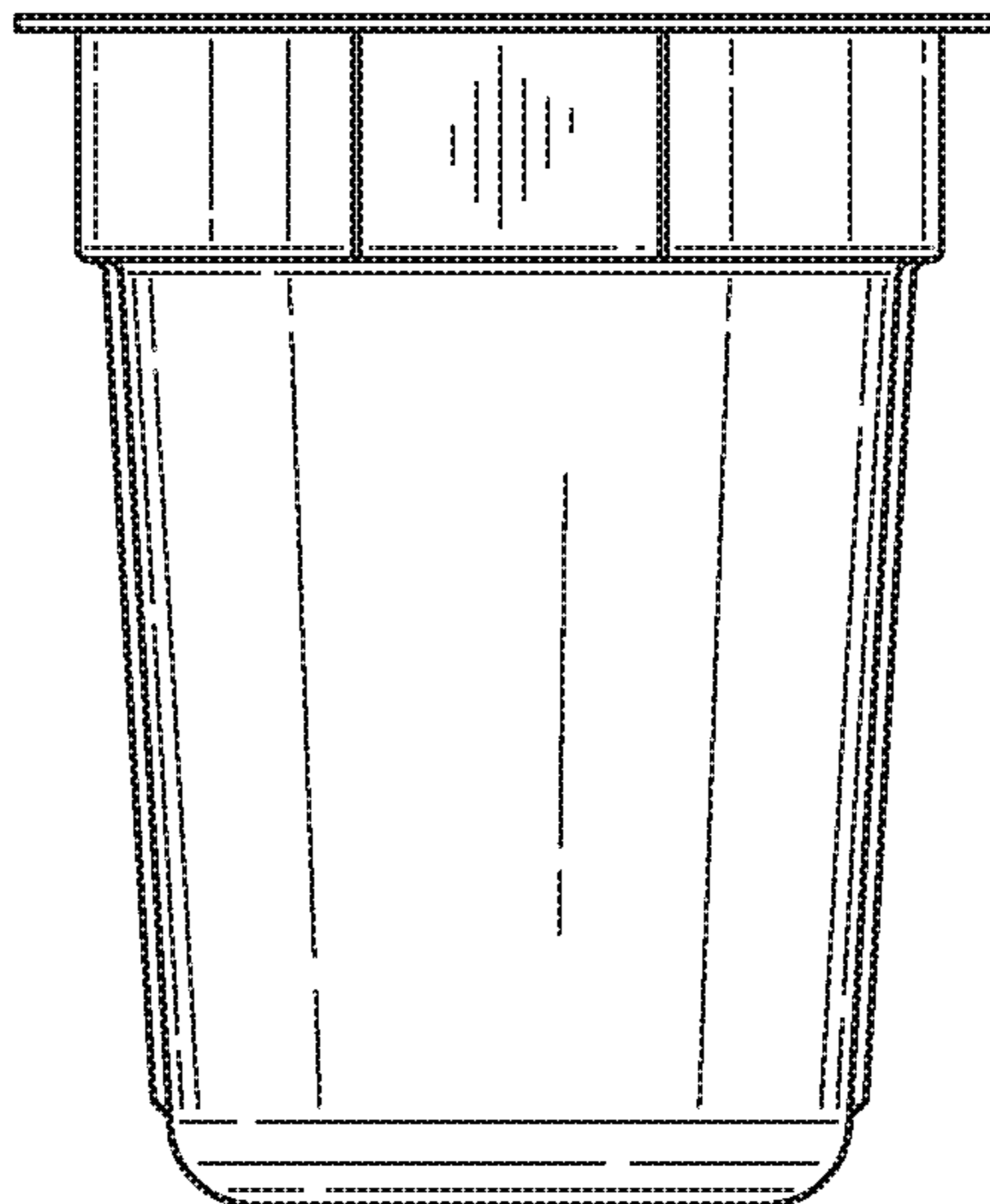


Fig. 4

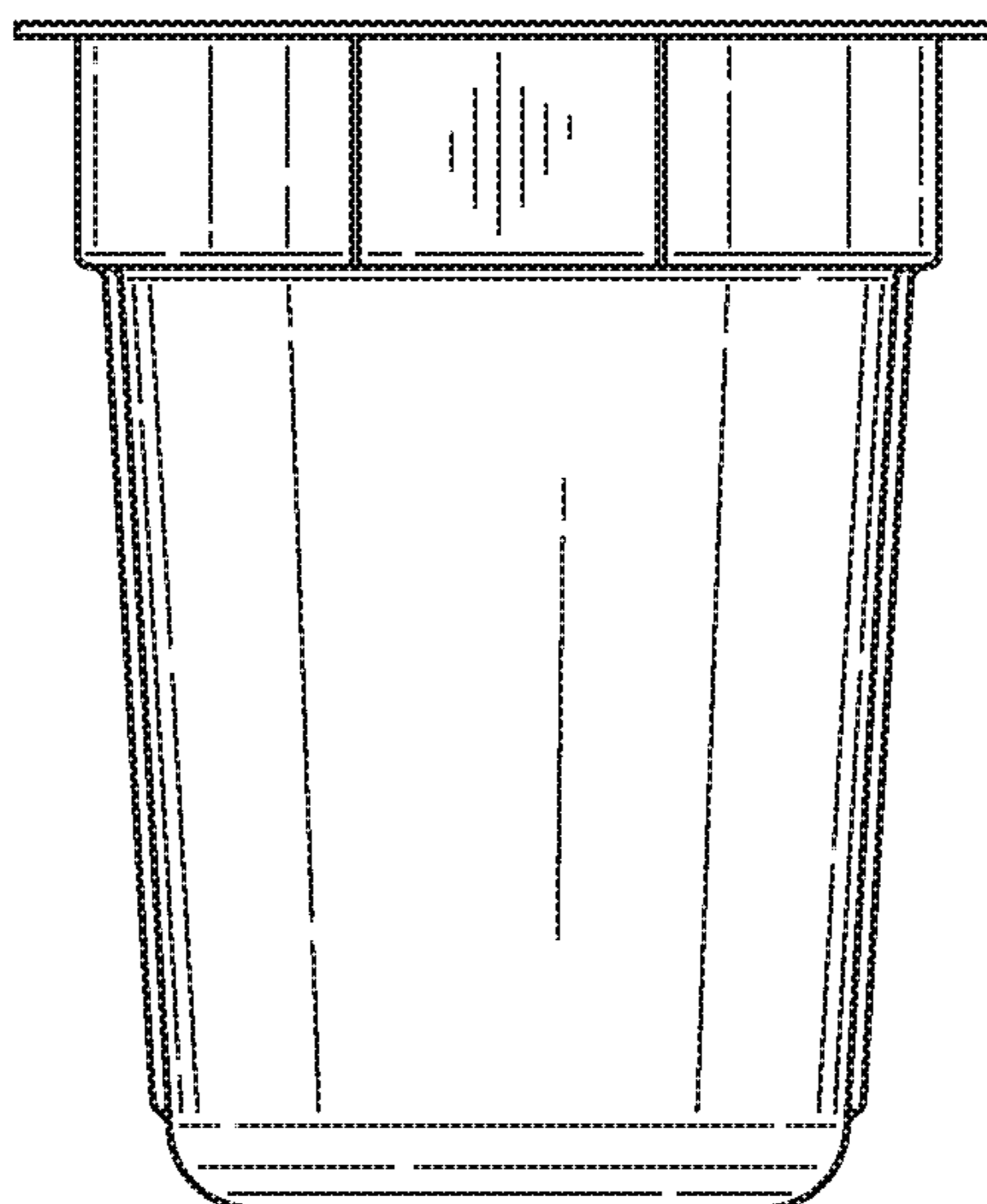


Fig. 5

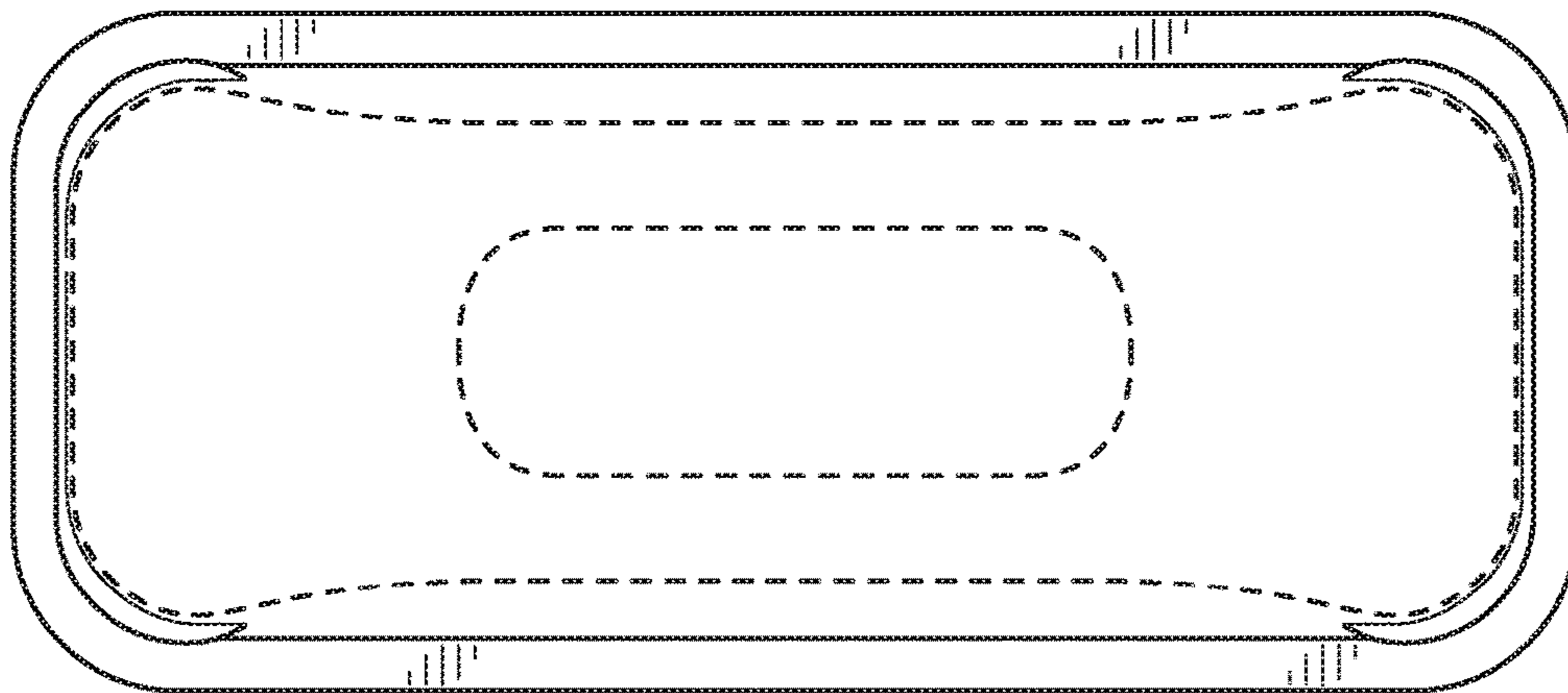


Fig. 6

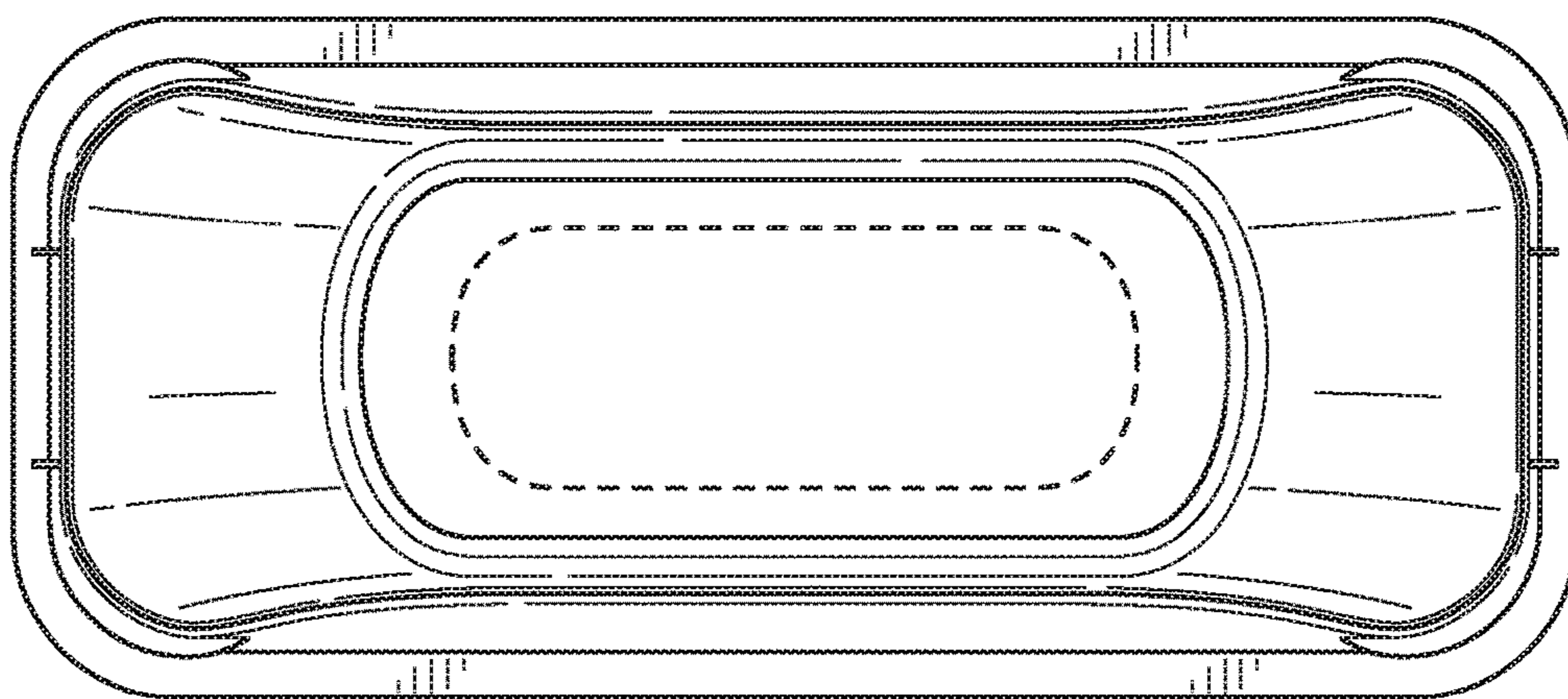


Fig. 7

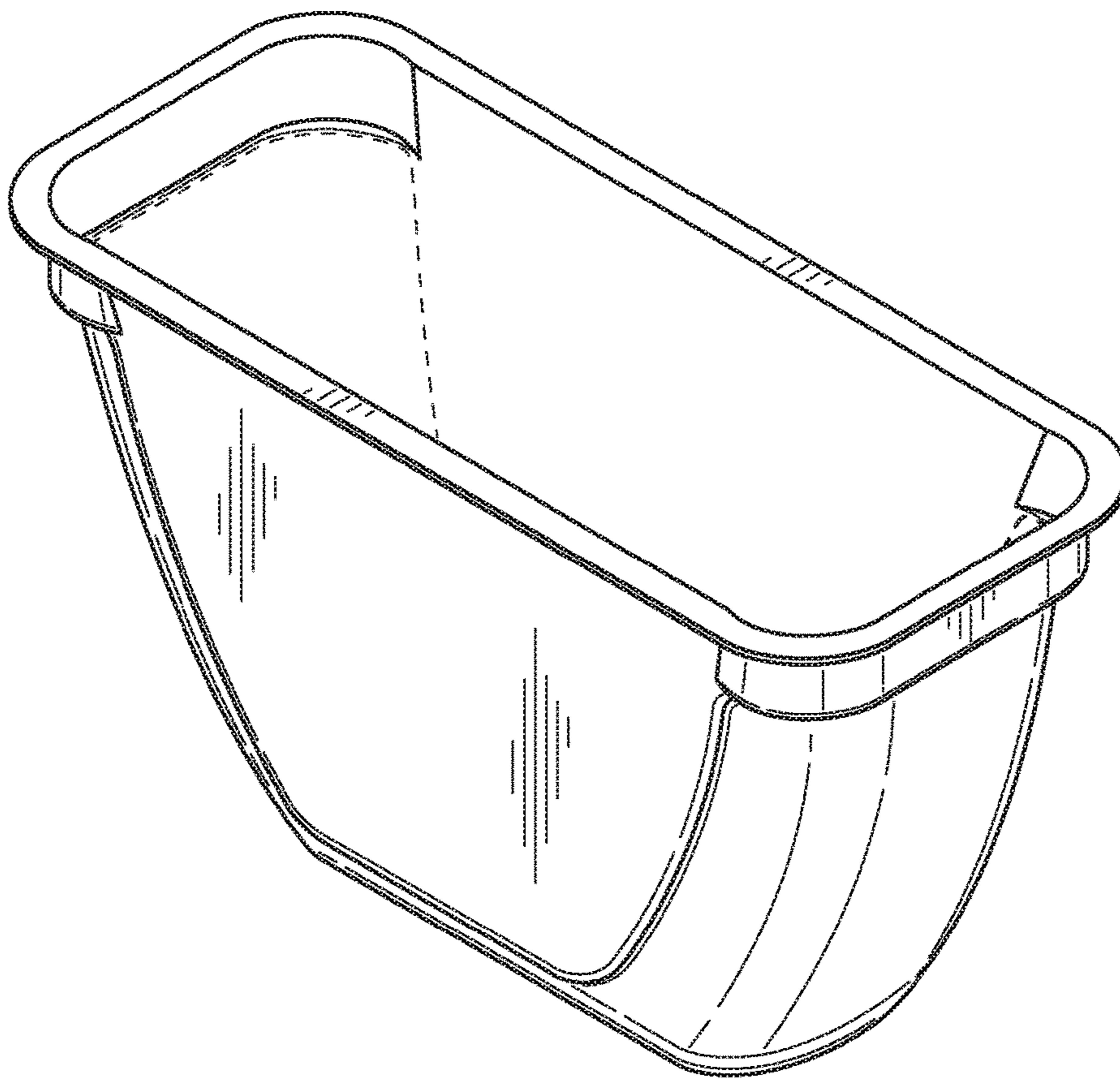


Fig. 8

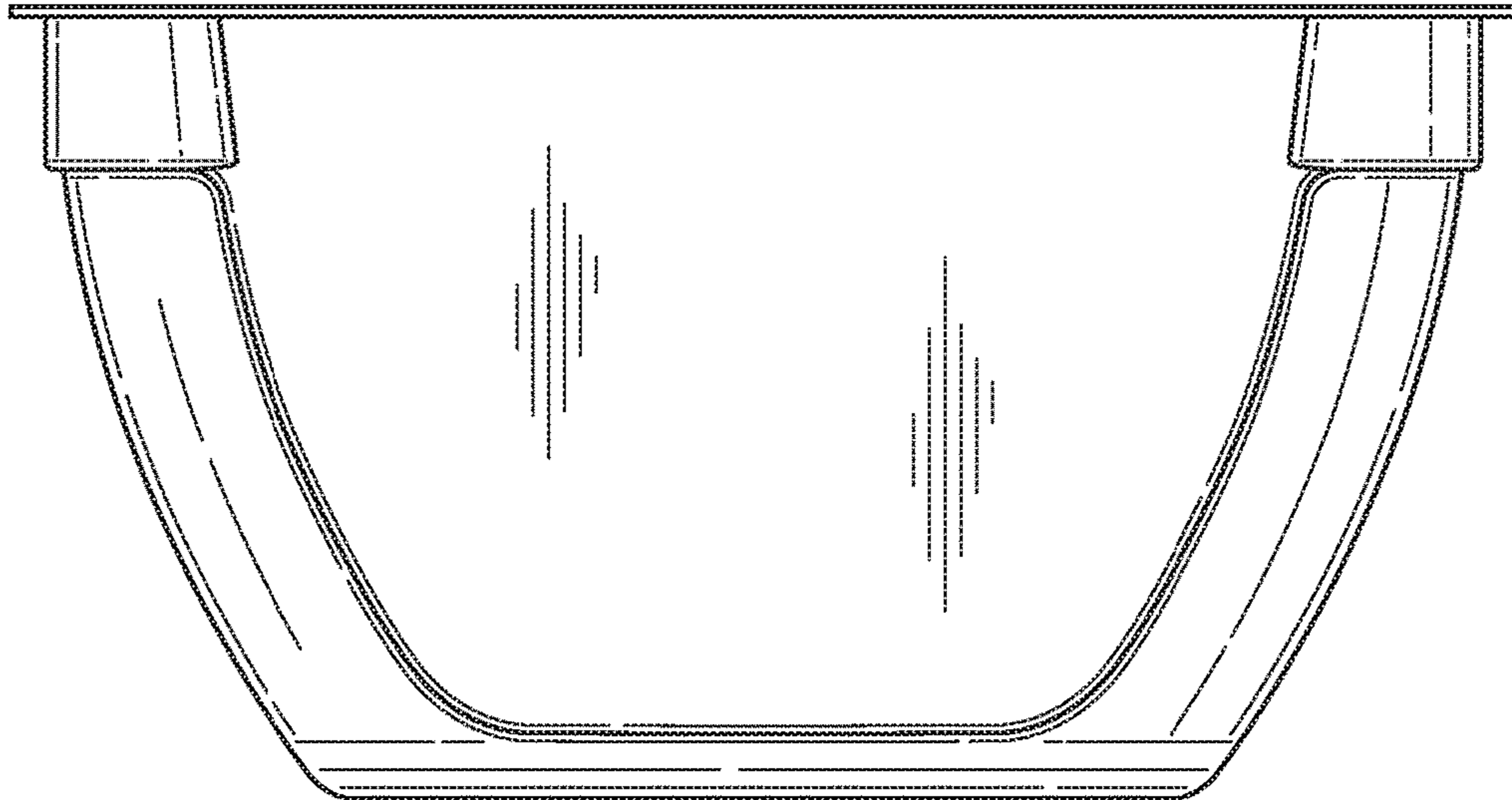


Fig. 9

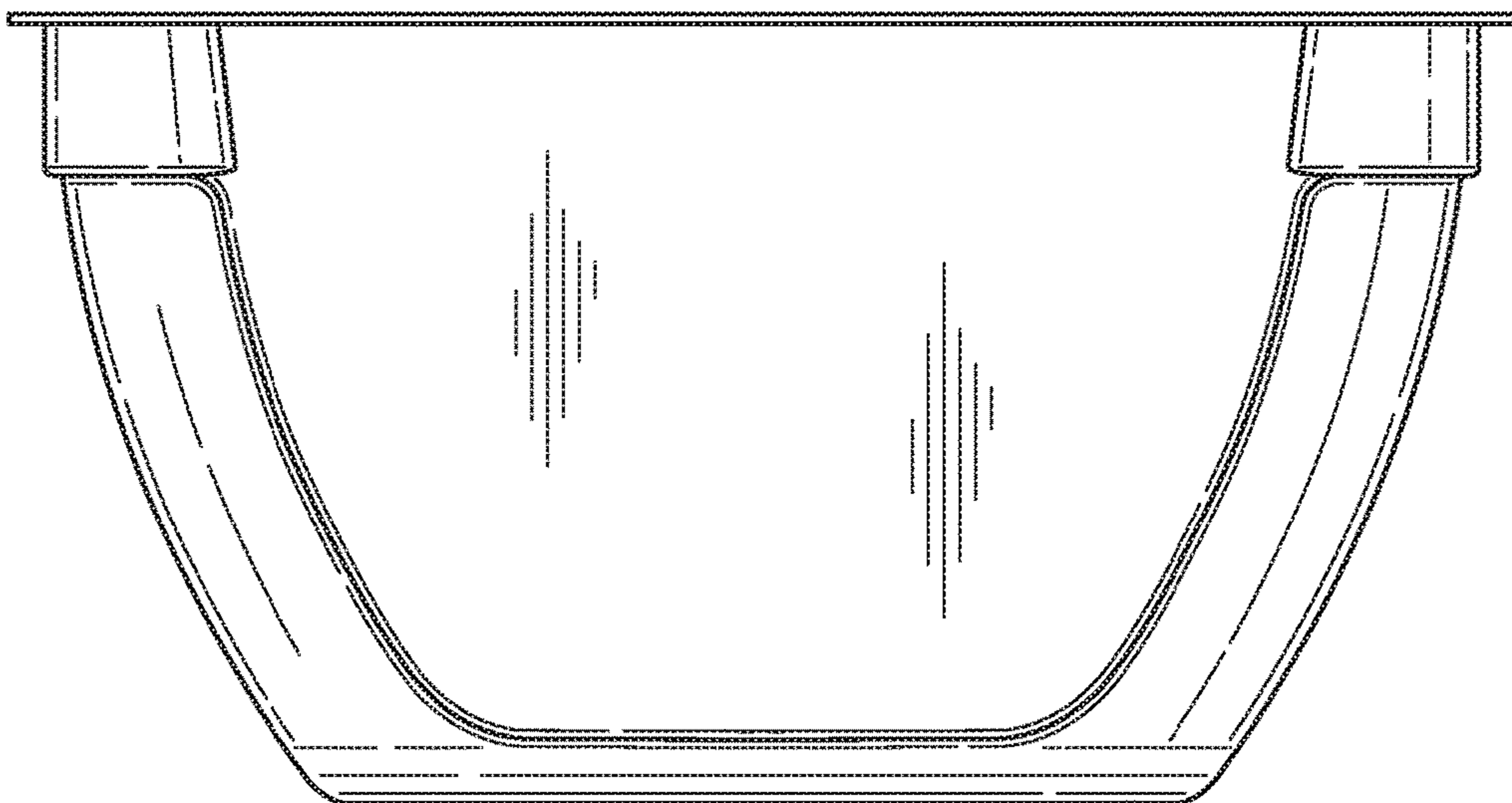


Fig. 10

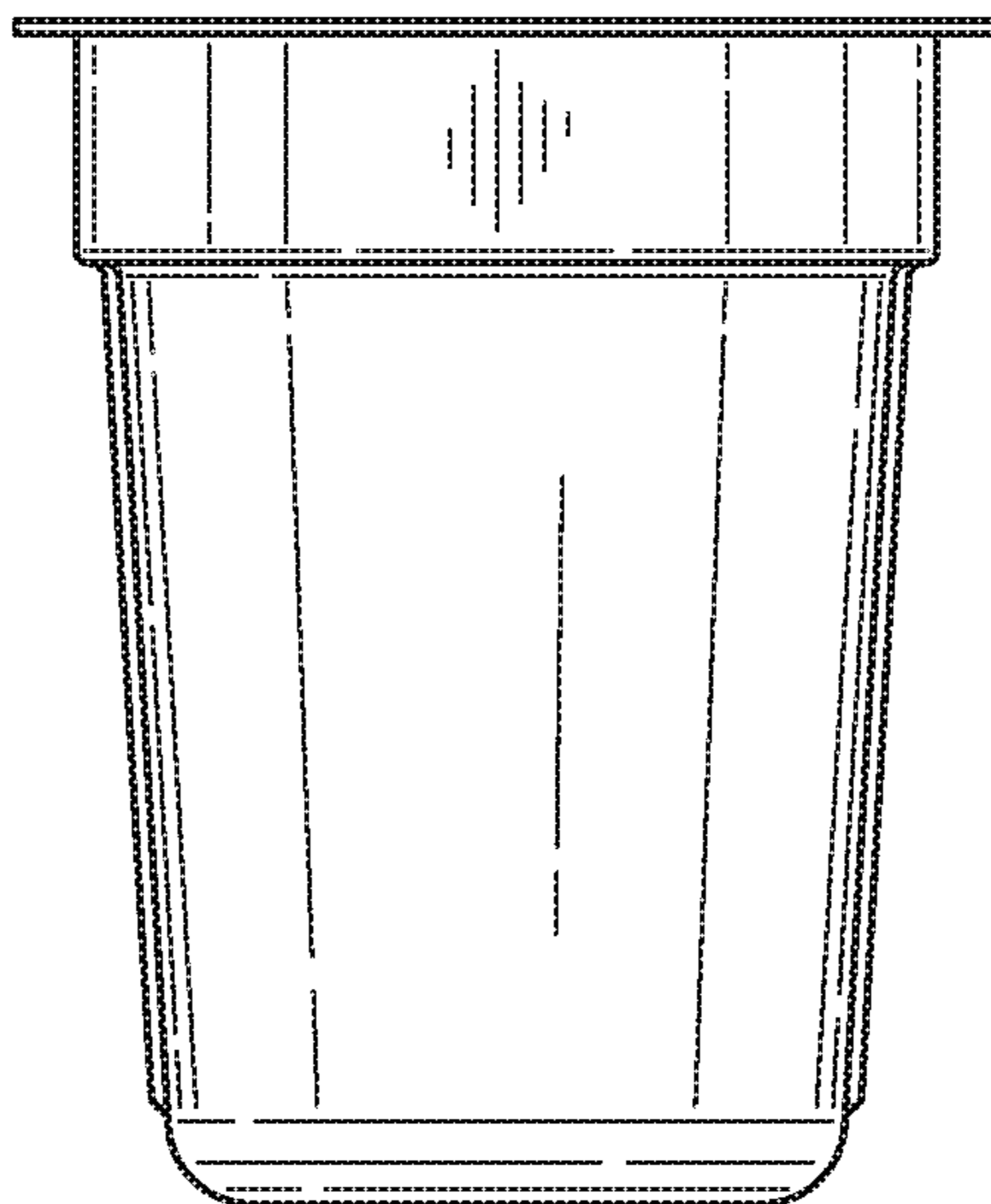


Fig. 11

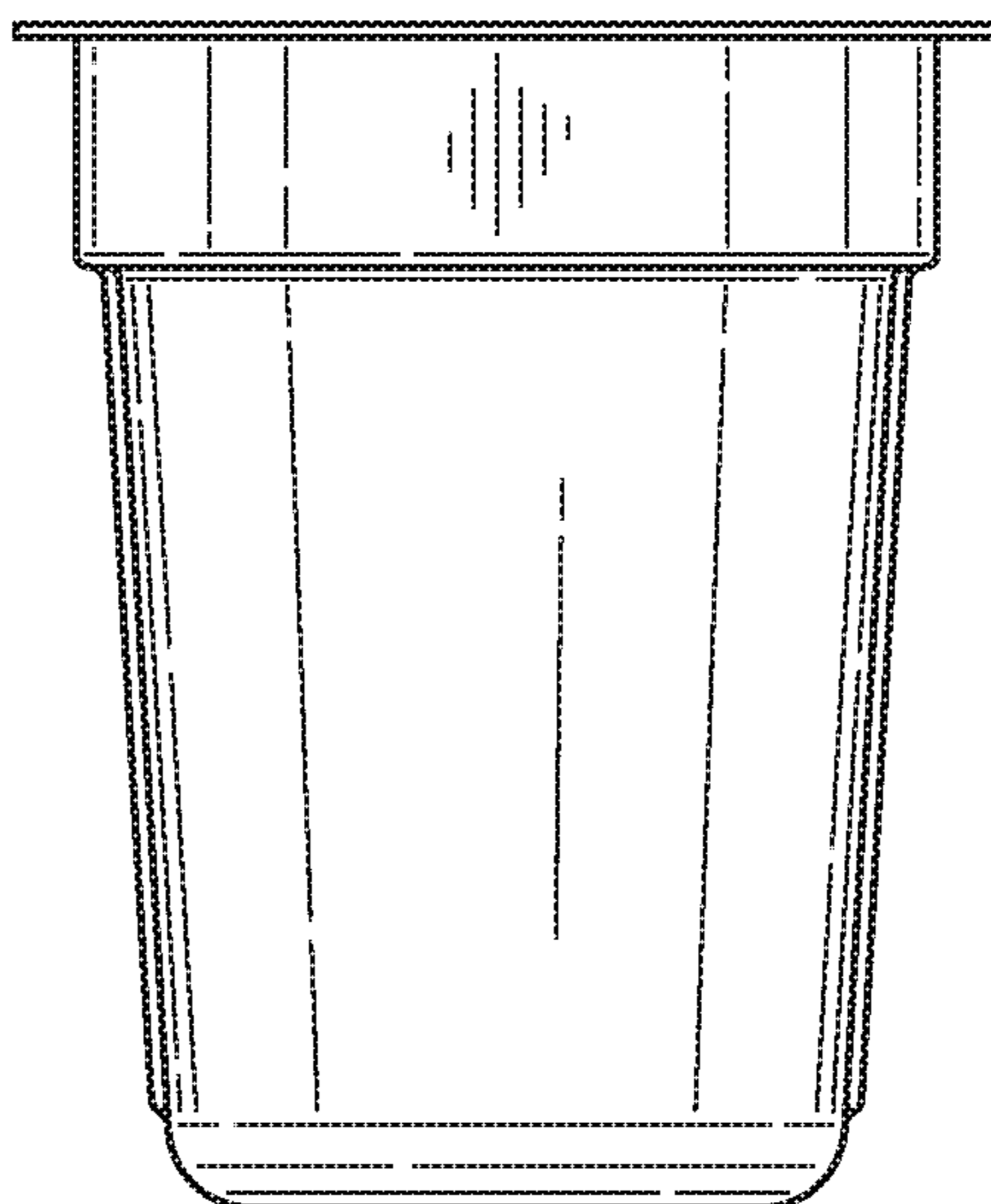


Fig. 12

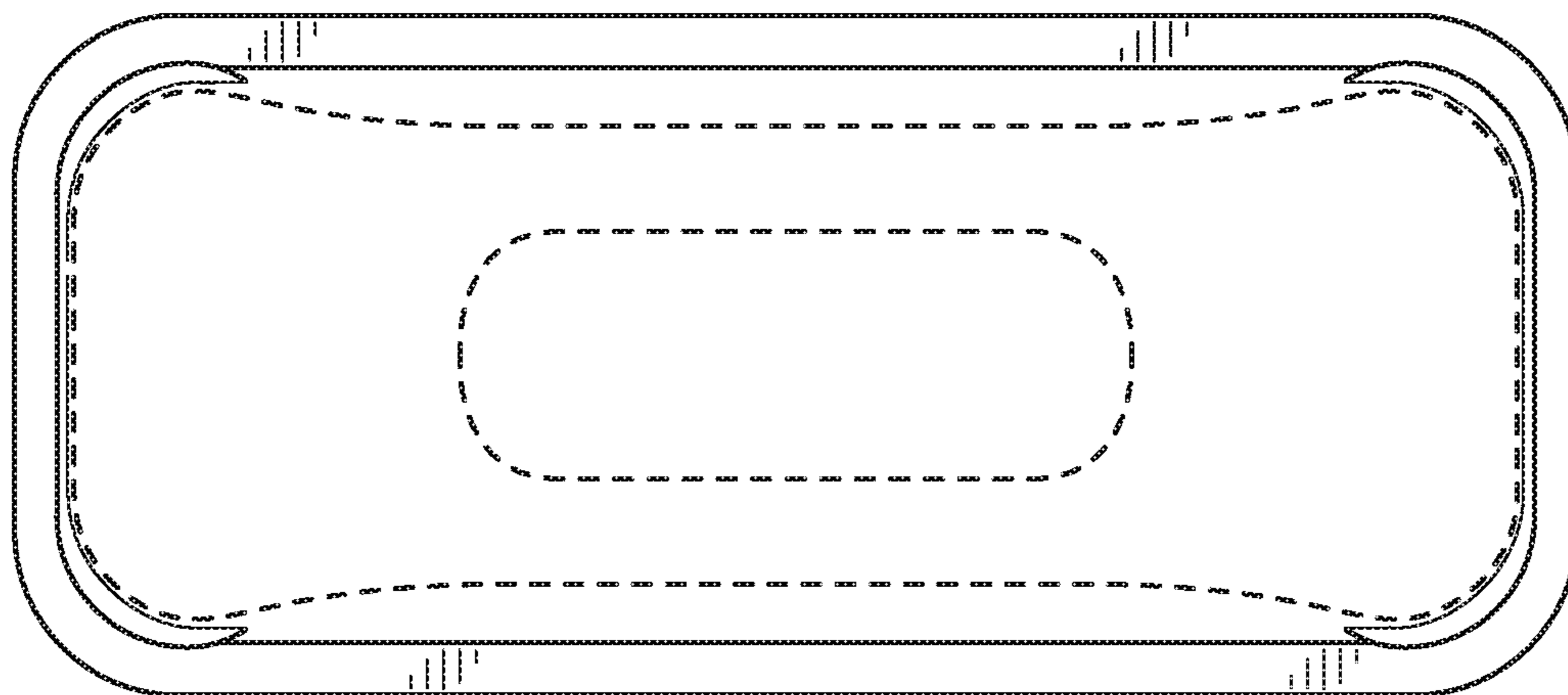


Fig. 13

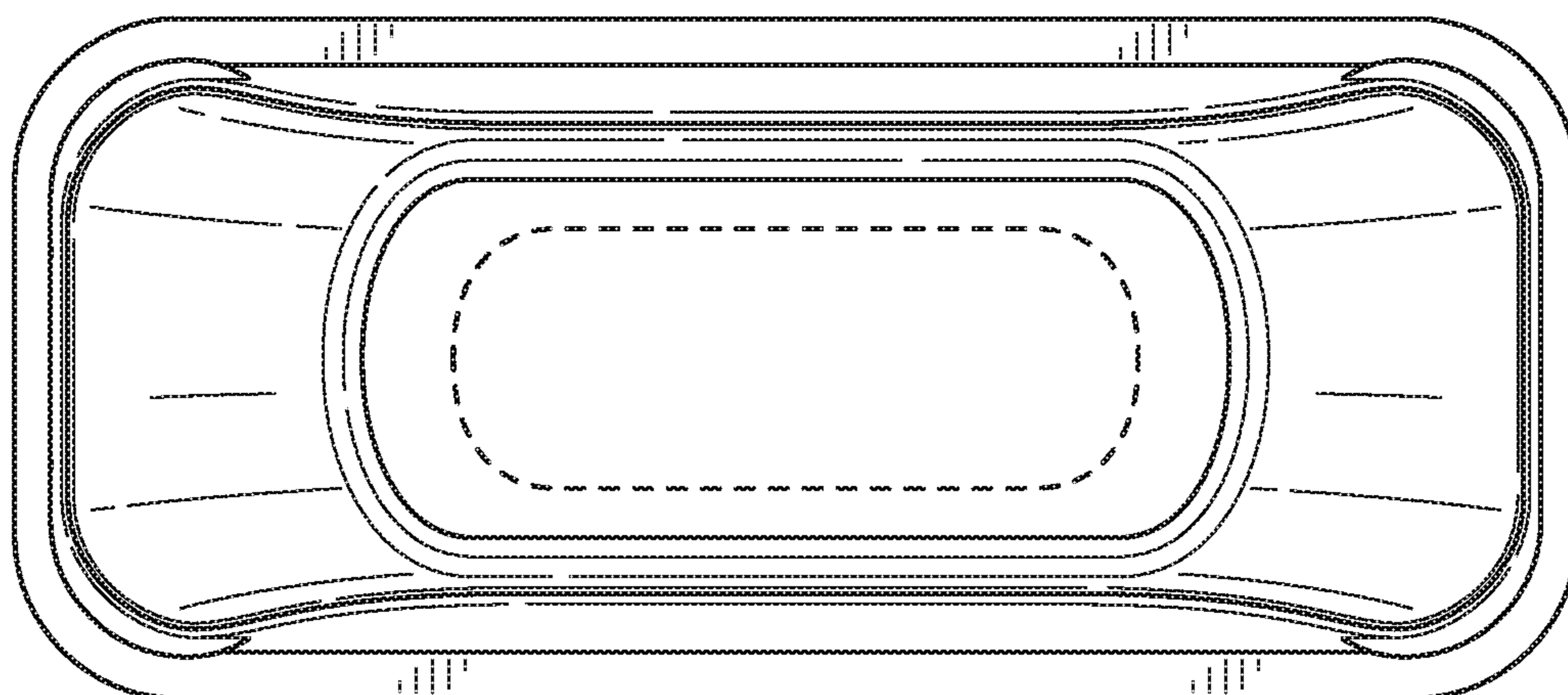


Fig. 14