



US00D814918S

(12) **United States Design Patent** (10) **Patent No.:** **US D814,918 S**  
**Bos** (45) **Date of Patent:** **\*\* Apr. 10, 2018**

(54) **BLISTER PACKAGE**

(71) Applicant: **Reckitt Benckiser LLC**, Parsippany, NJ (US)

(72) Inventor: **Randy Bos**, Eindhoven (NL)

(73) Assignee: **Reckitt Benckiser LLC**, Parsippany, NJ (US)

(\*\*) Term: **15 Years**

(21) Appl. No.: **29/581,944**

(22) Filed: **Oct. 24, 2016**

(30) **Foreign Application Priority Data**

May 4, 2016 (EP) ..... 003109750-0001  
May 4, 2016 (EP) ..... 003109750-0002

(51) **LOC (11) Cl.** ..... **09-03**

(52) **U.S. Cl.**  
USPC ..... **D9/415**

(58) **Field of Classification Search**  
USPC ..... D9/415, 418, 424, 732  
CPC .... B65D 75/327; B65D 75/36; B65D 75/366;  
B65D 75/367; B65D 75/32; B65D  
2575/3245; B65D 75/326; B65D  
2575/366; B65D 2585/88; B65D 75/322;  
B65D 77/2032; B65D 5/4204; B65D  
75/22; B65D 77/0413; B65D 5/4208;  
B65D 77/02; B65D 25/22; B65D  
75/5833; B65D 85/00; B65D 2543/00194;  
B65D 2301/20; B65D 2575/3218; B65D  
73/0007; B65D 73/0042

See application file for complete search history.

(56) **References Cited**

**U.S. PATENT DOCUMENTS**

D238,480 S \* 1/1976 Hjelmquist ..... D9/425  
D351,556 S \* 10/1994 Reil ..... D9/415

D592,947 S \* 5/2009 Neves ..... D9/415  
D594,348 S \* 6/2009 Sorrentino ..... D9/418  
D595,126 S \* 6/2009 Marcinkowski ..... D9/418  
D632,168 S \* 2/2011 Zealer ..... D9/415  
D713,717 S \* 9/2014 Liu ..... D9/424  
D714,135 S \* 9/2014 Chang ..... D9/415  
D767,985 S \* 10/2016 Schouten ..... D9/414  
2001/0001674 A1\* 5/2001 Simpson ..... B65D 1/34  
426/107  
2004/0079668 A1\* 4/2004 Lee ..... B65D 75/32  
206/471  
2005/0092644 A1\* 5/2005 Cafferata ..... A47F 1/126  
206/471  
2012/0111858 A1\* 5/2012 Lewis ..... B65D 77/26  
220/4.23

\* cited by examiner

*Primary Examiner* — Lauren R Calve

(74) *Attorney, Agent, or Firm* — Norris McLaughlin & Marcus PA

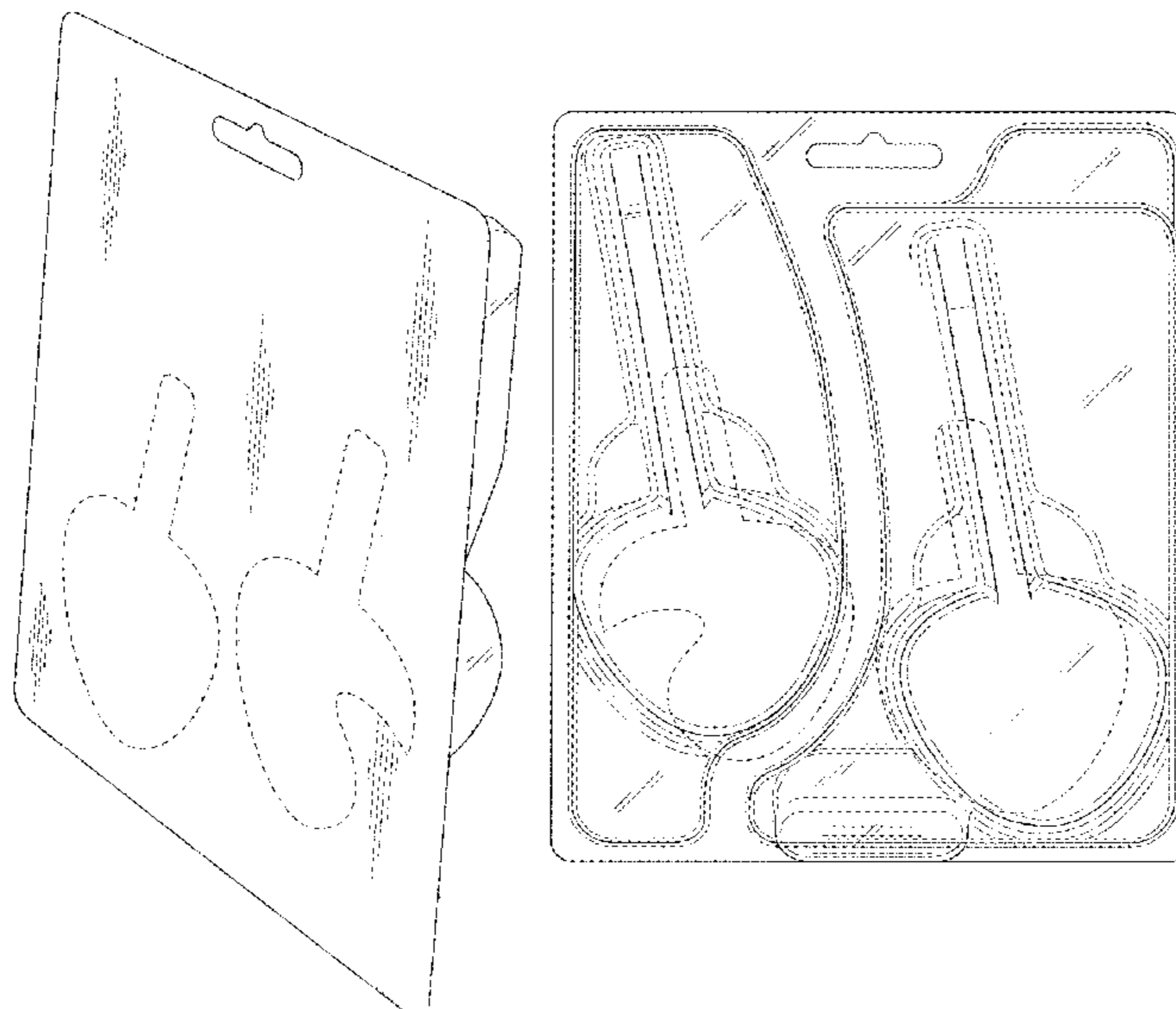
(57) **CLAIM**

The ornamental design for a blister package, as shown and described.

**DESCRIPTION**

FIG. 1 is a front perspective view of a blister package; FIG. 2 is a front elevational view thereof; FIG. 3 is a rear elevational view thereof; FIG. 4 is a first side elevational view thereof; FIG. 5 is a second side elevational view thereof; FIG. 6 is a top plan view thereof; and, FIG. 7 is a bottom plan view thereof. The broken lines shown represent unclaimed subject matter and form no part of the claimed design.

**1 Claim, 5 Drawing Sheets**



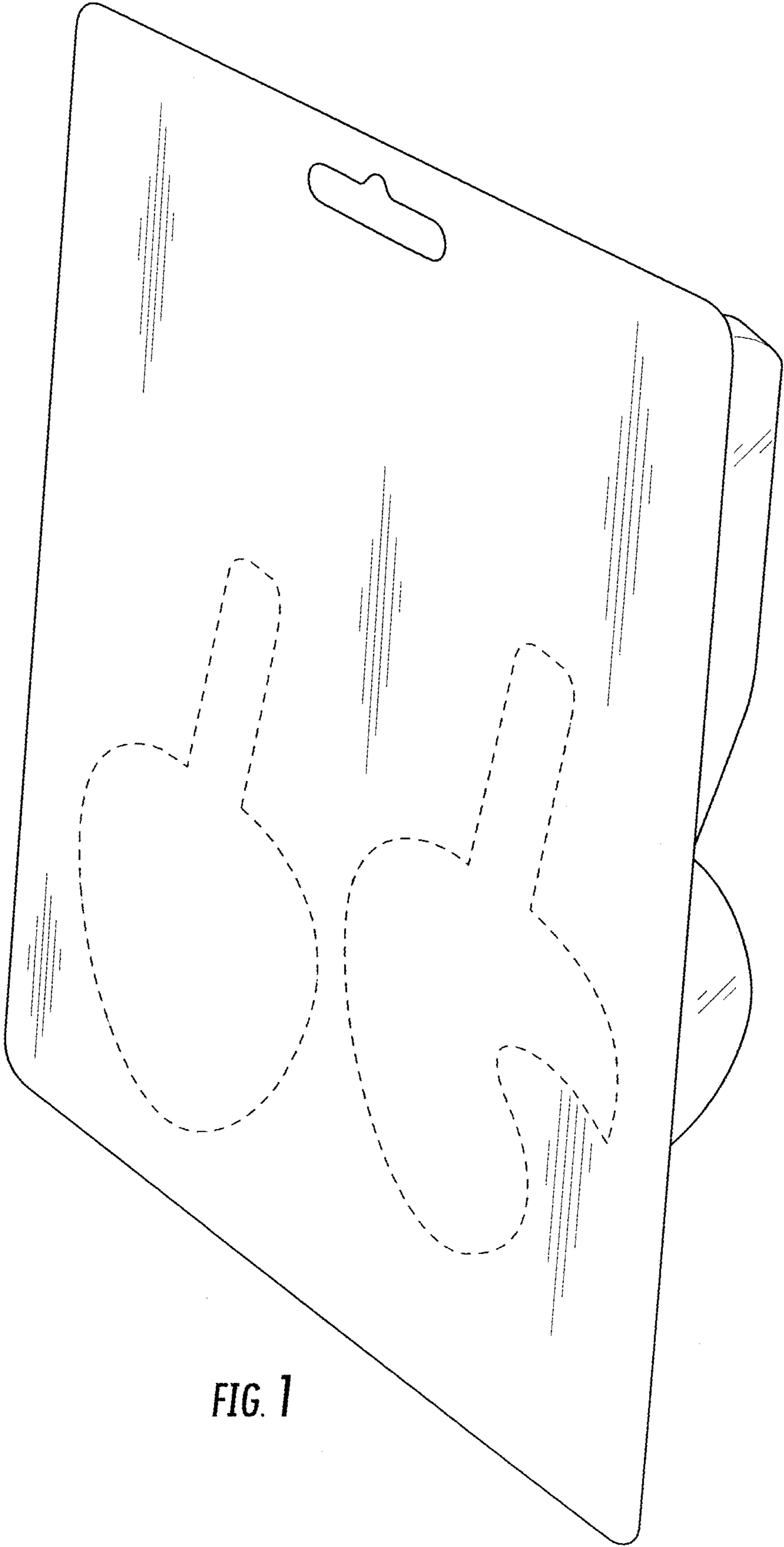


FIG. 1

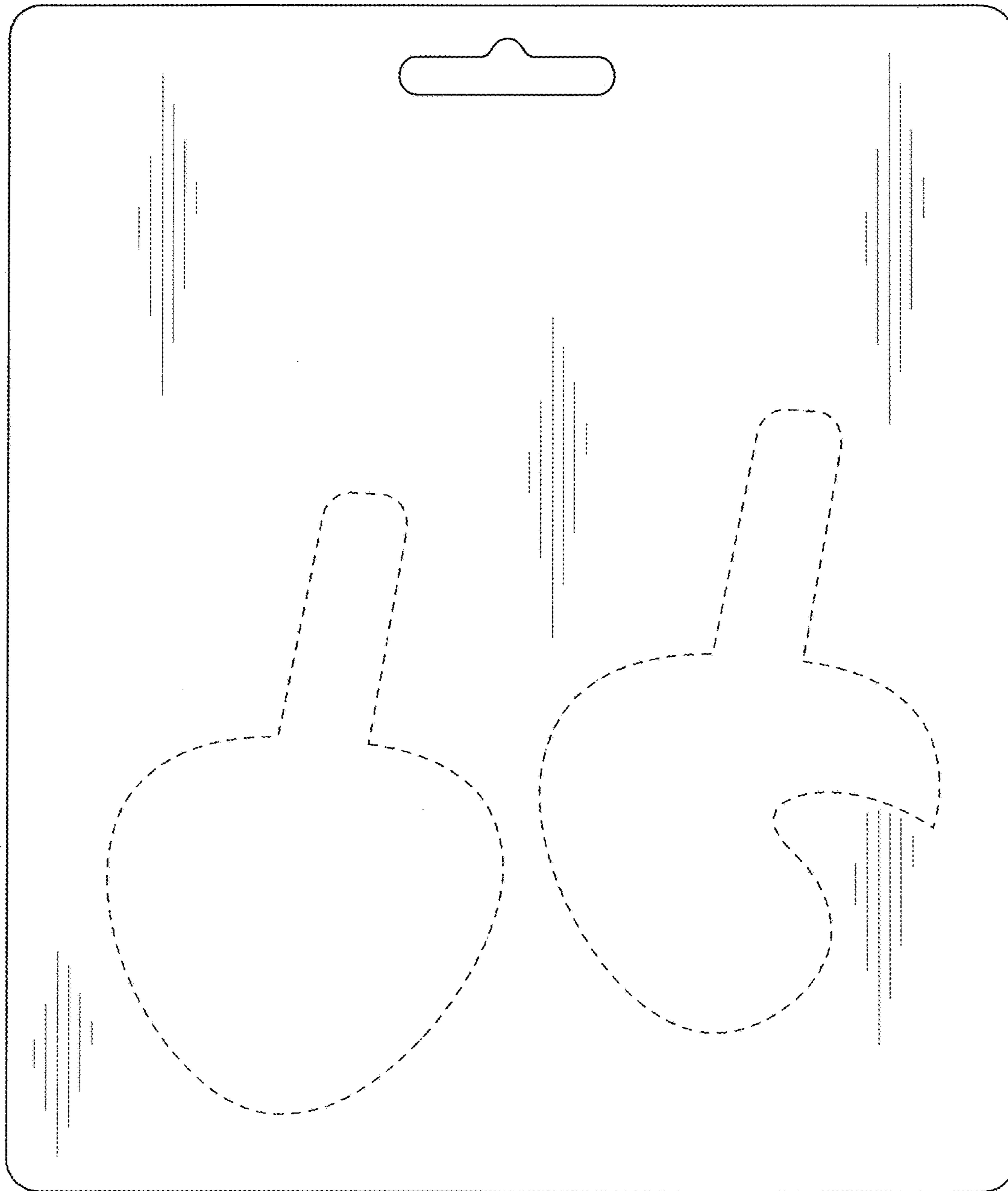


FIG. 2

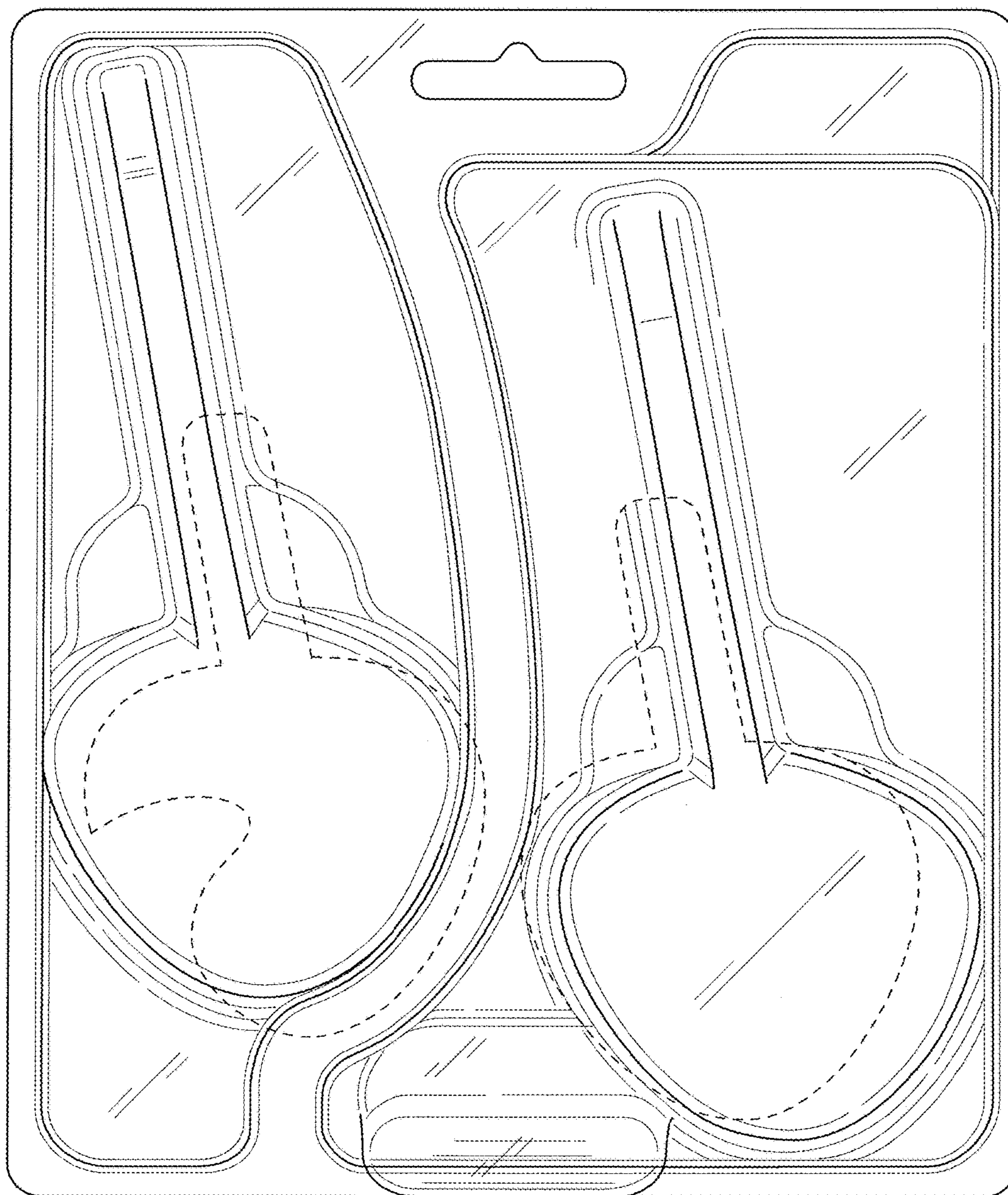


FIG. 3

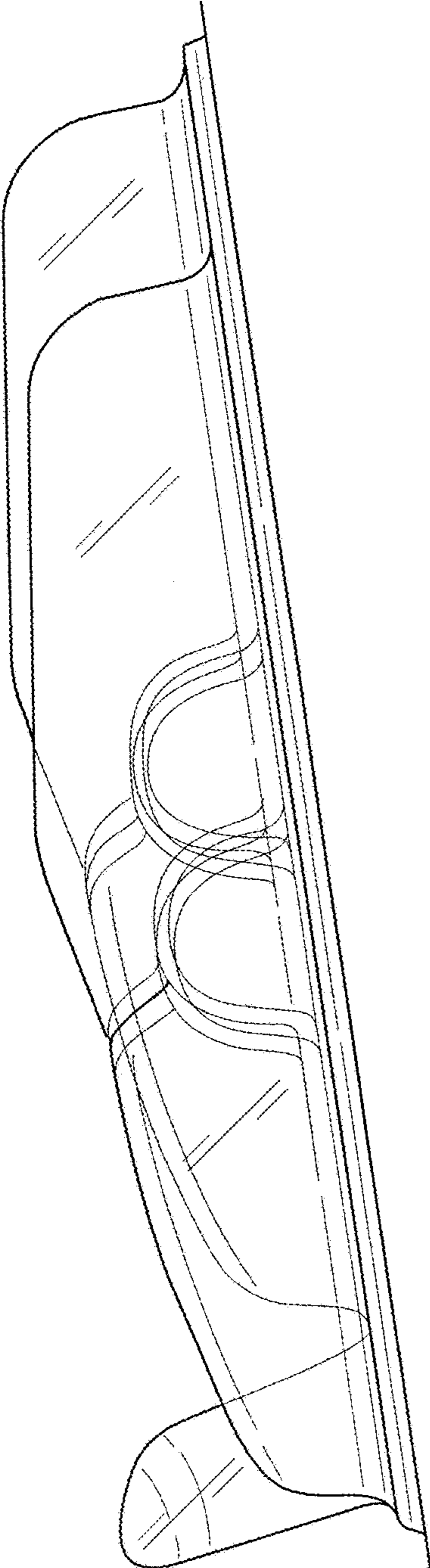


FIG. 4

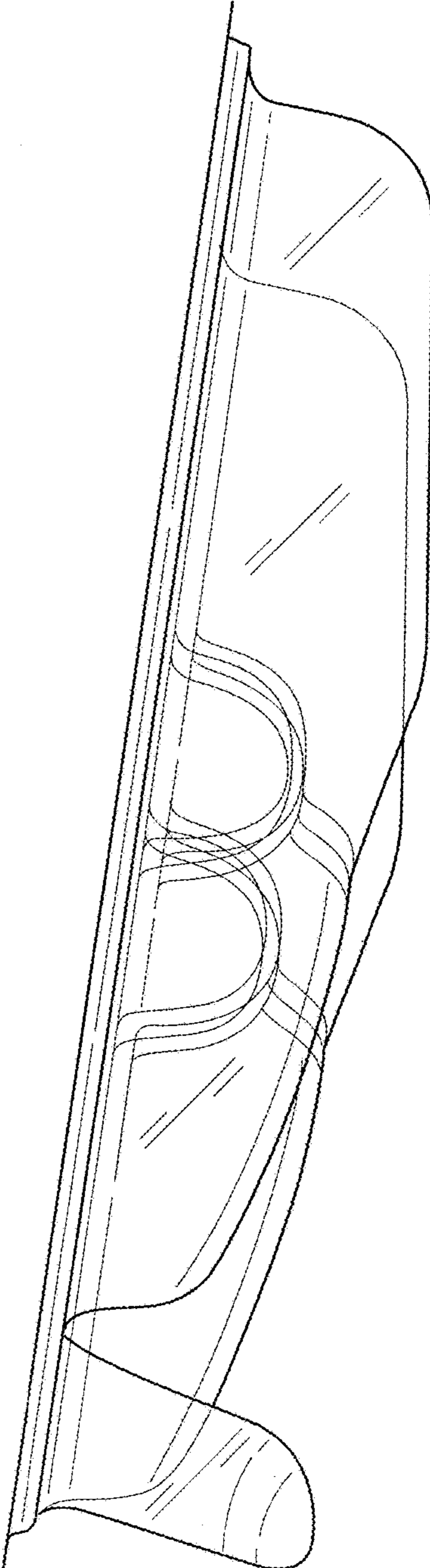


FIG. 5

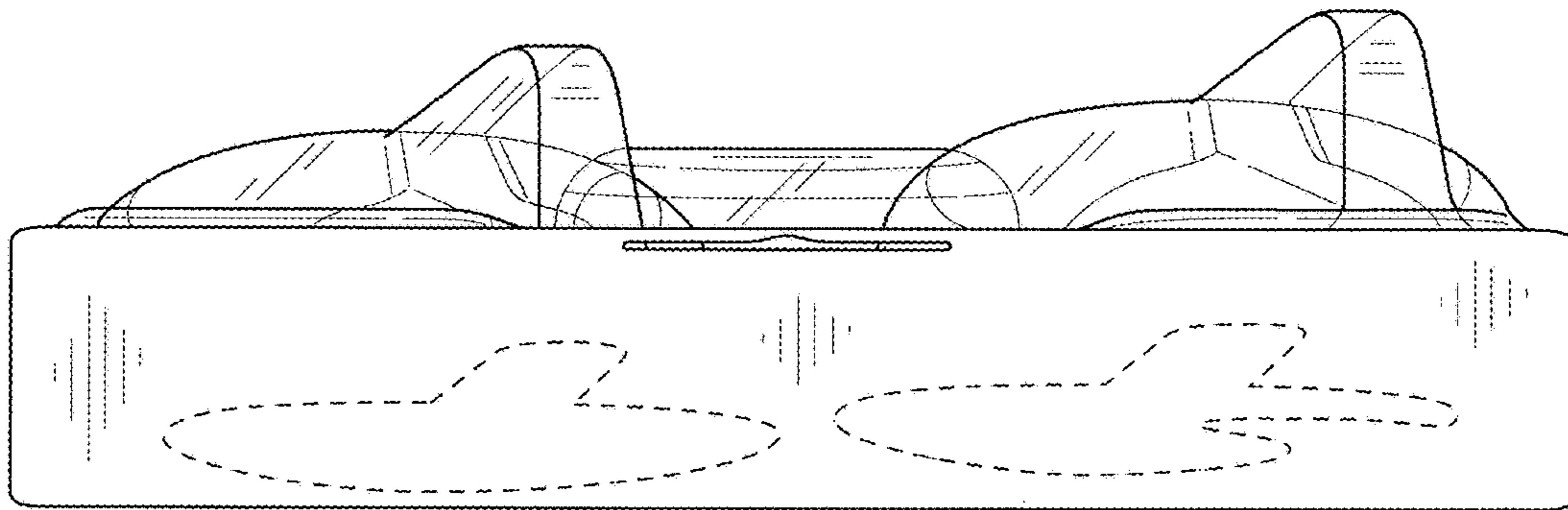


FIG. 6

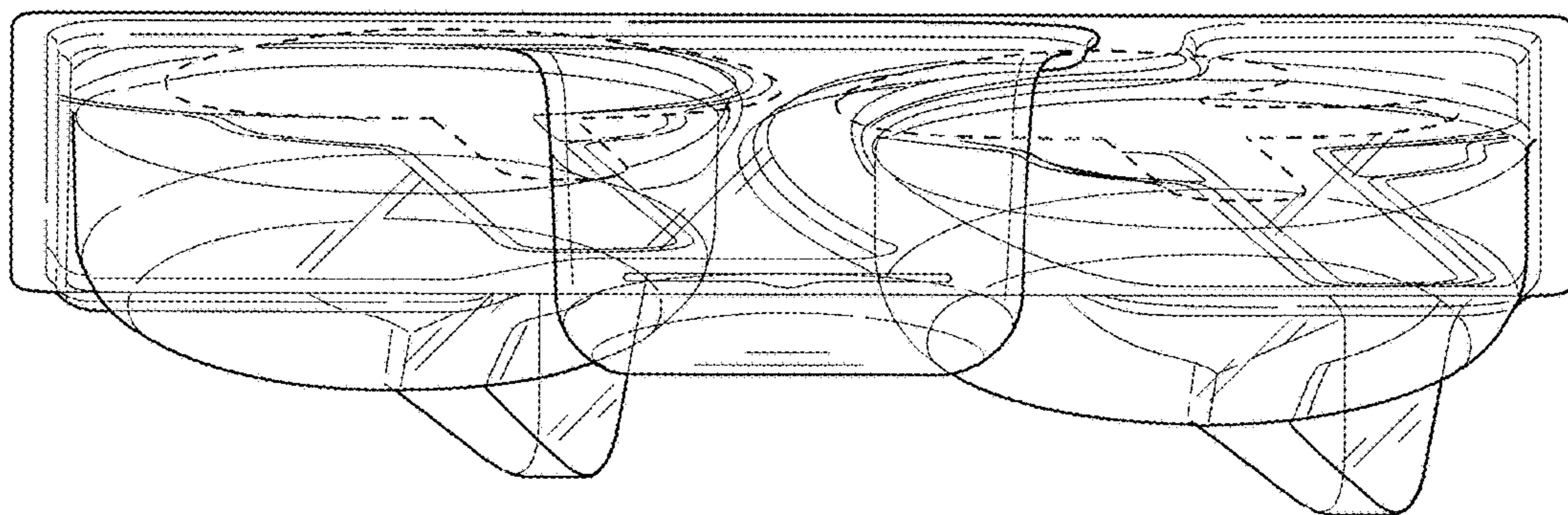


FIG. 7